


#54138, #54144

Bestway.



Lay-Z-Spa™

www.bestwaycorp.com

Visit Bestway YouTube channel 



S-S-004816

Lay-Z-Spa™

Owner's Manual

ENGLISH	P03
PORTUGUÊS	P16
ESPAÑOL	P29
DEUTSCH	P42
SUOMI	P55
NEDERLANDS	P68
ITALIANO	P81
FRANÇAIS	P94
ΕΛΛΗΝΙΚΑ	P107
РУССКИЙ	P120
POLSKI	P133
MAGYAR	P146
SVENSKT	P159

You Tube

Visit Bestway YouTube channel
Visite o canal da Bestway no YouTube
Visite el canal de YouTube de Bestway
Besuchen Sie den YouTube-Kanal von Bestway
Käy katsomassa Bestwayn YouTube-kanavaa
Bezoek het Bestway YouTube-kanaal
Visita il canale Bestway su YouTube
Visitez la chaîne YouTube de Bestway
ΕΠΙΣΚΕΦΤΕΙΤΕ ΤΟ ΚΑΝΑΛΙ ΤΗΣ Bestway ΣΤΟ YouTube
Посетите канал Bestway на YouTube
Odwiedź stronę Bestway na YouTube
Látogassa meg a Bestway YouTube-csatornáját
Besök Bestway YouTube kanal

CONTENTS

1. Safety Instructions	P3
2. Specifications	P6
3. Assembly	P8
4. Operation	P10
5. Maintenance	P12
6. Troubleshooting	P14
7. Warranty	P15



SAFETY INSTRUCTIONS

When installing and using this electrical equipment, basic safety precautions should always be followed, including the following:

IMPORTANT SAFETY INSTRUCTIONS - READ AND FOLLOW ALL INSTRUCTIONS.

WARNING:

- The spa must be supplied through an isolating transformer or supplied through a residual current device (RCD) having a rated residual operating current not exceeding 30mA.
- The pump must be tested before each use. To test, follow the instructions in the “Pump Test” section of this manual.
- If the supply cord is damaged, it must be replaced by the manufacturer, service agent or similarly qualified persons in order to avoid a hazard.
- To reduce the risk of electric shock, do not use extension cord to connect unit to electric supply; provide a properly located outlet.
- No part of the appliance is to be located above the bath during use.
- Parts containing live parts, except parts supplied with safety extra-low voltage not exceeding 12V, must be inaccessible to a person in spa pool; Parts incorporating electrical components, except remote control devices, must be located or fixed so that they cannot fall into the spa pool.
- The plug of pump shall be more than 3.5m away from the spa.
- It is necessary to have the plug accessible after installation of the spa.

CAUTION: In order to avoid a hazard due to inadvertent resetting of the thermal cut-out, this appliance must not be supplied through an external switching device, such as a timer, or connected to a circuit that is regularly switched on and off by the utility.

After using your spa for 3-5 years, you should contact your local qualified maintenance technician to ensure the safety and performance of the spa. The main components, such as heating element, air blower motor and non-return valves within the electric unit should be checked and replaced (if necessary) by professional persons.

Warning: Always keep plug dry, plug in with wet plug is definitely forbidden!

The spa must be supplied by earthed power source.

- **TO AVOID ELECTRIC SHOCK, DO NOT USE THE SPA WHEN IT IS RAINING.**
- Never wear your contact lenses when in your spa.
- Do not use spa during chemical maintenance.
- The power source on the wall of building should be more than 4m away from the pool and at a height of at least 1.2m.
- Extension cords cannot be used.
- Don't plug or unplug the appliance if your hands are wet.
- Always unplug the appliance:
 - on rainy days
 - before cleaning or other maintenance
 - if you leave it unattended on holidays
- Cleaning and user maintenance must be performed by an adult above 18 years old who is familiar with the risk of electric shock;
- When the appliance will be not used for a long time, such as in the winter, the spa or pool set should be disassembled and stored indoors.
- **Caution:** Read the instructions before using the appliance and every time you install or

- reassemble the appliance.
- Keep the instructions safe. If the instruction is missing, please contact the manufacturer or download a copy from www.bestwaycorp.com
- **Warning: For electric safety, a PRCD is incorporated in the power cord. If current leakage of more than 10mA is detected, the device will operate and cut off the power supply. In such a case, please unplug and stop using the spa at once. Don't reset the product by yourself. You must contact the local service agent to check and repair the product.**
- This appliance is not intended for use by persons (including children) with reduced physical, sensory or mental capabilities, or lack of experience and knowledge, unless they have been given supervision or instruction concerning use of the appliance by a person responsible for their safety. Children should be supervised to ensure that they do not play with the appliance. (For market other than EU)
- This appliance can be used by children aged from 8 years and above and persons with reduced physical, sensory or mental capabilities or lack of experience and knowledge if they have been given supervision or instruction concerning use of the appliance in a safe way and understand the hazards involved. Children shall not play with the appliance. Cleaning and user maintenance shall not be made by children without supervision. (For EU market)
- Water attracts children; always attach a spa cover after each use.
- Do not bury cord. Locate cord to minimize abuse from lawn mowers, hedge trimmers, and other equipment.
- Risk of Accidental Drowning. Extreme caution must be exercised to prevent unauthorized access by children. To avoid accidents, ensure that children can not use this spa unless they are supervised at all times.
- **RISK OF INJURY.** Never operate spa if inlet / outlet pipes are broken or missing. Never attempt to replace the inlet / outlet pipes. Always consult your local Aftersales Centre.
- **RISK OF ELECTRIC SHOCK.** Install at least 2m from all metal surfaces.
- **RISK OF ELECTRIC SHOCK.** Never operate any electrical appliance when in your spa or when your body is wet. Never place any electric appliance, such as a light, telephone, radio, or television, within 2m of spa.
- During pregnancy, soaking in hot water may cause damage to the fetus. Limit use to 10 minutes at a time.
- **TO REDUCE THE RISK OF INJURY:**
 - A. The water in a spa should never exceed 40°C (104°F). Water temperature between 38°C (100°F) and 40°C (104°F) is considered safe for a healthy adult. Lower water temperatures are recommended for young children and when spa use exceeds 10 minutes.
 - B. Since excessive water temperatures have a high potential for causing fetal damage during the early months of pregnancy, pregnant or possibly pregnant women should limit spa water temperature to 38°C (100°F).
 - C. Before entering a spa, the user should measure the water temperature with an accurate thermometer since the tolerance of water temperature regulating device varies.
 - D. The use of alcohol, drugs, or medication before or during spa use may lead to unconsciousness with the possibility of drowning.
 - E. Obese persons and persons with a history of heart disease, low or high blood pressure, circulatory system problems, or diabetes should consult a physician before using a spa.
 - F. Persons using medication should consult a physician before using a spa since some medication may induce drowsiness while other medication may affect heart rate, blood pressure, and circulation.
- **TO REDUCE THE RISK OF INJURY:** Never pour water with a temperature higher than 40°C (104°F) directly into the spa pool.
- The use of alcohol, drugs, or medication can greatly increase the risk of fatal hyperthermia. Hyperthermia occurs when the internal temperature of the body reaches a level that is several degrees above the normal body temperature of 37°C (98.6°F). The symptoms of hyperthermia include an increase in the internal temperature of the body, dizziness, lethargy, drowsiness, and fainting. The effects of hyperthermia include failure to perceive heat; failure to recognize the need to exit spa or hot tub; unawareness of impending hazard; fetal damage in pregnant women; physical inability to exit the spa or hot tub; and unconsciousness resulting in the danger of drowning.
- Electric installations should follow national wiring rules, consult a qualified electrician with any questions.

CONSULT YOUR PHYSICIAN FOR RECOMMENDATIONS.

CAUTION:

- The spa should not be setup or left out in temperature lower than 4°C (40°F).
- Do not use the spa alone.
- People with infectious diseases should not use a spa.
- Do not use the spa immediately following strenuous exercise.
- Always enter and exit the spa slowly and cautiously. Wet surfaces are slippery.
- To avoid damage to the pump, the spa must never be operated unless the spa is filled with water.
- Immediately leave spa if the user feels uncomfortable or sleepy.
- Never add water to chemicals. Always add chemicals to water to avoid strong fumes or violent reactions that may result in hazardous chemical spray.
- Regarding the information pertaining to cleaning, maintenance of water, and disposal of water, please see section "MAINTENANCE".
- Regarding the information pertaining to the installation, thanks to refer to the below paragraph of the manual.

NOTE:

- Please examine equipment before use. Notify Bestway at the customer service address listed on this manual for any damaged or missing parts at the time of purchase. Verify that the equipment components represent the models that you had intended to purchase.
- This product is not intended for commercial use.

WARNING FOR ELECTRIC AIR PUMP (For Palm Springs HydroJet):

The electric air pump is not a part of spa. You should refer to the user manual of electric air pump for safety.

Extension cord used for the air pump when inflating the pool is strictly forbidden to be used for the spa.

After inflation of the pool, the air pump, as well as extension cord must be disconnected from supply mains and stored indoor place.

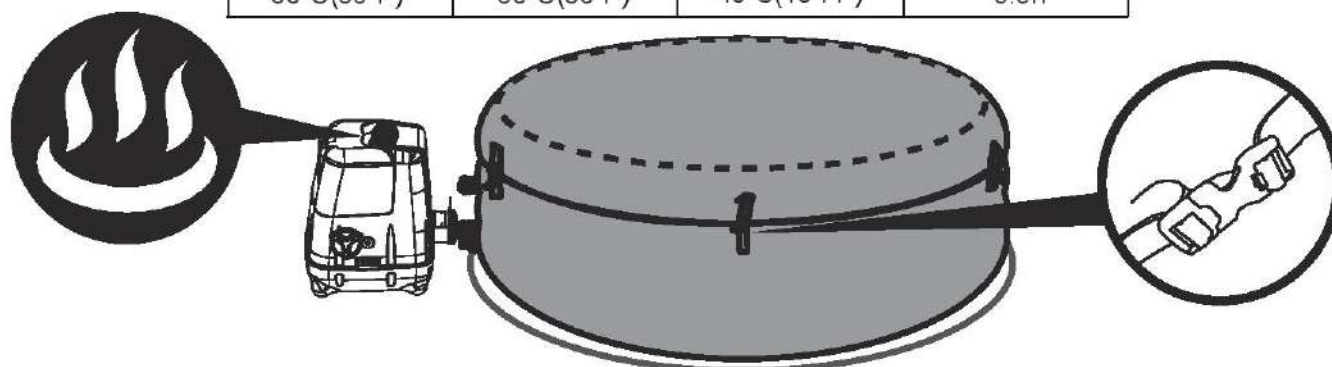
Motor run time should not exceed 20 minute

CAUTION: TO AVOID THE RISK OF ELECTRIC SHOCK, DO NOT EXPOSE TO WATER OR RAIN. FOR HOUSEHOLD USE ONLY.

SAVE THESE INSTRUCTIONS IMPORTANT !

To reach 40°C (104°F), the heating duration required is base on the starting water temperature and ambient temperature, the data below is purely for reference. To display the current water temperature, run the filter system for at least a minute.

Ambient Temperature	Water Temperature	Set Temperature	Heating Duration
10°C(50°F)	10°C(50°F)	40°C(104°F)	18.5h
15°C(59°F)	15°C(59°F)	40°C(104°F)	15h
20°C(68°F)	20°C(68°F)	40°C(104°F)	11.5h
25°C(77°F)	25°C(77°F)	40°C(104°F)	8.5h
30°C(86°F)	30°C(86°F)	40°C(104°F)	5.5h

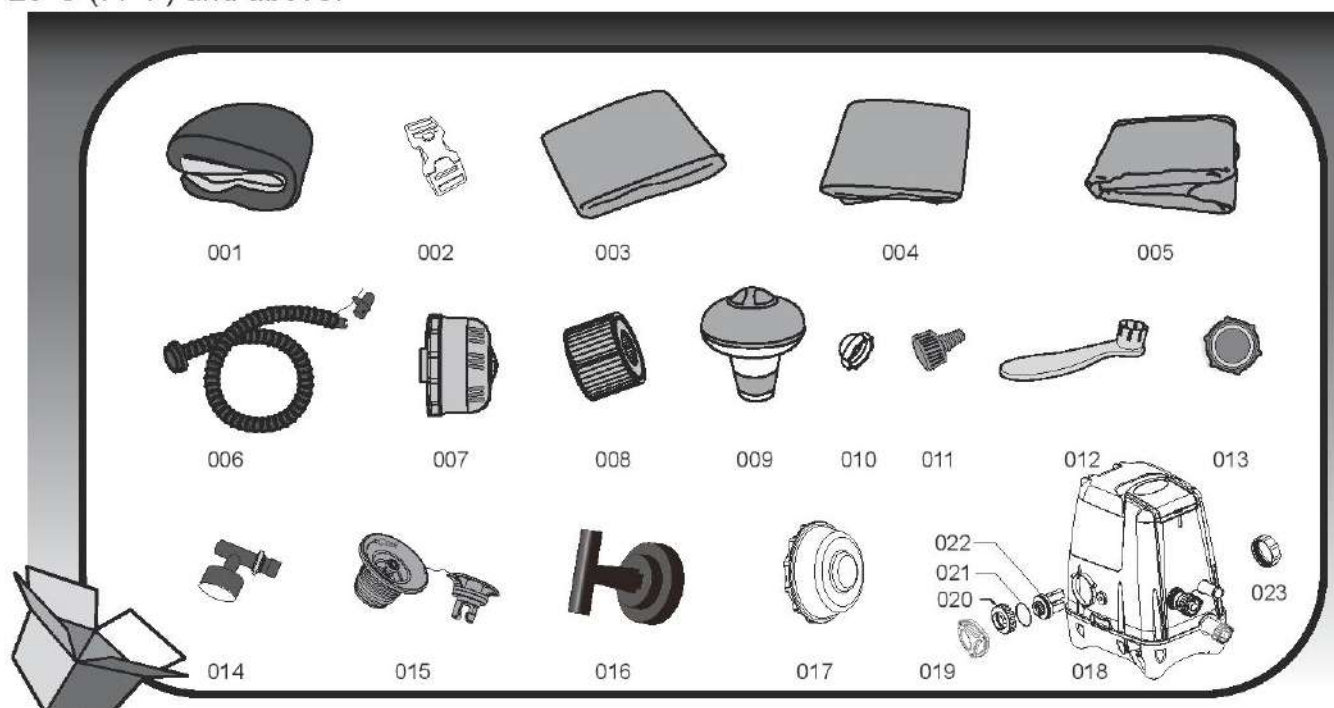


Be sure to cover the SPA with the SPA cover whenever the heating function is activated. Leaving the SPA uncovered will increase the heating duration required. Please do not use the SPA when ambient temperature is lower than 4°C (39°F).

SPECIFICATIONS FOR LAY-Z-SPA™ HAWAII HYDROJET PRO (#54138)

Capacity:	4-6 Adults	Massaging Turbo Blower:	800W	Jet Pump:	1200W
Water Capacity	795 L (210 gal)	Heat Element:	2,000W at 20°C	Actual Water Flow:	1,325 L/h (350 gal/h)
Inflated Size:	1.80m x 1.80m x 71cm (71" x 71" x 28")	Pump:	50W Circulation Filter Pump	Power Rate:	220-240V AC, 2060W at 20°C
Filled Weight:	867 kg (1,911 Lb)	Temperature Capacities:	40°C (104°F)	Working Pressure:	1.2PSI (0.08bar)
Increased Heat Rate:	Approximately 1.5-2°C/h (3-4°F/h)	Jet Nozzles:	8PCs	Saltwater System:	20W

NOTE: The above heating rate is in reference to a lab test with an ambient temperature of 25°C (77°F) and above.

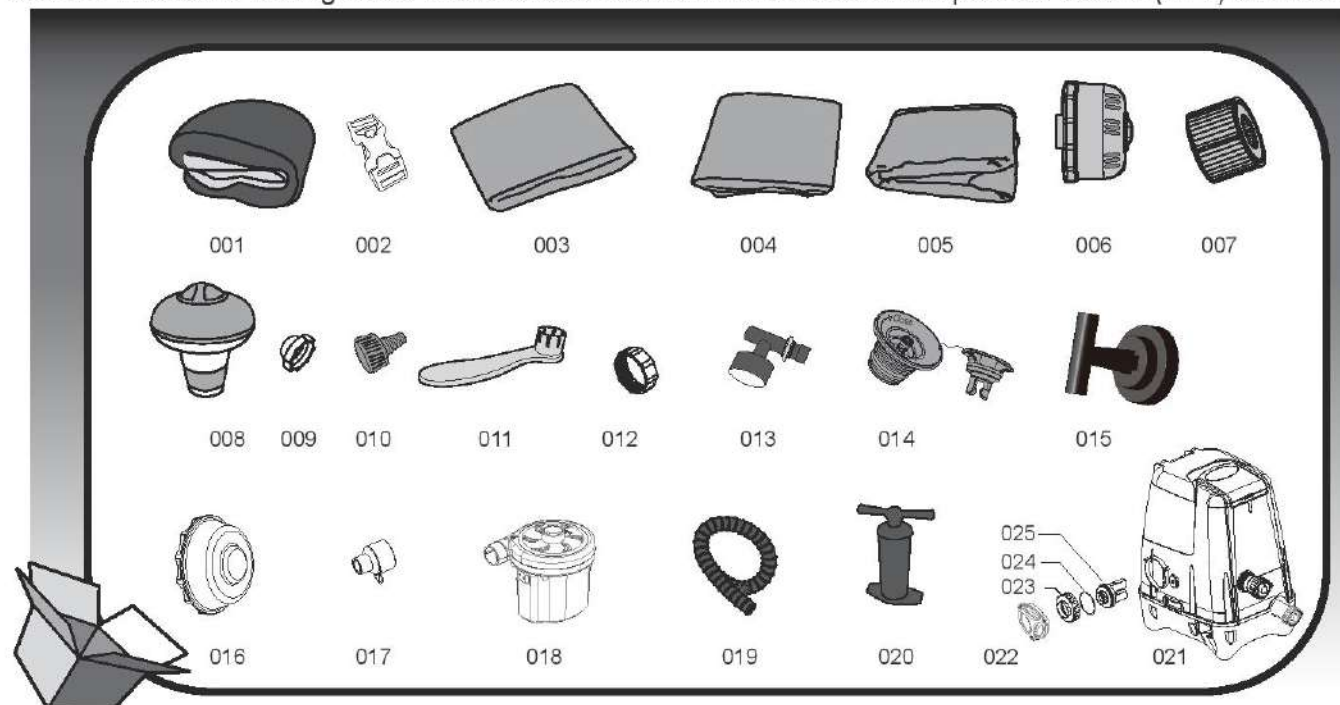


Part N.	Part Code	Description	QTY
001	54138TASS17	Pool Liner	1
002	F6414ASS16	Buckle	8
003	P5511GASS17	Leatheroid Cover	1
004	54138GASS17	Inflatable Cover	1
005	58371(H)S16	Ground Mat	1
006	P6930	Inflation Hose	1
007	P6653	Filter Set	1
008	58323	Filter Cartridge	2
009	58426S17	Chemical Floater	1
010	P6575	Stopper (For Filter Outlet)	1
011	P6H565	Hose Adapter	1
012	F6H189	Wrench (For Air Valve)	1
013	P6611	Cover Adapter A	1
014	P61199	Pressure Gauge	1
015	P6H971	Inflation Valve	1
016	P61385	Wrench (For Salt Chlorinator System)	1
017	P61290	Stopper (For Water Jet Inlet)	1
018	P4H125ASS17	Spa Pump	1
019	P61334	Cap	1
020	P61386	Electrolytic Cell Nut	1
021	P61388	Electrolytic Cell O-RING	1
022	P61387	Electrolytic Cell	1
023	P61587	Spa pool Stopper	2

SPECIFICATIONS FOR LAY-Z-SPA™ PALM SPRINGS HYDROJET (#54144)

Capacity:	4-6 Adults	Saltwater System:	20W	Jet Pump:	1200W
Water Capacity	795 L (210 gal)	Heat Element:	2,000W at 20°C	Actual Water Flow:	1,325 L/h (350 gal/h)
Inflated Size:	1.96m x 71cm (77" x 28")	Pump:	50W Circulation Filter Pump	Power Rate:	220-240V AC, 2060W at 20°C
Filled Weight:	864 kg (1,905 Lb)	Temperature Capacities:	40°C (104°F)	Working Pressure:	1.2PSI (0.08bar)
Increased Heat Rate:	Approximately 1.5-2°C/h (3-4°F/h)	Jet Nozzles:	8PCs	AC Air Pump:	110W

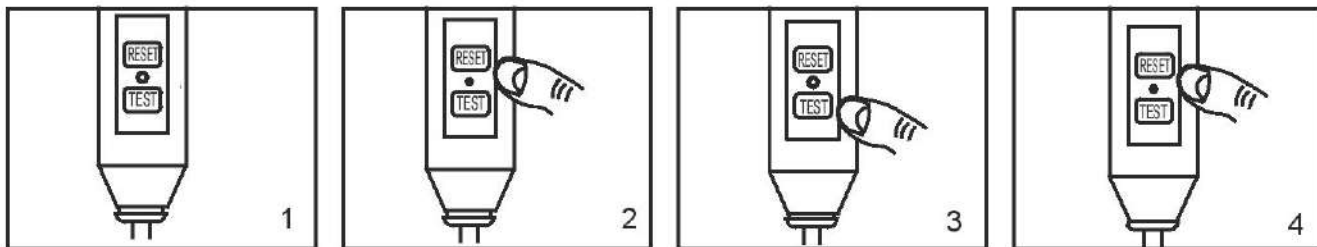
NOTE: The above heating rate is in reference to a lab test with an ambient temperature of 25°C (77°F) and above.



Part N.	Part Code	Description	QTY
001	54144TASS17	Pool Liner	1
002	F6414ASS16	Buckle	6
003	P5532GASS17	Leatheroid Cover	1
004	54144GASS17	Inflatable Cover	1
005	58321(H)S15	Ground Mat	1
006	P6653	Filter Set	1
007	58323	Filter Cartridge(VI)	2
008	58426S17	Chemical Floater	1
009	P6575	Stopper	1
010	P6H565	Hose Adapter	1
011	F6H189	Wrench (For Air Valve)	1
012	P61587	Spa pool Stopper	2
013	P61199	Pressure Gauge	1
014	P6H971	Inflation Valve	1
015	P61385	Wrench (For Salt Chlorinator System)	1
016	P61290	Stopper (For Water Jet Inlet)	1
017	P61330	AC Air PumpHose Adapter	1
018	P61329	AC Air Pump	1
019	P61327	Inflation Hose	1
020	P61326	Hand Pump	1
021	P4H127ASS17	Spa Pump	1
022	P61334	Cap	1
023	P61386	Electrolytic Cell Nut	1
024	P61388	Electrolytic Cell O-RING	1
025	P61387	Electrolytic Cell	1

Pump Test

PRCD Test



NOTE: Drawings for illustration purpose only. May not reflect actual product. Not to scale.

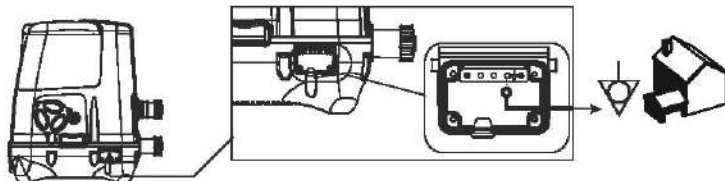
1. Insert the plug.
2. Press the "RESET" button, the indicator light turns on.
3. Press the "TEST" button, the indicator light turns off.
4. Press the "RESET" button, the indicator light turns on.
5. Press the "On/Off" button for 2 seconds, your pump is ready to use.



WARNING: The PRCD plug must be tested before each use to avoid risk of electric shock.

WARNING: Before inserting plug into a power outlet, make sure the current rate of the power outlet is suitable for the pump.

WARNING: Do not use the pump if this test fails and contact our Aftersales Service.



SPA PUMP EQUIPOTENTIAL BONDING TERMINAL

It is recommended to arrange for a qualified electrician to connect the spa pump to an equipotential bonding terminal using a minimum 2.5mm² solid copper conductor.

ASSEMBLY

WARNING: The selected location has to be able to support of supporting the expected load.

WARNING: An adequate drainage system has to be provided to deal with overflow water for both indoor and outdoor installations.

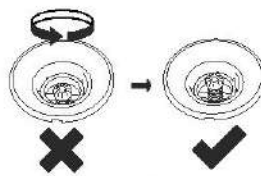
NOTE: Only the Hydro-Jet Pro spa has the Lay-Z-Massage system button. When inflating, you will notice that air will be expelled from the area where the air hose connects to the pump, this is normal and prevents damage due to over-inflation.

NOTE: Do not use an air compressor to inflate the pool.

NOTE: Do not drag the pool on rough ground as this may cause damage to the pool liner.

NOTE: Inflation time is for reference only.

NOTE: Pressure gauge is for inflation purpose only, and the value shown by the pressure gauge is just for reference. It should not be used as a precision instrument.

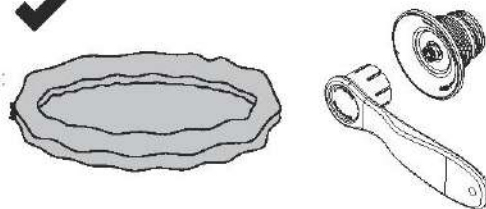


Air Valve Check

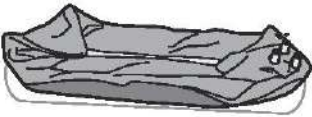
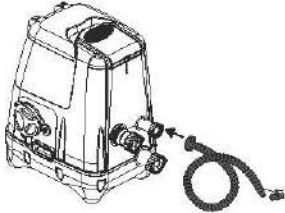
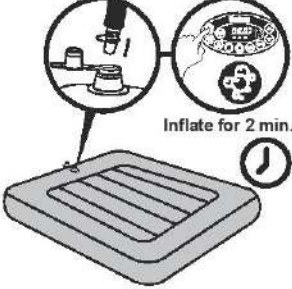

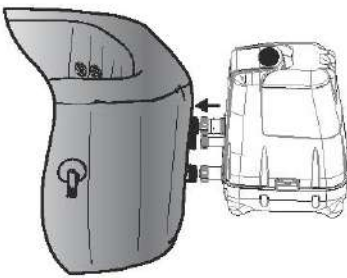
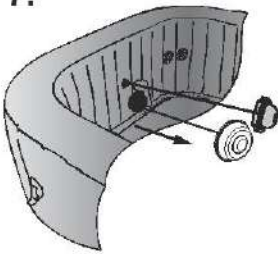
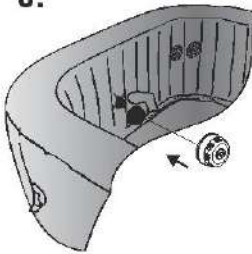
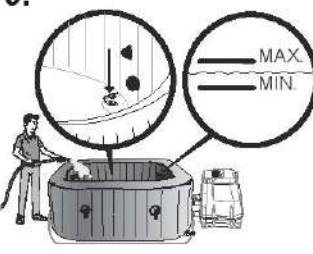

Always check the air valve carefully before inflation to ensure there is not an air leak. If the air valve is loose, use the provided wrench to fasten the air valve following these steps: With one hand, hold the backside of the air valve from the inner side of the spa wall and turn the wrench clockwise.

NOTE:

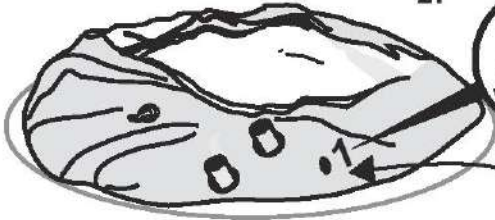
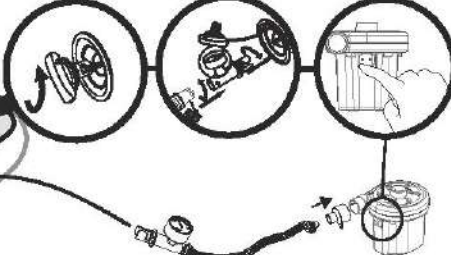
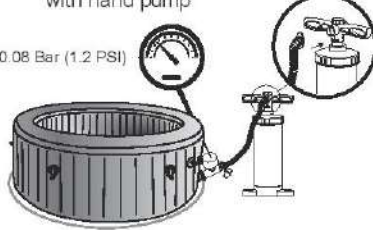

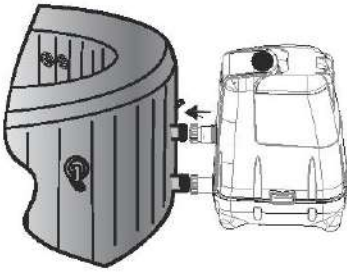
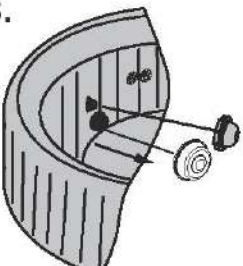
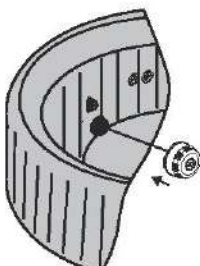
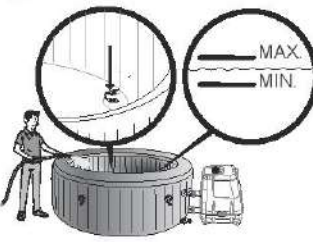

1. Do not over tighten.
2. Do not adjust the air valve connector when the spa is in use.



ASSEMBLY FOR HAWAII HYDROJET PRO (#54138)

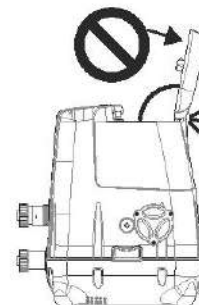
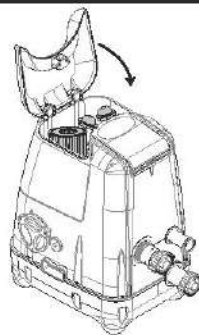
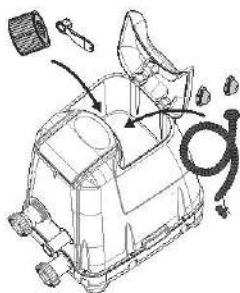
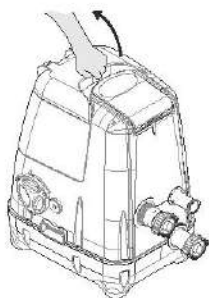
<p>1.</p> 	<p>2.</p> 	<p>3.</p> <p>0.08 Bar (1.2 PSI)</p> <p>Press for 2 seconds.</p> <p>Inflate for 5 min.</p> <p>3 seconds to unlock</p> <p>To Stop inflation.</p>	
<p>4.</p>  <p>Inflate for 2 min.</p>	<p>5.</p> 	<p>6.</p> 	
<p>7.</p> 	<p>8.</p> 	<p>9.</p>  <p>MAX.</p> <p>MIN.</p>	<p>10.</p> 

ASSEMBLY FOR PALM SPRINGS HYDROJET (#54144)

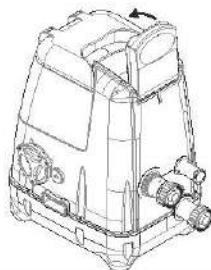
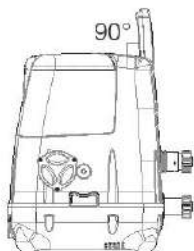
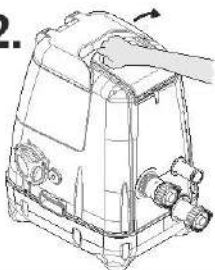
<p>1.</p> 	<p>2.</p> 	<p>Pre-Inflate for 7 min.</p> <p>Note: Motor run time should not exceed 20 minutes.</p>	
<p>3. Continue to inflate the spa pool with hand pump</p> <p>0.08 Bar (1.2 PSI)</p> 	<p>4.</p>  <p>Inflate for 3 min.</p>	<p>5.</p> 	
<p>6.</p> 	<p>7.</p> 	<p>8.</p>  <p>MAX.</p> <p>MIN.</p>	<p>9.</p> 

OPERATION

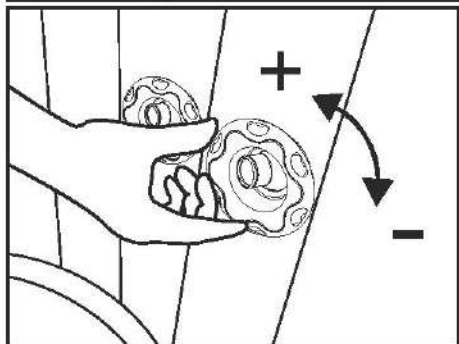
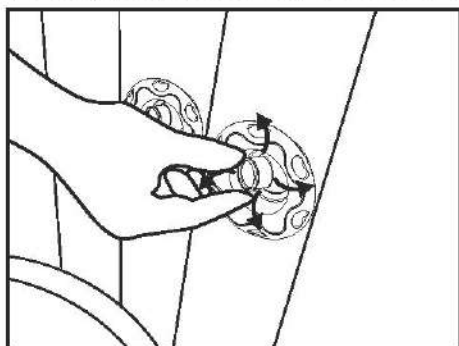
1.



2.



3. Adjustment of Jet Nozzle 4. Instruction of Salt Chlorinator System



NOTE: To use the Salt Chlorinator System, add salt to the water following the steps below.

- (1). Turn on the HydroJet System to start the water circulation.
- (2). Keep the Salt Chlorinator System turned off.
- (3). Add 4.4 lbs / 2 kg of salt into the spa pool gradually, use only sodium chloride (NaCl) salt that is at least 99.9% pure or water conditioning salt pellets (the compressed forms of evaporated salt - it will take longer to dissolve). Keep HydroJet System running for 5 min.
- (4). When all the salt is dissolved, turn on the Salt Chlorinator System and set the working duration (refer to Salt Chlorinator System Button instruction).

NOTE: Attach the spa cover during the Salt Chlorinating process.

E11 Add Salt if Salt Level is too low

If not enough salt has been added, the panel displays an "E11" error code.

- (1). Unplug the spa and plug it back in, then press "Reset".
- (2). Turn on the HydroJet System.
- (3). Gradually add and dissolve 1.1 lbs/0.5 kg of salt.
- (4). Start the Salt Chlorinator System.
- (5). If the "E11" Code remains, follow the above steps until the "E11" error code disappears.

E10 Remove Salt if Salt level is too high

If too much salt has been added, the panel displays an "E10" error code.

- (1). Unplug the spa.
- (2). Drain and refill approximately 20% of the water.
- (3). Start the Salt Chlorinator System.
- (4). If the "E10" Code remains, follow the above steps until the "E10" alarm disappears.

5. Heating Reset

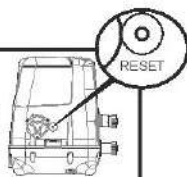
When using the Lay-Z-Spa for the first time, or after a long period of inactivity, be sure to press the reset button on the pump using a small and thin object.

RESET BUTTON

IMPORTANT INSTRUCTIONS FOR USE

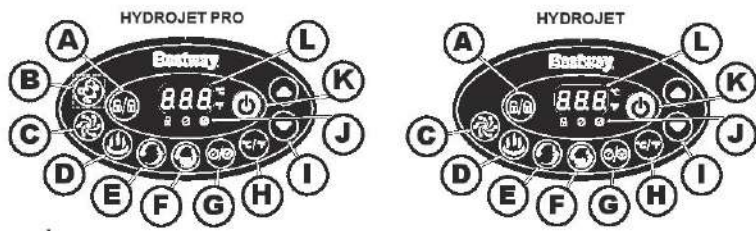
If the temperature on the control panel (or the water temperature) has not changed 4-5 hours after activation of the heating system, use a thin object to press the RESET BUTTON and restart the heating system.

IMPORTANT: The heating System will not operate if the outside temperature is above 40°C (104°F) or if the Lay-Z-Spa is under direct sunlight. Under these conditions, please wait until a cooler time of day before pressing the RESET BUTTON with a thin object and restart the heating System. This operation must be repeat everytime when the pump is under above conditions.



- A Lock/Unlock Button**
The pump has a 5-minute auto-lock. The LED light will dim out when the pump is locked (no function is activated). To lock or unlock the pump, place a finger over the lock/unlock button for 3 seconds.
- B Lay-Z-Massage System Button (For Hydro-Jet Pro)**
Use this button to activate the massage system, which has a 30-minute auto-shutoff feature.
The light above the Lay-Z-Massage system button displays red when activated.
IMPORTANT: Do not run the Lay-Z-Massage system when the cover is attached. Air can accumulate inside the spa and cause irreparable damage to the cover and bodily harm.
NOTE: Heat and massage system work together to create a warm massage experience.

- C HydroJet System Button**
This button turns the water pump on and off.
The light above the HydroJet system button displays red when activated.
Note: The system will shut off automatically after 1 hour.
Note: Do not dry run the HydroJet System.
- D Heat Button**
Use this button to activate the heating system. When the light above the heat button is red, the heating system is activated. When the light is green, the water is at the set temperature and the heating system is at rest.
NOTE: If the heating system is activated, the filtration system will automatically start.
NOTE: After turning off the heating system, the filtration system will continue to operate.
- E Water Filter Button**
This button turns the filter pump on and off.
The light above the Water Filter Button displays red when activated.
NOTE: The built-in hard water treatment function works automatically.
- F Salt Chlorinator System Button**
Use this button to turn on the Salt Chlorinator System and set the working duration. You can set the working duration from 3 hours to 5 hours to 8 hours by pushing the Salt Chlorinator System Button. After setting the working duration, the Salt Chlorinator System will start to work automatically.
NOTE: Do not press any buttons on the panel and attach the SPA cover during the chlorinating process. You can re-adjust the working duration by pushing the Salt Chlorinator System Button.
NOTE: Test the water regularly and make sure the free chlorine level is between 2-4 ppm.
- G INSTRUCTIONS FOR Power-Saving Timer Button**
This is a newly added function, designed to help avoid wasting power by setting the time and duration of the heating cycle for the spa.
This way, you can enjoy your spa at the time you desire, without needing to leave the heater on at all times.
- STEP 1: Set the heating duration**
1. Press the button until the LED starts to flash.
2. Press the or button to adjust the heating duration (From 1-48 hours).
3. Press the button again to confirm the heating duration.
- STEP 2: Set the number of hours FROM NOW when the heater will activate**
1. After setting the heating duration, the LED starts to flash.
2. Press the or button to adjust the hours until time of activation (From 0-99 hours).
3. Press button again or simply touch nothing for 10 seconds to confirm the setting. The LED will light steadily, and the countdown to heater activation will begin.
- To modify the timer settings:** Press the button and use the or button to adjust.
Cancel the setting: Press the button for 2 seconds.



- NOTE:** After setting, the screen flashes the current temperature and time alternately.
NOTE: Timer adjustment (amount of time with the heater ON) may be set from 1 to 48 hours; Reservation time adjustment (the number of hours FROM NOW when the heater will begin to function) may be set from 0 to 99 hours. If the timer is set at 0 hour, it means the Timer function is not set.
Note: that the timer is one time per use - the user sets the duration of the heating cycle, and how many hours from now the heating cycle begins. The timer does NOT repeat until reset.
- H Celsius/Fahrenheit Toggle**
 The temperature can be displayed in either Celsius or Fahrenheit.
- I Temperature Adjustment Buttons**
 Pressing the Temperature Increase or Decrease buttons will cause the LED to flash. When it is flashing you can adjust to the desired temperature setting. If you hold these buttons down, the values will rapidly increase or decrease. The new and desired temperature setting will remain on the LED display for 3 seconds to confirm the new value.
NOTE: The default temperature is 35°C (95°F).
NOTE: Temperature adjustment ranges from 20°C (68°F) to 40°C (104°F).
- J Power-Saving Timer LED**
 This LED flashing means you are setting the heating duration. The light will be on when the heating function starts to work.
 This LED flashing means you are setting the number of hours FROM NOW when the heater will activate. When the light is on, the Power-Saving Timer function is set.
- K On/Off Button**
 Press this button for 2 seconds to activate the control panel buttons and the light turns to green.
 Press this button for 2 seconds to turn off all currently activated functions.
- L LED Display**
 Once powered up, the LED displays the current water temperature automatically.
 After 72 hours of filtration (without using the power saving timer function), the pump will hibernate and flash "End" with the current water temperature. When the pump is hibernating both the heating and water filter functions are disabled. To re-activate the pump press lock/unlock button for 3 seconds.
NOTE: The water heat rate may change in the below conditions:
- When the outdoor temperature is below 15°C (59°F).
- If the cover is not in position when the heating function is activated.
NOTE: To display the current water temperature, run the filter system for at least a minute. The water temperature as tested by an external thermometer may vary from the temperature as displayed on the spa panel due to the differing positions of the measurement devices.

Alarms

Causes	Reasons	Solutions
The water flow sensors work without pressing the filter or heat button.	1. The water flow sensor flags didn't fall back into the correct position. 2. The water flow sensors are broken.	1. Unplug the pump, strike the side of the pump firmly (but not violently), and plug it back in. 2. Contact your local Bestway Aftersales Service Center for instructions.
After starting or during the functions of filtering or/and heating, the water flow sensors do not detect water flow.	1. You forgot to remove the 2 stopper caps from inside the pool. 2. The filter cartridges are dirty. 3. Activate the filter or heat system and put your hand in front of the outlet pipe inside the pool to check if you can feel water flowing out. a. If no water flows out the water pump is broken. b. Water flows out but the alarm appears, the water flow sensors are broken.	1. Remove the two stopper caps before starting the heating system. Refer to the Assembly section in the User's Manual. 2. Remove the filter set from inside the pool and push the filter or heat button. If no alarm appears, clean or change the filter cartridges and re-install the filter set inside the pool. 3. Contact your local Bestway Aftersales Service Center for instructions.
The pump's thermometer reads the water temperature below 4°C (40°F).	1. The water temperature is lower than 4°C (40°F). 2. If the water temperature is higher than 7°C (44.6°F), the pump's thermometer is broken.	1. The spa is not designed to operate with water temperatures lower than 4°C (40°F). Unplug the pump and only re-start the pump when the water temperature reaches 6°C (43°F). 2. Contact your local Bestway Aftersales Service Center for instructions.
The pump's thermometer reads the water temperature over 50°C (122°F).	1. The water temperature is over 50°C (122°F). 2. If the water temperature is lower than 45°C (113°F), the pump's thermometer is broken.	1. The spa is not designed to operate with water temperatures greater than 40°C (104°F). Unplug the pump and only re-start the pump when the water temperature reaches 38°C (100°F) or lower. IMPORTANT: Before you re-start the pump, push the pump's reset button. 2. Contact your local Bestway Aftersales Service Center for instructions.
The pump's thermometer connections have issues.	1. The pump's thermometer connectors are not working properly. 2. The pump's thermometer is broken.	Contact your local Bestway Aftersales Service Center for instructions.
The manual reset thermal cut-out has a problem.	The manual reset thermal cut-out has been tripped.	1. Unplug the pump and push the reset button, then plug the pump back in. 2. In case the alarm still remains, check the RESET BUTTON section in manual. 3. Contact your local Bestway Aftersales Service Center for instructions.
104°C (219°F) Fuse fault.	The fuse is disconnected.	Contact your local Bestway Aftersales Service Center for instructions.
High salt alarm.	Too much salt has been added or too much water has evaporated.	1. Follow the instructions in operation part to remove the salt. 2. Contact your local Bestway Aftersales Service Center for instructions.
Low salt alarm.	Not enough salt for sanitizing.	1. Follow the instructions in operation part to add salt in the water. 2. Contact your local Bestway Aftersales Service Center for instructions.
Water leakage inside the pump.	The system has detected some water leakage inside the pump.	Contact your local Bestway Aftersales Service Center for instructions.
Signal line disconnected.	The signal line between control panel and power board is not well connected.	Contact your local Bestway Aftersales Service Center for instructions.

MAINTENANCE

NOTE: Your spa will require additional air to be added from time to time. Changes in temperature from day to night will change the pressure in the spa and may cause a certain amount of deflation. Please follow the Assembly instructions and drain the spa before inflating to the accurate pressure needed.

CAUTION: YOU MUST ENSURE THE PUMP IS UNPLUGGED BEFORE BEGINNING SPA MAINTENANCE.

Filter Cartridge Maintenance

NOTE: To ensure your spa water stays clean, check and clean your filter cartridges every day - follow the steps below.



NOTE: We recommend changing your filter cartridges every week. If the filter cartridges remain soiled and discolored they should be replaced.

Water Maintenance

To keep your SPA water clean, chemical balance is necessary. Merely cleaning the filter cartridge is not sufficient for this purpose. Please refer to either of below recommendations:



1. Use the built-in Salt Chlorinator System regularly. The salty water is passed through the chlorinator's electrolytic cell to produce chlorine which is dissolved instantly in the water. The chlorine immediately starts to destroy bacteria, algae and oxidize other organic materials.

The first time you use it, we suggest you set the operation time at 8 hours with fresh water and use a test strip to make sure the Free Chlorine is between 2-4ppm. Increase the operation time if the water temperature is high or if the SPA is uncovered, use the Chlorinator System every 24 hours if the SPA is in use, the operation time depends on the test results and how often you use the SPA.

NOTE: Test the Free Chlorine concentration twice a day when you first use the Chlorinator System. When the Free Chlorine concentration becomes stable, test once a week to make sure the Free Chlorine is between 2-4 ppm.

NOTE: Do not use the SPA when the Free Chlorine concentration is higher than 4 ppm.

2. Use pool chemicals to maintain water chemistry-dispense chlorine or bromine tablets (do not use granules) with the chemical floater.

Using chemical tablets (not included)

(Reference: Trichlorinated isocyanuric acid 3-6g)



Using chemical liquid (not included)

(Refer to the instructions of the liquid chemicals purchased)



The water should be changed about every 3 days or longer with proper chemical maintenance. Water quality is influenced by frequency of use, persons using the spa and general maintenance.

NOTE: We recommend you take a shower before using your Lay-Z-Spa. Cosmetic products, lotions, and other residues on the skin can quickly degrade water quality.

NOTE: Remove the chemical floater from the spa when the spa is in use.

IMPORTANT: After performing chemical maintenance and before using the spa, use a test kit (not included) to test the water chemistry.

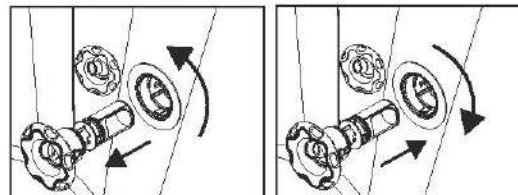
We recommend maintaining your water as per the table below.

pH	Total Alkalinity	Free Chlorine
7.4-7.6	80-120 ppm	2-4 ppm

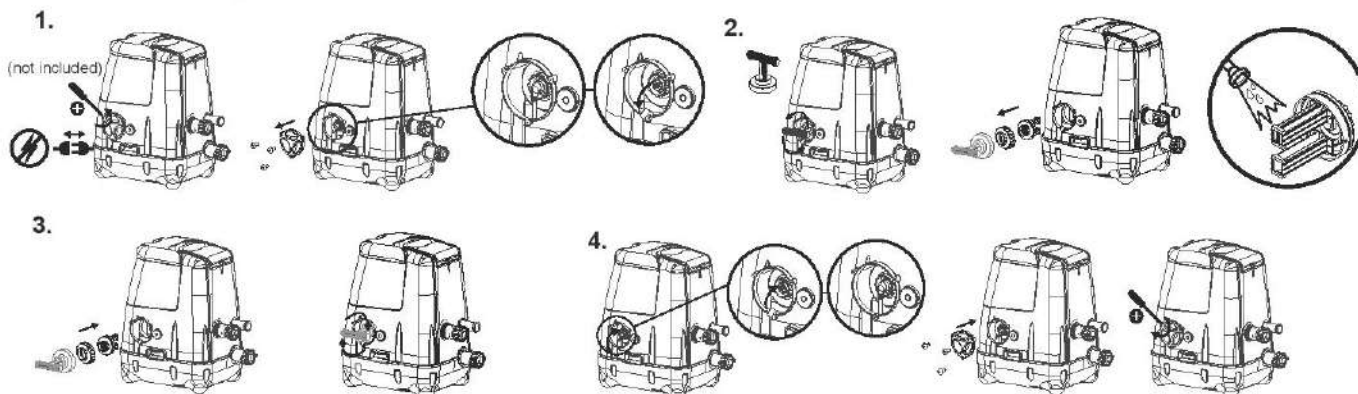
NOTE: Damage resulting from chemical imbalance is not covered by the warranty. Pool chemicals are potentially toxic and should be handled with care. There are serious health risks from chemical vapors and the incorrect labeling and storage of chemical containers. Please consult your local pool supply retailer for more information about chemical maintenance. Pay close attention to the chemical manufacturer's instructions. Spa damage resulting from misuse of chemicals and mismanagement of spa water is not covered by the warranty.

Jet Nozzle Maintenance

1. Twist until hearing a "click" sound, and pull out the Jet Nozzle to clean the debris.
2. Insert and twist clockwise to put it back.



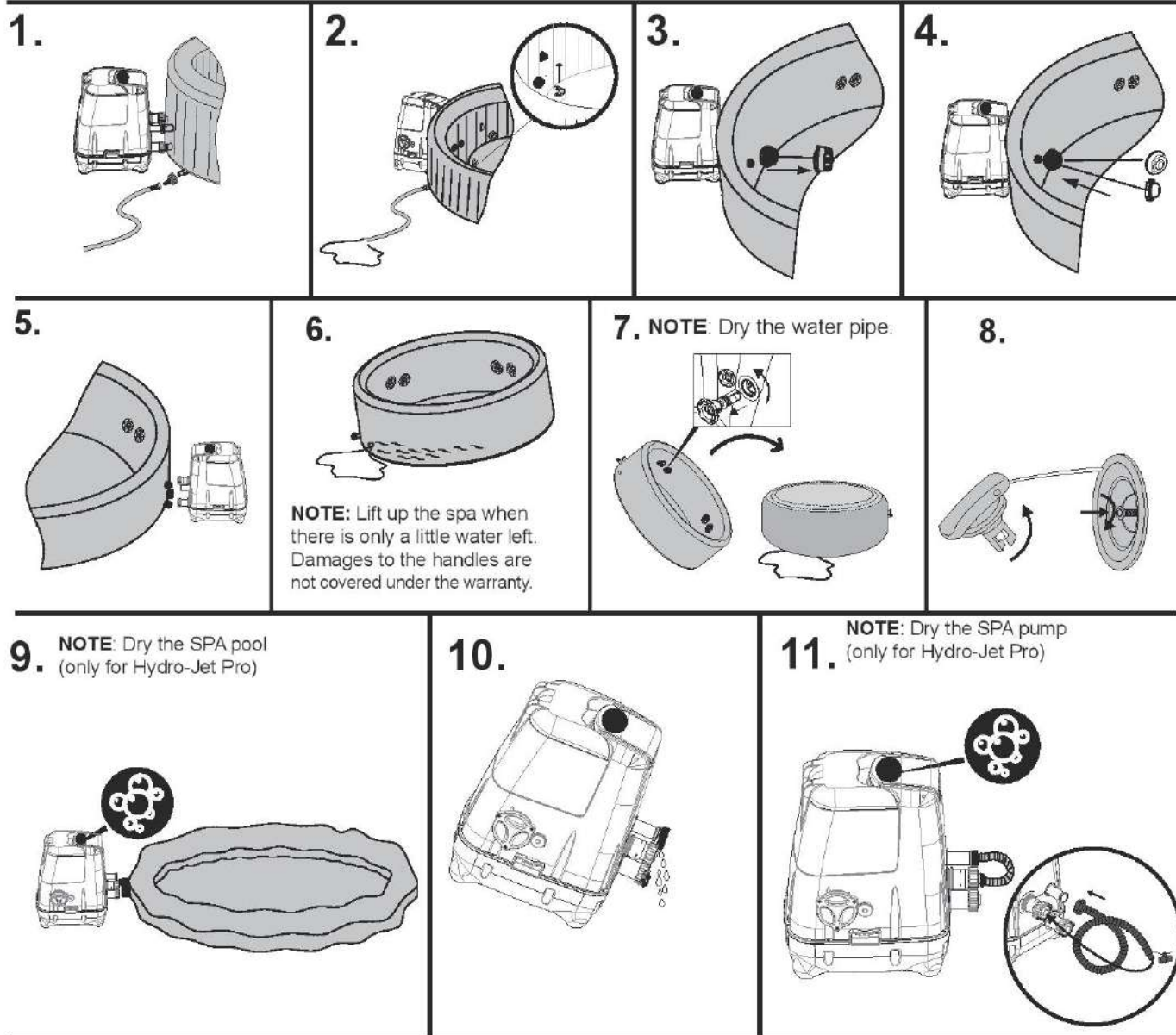
Salt Chlorinator System Maintenance



NOTE: If the deposits remain after washing, place the electrolytic cell in a container, pour kitchen grade vinegar into the container to soak the titanium plate for about 4 hours and then wash again. Repeat the operation if necessary.

Draining the Spa

NOTE: Drawings for illustration purposes only. May not reflect actual product. Not to scale.



Cleaning the spa Detergent residues and dissolved solids from bathing suits and chemicals may build up on the spa walls. Use soap and water to clean the walls and rinse thoroughly.

NOTE: DO NOT use hard brushes or abrasive cleaners.

Spa Repair

For Spa inflatable cover

If the spa is torn or punctured, use the provided heavy-duty repair patch.

1. Clean area to be repaired.
2. Carefully peel patch.
3. Press patch over area to be repaired.
4. Wait 30 minutes before inflation.

For Spa Liner

If the spa is torn or punctured, use the provided PVC repair patch and glue (not included) following these steps:

1. Clean and dry the area to be repaired.
2. Cut the provided PVC patch to appropriate size.
3. Use glue (not included) to coat the one side of the newly cut patch. Make sure the glue is evenly distributed.
4. Wait for 30 seconds and then place the cut patch with glue over the damaged area.
5. Smooth out any bubbles of air that may be trapped underneath, and press firmly for two minutes.
6. Wait 30 minutes before inflation.
7. The product is once again ready for use. Repeat this process should further leaks occur.

Lay-Z-Spa Storage



Before storing, make sure the spa and pump are completely dry. This is essential to extend the life of the spa. We recommend using the pump to blow dry the spa, pump and pipes. Remove the filter sets and discard the used filter cartridges. Re-attach the two stopper caps onto the spa's inlet and outlet valves. It is recommended you store the spa in its original package in a warm dry place.

NOTE: Plastic becomes brittle and susceptible to breaking when exposed to sub-zero temperatures. Freezing can severely damage the spa. Improper winterization of your spa can void your warranty.



Meaning of crossed-out wheeled dustbin symbol: Do not dispose of electrical appliances as unsorted municipal waste, use separate collection facilities. Contact your local government for information regarding the collection systems available. If electrical appliances are disposed of in landfills or dumps, hazardous substances can leak into the groundwater and get into the food chain, damaging your health and well-being. When replacing old appliances with new ones, the retailer is legally obligated to take back your old appliance for disposals at least free of charge.

TROUBLESHOOTING Bestway strives to provide the most trouble-free spas on the market. If you experience any problems whatsoever, do not hesitate to contact Bestway or your authorized dealer. Here are some helpful tips to help you to diagnose and rectify some common sources of trouble.

Problems	Probable Causes	Solutions
Pump does not operate	<ul style="list-style-type: none"> - Power failure - Power circuits broken 	<ul style="list-style-type: none"> - Check power source - Contact your local Bestway Aftersales Service Center for instructions
Pump does not heat properly	<ul style="list-style-type: none"> - Temperature set too low - Dirty filter cartridge - The thermal cut-out cuts off - The heating element has failed 	<ul style="list-style-type: none"> - Set the heating system to a higher temperature (refer to Pump Operation section) - Clean/replace the Filter Cartridge (refer to Filter Cartridge Cleaning and Replacement section) - Press the Reset button on the pump (refer to Pump Operation section) - Contact your local Bestway Aftersales Service Center for instructions
Lay-Z-Massage System does not work	<ul style="list-style-type: none"> - Air Pump is overheating - The Lay-Z-Spa Massage system stops automatically - Air pump is broken 	<ul style="list-style-type: none"> - Unplug the pump and wait two hours until the pump has cooled. Insert the plug and press the Lay-Z-Massage system button - Press the Lay-Z-Massage system button to reactivate - Contact your local Bestway Aftersales Service Center for instructions
Pump adapters are not level with the spa adapters	<ul style="list-style-type: none"> - One characteristic of PVC is that it changes shape, which is normal 	<ul style="list-style-type: none"> - Elevate the pump with wood or another type of insulated material to bring the pump's adapters level with the spa's adapters
Spa pool leakage	<ul style="list-style-type: none"> - Spa is torn or punctured - Air valve is loose 	<ul style="list-style-type: none"> - Use provided repair patch - Using soapy water, cover the air-valve to check if air is leaking, if so, use the provided wrench to fasten the air-valve following these steps: <ol style="list-style-type: none"> 1. Deflate the SPA. 2. With one hand, hold the backside of the air valve from the inner side of the spa wall and turn the wrench clockwise.
Water is not clean	<ul style="list-style-type: none"> - Insufficient filtering time - Dirty Filter Cartridge - Improper water maintenance - Sanitary system is not working - The titanium plate was coated - Not enough sanitizing time 	<ul style="list-style-type: none"> - Increase filtration time - Clean/replace the Filter Cartridge (refer to Filter Cartridge Cleaning and Replacement section) - Refer to the chemical manufacturer's instructions - Check the power supply or contact your local Bestway Aftersales Service Center for instructions - Clean the titanium plate (refer to Salt Chlorinator System Maintenance section)
PRCD test failed	There is a defect in your spa	Contact your local Bestway Aftersales Service Center and return the SPA
HydroJet System does not work	<ul style="list-style-type: none"> - Water pump is overheating - Water pump is broken 	<ul style="list-style-type: none"> - Unplug the pump and wait for two hours until the pump has cooled. Plug in and try again - Contact your local Bestway Aftersales Service Center for instructions
Control panel not working	<ul style="list-style-type: none"> - The control panel has an auto-lock, which is activated after 5 minutes of inactivity. The LED display has one icon: . If the lock icon is highlighted, the control panel is locked - Control panel is not activated 	<ul style="list-style-type: none"> - To unlock the control panel, press the  button for 3 seconds. If the control panel will not unlock, restart the pump – unplug and plug in the pump. - Press the on/off button for 2 seconds. If the problem persists, please contact your local Bestway Aftersales Service Center for instructions.
What kind of chemicals should be used for water maintenance?	Please consult your local chemical supplier for information about chemical maintenance. Pay close attention to the chemical manufacturer's instructions.	
Water leaks from the adapters between the pump and spa	Insert the three stopper caps on to the spa's ports to prevent water from escaping and disconnect the pump. Check and make sure the seals are placed correctly inside the pump adapters. If the seals are missing or not installed correctly, please contact your local Bestway Aftersales Service Center for instructions. If the seals are correctly in place, reconnect the pump to the spa and hand-tighten the adapters.	

Limited BESTWAY® Manufacturer's Warranty

The product you have purchased comes with a limited warranty. Bestway® stands behind our quality guarantee and assures, through a replacement warranty, your product will be free from manufacturer's defects.

To enact a warranty claim, this form must be completed and submitted with a copy of your receipt/purchase to your local Bestway After Sales Center. Please contact your local Bestway After Sales Center before sending any document. They will provide full instructions of what is needed for your claim. Bestway® will not replace any products deemed to have been damaged due to negligence or having been used outside of the owner's manual guidelines.

Bestway's warranty covers manufacturing defects discovered while unpacking the product or during use as recommended within the user manual. This warranty applies only to product which have not been modified by any 3rd parties. The product must be stored and handled in accordance with the technical recommendations.

The warranty does not cover damages caused by misuse, abuse, neglect, including, but not limited to collision, fire, use of incorrect voltage, excessive heat exposure, improper installation, improper wiring or testing, improper storage.

Replacements and repairs don't extend the duration of the warranty. The warranty start date is the date of sale shown on the original receipt/purchase invoice.

Please choose your Spa



Palm Springs



Hawaii

TO: Bestway® Service Department

Date of purchase: _____

Date: _____

Customer Code Number: _____

FAX/E-MAIL/TEL: Please refer to your country according to the information found on the back cover or on our website:

www.bestwaycorp.com

Please provide your address details in full. **Note:** Incomplete address details will result in delayed shipments.

Bestway reserves the right to charge for redelivery of undelivered packages where the recipient is at fault.

REQUIRED INFORMATION - PLEASE WRITE THE SHIPPING ADDRESS

Name: _____ Address: _____

Zip Code: _____ Retailer: _____

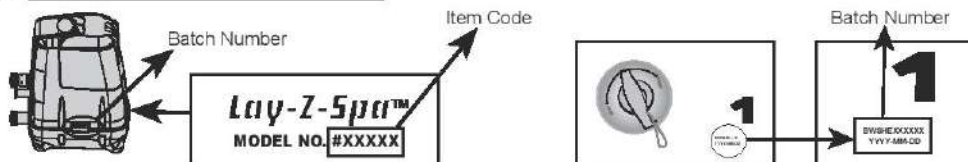
Country: _____ City: _____

Mobile: _____ Telephone: _____

Fax: _____ E-mail: _____

Spa Pump Batch Number: _____ Spa Pool Batch Number: _____

Spa Pump Item Code: _____



All drawings for illustration purpose only. Not to scale.

Problem description

- Spa leakage
 Water Filtration System not working
 Heating System not working
 Control panel shows a failure which cannot be solved
 Lay-Z-Massage System not working
 Pump leakage
 Adapter leakage
 Missing part - Please use the code for the missing part. This can be found in the owner's manual.
 Other (Please describe)

IMPORTANT: ONLY THE DAMAGED PART WILL BE REPLACED, NOT THE COMPLETE SET.

Bestway reserves the right to request photographic evidence of defective parts, or to require sending the item for additional testing.

In order to best assist you, we request all information you provide to be complete.

FOR FAQ, MANUALS, VIDEOS OR SPARE PARTS, PLEASE VISIT OUR WEBSITE: www.bestwaycorp.com.

VIDEOS ARE ALSO AVAILABLE ON OUR BESTWAY CHANNEL ON YOU TUBE: www.youtube.com/user/BestwayService

CONTEÚDOS

1. Instruções de Segurança	P16
2. Especificações	P19
3. Montagem	P21
4. Funcionamento	P23
5. Manutenção	P25
6. Resolução de Problemas	P27
7. Garantia	P28



INSTRUÇÕES DE SEGURANÇA

Aquando da instalação e utilização deste equipamento elétrico, devem ser seguidas precauções de segurança básicas, incluindo as seguintes:

INSTRUÇÕES DE SEGURANÇA IMPORTANTES - LEIA E SIGA TODAS AS INSTRUÇÕES.

AVISO:

- O spa deve ser alimentado através de um transformador isolado ou através de um dispositivo de corrente residual (DCR) com uma taxa de corrente residual não superior a 30 mA.
- A bomba deve ser testada antes de cada utilização. Para testar, siga as instruções na secção “Teste de Bomba” deste manual.
- Caso o fio de alimentação esteja danificado, deve ser substituído pelo fabricante, agente de serviço ou pessoas com o mesmo tipo de qualificação, a fim de evitar perigos.
- Para reduzir o risco de choque elétrico, não utilize extensões para ligar a unidade à corrente elétrica; ligue a uma tomada num local apropriado.
- Nenhuma parte do aparelho deve estar localizada acima da zona de banho durante a utilização.
- As peças ligadas à corrente elétrica, exceto as peças com uma voltagem de segurança extra baixa inferior a 12V, devem estar inacessíveis aos utilizadores da piscina spa; As peças que possuem componentes elétricos incorporados, exceto dispositivos de controlo remoto, devem estar localizadas ou fixas para que não corram o risco de cair dentro da piscina spa.
- A ficha da bomba deve estar a uma distância superior a 3,5 m do spa.
- É necessário ter a ficha acessível após a instalação do spa.

CUIDADO: De forma a evitar perigos resultantes de um reinício forçado devido a um corte térmico accidental, este aparelho não deve ser alimentado através de um dispositivo de comutação externo, como um temporizador, ou ligado a um circuito elétrico que seja ligado e desligado frequentemente devido à utilização.

Depois de utilizar o seu spa durante 3-5 anos, contacte o seu técnico qualificado de manutenção local para assegurar a segurança e o desempenho do mesmo. Os componentes principais, como o elemento de aquecimento, o motor do ventilador de ar e as válvulas de retenção no interior da unidade elétrica devem ser verificadas e substituídas (caso necessário) por profissionais.

Aviso: Mantenha sempre a ficha seca, ligar uma ficha molhada à corrente elétrica é proibido!

O spa deve ser alimentado por uma fonte de energia terrestre.

• PARA EVITAR O CHOQUE ELÉTRICO, NÃO UTILIZE O SPA QUANDO ESTIVER A CHOVER.

- Nunca utilize lentes de contacto quando estiver no spa.
- Não utilize o spa durante a manutenção química.
- A fonte de alimentação na parede do edifício deve estar a uma distância superior a 4m da piscina e a uma altura mínima de 1,2 m.
- Não podem ser utilizadas extensões.
- Não ligue ou desligue o aparelho com as mãos molhadas.
- Desligue sempre o aparelho:
 - em dias de chuva
 - antes da limpeza ou outro tipo de manutenção
 - se não o utilizar durante as férias
- A limpeza e a manutenção devem ser efetuadas por um adulto familiarizado com o risco de choque elétrico;
- Quando o aparelho não for utilizado durante um longo período de tempo, como no inverno, o spa ou o conjunto de piscina devem ser desmontados e armazenados num local fechado.
- **Atenção:** Leia as instruções antes de utilizar o aparelho e sempre que instalar ou voltar a montar o aparelho.

- Guarde as instruções. Na falta de instruções, por favor contacte o fabricante ou faça o download das mesmas em www.bestwaycorp.com
- **Aviso: Para segurança elétrica, está incorporado um PRCD no cabo de alimentação. Caso seja detetada uma fuga de corrente superior a 10mA, o dispositivo irá ativar-se e cortar a energia elétrica. Neste caso, por favor desligue o dispositivo e pare de utilizar o spa. Não reinicie o aparelho sozinho. Deve contactar o agente local de serviço para verificar e reparar o produto.**
- O aparelho não está concebido para a utilização por pessoas (incluindo crianças) com capacidades físicas, motoras e sensoriais reduzidas, ou com falta de experiência e conhecimento, a menos que estejam conscientes das instruções de utilização ou sob supervisão de uma pessoa responsável pela sua segurança. As crianças devem ser supervisionadas para garantir que não brincam com o aparelho. (Para outros mercados além da UE)
- O aparelho pode ser utilizado por crianças com mais de 8 anos de idade e por pessoas com capacidades físicas, motoras e sensoriais reduzidas ou com falta de experiência e conhecimento, se estiverem conscientes das instruções de utilização de forma segura e dos perigos envolvidos, ou sob supervisão. As crianças não devem brincar com o aparelho. A limpeza e manutenção não devem ser realizadas por crianças sem supervisão. (Para o mercado da UE)
- A água atrai crianças; coloque sempre a cobertura do spa após cada utilização.
- Não enterre o cabo. Coloque o cabo de forma a minimizar acidentes com cortadores de relva, corta-sebes, e outros equipamentos.
- Risco de Afogamento Acidental. Devem ser tomadas medidas preventivas extremas de maneira a evitar o acesso não autorizado das crianças. Para evitar acidentes, certifique-se que as crianças não utilizam o spa, a menos que estejam sob supervisão permanente.
- **RISCO DE LESÕES.** Nunca utilize o spa se os tubos de entrada / saída estiverem danificados ou em falta. Nunca tente substituir o tubos de entrada / saída. Consulte sempre o seu Centro local de Pós-Vendas.
- **RISCO DE CHOQUE ELÉTRICO.** Instale a uma distância mínima de 2 m de todas as superfícies metálicas.
- **RISCO DE CHOQUE ELÉTRICO.** Nunca utilize qualquer aparelho elétrico enquanto estiver no spa ou enquanto o seu corpo estiver molhado. Nunca coloque qualquer aparelho elétrico, como luzes, telefone, rádio, ou televisão, a menos de 2 m do spa.
- Estar imerso em água quente durante a gravidez pode causar danos no feto. Limite o tempo de utilização do spa a 10 minutos de cada vez.
- **PARA REDUZIR O RISCO DE LESÕES:**
 - A. A água do spa nunca deve exceder os 40°C (104°F). A temperatura da água entre os 38°C (100°F) e 40°C (104°F) é considerada segura para um adulto saudável. Recomendam-se temperaturas da água mais baixas para crianças pequenas e quando a utilização do spa excede os 10 minutos.
 - B. Uma vez que as altas temperaturas da água podem causar danos no feto durante os primeiros meses de gravidez, as grávidas ou com suspeita de gravidez devem limitar a temperatura da água do spa a 38°C (100°F).
 - C. Antes de entrar no spa, o utilizador deve medir a temperatura da água com um termómetro fiável, uma vez que a tolerância dos dispositivos à temperatura da água varia.
 - D. O uso de álcool, drogas, ou medicação antes ou durante a utilização do spa pode levar a perdas de consciência e à possibilidade de afogamento.
 - E. As pessoas obesas ou com historial de doença cardíaca, pressão arterial alta ou baixa, problemas no sistema circulatório, ou diabetes devem consultar um médico antes de utilizar o spa.
 - F. As pessoas que tomam medicação devem consultar um médico antes de utilizar o spa, uma vez que certos medicamentos podem induzir sonolência, afetar a frequência cardíaca, a pressão arterial e a circulação.
- **PARA REDUZIR O RISCO DE LESÕES:** Nunca despeje água com uma temperatura superior a 40°C (104°F) diretamente na piscina spa.
- O uso de álcool, drogas, ou medicação pode aumentar consideravelmente o risco de hipotermia fatal. A hipotermia ocorre quando a temperatura interna do corpo atinge um nível bastante acima da temperatura corporal normal de 37°C (98,6°F). Os sintomas de hipotermia incluem o aumento da temperatura corporal interna, tonturas, letargia, sonolência e desmaio. Os efeitos da hipotermia incluem a falha na percepção do calor; falha ao reconhecer a necessidade de saída do spa ou do jacuzzi; falta de consciência sobre o perigo eminente; danos no feto em mulheres grávidas; impossibilidade física de sair do spa ou jacuzzi; e falta de consciência resultando no perigo de afogamento.
- As instalações elétricas devem seguir as normas nacionais de cablagem, em caso de dúvida consulte um eletricista qualificado.

CONSULTE O SEU MÉDICO PARA ACONSELHAMENTO.

CUIDADO:

- O spa não deve ser configurado ou deixado a uma temperatura inferior a 4°C (40°F).
- Não utilize o spa sozinho.
- As pessoas com doenças infecciosas não devem utilizar o spa.
- Não utilize o spa imediatamente após praticar exercício físico extenuante.
- Sempre que entrar ou sair do spa, faça-o devagar e cuidadosamente. As superfícies molhadas são escorregadias.
- Para evitar danos na bomba, o spa nunca deve ser utilizado sem água.
- Saia imediatamente do spa se se sentir desconfortável ou sonolento.
- Nunca adicione água aos químicos. Adicione sempre os químicos à água para evitar vapores fortes ou reações violentas que podem resultar em vaporizações químicas perigosas.
- Em relação à informação acerca da limpeza, manutenção, e eliminação da água, por favor consulte a secção "MANUTENÇÃO".
- Relativamente à informação sobre a instalação, consulte o parágrafo abaixo deste manual.

NOTA:

- Por favor examine o equipamento antes de o utilizar. Contacte o serviço de apoio ao cliente da Bestway indicado no manual em caso de peças danificadas ou em falta no momento da compra. Verifique se os componentes do equipamento representam o modelo que tinha intenção de comprar.
- Este produto não está previsto para utilização comercial.

AVISO PARA A BOMBA DE AR ELÉTRICA (Para a Palm Springs HydroJet):

A bomba de ar elétrica não faz parte do spa. Deve consultar o manual de utilizador da bomba de ar elétrica para sua segurança.

As extensões utilizadas para a bomba de ar, aquando do enchimento da piscina, são estritamente proibidas para utilização no spa.

Após o enchimento da piscina, tanto a bomba de ar como a extensão devem ser desligadas da corrente e armazenadas num local fechado.

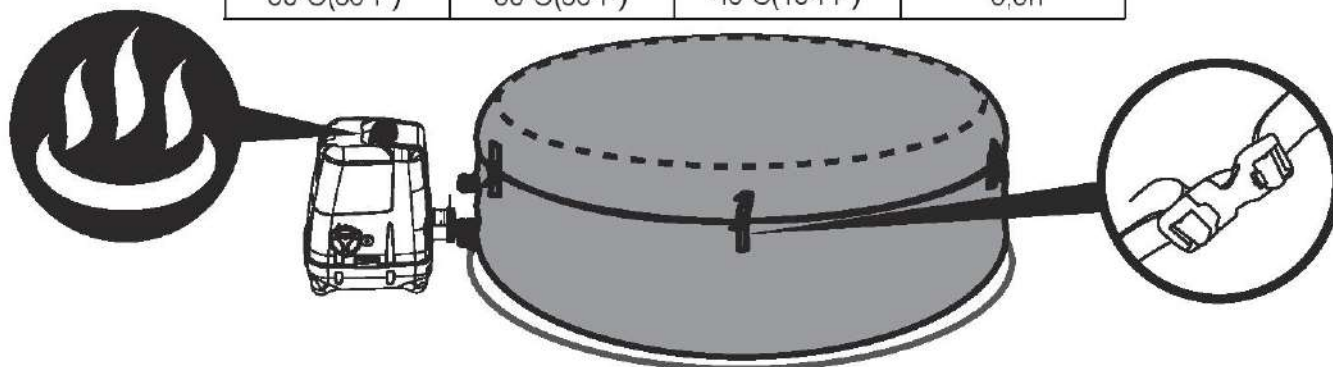
O tempo de utilização do motor não deve exceder os 20 minutos

CUIDADO: PARA EVITAR O RISCO DE CHOQUE ELÉTRICO, NÃO EXPONHA O MOTOR A ÁGUA OU CHUVA. APENAS PARA UTILIZAÇÃO DOMÉSTICA.

GUARDE ESTAS INSTRUÇÕES IMPORTANTE !

Para atingir os 40°C (104°F), a duração de aquecimento necessária é baseada na temperatura inicial da água e na temperatura ambiente, os valores seguintes são apenas para referência. Para exibir a temperatura atual da água, opere o sistema de filtragem durante pelo menos um minuto.

Temperatura Ambiente	Temperature da Água	Temperatura Definida	Duração do Aquecimento
10°C(50°F)	10°C(50°F)	40°C(104°F)	18,5h
15°C(59°F)	15°C(59°F)	40°C(104°F)	15h
20°C(68°F)	20°C(68°F)	40°C(104°F)	11,5h
25°C(77°F)	25°C(77°F)	40°C(104°F)	8,5h
30°C(86°F)	30°C(86°F)	40°C(104°F)	5,5h

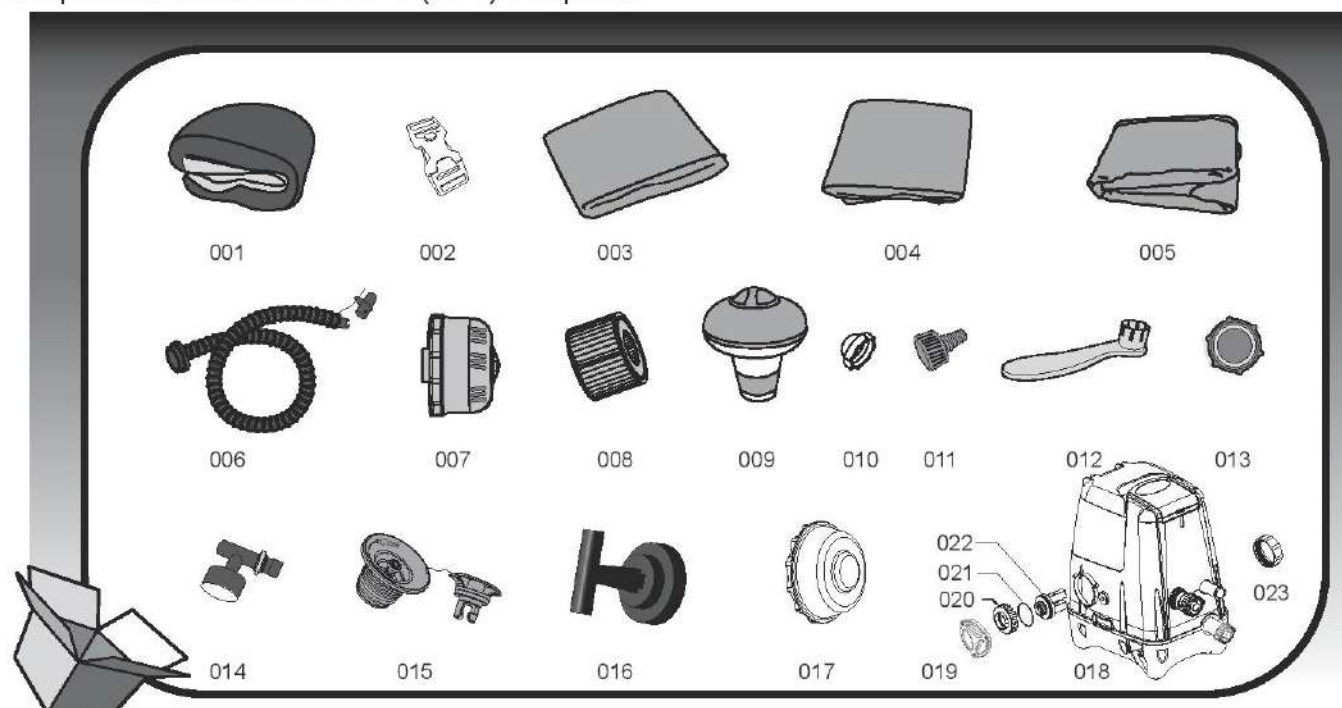


Certifique-se de que cobre o SPA com a cobertura de SPA sempre que a função de aquecimento estiver ativa. Deixar o SPA descoberto irá aumentar o tempo de aquecimento necessário. Por favor não utilize o SPA quando a temperatura ambiente for inferior a 4°C (39°F).

ESPECIFICAÇÕES PARA O LAY-Z-SPA™ HAWAII HYDROJET PRO (#54138)

Capacidade:	4-6 Adultos	Soprador de Massagem Turbo:	800W	Bomba de Jato:	1200W
Capacidade de Água:	795 L (210 gal)	Elemento de Aquecimento:	2,000W a 20°C	Fluidez Atual da Água:	1,325 L/h (350 gal/h)
Tamanho Inflado:	1,80m x 1,80m x 71cm (71" x 71" x 28")	Bomba:	Circulação de 50W Filtro da Bomba	Taxa de Potência:	220-240V AC, 2060W a 20°C
Peso quando Cheio:	867 kg (1,911 Lb)	Capacidades de Temperatura:	40°C (104°F)	Pressão de Trabalho:	1,2PSI (0,08bar)
Aumento da Taxa de Aquecimento:	Aproximadamente 1.5-2°C/h (3-4°F/h)	Bocais de Jato:	8PCs	Sistema de Água Salgada:	20W

NOTA: A taxa de aquecimento mencionada acima refere-se a um teste de laboratório com uma temperatura ambiente de 25°C (77°F) e superior.

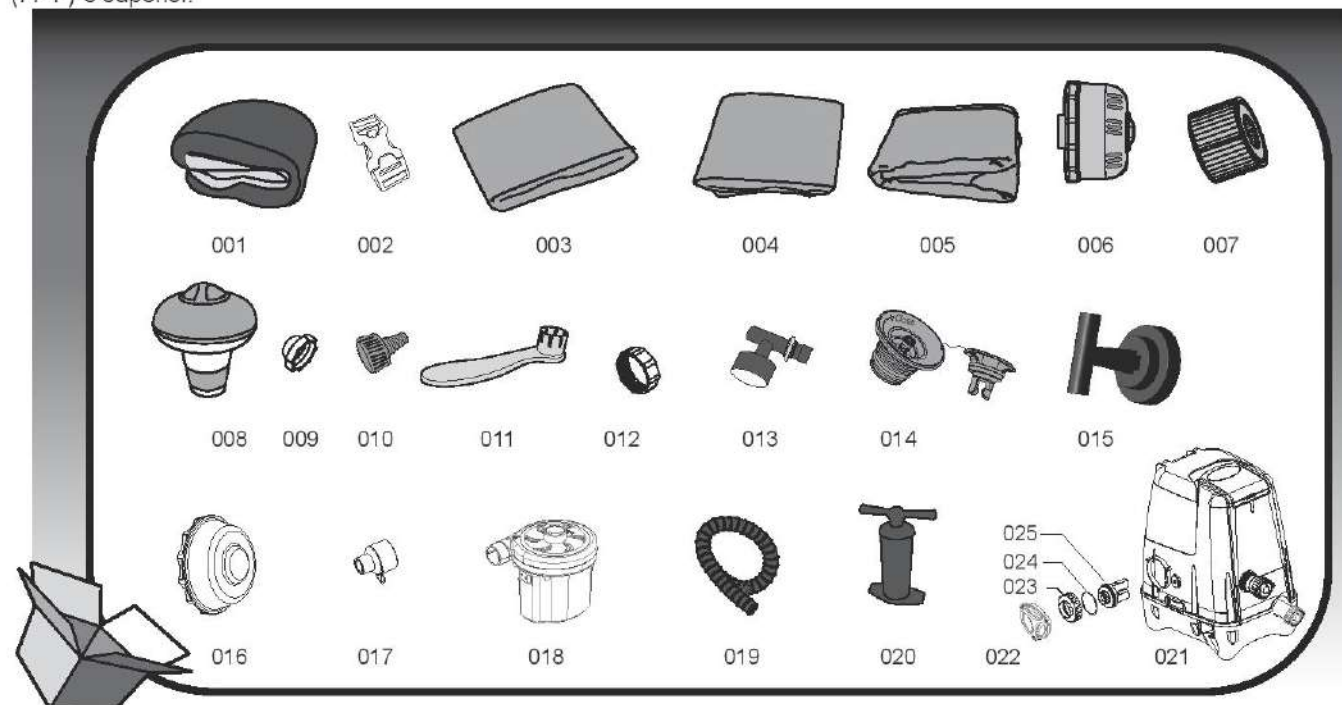


Peça N.	Código da Peça	Descrição	QTD
001	54138TASS17	Forro da Piscina	1
002	F6414ASS16	Curvatura	8
003	P5511GASS17	Cobertura de Napa	1
004	54138GASS17	Cobertura Insuflável	1
005	58371(H)S16	Tapete de Solo	1
006	P6930	Mangueira de Enchimento	1
007	P6653	Conjunto de Filtro	1
008	58323	Cartucho de Filtro	2
009	58426S17	Flutuador Químico	1
010	P6575	Tampão (Para a Saída do Filtro)	1
011	P6H565	Adaptador de Mangueira	1
012	F6H189	Chave (Para a Válvula de Ar)	1
013	P6611	Cobertura do Adaptador A	1
014	P61199	Manômetro de Pressão	1
015	P6H971	Válvula de Enchimento	1
016	P61385	Chave (Para o Sistema Clorinador de Sal)	1
017	P61290	Tampão (Para a Entrada do Jato de Água)	1
018	P4H125ASS17	Bomba de Spa	1
019	P61334	Tampa	1
020	P61386	Porca da Célula Eletrolítica	1
021	P61388	O-RING da Célula Eletrolítica	1
022	P61387	Célula Eletrolítica	1
023	P61587	Tampão da piscina spa	2

ESPECIFICAÇÕES PARA O LAY-Z-SPA™ PALM SPRINGS HYDROJET (#54144)

Capacidade:	4-6 Adultos	Sistema de Água Salgada:	20W	Bomba de Jato:	1200W
Capacidade de Água:	795 L (210 gal)	Elemento de Aquecimento:	2,000W a 20°C	Fluidez Atual da Água:	1,325 L/h (350 gal/h)
Tamanho Inflado:	1,96m x 71cm (77" x 28")	Bomba:	Bomba de Filtro com Circulação de 50W	Taxa de Potência:	220-240V AC, 2060W a 20°C
Peso quando Cheio:	864 kg (1,905 Lb)	Capacidades de Temperatura:	40°C (104°F)	Pressão de Trabalho:	1,2PSI (0,08bar)
Aumento da Taxa de Aquecimento:	Aproximadamente 1,5-2°C/h (3-4°F/h)	Bocais de Jato:	8PCs	Bomba de Ar AC:	110W

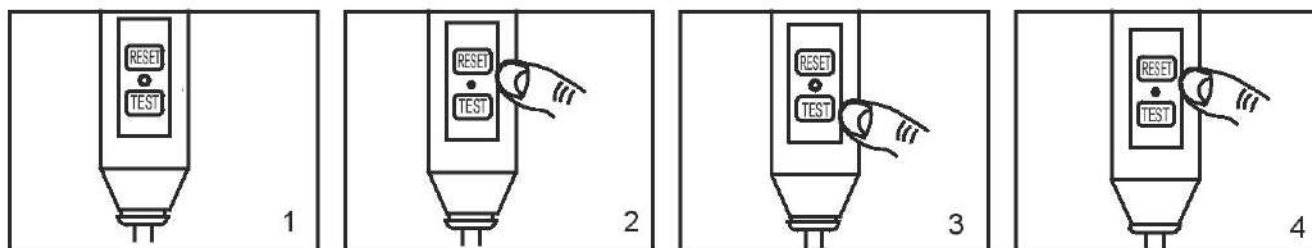
NOTA: A taxa de aquecimento mencionada acima refere-se a um teste de laboratório com uma temperatura ambiente de 25°C (77°F) e superior.



Peça N.	Código da Peça	Descrição	HOEV
001	54144TASS17	Forro da Piscina	1
002	F6414ASS16	Curvatura	6
003	P5532GASS17	Cobertura de Napa	1
004	54144GASS17	Cobertura Insuflável	1
005	58321(H)S15	Tapete de Solo	1
006	P6653	Conjunto de Filtro	1
007	58323	Cartucho de Filtro (VI)	2
008	58426S17	Flutuador Químico	1
009	P6575	Tampão	1
010	P6H565	Adaptador de Mangueira	1
011	F6H189	Chave (Para a Válvula de Ar)	1
012	P61587	Tampão da piscina spa	2
013	P61199	Manómetro de Pressão	1
014	P6H971	Válvula de Enchimento	1
015	P61385	Chave (Para o Sistema Clorinador de Sal)	1
016	P61290	Tampão (Para a Entrada do Jato de Água)	1
017	P61330	Adaptador de Mangueira de Bomba de Ar AC	1
018	P61329	Bomba de Ar AC	1
019	P61327	Mangueira de Enchimento	1
020	P61326	Bomba Manual	1
021	P4H127ASS17	Bomba de Spa	1
022	P61334	Tampa	1
023	P61386	Porca da Célula Eletrolítica	1
024	P61388	O-RING da Célula Eletrolítica	1
025	P61387	Célula Eletrolítica	1

Teste de Bomba

Teste de PRCD



NOTA: Os desenhos são apenas para fins ilustrativos. Podem não refletir o produto atual. Não estão à escala.

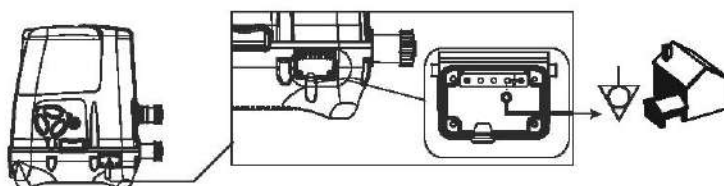
1. Insira a ficha.
2. Pressione o botão "RESET", e a luz indicadora acende.
3. Pressione o botão "TEST", e a luz indicadora desliga.
4. Pressione o botão "RESET", e a luz indicadora acende.
5. Pressione o botão "On/Off" durante 2 segundos, e a bomba está pronta a utilizar.



AVISO: A ficha do PRCD deve ser testada antes de cada utilização para evitar o risco de choque elétrico.

AVISO: Antes de ligar a ficha à tomada, certifique-se que a taxa de corrente da tomada é adequada para a bomba.

AVISO: Não utilize a bomba se este teste falhar, e contacte o nosso Serviço de Pós-Vendas.



TERMINAL DE LIGAÇÃO EQUIPOTENCIAL DA BOMBA DO SPA

Recomenda-se que contacte um electricista qualificado para conectar a bomba do SPA a um terminal de terra, utilizando um condutor de cobre sólido com 2,5 mm² (no mínimo).

MONTAGEM

AVISO: O local selecionado deve ser capaz de suportar a carga esperada.

AVISO: Deve ser fornecido um sistema de drenagem adequado para lidar com o transbordamento da água, tanto em instalações interiores como exteriores.

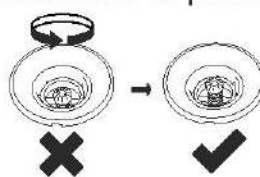
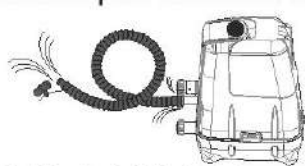
NOTA: Apenas o spa Hydro-Jet Pro possui o botão do sistema Lay-Z-Massage. Durante o enchimento, irá notar que existe ar a ser expelido a partir da área de ligação da mangueira de ar à bomba, isto é normal e previne danos devido a um excesso de enchimento.

NOTA: Não utilize um compressor de ar para encher a piscina.

NOTA: Não arraste a piscina em terrenos acidentados, já que isto pode causar danos ao forro da piscina.

NOTA: O tempo de enchimento é apenas para referência.

NOTA: O manómetro de pressão serve apenas para fins de enchimento, e o valor apresentado no mesmo é somente para referência. Não deve ser utilizado como um instrumento de precisão.

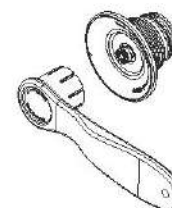
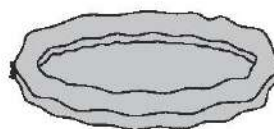


Verificação da Válvula de Ar

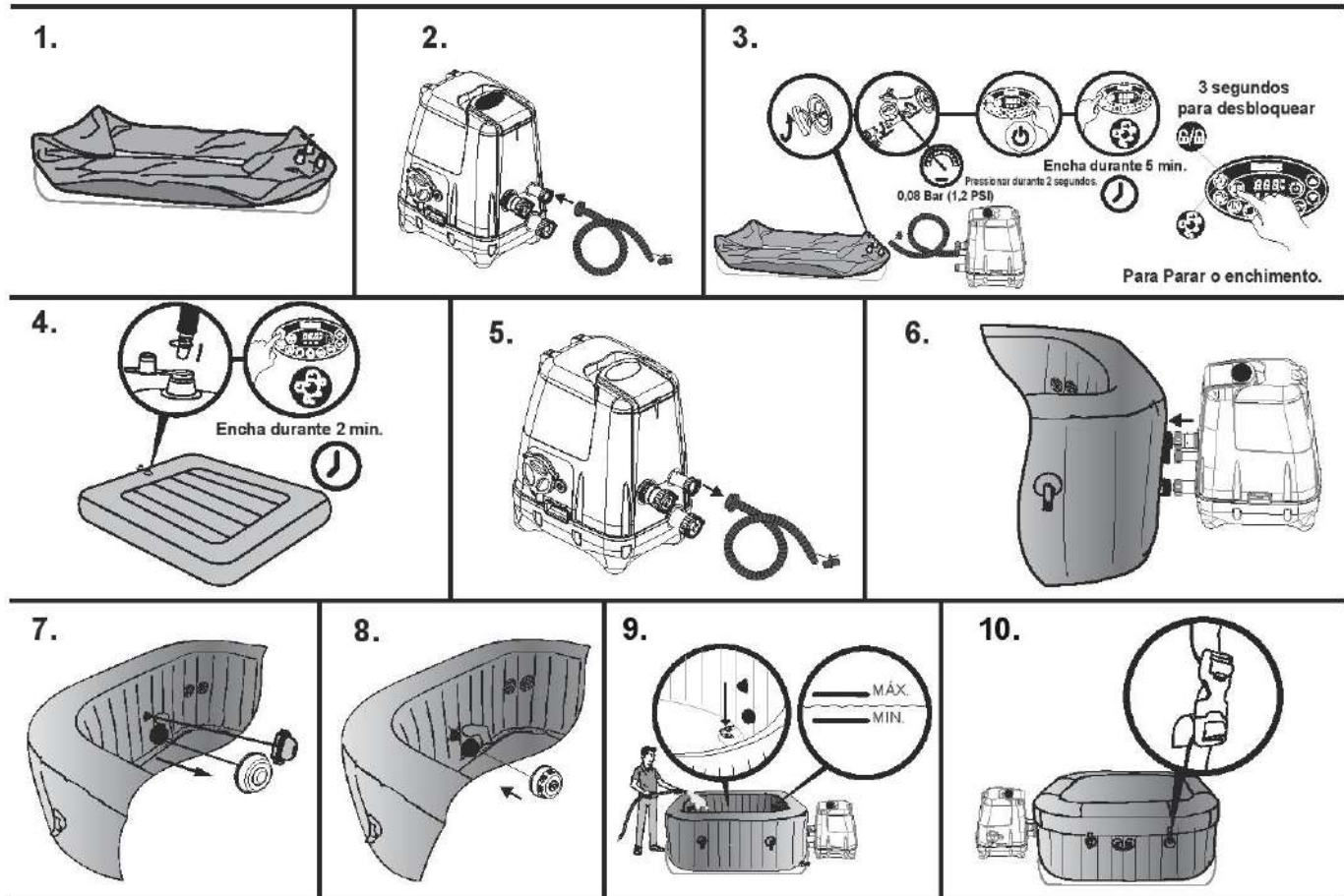
Verifique sempre a válvula de ar cuidadosamente antes do enchimento, para garantir que não existe nenhuma fuga de ar. Se a válvula de ar estiver solta, utilize a chave fornecida para apertar a válvula, seguindo os seguintes passos: Com uma mão, segure a parte de trás da válvula de ar pelo lado interno da parede do spa, e rode a chave no sentido dos ponteiros do relógio.

NOTA:

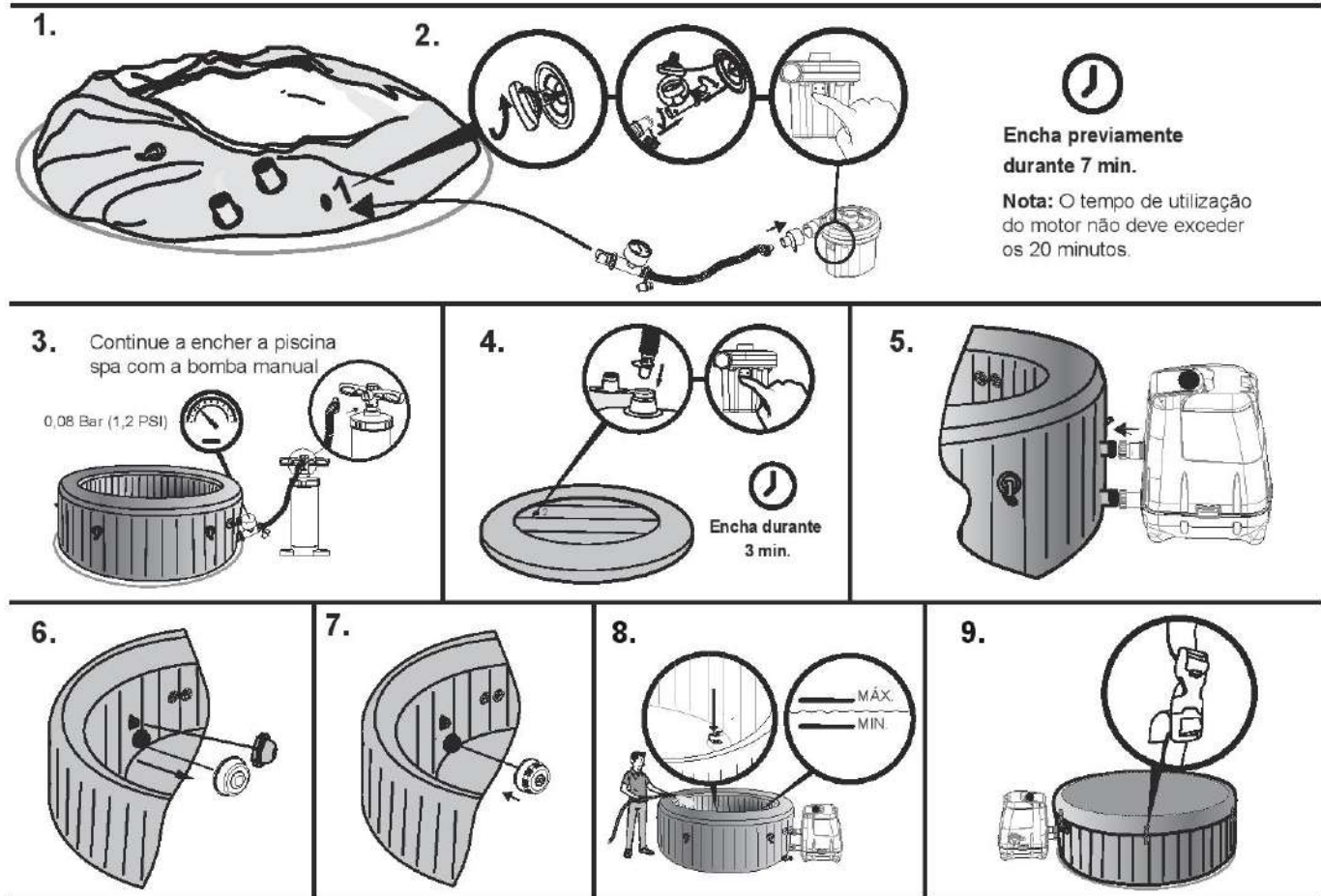
1. Não aperte demasiado.
2. Não ajuste o conector da válvula de ar quando o spa estiver em utilização.



MONTAGEM DO HAWAII HYDROJET PRO (#54138)

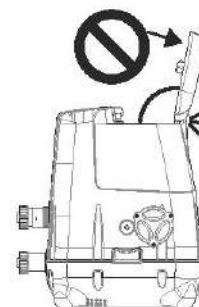
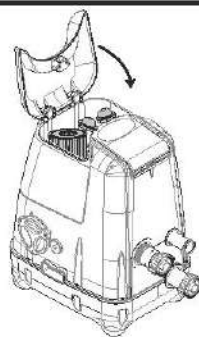
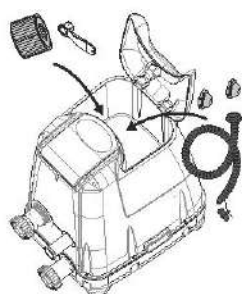
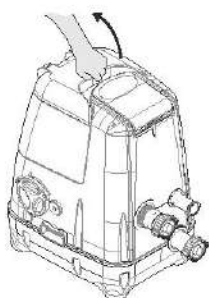


MONTAGEM DO PALM SPRINGS HYDROJET (#54144)

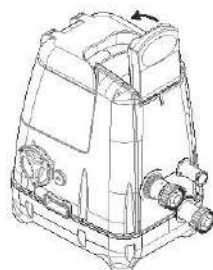
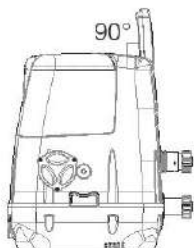


FUNCIONAMENTO

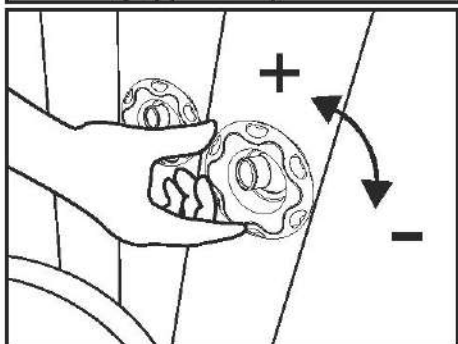
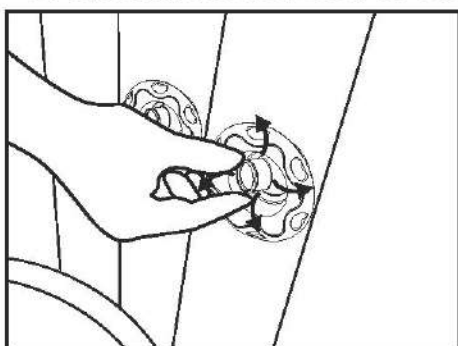
1.



2.



3. Ajustamento do Bocal do Jato



5. Reinício do Aquecimento

Quando utilizar o Lay-Z-Spa pela primeira vez, ou após um longo período de inatividade, assegure-se que pressiona o botão reiniciar localizado na bomba, utilizando um objeto pequeno e fino.



BOTÃO REINICIAR

INSTRUÇÕES IMPORTANTES DE UTILIZAÇÃO

Caso a temperatura no painel de controlo (ou a temperatura da água) não se tenha alterado 4-5 horas após a ativação do sistema de aquecimento, utilize um objeto fino para pressionar o BOTÃO REINICIAR e reinicie o sistema de aquecimento.

IMPORTANTE: O Sistema de aquecimento não funciona se a temperatura exterior for superior a 40°C (104 °F) ou se o Lay-Z-Spa estiver exposto à luz solar direta. Sob estas condições, por favor aguarde até uma altura do dia mais fresca antes de pressionar o BOTÃO REINICIAR com um objeto fino, e reinicie o sistema de aquecimento. Esta operação deve ser repetida sempre que a bomba estiver sob as condições acima descritas.

4. Instruções do Sistema Clorinador de Sal

NOTA: Para utilizar o Sistema Clorinador de Sal, adicione sal à água, seguindo os passos seguintes.

- (1). Ligue o Sistema HydroJet para iniciar a circulação da água.
- (2). Mantenha o Sistema Clorinador de Sal desligado.
- (3). Adicione gradualmente 4,4 lbs / 2 kg de sal na piscina spa, utilize apenas cloreto de sódio (NaCl) com uma pureza mínima de 99,9% ou pastilhas de sal condicionantes de água (as formas comprimidas de sal evaporado - irá demorar mais tempo a dissolver). Mantenha o Sistema HydroJet ligado durante 5 min.
- (4). Quando o sal estiver dissolvido, ligue o Sistema Clorinador de Sal e selecione a duração de funcionamento (consulte as instruções do Botão do Sistema Clorinador de Sal).

NOTA: Cubra o spa durante o processo de Clorinação de Sal.

E11 Adicione Sal se o nível de Sal for muito baixo
Se não tiver sido adicionado sal suficiente, o painel irá apresentar um código de erro "E11".

- (1). Desligue o spa e ligue novamente, depois pressione "Reset".
- (2). Ligue o Sistema HydroJet.
- (3). Adicione gradualmente e dissolva 1,1 lbs/0,5 kg de sal.
- (4). Inicie o Sistema Clorinador de Sal.
- (5). Se o Código "E11" persistir, siga os passos mencionados acima até o código de erro desaparecer.

E10 Remova Sal se o nível de Sal for muito elevado
Se tiver sido adicionado muito sal, o painel irá apresentar um código de erro "E10".

- (1). Desligue o spa.
- (2). Drene aproximadamente 20% da piscina e volte a encher.
- (3). Inicie o Sistema Clorinador de Sal.
- (4). Se o Código "E10" persistir, siga os passos mencionados acima até o alarme desaparecer.

- A Botão Bloquear/Desbloquear**
A bomba auto-bloqueia após 5 minutos. A luz LED fica mais escura quando a bomba está bloqueada (nenhuma função está ativada). Para bloquear ou desbloquear a bomba, coloque um dedo sobre o botão de bloquear/desbloquear durante 3 segundos.
- B Botão do Sistema Lay-Z-Massage (Para o Hydro-Jet Pro)**
Utilize este botão para ativar o sistema de massagem, que se desliga automaticamente após 30 minutos.
A luz localizada acima do botão do Sistema Lay-Z-Massage fica vermelha quando ativo.

IMPORTANTE: Não ligue o sistema Lay-Z-Massage quando o spa estiver coberto. O ar pode acumular-se no interior do spa e causar danos irreversíveis à cobertura e às redes corporais.

NOTA: Os sistemas de aquecimento e massagem funcionam em conjunto para criar uma calorosa experiência de massagem.

- C Botão do Sistema HydroJet**
Este botão liga e desliga a bomba de água.
A luz localizada acima do botão do Sistema HydroJet fica vermelha quando ativo.
Nota: O sistema irá desligar-se automaticamente após 1 hora.
Nota: Não ligue o Sistema HydroJet sem água.

- D Botão de Aquecimento**
Utilize este botão para ativar o sistema de aquecimento. Quando a luz localizada acima do botão de aquecimento está vermelha, o sistema de aquecimento é ativado. Quando a luz está verde, a água encontra-se à temperatura configurada e o sistema de aquecimento está em descanso.
NOTA: Se o sistema de aquecimento for ativado, o sistema de filtração irá iniciar automaticamente.
NOTA: Após desligar o sistema de aquecimento, o sistema de filtração continuará a funcionar.

- E Botão do Filtro de Água**
Este botão liga e desliga a bomba de filtro.
A luz localizada acima do Botão do Filtro de Água fica vermelha quando ativo.
NOTA: A função de tratamento de água dura incorporada funciona automaticamente.

- F Botão do Sistema Clorinador de Sal**
Utilize este botão para ligar o Sistema Clorinador de Sal e configure a duração de funcionamento. Pode configurar o tempo de funcionamento para 3 horas, 5 horas e até 8 horas, pressionando o Botão do Sistema Clorinador de Sal. Depois de configurar o tempo de funcionamento, o Sistema Clorinador de Sal começa a funcionar automaticamente.
NOTA: Não pressione qualquer botão do painel nem cubra o SPA durante o progresso da cloração. Pode reajustar a duração de funcionamento pressionando o botão do Sistema Clorinador de Sal.
NOTA: Teste a água regularmente e assegure-se que o nível de cloro livre está entre 2-4 ppm.

- G INSTRUÇÕES PARA o Botão do Temporizador de Poupança de Energia**
Esta é uma função nova, concebida para evitar o desperdício de energia ao configurar o tempo e a duração do ciclo de aquecimento do spa.
Assim, pode desfrutar do seu spa à hora que desejar, sem necessidade de deixar o aquecimento ligado em cada utilização.

PASSO 1: Configure a duração do aquecimento

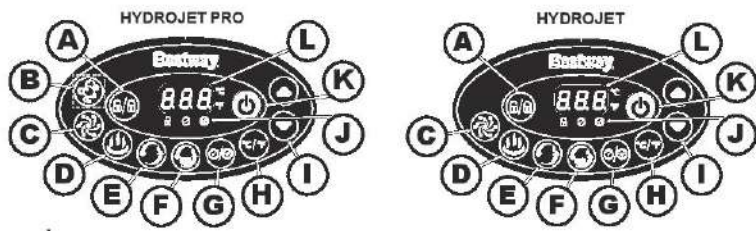
1. Pressione o botão e o LED irá piscar.
2. Pressione o botão ou para ajustar a duração do aquecimento (De 1-48 horas).
3. Pressione o botão novamente para confirmar a duração do aquecimento.

PASSO 2: Configure o número de horas DESDE O MOMENTO ATUAL até o aquecimento ser ativado.

1. Depois de configurar a duração do aquecimento, o LED começa a piscar.
2. Pressione o botão ou para ajustar as horas até ao momento de ativação (De 0-99 horas).
3. Pressione o botão novamente ou não toque em nada durante 10 segundos para confirmar a configuração. O LED irá permanecer aceso, e a contagem para o início do aquecimento irá começar.

Para modificar as configurações do temporizador: Pressione o botão e utilize o botão ou para ajustar.

Cancelar a configuração: Pressione o botão durante 2 segundos.



NOTA: Após a configuração, o ecrã apresenta alternadamente a temperatura e hora atuais.

NOTA: O ajuste do temporizador (período de tempo com o aquecimento LIGADO) deve ser configurado entre 1 e 48 horas. O ajuste do período de reserva (o número de horas que passam DESDE O MOMENTO ATUAL até que o aquecimento começa a funcionar) deve ser configurado entre 0 e 99 horas. Se o temporizador estiver configurado para 0 horas, significa que o Temporizador não está configurado.

Nota: que o temporizador é configurado uma vez por cada utilização - o utilizador configura a duração do ciclo de aquecimento, e a quantidade de horas desde o momento atual até que o ciclo de aquecimento inicie. O temporizador NÃO repete até ser reiniciado.

- H Alternância entre Celsius/Fahrenheit**
A temperatura pode ser exibida em graus Celsius ou Fahrenheit.

- I Botões de Ajuste de Temperatura**
Se pressionar os botões de Aumento ou Diminuição da Temperatura, a luz LED piscará. Nesta altura pode ajustar a temperatura para a configuração desejada. Se manter os botões pressionados, os valores da temperatura irão aumentar ou diminuir rapidamente. A nova configuração de temperatura desejada irá permanecer no ecrã LED durante 3 segundos para que possa confirmar o novo valor.

NOTA: A temperatura padrão é de 35°C (95°F).

NOTA: O ajuste de temperatura varia entre os 20°C (68°F) e os 40°C (104°F).

- J Temporizador LED de Poupança de Energia**
Se o LED piscar, significa que está a configurar a duração do aquecimento. A luz ligará assim que a função de aquecimento começar a funcionar.
Se a luz LED piscar, significa que está a configurar o número de horas DESDE O MOMENTO ATUAL até que o aquecimento seja ativado. Quando a luz está acesa, a função do Temporizador de Poupança de Energia está ativa.

- K Botão Ligar/Desligar**
Pressione este botão durante 2 segundos para ativar os botões do painel de controlo e a luz fica verde. Pressione o botão durante 2 segundos para desligar todas as funções ativas no momento.

- L Ecrã LED**
Uma vez ligado, o ecrã LED exibe automaticamente a temperatura atual da água.
Depois de 72 horas de filtração (sem utilizar a função do temporizador de poupança de energia), a bomba irá hibernar e exibir a palavra "Fim" juntamente com a temperatura atual da água. Quando a bomba está em hibernação, as funções de aquecimento e de filtração de água estão inativas. Para reativar a bomba pressione o botão bloquear/desbloquear durante 3 segundos.

NOTA: A taxa de aquecimento da água pode alterar-se nas condições seguintes:
Quando a temperatura exterior é inferior a 15°C (59°F).
Caso a cobertura não esteja colocada quando a função de aquecimento está ativa.
NOTA: Para evitar a temperatura atual da água, opere o sistema de filtração durante pelo menos um minuto. A temperatura da água, testada por um termómetro externo, pode variar em relação à temperatura exibida no painel do spa devido às diferentes posições dos dispositivos de medição.

Alarmes

Causas	Motivos	Soluções
E01 Os sensores do fluxo de água funcionam sem necessidade de pressionar o botão de filtração ou de aquecimento.	1. As bandeiras dos sensores de fluxo de água não voltaram à posição correta. 2. Os sensores do fluxo de água estão danificados.	1. Desligue a bomba, bata no lado da bomba firmemente (mas não violentamente), e ligue-a novamente. 2. Contacte o seu Centro de Serviço de Pós-Vendas local da Bestway para instruções.
E02 Após iniciar ou durante as funções de filtração ou de aquecimento, os sensores do fluxo de água não detetam o fluxo da mesma.	1. Esqueça-se de remover os 2 tampões do interior da piscina. 2. Os cartuchos de filtro estão sujos. 3. Ative o sistema de filtro ou de aquecimento e coloque a sua mão em frente ao tubo de saída no interior da piscina para verificar se a água flui. a. Se não houver qualquer fluxo de água, a bomba de água está danificada. b. A água flui mas o alarme aparece, os sensores de fluxo de água estão danificados.	1. Remova os dois tampões antes de iniciar o sistema de aquecimento. Consulte a secção de Montagem no Manual de Utilizador. 2. Remova o conjunto de filtro do interior da piscina e pressione o botão do filtro ou do aquecimento. Se o alarme não surgir, limpe ou substitua os cartuchos de filtro e volte a instalar o conjunto de filtro no interior da piscina. 3. Contacte o seu Centro de Serviço de Pós-Vendas local da Bestway para instruções.
E03 O termómetro da bomba regista uma temperatura da água inferior a 4°C (40°F).	1. A temperatura da água é inferior a 4°C (40°F). 2. Se a temperatura da água for superior a 7°C (44,6°F), o termómetro da bomba está danificado.	1. O spa não está concebido para funcionar com temperaturas de água inferiores a 4°C (40°F). Desligue a bomba e reinicie-a apenas quando a temperatura da água atingir os 6°C (43°F). 2. Contacte o seu Centro de Serviço de Pós-Vendas local da Bestway para instruções.
E04 O termómetro da bomba regista uma temperatura da água superior a 50°C (122°F).	1. A temperatura da água é superior a 50°C (122°F). 2. Se a temperatura da água for inferior a 45°C (113°F), o termómetro da bomba está danificado.	1. O spa não está concebido para funcionar com temperaturas de água superiores a 40°C (104°F). Desligue a bomba e reinicie-a apenas quando a temperatura da água atingir uma temperatura inferior ou igual a 38°C (100°F). IMPORTANTE: Antes de reiniciar a bomba, pressione o botão reiniciar da mesma. 2. Contacte o seu Centro de Serviço de Pós-Vendas local da Bestway para instruções.
E05 As ligações do termómetro da bomba estão com problemas.	1. Os conectores do termómetro da bomba não estão a funcionar de forma correta. 2. O termómetro da bomba está avariado.	Contacte o seu Centro de Serviço de Pós-Vendas local da Bestway para instruções.
E08 O corte térmico de reinício manual está com um problema.	O corte térmico de reinício manual disparou.	1. Desligue a bomba e pressione o botão reiniciar, de seguida ligue novamente a bomba. 2. Caso o alarme permaneça, consulte a secção do BOTÃO REINICIAR no manual. 3. Contacte o seu Centro de Serviço de Pós-Vendas local da Bestway para instruções.
E09 104°C (219°F) Falha no fusível.	O fusível está desligado.	Contacte o seu Centro de Serviço de Pós-Vendas local da Bestway para instruções.
E10 Alarme de teor de sal elevado.	Foi adicionado muito sal ou evaporou água em demasia.	1. Siga as instruções na parte do funcionamento para remover o sal. 2. Contacte o seu Centro de Serviço de Pós-Vendas local da Bestway para instruções.
E11 Alarme de teor de sal reduzido.	Não existe sal suficiente para a higienização.	1. Siga as instruções na parte do funcionamento para adicionar sal na água. 2. Contacte o seu Centro de Serviço de Pós-Vendas local da Bestway para instruções.
E12 Fuga de água no interior da bomba	O sistema detetou uma fuga de água no interior da bomba.	Contacte o seu Centro de Serviço de Pós-Vendas local da Bestway para instruções.
E13 Cabo de sinal desligado.	O cabo de sinal entre o painel de controlo e o quadro de alimentação não está bem ligado.	Contacte o seu Centro de Serviço de Pós-Vendas local da Bestway para instruções.

MANUTENÇÃO

NOTA: O seu spa necessita de ar adicional de vez em quando. Alterações térmicas entre o período do dia e da noite irão causar alterações na pressão do spa, o que pode causar alguma perda de ar. Por favor siga as instruções de Montagem e drene o spa antes de encher até à pressão necessária exata.

CUIDADO: DEVE ASSEGURAR-SE QUE A BOMBA ESTÁ DESLIGADA ANTES DE INICIAR A MANUTENÇÃO DO SPA.

Manutenção do Cartucho de Filtro

NOTA: Para garantir que a água do spa se mantém limpa, verifique e limpe os cartuchos de filtro todos os dias - siga os passos descritos abaixo.

NOTA: Recomendamos a mudança dos cartuchos de filtro todas as semanas. Se os cartuchos de filtro permanecerem sujos ou descolorados, devem ser substituídos.

Manutenção da Água

Para manter a água do SPA limpa, é necessário um equilíbrio químico. Limpar apenas os cartuchos de filtro não é suficiente. Por favor consulte as recomendações abaixo:



1. Use regularmente o Sistema Clorinador de Sal incorporado. A água salgada é distribuída através da célula electrolítica do clorinador para produzir cloro, o qual é dissolvido na água instantaneamente. O cloro começa imediatamente a destruir as bactérias e algas, e oxida outros materiais orgânicos.

Na primeira vez que utilizar, sugerimos que configure o tempo de funcionamento para 8 horas com água limpa, e que utilize uma tira de teste para garantir que o Cloro Livre está entre 2-4 ppm. Aumente o tempo de funcionamento se a temperatura da água for elevada ou se o SPA estiver descoberto, utilize o Sistema Clorinador a cada 24 horas se o SPA estiver a ser utilizado, o tempo de funcionamento depende dos resultados do teste e da frequência com que o SPA é utilizado.

NOTA: Quando utilizar o Sistema Clorinador pela primeira vez, teste o nível de concentração de Cloro Livre duas vezes por dia. Quando a concentração de Cloro Livre estabilizar, teste uma vez por semana para se certificar que o nível de Cloro Livre está entre 2-4 ppm.

NOTA: Não utilize o SPA quando a concentração de Cloro Livre for superior a 4 ppm.

2. Utilize produtos químicos para piscina para manter a química da água-administre cloro ou pastilhas de bromo (não utilize grânulos) com o flutuador químico.

Utilização de pastilhas (não incluídas)

(Referência: Ácido isocianúrico triclorado 3-6 g)



Utilização de líquido químico (não incluído)

(Consulte as instruções dos químicos líquidos adquiridos)



A água deve ser mudada a cada 3 dias ou mais com uma manutenção química apropriada. A qualidade da água é influenciada pela frequência de utilização, pelas pessoas que utilizam o spa e pela manutenção em geral.

NOTA: Recomendamos que tome um duche antes de utilizar o Lay-Z-Spa. Produtos cosméticos, loções, e outro resíduos na pele podem degradar rapidamente a qualidade da água.

NOTA: Remova o flutuador químico do spa quando este estiver a ser utilizado.

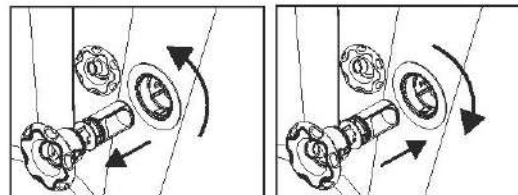
IMPORTANTE: Após realizar a manutenção química e antes de utilizar o spa, utilize um kit de teste (não incluído) para testar a química da água. Recomendamos que mantenha a água de acordo com a tabela abaixo.

pH	Alcalinidade Total	Cloro Livre
7,4-7,6	80-120 ppm	2-4 ppm

NOTA: Os danos causados pelo desequilíbrio químico não estão incluídos na garantia. Os químicos para piscina são altamente tóxicos e devem ser manuseados com cuidado. A inalação de vapores químicos e o armazenamento e rotulagem incorretos de produtos químicos constituem um risco sério para a saúde. Por favor contacte o seu fornecedor local de piscinas para mais informações sobre a manutenção química. Preste atenção às instruções químicas do fornecedor. Danos no spa causados pela má utilização de químicos e má manutenção da água do spa não estão incluídos na garantia.

Manutenção dos Bocais de Jato

1. Rode até ouvir um "clique", e puxe o Bocal de Jato para limpar os detritos.
2. Insira e rode no sentido dos ponteiros do relógio para colocá-lo no sítio correto.



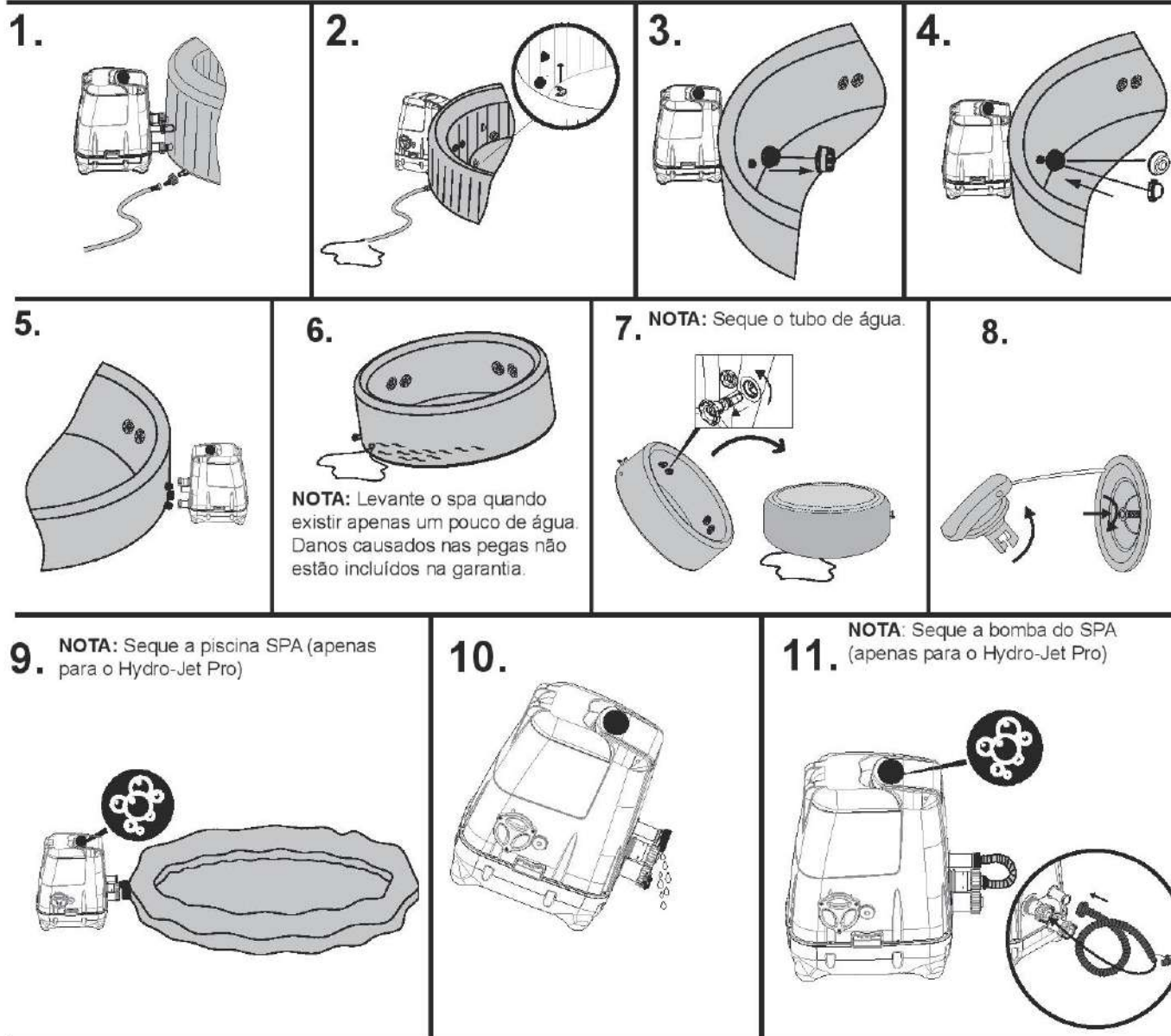
Manutenção do Sistema Clorinador de Sal

1. (não incluído)
- 2.
- 3.
- 4.

NOTA: Se os detritos permanecerem após a lavagem, coloque a célula electrolítica num recipiente, despeje vinagre de cozinha para o interior do recipiente para embeber a placa de titânio durante cerca de 4 horas, e de seguida lave novamente. Repita a operação se necessário.

Drenagem do Spa

NOTA: Os desenhos servem apenas para fins ilustrativos. Podem não refletir o produto atual. Não estão à escala.



Limpeza do spa Resíduos de detergentes e sólidos dissolvidos resultantes de fatos de banho e químicos podem alojar-se nas paredes do spa. Utilize sabão e água para limpar as paredes e enxágue abundantemente.

NOTA: NÃO utilize escovas duras ou detergentes de corrosivos.

Reparação do Spa

Para a cobertura insuflável do Spa

Se o spa estiver rasgado ou furado, utilize o remendo de reparação de alta resistência fornecido.

1. Limpe a área a ser reparada.
2. Descole cuidadosamente o remendo.
3. Pressione o remendo por cima da área a ser reparada.
4. Aguarde 30 minutos antes do enchimento.

Para o Forro do Spa

Se o spa estiver rasgado ou furado, utilize o remendo de reparação de PVC fornecido e cola (não incluída), e siga os passos seguintes:

1. Limpe e seque a área a ser reparada.
2. Corte o remendo de PVC fornecido para o tamanho adequado.
3. Utilize cola (não incluída) para colar o lado do remendo acabado de recortar. Assegure-se que a cola está distribuída uniformemente.
4. Aguarde 30 segundos e coloque o remendo recortado por cima da área danificada.
5. Elimine possíveis bolhas de ar que possam estar por baixo, e pressione com firmeza durante dois minutos.
6. Aguarde 30 minutos antes do enchimento.
7. O produto está pronto a ser utilizado novamente. Repita o processo se ocorrerem novas fugas.

Armazenamento do Lay-Z-Spa

Antes de armazenar, assegure-se que o spa e a bomba estão completamente secos. Isto é essencial para prolongar a vida do spa. Recomendamos a utilização da bomba para secar o spa, a bomba e os tubos. Remova o conjunto de filtro e elimine os cartuchos de filtro usados. Volte a colocar os dois tampões nas válvulas de saída e entrada do spa. É recomendado que armazene o spa na sua embalagem original num lugar quente e seco.

NOTA: O plástico torna-se frágil e suscetível a quebra quando exposto a temperaturas abaixo de zero. O congelamento pode danificar severamente o spa. O armazenamento incorreto do seu spa no inverno pode anular a garantia.



Significado do símbolo do contentor riscado: Não elimine aparelhos elétricos como resíduos urbanos indiferenciados, utilize as instalações de recolha seletiva. Contacte o governo local para obter informações relativas aos sistemas de recolha disponíveis. Se os aparelhos elétricos forem eliminados em aterros ou lixeiras, estes podem libertar substâncias perigosas para as águas subterrâneas, entrando na cadeia alimentar e prejudicando a sua saúde e bem-estar. Quando substituir aparelhos antigos por novos, o fornecedor está legalmente obrigado a recolher o aparelho antigo para eliminação de forma gratuita.

RESOLUÇÃO DE PROBLEMAS A Bestway esforça-se por fornecer os spas mais livres de problemas no mercado. Se tiver algum problema, não hesite em contactar a Bestway ou o seu revendedor autorizado. Aqui são fornecidas algumas dicas úteis para o ajudar a diagnosticar e corrigir algumas fontes comuns de problemas.

Problemas	Causas Prováveis	Soluções
A bomba não funciona	<ul style="list-style-type: none"> - Falha de energia - Os circuitos de energia estão danificados 	<ul style="list-style-type: none"> - Verifique a fonte de energia - Contacte o seu Centro de Serviço de Pós-Vendas local da Bestway para instruções
A bomba não aquece adequadamente	<ul style="list-style-type: none"> - A configuração de temperatura está muito baixa - O cartucho de filtro está sujo - O corte térmico corta a energia - O elemento de aquecimento falhou 	<ul style="list-style-type: none"> - Configure o sistema de aquecimento com uma temperatura superior (consulte a secção de Funcionamento da Bomba) - Limpe/substitua o Cartucho de Filtro (consulte a secção de Limpeza e Substituição dos Cartuchos de Filtro) - Pressione o botão Reiniciar na bomba (consulte a secção de Funcionamento da Bomba) - Contacte o seu Centro de Serviço de Pós-Vendas local da Bestway para instruções
O Sistema Lay-Z-Massage não funciona	<ul style="list-style-type: none"> - A Bomba de Ar está a sobreaquecer - O sistema Lay-Z-Massage pára automaticamente - A bomba de ar está avariada 	<ul style="list-style-type: none"> - Desligue a bomba e aguarde 2 horas até a bomba arrefecer. Insira a ficha e pressione o botão do sistema Lay-Z-Massage - Pressione o botão do sistema Lay-Z-Massage para reativar - Contacte o seu Centro de Serviço de Pós-Vendas local da Bestway para instruções
Os adaptadores da bomba não estão nivelados com os adaptadores do spa	<ul style="list-style-type: none"> - Uma característica do PVC é que a sua forma é alterável, o que é normal 	<ul style="list-style-type: none"> - Eleve a bomba com madeira ou outro tipo de material de isolamento para que esta fique ao mesmo nível dos adaptadores do spa
Fuga da piscina spa	<ul style="list-style-type: none"> - O spa está rasgado ou furado - A válvula de ar está solta 	<ul style="list-style-type: none"> - Utilize o remendo fornecido - Utilize água e sabão, cubra a válvula de ar para verificar se existe uma fuga de ar, em caso afirmativo, utilize a chave fornecida para prender a válvula de ar seguindo estes passos: <ol style="list-style-type: none"> 1. Esvazie o SPA. 2. Com uma mão, segure a parte de trás da válvula de ar pelo lado interno da parede do spa, e rode a chave no sentido dos ponteiros do relógio.
A água não está limpa	<ul style="list-style-type: none"> - Tempo de filtração insuficiente - O Cartucho de Filtro está Sujo - Manutenção de água imprópria - O sistema de higienização não está a funcionar - A placa de titânio foi revestida - Tempo de higienização insuficiente 	<ul style="list-style-type: none"> - Aumente o tempo de filtração - Limpe/substitua o Cartucho de Filtro (consulte a secção de Limpeza e Substituição dos Cartuchos de Filtro) - Consulte as instruções químicas do fabricante - Verifique a corrente elétrica ou contacte o seu Centro de Serviço de Pós-Vendas local da Bestway para instruções - Limpe a placa de titânio (consulte a secção de Manutenção do Sistema Clorinador de Sal)
O teste PRCD falhou	Existe um defeito no seu spa	Contacte o Centro de Serviço de Pós-Vendas local da Bestway e devolva o SPA
O sistema HydroJet não funciona	<ul style="list-style-type: none"> - A bomba de água está a sobreaquecer - A bomba de água está avariada 	<ul style="list-style-type: none"> - Desligue a bomba e aguarde 2 horas até a bomba arrefecer. Ligue e tente novamente - Contacte o seu Centro de Serviço de Pós-Vendas local da Bestway para instruções
O painel de controlo não está a funcionar	<ul style="list-style-type: none"> - O painel de controlo tem uma função de bloqueio automático, que é ativado após 5 minutos de inatividade. O ecrã LED tem um ícone:  - Se o ícone de bloqueio estiver destacado, o painel de controlo está bloqueado - O painel de controlo não está ativo 	<ul style="list-style-type: none"> - Para desbloquear o painel de controlo, pressione o botão  durante 3 segundos - Se o painel de controlo não desbloquear, reinicie a bomba - desligue e ligue a bomba. - Pressione o botão ligar/desligar durante 2 segundos - Se o problema persistir, por favor contacte o Centro de Serviço de Pós-Vendas local da Bestway para instruções.
Que tipo de químicos devem ser utilizados para a manutenção da água?	Por favor contacte o seu fornecedor local de químicos para mais informações sobre a manutenção química. Preste atenção às instruções químicas do fabricante.	
Existe uma fuga de água nos adaptadores entre a bomba e o spa	Insira os três tampões nas entradas do spa para impedir a fuga de água e desligue a bomba. Verifique e certifique-se que as vedações estão colocadas corretamente no interior dos adaptadores de bomba. Se as vedações estiverem em falta ou não estiverem instaladas corretamente, por favor contacte o seu Centro de Serviço de Pós-Vendas local da Bestway para instruções. Se as vedações estiverem posicionadas corretamente, ligue novamente a bomba ao spa e aperte os adaptadores manualmente.	

Garantia de Fabricante Limitada BESTWAY®

O produto que adquiriu inclui uma garantia limitada. A Bestway® suporta a nossa garantia de qualidade e assegura, através de uma garantia de substituição, que o seu produto estará livre de defeitos de fabrico.

Para interpor um pedido de garantia, deve preencher este formulário, anexar uma cópia da sua factura de compra e enviá-los para o seu Centro de Pós-Vendas Bestway local. Por favor contacte o seu Centro de Pós-Vendas Bestway antes de enviar quaisquer documentos. Eles fornecerão instruções completas sobre o que é necessário para a sua reclamação. A Bestway® não irá substituir quaisquer produtos considerados danificados devido a negligência ou por terem sido utilizados fora das orientações do manual do proprietário.

A garantia Bestway abrange defeitos de fabrico descobertos durante a desembalagem do produto ou durante a utilização, como recomendado pelo manual do utilizador. Esta garantia aplica-se apenas a produtos que não tenham sido modificados por terceiros. O produto deve ser armazenado e manuseado de acordo com as recomendações técnicas.

A garantia não cobre danos causados por má utilização, abuso, negligência, incluindo mas não limitado a colisão, fogo, utilização de voltagem incorrecta, exposição excessiva ao calor, instalação indevida, cablagem ou testes indevidos, ou armazenamento indevido.

As substituições e reparações não prolongam a duração da garantia. A data de início da garantia corresponde à data indicada no recibo/factura de compra original.

Por favor escolha o seu SPA



Palm Springs



Hawaii

PARA: Departamento de Serviço Bestway®

Data de compra: _____

DATA: _____

Código Numérico de Cliente: _____

FAX/E-MAIL/TEL: Por favor refira-se ao seu país de acordo com a informação que encontrará no verso ou no nosso website:

www.bestwaycorp.com

Forneça os dados da sua morada completa. **Nota:** Dados incompletos relativos à morada resultarão em atrasos nos envios.

A Bestway reserva-se o direito de cobrar o reenvio de embalagens não entregues por responsabilidade do destinatário.

INFORMAÇÃO NECESSÁRIA - POR FAVOR PREENCHA A MORADA DE ENTREGA

Nome: _____ Morada: _____

Código postal: _____ Retalhista: _____

País: _____ Cidade: _____

Telemóvel: _____ Telefone: _____

Fax: _____ E-mail: _____

Número de Lote da BOMBA do SPA: _____ Número de Lote da Piscina do SPA: _____

Código de Item da BOMBA do SPA: _____



Todos os desenhos servem apenas para fins ilustrativos. Não está à escala.

Descrição do Problema

- Fugas no Spa Sistema de Filtração de Água não funciona Sistema de Aquecimento não funciona
- Pannel de controlo apresenta uma falha que não pode ser resolvida Sistema Lay-Z-Massage não funciona
- Fugas na Bomba Fugas no adaptador Peças em Falta – Por favor use o código para a peça em falta, este pode ser encontrado no manual do proprietário.
- Outro (Por favor descreva)

IMPORTANTE: APENAS A PEÇA DANIFICADA SERÁ SUBSTITUÍDA, NÃO O CONJUNTO COMPLETO.

A Bestway reserva-se o direito de solicitar provas fotográficas das peças defeituosas, ou solicitar o envio do item para testes adicionais.

De forma a poder ajudá-lo melhor, pedimos que toda a informação que forneça esteja completa.

PARA TER ACESSO ÀS PERGUNTAS FREQUENTES, MANUAIS, VÍDEOS OU PEÇAS DE SUBSTITUIÇÃO, POR FAVOR VISITE A NOSSA PÁGINA www.bestwaycorp.com.

OS VÍDEOS ESTÃO TAMBÉM DISPONÍVEIS NO NOSSO CANAL BESTWAY NO YOU TUBE: www.youtube.com/user/BestwayService.

Bestway

CONTENIDOS

1. Instrucciones de seguridad.....	Pág. 29
2. Especificaciones.....	Pág. 32
3. Montaje.....	Pág. 34
4. Funcionamiento	Pág. 36
5. Mantenimiento	Pág. 38
6. Resolución de problemas	Pág. 40
7. Garantía	Pág. 41



INSTRUCCIONES DE SEGURIDAD

Durante la instalación y el uso de este equipo eléctrico, han de respetarse las precauciones de seguridad básicas, entre las que se incluyen las siguientes:

INSTRUCCIONES DE SEGURIDAD IMPORTANTES - LEA Y SIGA TODAS LAS INSTRUCCIONES.

ADVERTENCIA:

- El hidromasaje debe estar equipado con un transformador aislante o recibir alimentación eléctrica a través de un dispositivo diferencial residual (RCD) con una intensidad de corriente de régimen nominal no superior a 30mA.
- La bomba se debe probar antes de cada uso. Para probarla, siga las instrucciones que encontrará en la sección "Prueba de la bomba" de este manual.
- Si el cable de alimentación presenta daños, debe ser sustituido por el fabricante, por un técnico cualificado o por cualquier persona autorizada para evitar cualquier peligro.
- Para reducir el riesgo de descargas eléctricas, no utilice cables alargadores para conectar la unidad a la red eléctrica; busque una toma bien ubicada.
- No debe colocarse ninguna parte del equipo sobre el hidromasaje durante el uso.
- Los componentes con piezas conductoras, a excepción de las piezas suministradas con una tensión de seguridad muy baja no superior a 12 V, deben quedar fuera del alcance de cualquier persona que se encuentre en el interior de la piscina de hidromasaje; Las piezas con componentes eléctricos, excepto los dispositivos de control remoto, deben ubicarse o fijarse de tal forma que no puedan caer en el interior de la piscina de hidromasaje.
- El enchufe de la bomba debe encontrarse a más de 3,5 m de distancia del hidromasaje.
- Deberá ser posible acceder al enchufe después de la instalación del hidromasaje.

PRECAUCIÓN: Para evitar posibles peligros debidos a un restablecimiento inadvertido del disyuntor térmico, el equipo no debe recibir alimentación a través de un dispositivo externo, como un temporizador, o estar conectado a un circuito que se encienda o apague a través del equipo.

Después de usar el hidromasaje durante 3-5 años, contacte con un técnico de mantenimiento cualificado local para garantizar la seguridad y el rendimiento del hidromasaje. Los componentes principales, como los calentadores, el motor de aire y las válvulas de no retorno de la unidad eléctrica, deben comprobarlos y reemplazarlos (si fuera necesario) profesionales cualificados.

Advertencia: Mantenga el enchufe siempre seco. Queda terminantemente prohibido enchufar el producto con el enchufe mojado.

El hidromasaje debe estar equipado con una fuente de alimentación con toma de tierra.

• PARA EVITAR EL RIESGO DE DESCARGA ELÉCTRICA, NO UTILICE EL HIDROMASAJE MIENTRAS LLUEVE.

- No lleve puestas sus lentes de contacto cuando utilice el hidromasaje.
- No utilice el hidromasaje durante el mantenimiento químico.
- La toma de alimentación en la pared del edificio deberá estar situada a una distancia de más de 4 m de la piscina y a una altura mínima de 1,2 m.
- Prohibido el uso de cables de prolongación.
- No enchufe ni desenchufe el aparato con las manos húmedas.
- Desenchufe siempre el aparato:
 - en los días lluviosos,
 - antes de limpiar o realizar otras operaciones de mantenimiento,
 - si queda sin supervisión durante las vacaciones.
- La limpieza y el mantenimiento son operaciones que deberá realizar un adulto mayor de 18 años familiarizado con el

- riesgo de descargas eléctricas.
- Cuando el aparato no se vaya a utilizar durante un tiempo (por ejemplo, en invierno), el kit de hidromasaje o piscina debe guardarse en el interior.
 - **Advertencia:** Lea las instrucciones antes de usar el aparato y cada vez que lo instale o vuelva a montarlo.
 - Conserve las instrucciones en un lugar seguro. Si pierde las instrucciones, póngase en contacto con el fabricante o descargue una copia de www.bestwaycorp.com
 - **Advertencia: Para la seguridad eléctrica, se ha integrado un PRCD en un cable de corriente. Si se detecta una fuga de corriente de más de 10mA, el dispositivo cortará la alimentación eléctrica. En ese caso, desenchufe y deje de utilizar el hidromasaje de inmediato. No restablezca el aparato por su cuenta. Debe ponerse en contacto con el servicio técnico local para que compruebe y repare el producto.**
 - Este aparato no está pensado para ser utilizado por personas (incluidos niños) con capacidades físicas, sensoriales o mentales reducidas o con falta de experiencia y conocimiento, a no ser que sea bajo supervisión o después de recibir instrucciones precisas respecto al uso del aparato de una persona responsable de su seguridad. En presencia de niños, mantenga el aparato bajo control para evitar que jueguen con él. (Solo para mercados distintos de la UE)
 - Este aparato puede ser utilizado por niños mayores de 8 años y personas con capacidades físicas, sensoriales o mentales disminuidas o con falta de experiencia y conocimiento si cuentan con la supervisión adecuada o reciben instrucciones precisas respecto al uso del aparato de forma segura y comprenden los riesgos asociados. No permita que los niños jueguen con el aparato. Las operaciones de limpieza y mantenimiento no deben ser realizadas por niños sin supervisión. (Para el mercado de la UE)
 - El agua atrae a los niños: cubra el hidromasaje después de cada uso.
 - No entierre cables. Coloque el cable de manera que no pueda ser dañado por cortacéspedes, cortasetos y otros equipos.
 - Riesgo de ahogamiento accidental. Extreme las precauciones para evitar el uso no autorizado de los niños. Para evitar accidentes, asegúrese de que los niños utilicen el hidromasaje única y exclusivamente cuando cuenten con la supervisión de un adulto en todo momento.
 - **RIESGO DE DAÑOS.** Nunca ponga en marcha el hidromasaje si los tubos de entrada / salidas están rotos o ausentes. No intente reemplazar los tubos de entrada / salida. Consulte siempre con su centro de servicios posventa local.
 - **RIESGO DE DESCARGAS ELÉCTRICAS.** Instale como mínimo a 2 m de cualquier superficie metálica.
 - **RIESGO DE DESCARGAS ELÉCTRICAS.** No ponga en marcha ningún dispositivo eléctrico cuando esté dentro del hidromasaje o cuando su cuerpo esté mojado. No coloque ningún dispositivo eléctrico (lámparas, teléfonos, radios o tv) a menos de 2 m del hidromasaje.
 - Sumergirse en agua caliente durante el embarazo puede provocar daños en el feto. Limite el uso a 10 minutos cada vez.
 - **PARA REDUCIR EL RIESGO DE LESIONES:**
 - A.** El agua del hidromasaje no debe exceder en ningún caso los 40°C (104°F). Las temperaturas del agua comprendidas entre los 38°C (100°F) y los 40°C (104°F) se consideran seguras para un adulto sano. Las temperaturas más bajas están recomendadas para niños y cuando el tiempo de uso del hidromasaje sobrepasa los 10 minutos.
 - B.** Ya que las temperaturas muy elevadas tienen muchas posibilidades de causar daños fetales durante los primeros meses del embarazo, las mujeres embarazadas o que sospechen que están embarazadas deben limitar la temperatura del agua del hidromasaje a 38°C (100°F).
 - C.** Antes de entrar en el hidromasaje, el usuario debería medir la temperatura del agua con un termómetro de precisión, puesto que la tolerancia de los dispositivos de regulación de la temperatura del agua varía.
 - D.** El consumo de alcohol, drogas o fármacos antes o durante el uso del hidromasaje puede provocar inconsciencia con la posibilidad de ahogamiento.
 - E.** Las personas obesas y las personas con afecciones cardíacas, presión arterial alta o baja, problemas del sistema circulatorio o diabetes deberían consultar con un médico antes de utilizar un hidromasaje.
 - F.** En caso de consumo de fármacos consulte con un médico antes de utilizar el hidromasaje, ya que algunos fármacos pueden inducir somnolencia y otros pueden afectar a la frecuencia cardíaca, la presión arterial y la circulación.
 - **PARA REDUCIR EL RIESGO DE LESIONES:** No vierta agua con una temperatura superior a 40°C (104°F) directamente en el hidromasaje.
 - El consumo de alcohol, drogas o medicación puede incrementar de manera importante el riesgo de hipertermia fatal. La hipertermia es un fenómeno que se produce cuando la temperatura interna del cuerpo supera en varios grados la temperatura corporal normal de 37°C (98,6°F). Los síntomas de la hipertermia incluyen un incremento en la temperatura interna del cuerpo, mareo, letargo, somnolencia y desvanecimiento. Los efectos de la hipertermia incluyen incapacidad para percibir el calor; incapacidad para reconocer la necesidad de salir del jacuzzi o hidromasaje; inconsciencia respecto a un peligro inminente; daño fetal en mujeres embarazadas; incapacidad física para salir del hidromasaje o jacuzzi; y pérdida de conocimiento resultante con peligro de ahogamiento.
 - Las instalaciones eléctricas deben cumplir la normativa nacional en materia de cableado. Consulte con un electricista cualificado para cualquier duda relacionada.

CONSULTE CON SU MÉDICO PARA RESOLVER DUDAS.

PRECAUCIÓN:

- El hidromasaje no debe instalarse o dejarse en ambientes con una temperatura inferior a 4°C (40°F).
- No deje el hidromasaje sin supervisión.
- Aquellas personas con enfermedades infecciosas no deberían utilizar un hidromasaje.
- No utilice el hidromasaje inmediatamente después de practicar una actividad intensa.
- Entre y salga del hidromasaje despacio y con cuidado. Las superficies húmedas son resbaladizas.
- Para evitar dañar la bomba, el hidromasaje nunca debe ponerse en funcionamiento a menos que esté lleno de agua.
- Salga inmediatamente del hidromasaje si se siente incómodo o somnoliento.
- En ningún caso añada agua a los productos químicos. Añada siempre los productos químicos al agua para evitar vapores o reacciones violentas que puedan provocar aerosoles químicos peligrosos.
- Por lo que respecta a la información relativa a la limpieza, el mantenimiento y la eliminación del agua, consulte la sección "MANTENIMIENTO".
- Por lo que respecta a la información relativa a la instalación, consulte el párrafo siguiente del manual.

NOTA:

- Revise el equipo antes del uso. Informe a Bestway mediante la dirección de atención al cliente proporcionada en este manual para cualquier daño o pieza ausente en el momento de la compra. Compruebe que los componentes del equipo sean los correspondientes a los modelos que quiere adquirir.
- Este producto no está destinado a usos comerciales.

ADVERTENCIA PARA LA BOMBA DE AIRE ELÉCTRICA (para Palm Springs HydroJet):

La bomba de aire eléctrica no es parte del hidromasaje. Consulte el manual de la bomba de aire eléctrica por seguridad.

Se prohíbe encarecidamente utilizar el cable de prolongación de la bomba de aire de la piscina para el hidromasaje.

Después de instalar la piscina, la bomba de aire y el cable de prolongación deben desconectarse de la fuente de alimentación y guardarse en interiores.

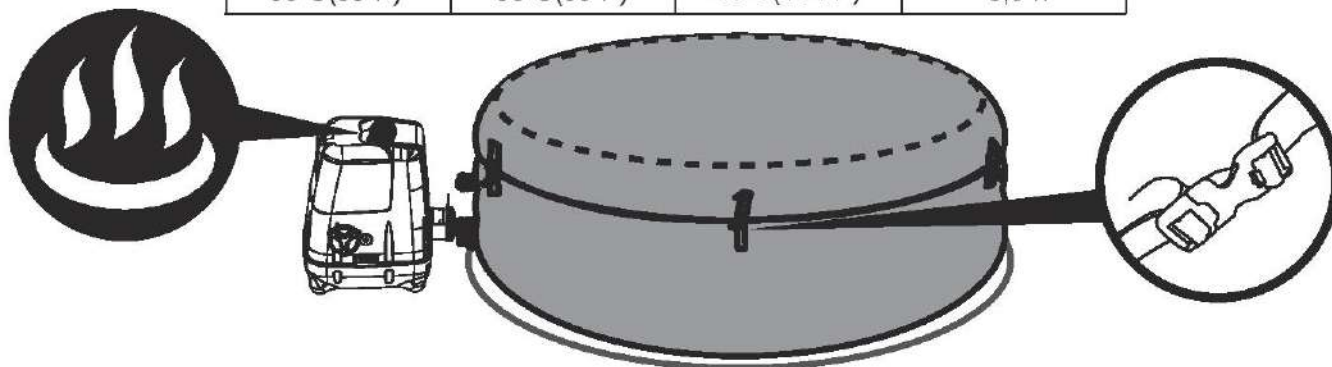
El tiempo de funcionamiento del motor no debe superar los 20 minutos.

PRECAUCIÓN: PARA EVITAR LOS RIESGOS DE SUFRIR DESCARGAS ELÉCTRICAS, NO EXPONGA ESTE DISPOSITIVO A LA LLUVIA O AL AGUA. SOLO PARA USO DOMESTICO.

CONSERVE ESTAS INSTRUCCIONES ¡IMPORTANTE!

Para alcanzar 40°C (104°F), la duración de calentamiento requerida depende de la temperatura del agua al inicio y de la temperatura ambiente. Los datos siguientes deben considerarse solo una referencia. Para visualizar la temperatura actual del agua, ponga en funcionamiento el sistema de filtrado durante un minuto por lo menos.

Temperatura ambiente	Temperatura del agua	Temperatura programada	Duración del calentamiento
10°C(50°F)	10°C(50°F)	40°C(104°F)	18,5 h
15°C(59°F)	15°C(59°F)	40°C(104°F)	15 h
20°C(68°F)	20°C(68°F)	40°C(104°F)	11,5 h
25°C(77°F)	25°C(77°F)	40°C(104°F)	8,5 h
30°C(86°F)	30°C(86°F)	40°C(104°F)	5,5 h

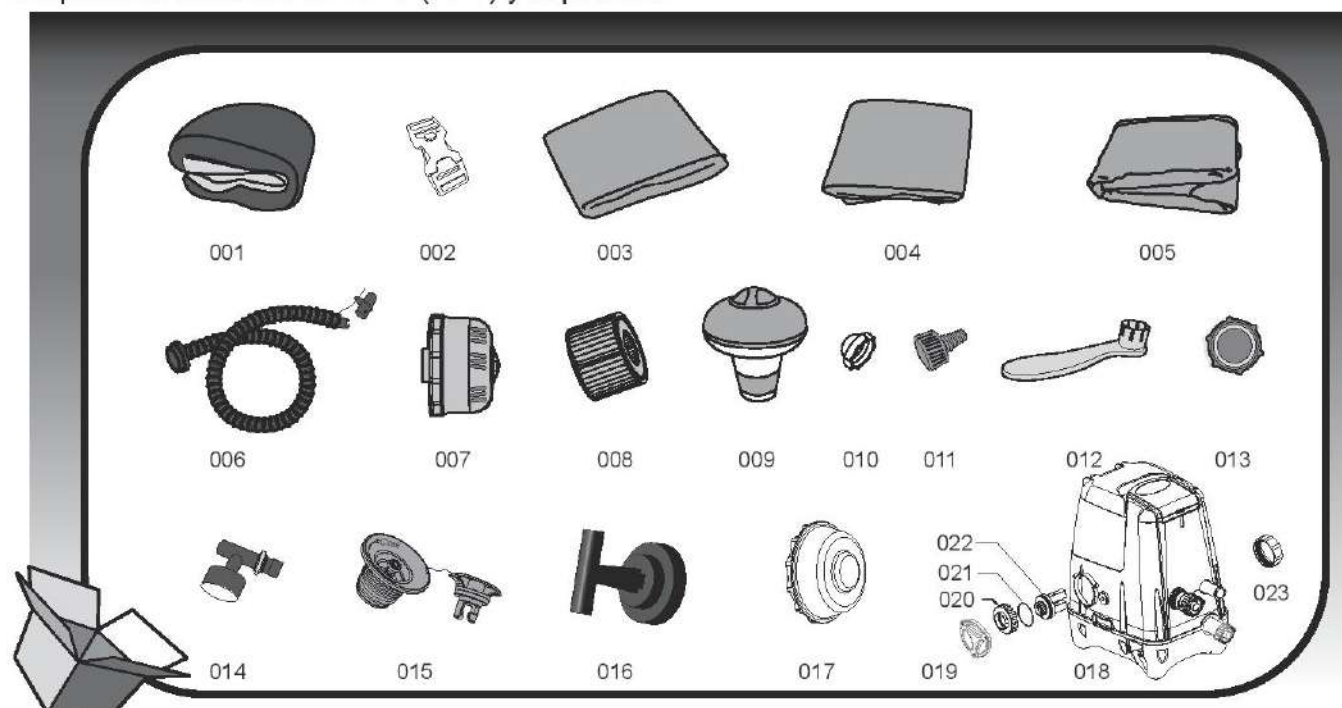


Asegúrese de cubrir el hidromasaje con su cubierta cuando la función de calentamiento esté activa. Dejar el hidromasaje descubierto aumentará el tiempo de calentamiento necesario. No utilice el hidromasaje cuando la temperatura ambiente sea inferior a 4°C (39°C).

ESPECIFICACIONES PARA LAY-Z-SPA™ HAWAII HYDROJET PRO (#54138)

Capacidad:	4-6 adultos	Generador de aire para masaje:	800 W	Bomba de chorro:	1200 W
Capacidad (agua):	795 l (210 gal)	Calefactor:	2000 W a 20°C	Flujo de agua real:	1325 l/h (350 gal/h)
Dimensiones inflado:	1,80m x 1,80m x 71cm (71" x 71" x 28")	Bomba:	Circulación 50 W Bomba de filtrado	Clasificación de potencia:	220-240 V CA, 2060 W a 20°C
Peso lleno:	867 kg (1911 lb)	Capacidad de temperatura:	40°C (104°F)	Presión de trabajo:	1,2 PSI (0,08 bar)
Calentamiento aumentado:	Aproximadamente 1,5-2°C/h (3-4°F/h)	Boquillas de chorro:	8 unidades	Sistema de agua salada:	20 W

NOTA: La velocidad de calentamiento anterior se basa en pruebas de laboratorio llevadas a cabo a una temperatura ambiente de 25°C (77°F) y superiores.

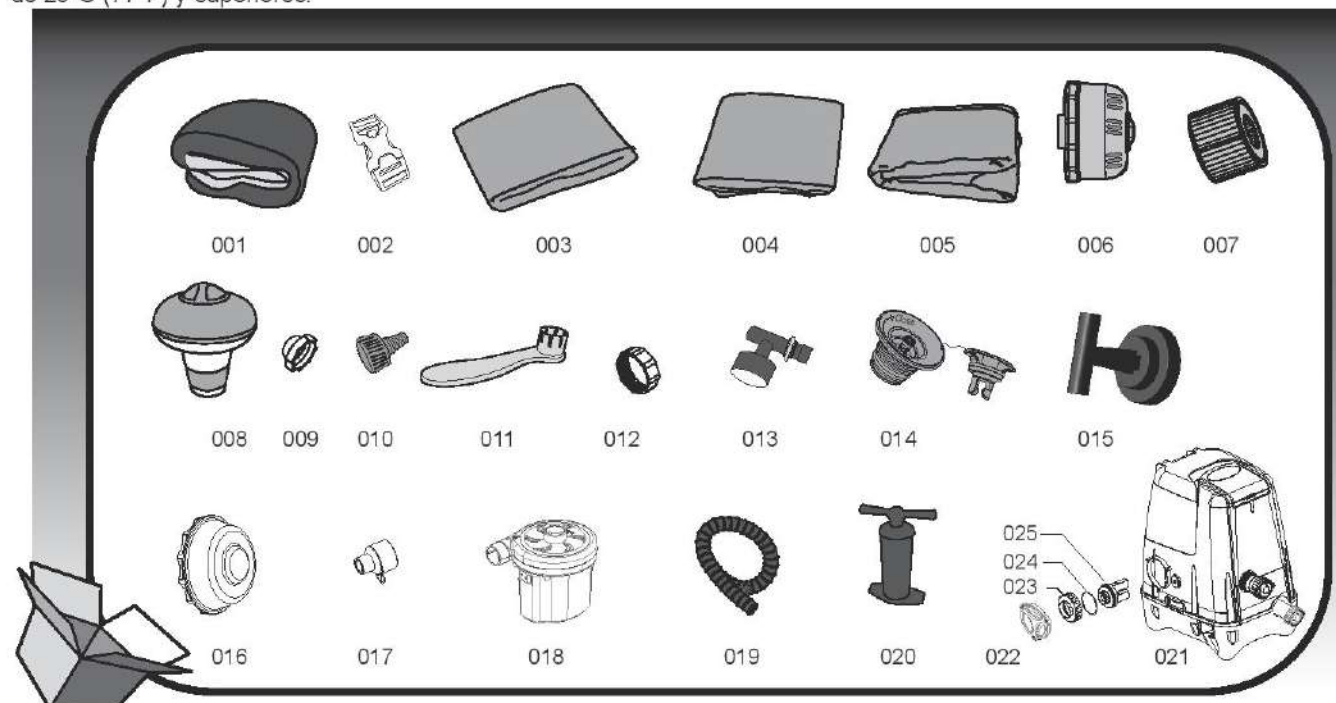


N.º de pieza	Código de pieza	Descripción	CANT.
001	54138TASS17	Revestimiento de piscina	1
002	F6414ASS16	Arnés	8
003	P5511GASS17	Cubierta de imitación de piel	1
004	54138GASS17	Cubierta inflable	1
005	58371(H)S16	Tapete de la base	1
006	P6930	Tubo de inflado	1
007	P6653	Conjunto de filtro	1
008	58323	Cartucho de filtro	2
009	58426S17	Flotador químico	1
010	P6575	Tope (para salida del filtro)	1
011	P6H565	Adaptador de tubo	1
012	F6H189	Llave (para válvula de aire)	1
013	P6611	Cubierta del adaptador A	1
014	P61199	Manómetro	1
015	P6H971	Válvula de inflado	1
016	P61385	Llave (para sistema del clorador salino)	1
017	P61290	Tapón (para entrada de chorro de agua)	1
018	P4H125ASS17	Bomba de hidromasaje	1
019	P61334	Tapón	1
020	P61386	Tuerca de la célula electrolítica	1
021	P61388	Junta tórica de la célula electrolítica	1
022	P61387	Célula electrolítica	1
023	P61587	Tope de la piscina de hidromasaje	2

ESPECIFICACIONES PARA LAY-Z-SPA™ PALM SPRINGS HYDROJET (#54144)

Capacidad:	4-6 adultos	Sistema de agua salada:	20 W	Bomba de chorro:	1200 W
Capacidad (agua):	795 l (210 gal)	Calefactor:	2000 W a 20°C	Flujo de agua real:	1325 l/h (350 gal/h)
Dimensiones inflado:	1,96 m x 71 cm (77" x 28")	Bomba:	Circulación 50 W Bomba de filtrado	Clasificación de potencia:	220-240 V CA, 2060 W a 20°C
Peso lleno:	864 kg (1905 lb)	Capacidad de temperatura:	40°C (104°F)	Presión de trabajo:	1,2 PSI (0,08 bar)
Calentamiento aumentado:	Aproximadamente 1,5-2°C/h (3-4°F/h)	Boquillas de chorro:	8 unidades	Bomba de aire CA:	110 W

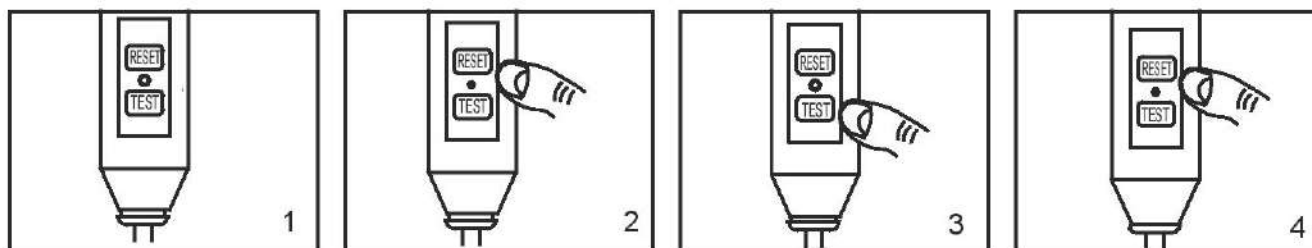
NOTA: La velocidad de calentamiento anterior se basa en pruebas de laboratorio llevadas a cabo a una temperatura ambiente de 25°C (77°F) y superiores.



N.º de	Código de pieza	Descripción	CANT.
001	54144TASS17	Revestimiento para piscina	1
002	F6414ASS16	Arnés	6
003	P5532GASS17	Cubierta de imitación piel	1
004	54144GASS17	Cubierta inflable	1
005	58321(H)S15	Tapete de la base	1
006	P6653	Conjunto de filtro	1
007	58323	Cartucho de filtro (VI)	2
008	58426S17	Flotador químico	1
009	P6575	Tope	1
010	P6H565	Adaptador de tubo	1
011	F6H189	Llave (para válvula de aire)	1
012	P61587	Tope de la piscina de hidromasaje	2
013	P61199	Manómetro	1
014	P6H971	Válvula de inflado	1
015	P61385	Llave (para sistema del clorador salino)	1
016	P61290	Tapón (para entrada de chorro de agua)	1
017	P61330	Adaptador de tubo para bomba de aire CA	1
018	P61329	Bomba de aire CA	1
019	P61327	Tubo de inflado	1
020	P61326	Bomba de mano	1
021	P4H127ASS17	Bomba de hidromasaje	1
022	P61334	Tapón	1
023	P61386	Tuerca de la célula electrolítica	1
024	P61388	Junta tórica de la célula electrolítica	1
025	P61387	Célula electrolítica	1

Prueba de la bomba

Prueba de PRCD



NOTA: Las ilustraciones se incluyen únicamente a título indicativo. Puede que no se correspondan con el producto real. No a escala.

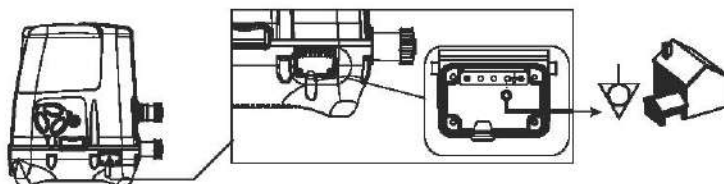
1. Inserte el enchufe.
2. Pulse el botón de reinicio (RESET): la luz indicadora se enciende.
3. Pulse el botón de prueba (TEST): la luz indicadora se apaga.
4. Pulse el botón de reinicio (RESET): la luz indicadora se enciende.
5. Pulse el botón de encendido/apagado (On/Off) durante 2 segundos, la bomba ya está lista para su uso.



ADVERTENCIA: Para evitar el riesgo de descarga eléctrica, el enchufe PRCD debe probarse antes de cada uso.

ADVERTENCIA: Antes de insertar el enchufe en una toma de corriente, asegúrese de que la tensión nominal de la toma de corriente se adapta a la bomba.

ADVERTENCIA: Si esta prueba falla no utilice la bomba y póngase en contacto con nuestro Servicio Posventa.



TERMINAL DE PUESTA A TIERRA EQUIPOTENCIAL DE LA BOMBA DE HIDROMASAJE

Se recomienda que un electricista cualificado conecte la bomba de hidromasaje a un terminal de toma de tierra mediante un conductor de cobre de (mínimo) 2,5 mm².

MONTAJE

ADVERTENCIA: La ubicación elegida debe poder soportar la carga esperada.

ADVERTENCIA: Se debe proveer un sistema de drenaje adecuado para afrontar posibles inundaciones tanto en las instalaciones en interiores como en las exteriores.

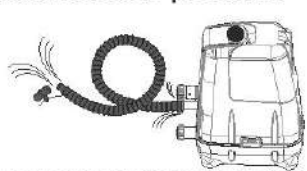
NOTA: Solo el hidromasaje Hydro-Jet Pro tiene el botón del sistema de masaje Lay-Z-Massage. Durante el inflado, notará que sale un poco de aire de la zona donde el tubo se conecta a la bomba, esto es normal y previene daños provocados por un inflado excesivo.

NOTA: No usar un compresor de aire para inflar la piscina.

NOTA: No arrastre la piscina sobre terrenos irregulares, esto podría causar daños en el revestimiento de piscina.

NOTA: El tiempo de inflado debe usarse como referencia.

NOTA: El manómetro debe usarse solo para el inflado. Su valor sirve solo como referencia. No debe usarse como instrumento de precisión.

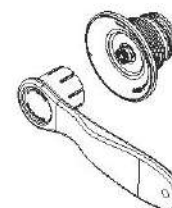
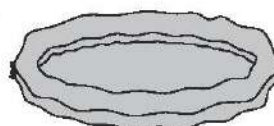
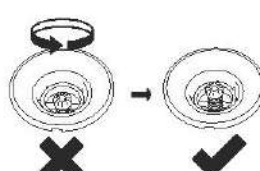


Comprobación de la válvula de aire

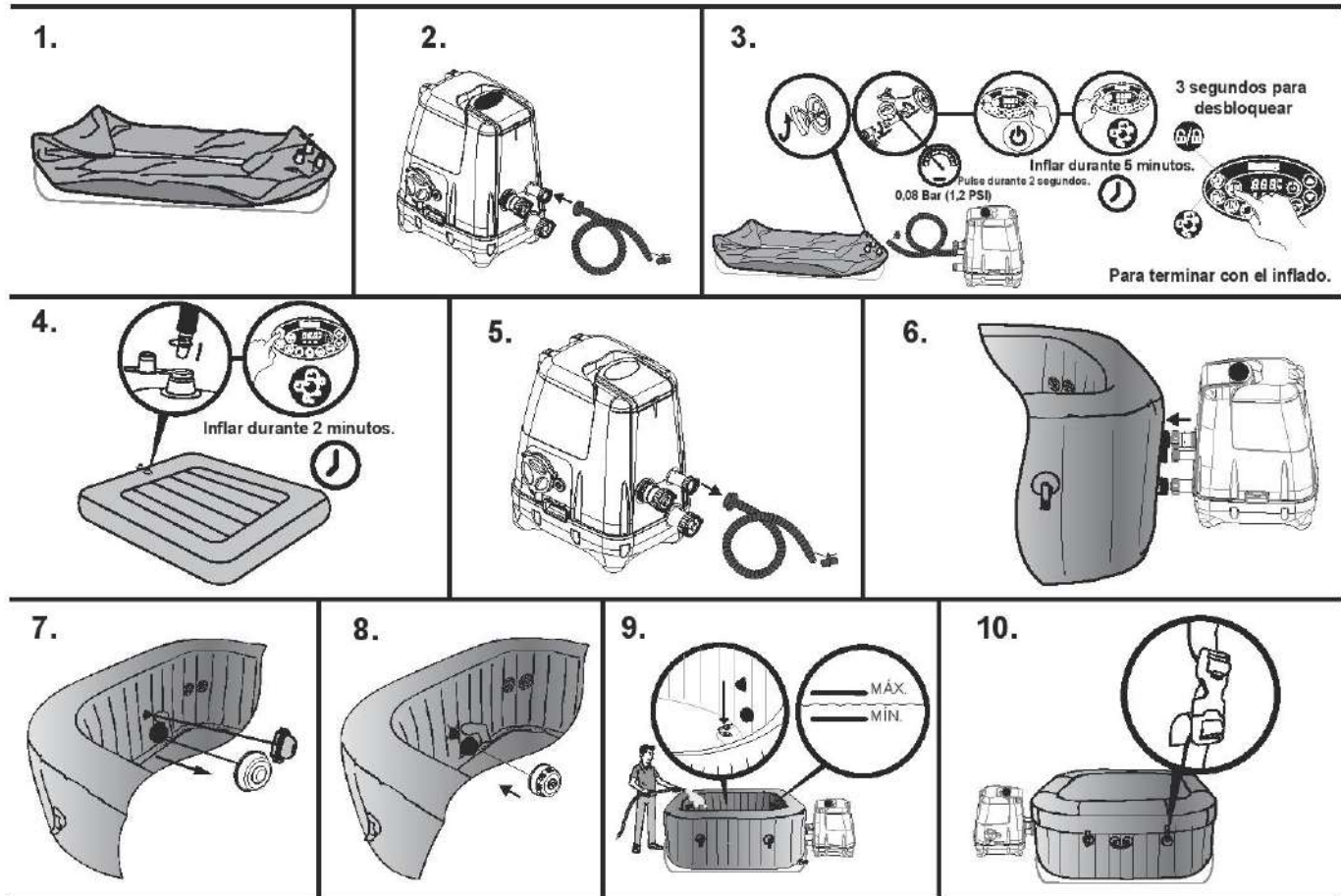
Compruebe cuidadosamente la válvula de aire antes del inflado para garantizar que no haya ninguna fuga de aire. Si la válvula de aire está suelta, use la llave incluida para apretar la válvula siguiendo estos pasos: Sostenga con una mano la parte posterior de la válvula de aire del interior de la pared del hidromasaje y gire la tuerca en sentido horario.

NOTA:

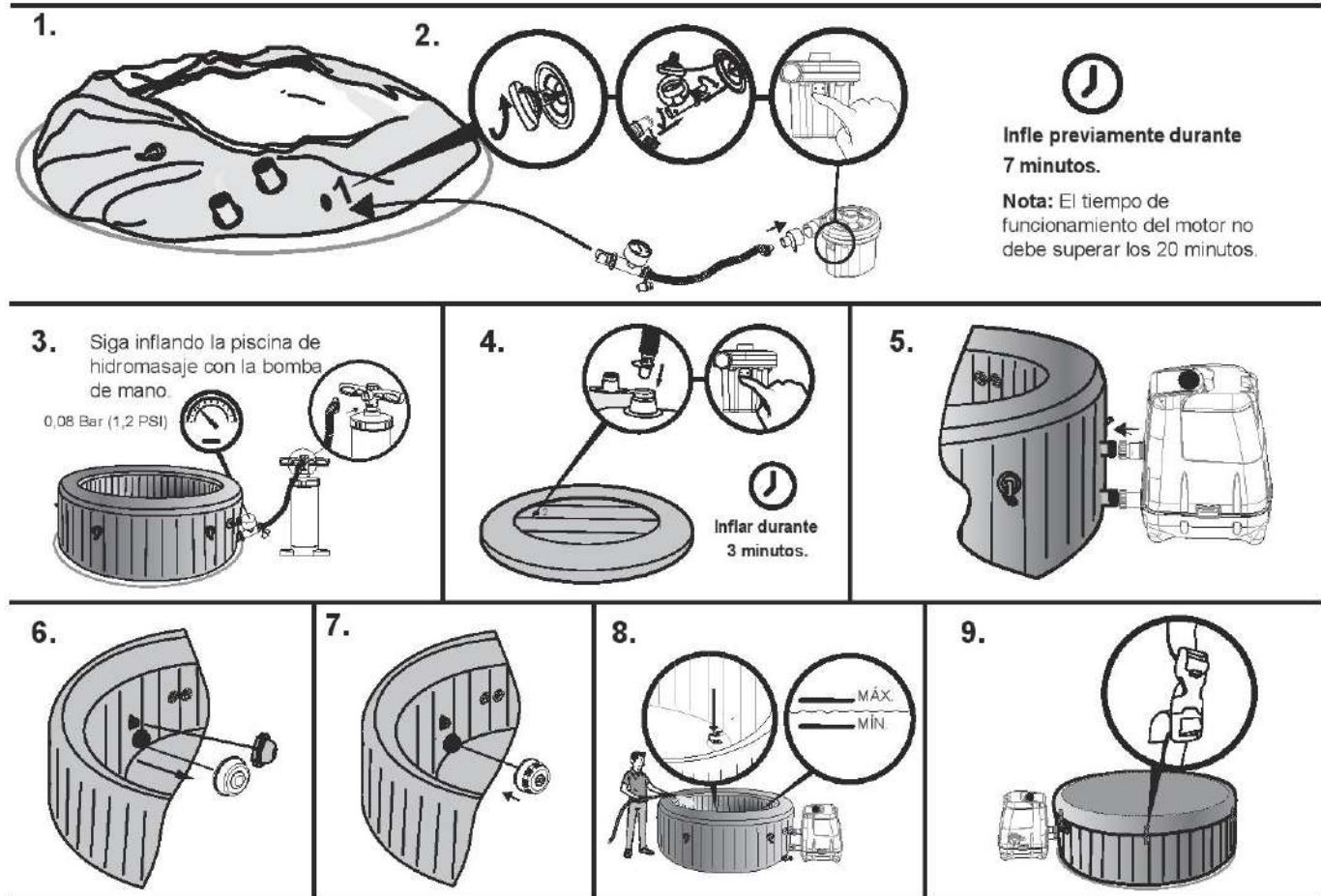
1. No apriete en exceso.
2. No ajuste el conector de la válvula de aire cuando el hidromasaje se encuentre en uso.



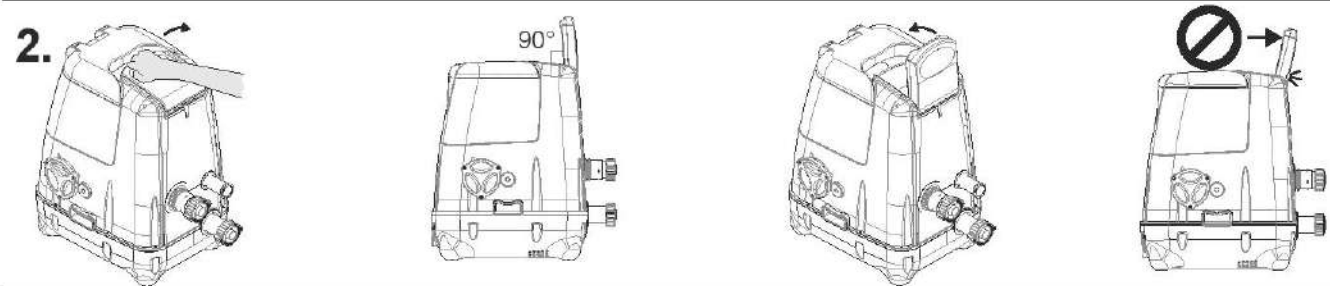
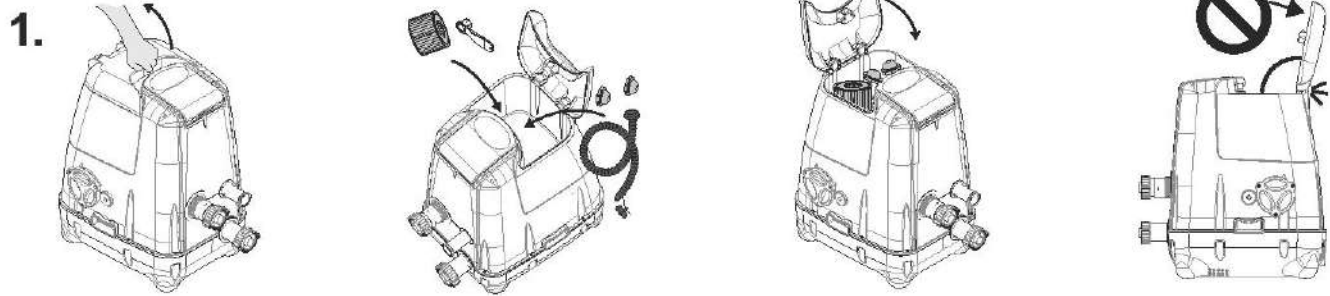
MONTAJE PARA HAWAII HYDROJET PRO (#54138)



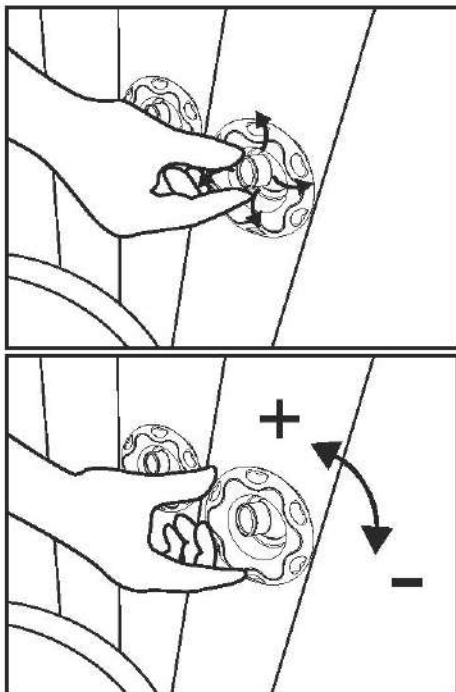
MONTAJE PARA PALM SPRINGS HYDROJET (#54144)



FUNCIONAMIENTO



3. Ajuste de las boquillas de chorro



5. Reinicio del calentamiento

Cuando utilice por primera vez el Lay-Z-Spa, o después de un largo periodo de inactividad, asegúrese de presionar el botón de restablecimiento (reset) de la bomba con un objeto pequeño y fino.

BOTÓN DE RESTABLECIMIENTO INSTRUCCIONES DE USO IMPORTANTES

Si la temperatura en el panel de control (o la temperatura del agua) no ha cambiado en las 4-5 horas siguientes a la activación del sistema de calentamiento, use un objeto fino para pulsar el botón de restablecimiento (RESET) y reinicie el sistema de calentamiento.

IMPORTANTE: El sistema de calentamiento no funcionará si la temperatura exterior es superior a 40°C (104°F) o si el Lay-Z-Spa se encuentra bajo la luz directa del sol.

En estas condiciones, espere hasta un momento más fresco del día antes de pulsar el botón de restablecimiento (RESET) con un objeto fino y reinicie el sistema de calentamiento. Esta acción debe repetirse cada vez que la bomba se encuentre en las condiciones anteriores.

4. Instrucciones para el sistema del clorador salino

NOTA: Para usar el sistema de clorador salino, añada sal al agua siguiendo estos pasos:

- (1). Encienda el sistema HydroJet para que el agua empiece a circular.
- (2). Mantenga el sistema de clorador salino apagado.
- (3). Añada 4,4 lbs / 2 kg de sal en la piscina de hidromasaje de manera gradual, utilice solo cloruro de sodio (NaCl), sal pura en un 99,9%, o bolitas de sal para acondicionar el agua (la forma comprimida de sal evaporada, tardará más en disolverse). Mantenga en funcionamiento el sistema HydroJet durante 5 minutos.
- (4). Cuando se haya disuelto toda la sal, encienda el sistema de clorador salino y establezca el tiempo de funcionamiento (consulte las instrucciones del botón del sistema de clorador salino).

NOTA: Cubra el hidromasaje durante el proceso de cloración del agua.

E11 Añada sal si el nivel de sal es demasiado bajo. Si no se ha añadido suficiente sal, la pantalla mostrará el código de error "E11".

- (1). Desenchufe el hidromasaje y vuelva a enchufarlo, a continuación pulse el botón de reinicio ("Reset").
- (2). Ponga en funcionamiento el sistema HydroJet.
- (3). Añada y disuelva de manera gradual 1,1 lbs / 0,5 kg de sal.
- (4). Inicie el sistema del clorador salino.
- (5). Si el código "E11" permanece, siga los pasos anteriores hasta que el código "E11" desaparezca.

E10 Quite sal si el nivel de sal es demasiado elevado. Si se ha añadido demasiada sal, la pantalla mostrará el código de error "E10".

- (1). Desenchufe el hidromasaje.
- (2). Vacíe aproximadamente un 20% del agua y vuelva a llenar.
- (3). Inicie el sistema del clorador salino.
- (4). Si el código "E10" permanece, siga los pasos anteriores hasta que el código "E10" desaparezca.

- A** Botón de bloqueo/desbloqueo
La bomba posee una función de bloqueo automático de 5 minutos. La luz LED se volverá más tenue cuando la bomba esté bloqueada (ninguna función activa). Para bloquear o desbloquear la bomba, pulse el botón de bloqueo / desbloqueo durante 3 segundos.
- B** Botón del sistema de masaje Lay-Z-Massage (para Hydro-Jet Pro)
Utilice este botón para activar el sistema de masaje, que cuenta con una función de interrupción automática después de 30 minutos. La luz situada encima del botón del sistema Lay-Z-Massage es roja cuando la función está activa.

IMPORTANTE: No ponga en funcionamiento el sistema Lay-Z-Massage con la cubierta acoplada. Se podrá acumular aire dentro del hidromasaje, lo que causaría daños irreparables a la cubierta y lesiones corporales.
NOTA: El sistema de masaje y calentamiento trabajan juntos para crear una experiencia de masaje óptima y confortable.

- C** Botón del sistema HydroJet
Este botón enciende y apaga la bomba de agua. La luz situada encima del botón del sistema HydroJet es roja cuando la función está activa.
Nota: El sistema se apagará automáticamente después de 1 hora.
Nota: No haga funcionar el sistema HydroJet en seco.

- D** Botón de calentamiento
Utilice este botón para activar el sistema de calentamiento. Cuando la luz situada encima del botón de calentamiento sea roja, el sistema estará activo. Cuando la luz sea verde, el agua se encontrará a la temperatura establecida y el sistema de calentamiento estará en modo reposo.

NOTA: Si el sistema de calentamiento está activo, el sistema de filtrado se iniciará automáticamente.
NOTA: El sistema de filtrado seguirá en funcionamiento después de apagar el sistema de calentamiento.

- E** Botón de filtrado de agua
Este botón enciende y apaga la bomba de filtrado. La luz situada encima del botón de filtrado de agua es roja cuando la función está activa.
NOTA: La función integrada de tratamiento de aguas duras funciona en automático.

- F** Botón del sistema de clorador salino
Utilice este botón para encender el sistema de clorador salino y establecer el tiempo de funcionamiento. Puede establecer el tiempo de funcionamiento de 3 a 5 y a 8 horas pulsando el botón del sistema de clorador salino. Después de establecer el tiempo de funcionamiento, el sistema de clorador salino se pondrá en marcha automáticamente.

NOTA: No pulse ningún botón del panel y cubra el hidromasaje durante el funcionamiento del clorador. Puede reajustar el tiempo de funcionamiento pulsando el botón del sistema de clorador salino.
NOTA: Compruebe regularmente el agua y asegúrese de que el nivel de cloro libre se encuentre entre 2-4 ppm.

- G** INSTRUCCIONES PARA Botón de temporizador de ahorro energético
Esta es una función recientemente añadida, diseñada para ayudar a evitar el desperdicio energético mediante el establecimiento de la hora y la duración del ciclo de calentamiento del hidromasaje.
De este modo, podrá disfrutar de su hidromasaje a la hora deseada, sin necesidad de dejar encendido el calentador todo el tiempo.

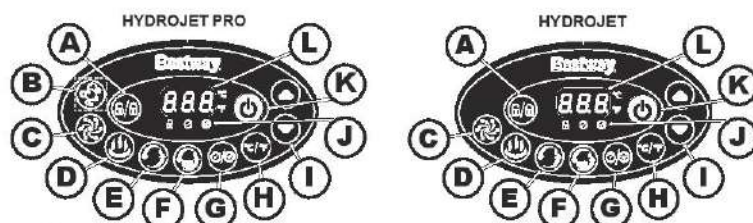
PASO 1: Establezca la duración del calentamiento
1. Pulse el botón hasta que el LED empiece a parpadear.
2. Pulse el botón para ajustar la duración del calentamiento (de 1 a 48 horas).
3. Vuelva a pulsar el botón para confirmar la duración del calentamiento.

PASO 2: Configure el número de horas que deben pasar DESDE AHORA antes de que el calentador se active

1. Después de configurar la duración del calentamiento, el LED empezará a parpadear.
2. Pulse el botón para establecer las horas hasta el momento de activación (De 0 a 99 horas).
3. Vuelva a pulsar el botón o no toque nada durante 10 segundos para confirmar el ajuste.
El LED se iluminará sin parpadear, y empezará la cuenta atrás para la activación del calentador.

Para modificar los ajustes del temporizador: Pulse el botón y utilice el botón para ajustar los valores.

Cancelar los ajustes: Pulse el botón durante 2 segundos.



NOTA: Después de realizar los ajustes, la pantalla mostrará la temperatura actual y la hora alternativamente.
NOTA: Los valores de ajuste del temporizador (cantidad de tiempo con el calentamiento encendido) deben ser de 1 a 48 horas. El tiempo previo (el número de horas que deben pasar DESDE AHORA antes de que el calentador se active) debe configurarse con valores de 0 a 99 horas. Si el temporizador se ajusta a 0 horas, significa que la función Temporizador no ha sido establecida.
El temporizador es de un uso a la vez; el usuario configura la duración del ciclo de calentamiento y la cantidad de horas desde ahora en que el calentador comenzará a funcionar. La función del temporizador NO se repite hasta el restablecimiento.

- H** Alternancia Celsius/Fahrenheit
 Se puede mostrar la temperatura en grados tanto Celsius como Fahrenheit.

- I** Botones de ajuste de la temperatura
 Presionar los botones de aumento o descenso de la temperatura hará que el LED parpadee. Cuando esté parpadeando, podrá ajustar la temperatura deseada. Si mantiene apretados estos botones, los valores crecerán o disminuirán rápidamente. La nueva temperatura deseada permanecerá durante tres segundos en la pantalla LED para confirmar el nuevo valor.

NOTA: La temperatura predeterminada es 35°C (95°F).
NOTA: Los ajustes de temperatura pueden variar de 20°C (68°F) a 40°C (104°F).

- J** LED de temporizador de ahorro energético
Si esta luz LED parpadea, significa que usted está estableciendo la duración del calentamiento. La luz se encenderá cuando se inicie el calentamiento.
Si esta luz LED parpadea, significa que usted está estableciendo el número de horas DESDE AHORA en las que el calentador se activará. Cuando la luz está encendida, significa que se ha establecido la función de temporizador de ahorro energético.

- K** Botón de encendido / apagado
 Pulse este botón durante 2 segundos para activar los botones del panel de control; la luz se enciende de color verde. Pulse este botón durante 2 segundos para desactivar todas las funciones activadas.

- L** Pantalla LED
 Una vez encendido, el LED muestra la temperatura del agua actual automáticamente.
 Después de 72 horas de filtrado (sin utilizar la función de temporizador de ahorro energético), la bomba entrará en modo hibernación y parpadeará la señal "Fin" ("End") con la temperatura actual del agua. Cuando la bomba esté hibernando, las funciones de calentamiento y filtrado del agua estarán inhabilitadas. Para volver a activar la bomba, pulse el botón de bloqueo / desbloqueo durante 3 segundos.

NOTA: El calentamiento del agua podría cambiar en las circunstancias siguientes:
- Cuando la temperatura exterior es inferior a 15°C (59°F).
- Si la cubierta no está colocada cuando la función de calentamiento está activa.
NOTA: Para visualizar la temperatura actual del agua, ponga en funcionamiento el sistema de filtrado durante un minuto por lo menos. La temperatura del agua obtenida con un termómetro externo podría diferir de la temperatura mostrada en el panel del hidromasaje debido a las diferentes partes de los instrumentos de medición.

Alarmas

Causas	Motivos	Soluciones
E01 Los sensores de caudal de agua funcionan sin presionar el botón de filtrado o calentamiento.	1. Los indicadores de los sensores de caudal de agua no bajaron y no se posicionaron correctamente. 2. Los sensores del caudal de agua están rotos.	1. Desenchufe la bomba, golpee con firmeza (pero sin violencia) el lateral de la bomba y vuelva a enchufarla. 2. Póngase en contacto con su centro de servicio posventa de Bestway local para solicitar instrucciones.
E02 Después del arranque o durante las funciones de filtrado y/o calefacción, los sensores del caudal de agua no detectan el caudal de agua.	1. Se olvidó de retirar los 2 tapones tope del interior de la piscina. 2. Los cartuchos de filtro están sucios. 3. Active el sistema de filtrado o calentamiento y coloque la mano delante de la tubería de salida en el interior de la piscina para comprobar si sale agua. a. Si no sale agua, la bomba de agua está rota. b. Sale agua pero se activa la alarma . Los sensores de caudal de agua están rotos.	1. Retire los dos tapones de tope antes de poner en funcionamiento el sistema de calentamiento. Consulte la sección "Montaje" del manual. 2. Retire el conjunto de filtrado del interior de la piscina y pulse el botón de filtrado o calentamiento. Si no aparece ningún mensaje de alarma, limpie o cambie los cartuchos de filtrado y vuelva a instalar el conjunto de filtrado en el interior de la piscina. 3. Póngase en contacto con su centro de servicio posventa de Bestway local para solicitar instrucciones.
E03 El termómetro de la bomba indica una temperatura inferior a 4 °C (40 °F).	1. La temperatura del agua es inferior a 4°C (40°F). 2. Si la temperatura del agua es superior a 7°C (44,6°F), el termómetro de la bomba está roto.	1. El hidromasaje no ha sido diseñado para funcionar con temperaturas del agua por debajo de los 4°C (40°F). Desenchufe la bomba y vuelva a encenderla únicamente cuando la temperatura del agua alcance los 6°C (43°F). 2. Póngase en contacto con su centro de servicio posventa de Bestway local para solicitar instrucciones.
E04 El termómetro de la bomba indica una temperatura superior a 50°C (122°F).	1. La temperatura del agua es superior a 50°C (122°F). 2. Si la temperatura del agua es superior a 45°C (113°F), el termómetro de la bomba está roto.	1. El hidromasaje no ha sido diseñado para funcionar con temperaturas del agua por encima de los 40°C (104°F). Desenchufe la bomba y vuelva a encenderla únicamente cuando la temperatura del agua sea igual o inferior a 38°C (100°F). IMPORTANTE: Antes de volver a encender la bomba, pulse el botón de restablecimiento. 2. Póngase en contacto con su centro de servicio posventa de Bestway local para solicitar instrucciones.
E05 Las conexiones del termómetro de la bomba presentan algún problema.	1. Los conectores del termómetro de la bomba no funcionan correctamente. 2. El termómetro de la bomba está roto.	Póngase en contacto con su centro de servicio posventa de Bestway local para solicitar instrucciones.
E08 El disparador térmico manual de restablecimiento presenta algún problema.	El disparador térmico manual de restablecimiento presenta algún problema.	1. Desenchufe la bomba y presione el botón de restablecimiento, después vuelva a enchufar la bomba. 2. En caso de que la alarma persista, compruebe la sección BOTÓN DE RESTABLECIMIENTO del manual. 3. Póngase en contacto con su centro de servicio posventa de Bestway local para solicitar instrucciones.
E09 104°C (219°F) Fallo del fusible.	El fusible está desconectado.	Póngase en contacto con su centro de servicio posventa de Bestway local para solicitar instrucciones.
E10 Aviso de niveles elevados de sal.	Se ha añadido demasiada sal o se ha evaporado demasiada agua.	1. Siga las instrucciones en la sección Funcionamiento para quitar la sal. 2. Póngase en contacto con su centro de servicio posventa de Bestway local para solicitar instrucciones.
E11 Aviso de niveles bajos de sal.	No hay suficiente sal para desinfectar.	1. Siga las instrucciones en la sección Funcionamiento para añadir sal al agua. 2. Póngase en contacto con su centro de servicio posventa de Bestway local para solicitar instrucciones.
E12 Fuga de agua dentro de la bomba.	El sistema ha detectado una fuga de agua dentro de la bomba.	Póngase en contacto con su centro de servicio posventa de Bestway local para solicitar instrucciones.
E13 Línea de señal desconectada.	La línea de señal entre el panel de control y el tablero de alimentación no está bien conectado.	Póngase en contacto con su centro de servicio posventa de Bestway local para solicitar instrucciones.

MANTENIMIENTO

NOTA: Podría ser necesario aplicar aire adicional al hidromasaje de vez en cuando. Los cambios de temperatura del día a la noche cambiarán la presión del hidromasaje, lo que podría causar un cierto desinflado. Siga las instrucciones de montaje y vacíe el hidromasaje antes de volver a inflarlo para alcanzar la presión necesario.

PRECAUCIÓN: DEBE ASEGURARSE DE QUE LA BOMBA ESTÁ DESENCHUFADA ANTES DE INICIAR ACTIVIDADES DE MANTENIMIENTO.

Mantenimiento del cartucho del filtro

NOTA: Para garantizar que el agua del hidromasaje permanece limpia, compruebe y limpie sus cartuchos de filtrado a diario. Siga los pasos siguientes.

NOTA: Recomendamos que cambie sus cartuchos de filtro una vez por semana. Si los cartuchos de filtro siguen estando sucios y descoloridos, deberán cambiarse.

Mantenimiento del agua

Para mantener el agua de su hidromasaje limpia, es necesario mantener su equilibrio químico. Solamente limpiar el cartucho de filtro no es suficiente para este propósito. Consulte las siguientes recomendaciones:



1. Utilice el sistema de clorador salino integrado regularmente. El agua salada pasa por la célula electrolítica del clorador para producir cloro, que se disuelve instantáneamente en el agua. El cloro empieza a eliminar bacterias y algas y a oxidar otras materias orgánicas de inmediato.

Le sugerimos que, la primera vez que lo utilice, configure el tiempo de funcionamiento en 8 horas con agua fresca y utilice una tira reactiva para asegurarse que los niveles de cloro libre se encuentren entre 2-4 ppm. Aumente el tiempo de funcionamiento si la temperatura del agua es elevada o si el hidromasaje no está cubierto, utilice el sistema del clorador cada 24 horas si se utiliza el hidromasaje, el tiempo de funcionamiento depende de los resultados de la prueba y de la frecuencia de uso del hidromasaje.

NOTA: Compruebe la concentración de cloro libre dos veces al día cuando utilice el sistema del clorador por primera vez. Cuando la concentración de cloro libre se vuelva estable, compruébela una vez a la semana para asegurarse de que los niveles de cloro libre se encuentren entre 2-4 ppm.

NOTA: No utilice el hidromasaje cuando la concentración de cloro libre supere las 4 ppm.

2. Utilice productos químicos para mantener el equilibrio químico del agua y tabletas de cloro o de bromo (no utilice gránulos) con el flotador químico.

Utilizar tabletas químicas (no incluidas)

(Referencia: ácido tricloroisocianúrico 3-6 g)



Utilizar soluciones químicas (no incluidas)

(Consulte las instrucciones de las soluciones químicas adquiridas)



El agua se debe cambiar cada 3 días o más con un correcto mantenimiento químico. La calidad del agua se ve afectada por la frecuencia de uso, el número de personas que utilizan el hidromasaje y el mantenimiento general.

NOTA: Recomendamos ducharse antes de utilizar el Lay-Z-Spa. Los productos cosméticos, lociones y otros residuos de la piel pueden degradar rápidamente la calidad del agua.

NOTA: Retire el flotador químico del hidromasaje cuando el hidromasaje esté siendo usado.

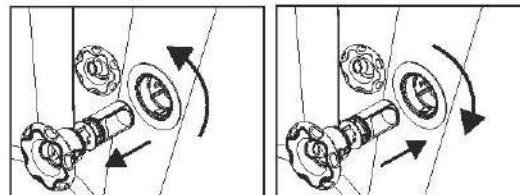
IMPORTANTE: Después de realizar el mantenimiento químico y antes de utilizar el hidromasaje, utilice un kit de pruebas (no incluido) para comprobar la composición química del agua. Recomendamos que mantenga el agua según las indicaciones de la tabla siguiente.

pH	Alcalinidad total	Cloro libre
7,4-7,6	80-120 ppm	2-4 ppm

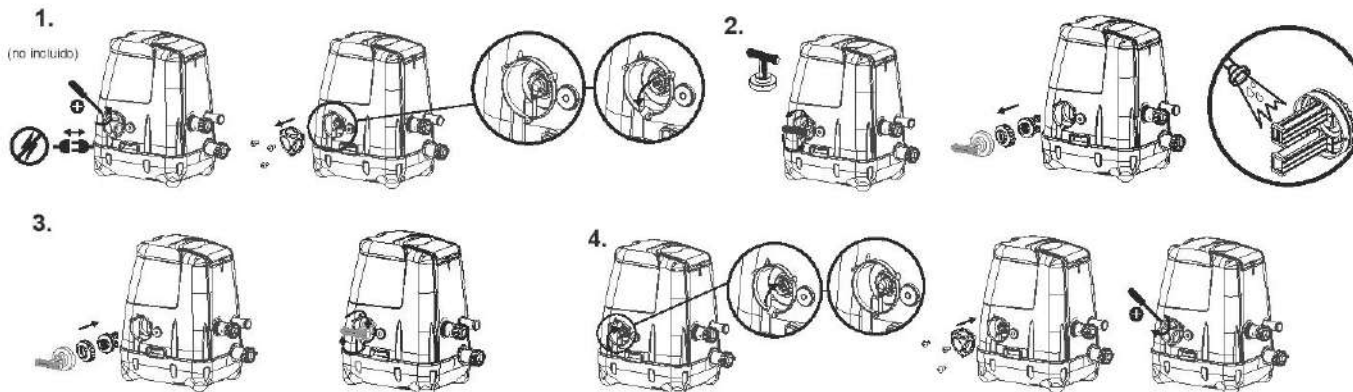
NOTA: Los daños resultantes de un desequilibrio químico no están cubiertos por la garantía. Los productos químicos para piscinas son potencialmente tóxicos y deben manejarse con cuidado. Existen riesgos graves para la salud derivados de los vapores químicos y del incorrecto etiquetado y almacenamiento de los recipientes de productos químicos. Consulte con su proveedor local de piscinas para solicitar información sobre el mantenimiento químico. Siga atentamente las instrucciones del fabricante de los productos químicos. Los daños al hidromasaje derivados de un uso inapropiado de los productos químicos y de la mala gestión del agua del hidromasaje no están cubiertos por la garantía.

Mantenimiento de las boquillas de chorro

- Hágalas girar hasta oír un "clio" y retire la boquilla de chorro para limpiar los residuos.
- Introdúzcalas de nuevo y gire en sentido horario para volver a colocarlas.



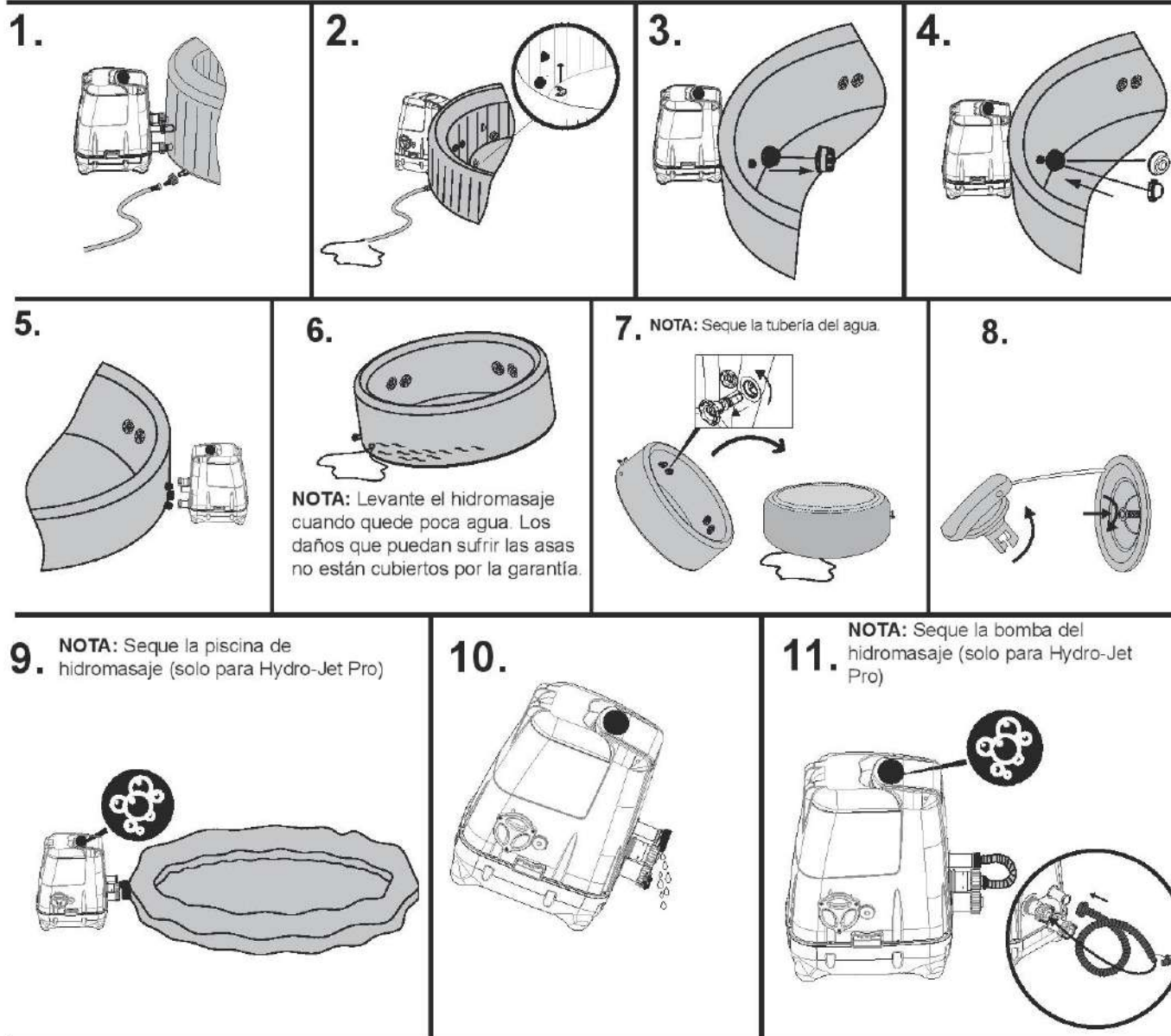
Mantenimiento del sistema de clorador salino



NOTA: Si quedan depósitos después del lavado, coloque la célula electrolítica en un recipiente, vierta vinagre de cocina en el recipiente y sumerja las placas de titanio durante cuatro horas. Luego, vuelva a lavarlas. Repita la operación si es necesario.

Vaciado del hidromasaje

NOTA: Las ilustraciones se incluyen únicamente a título indicativo. Puede que no se correspondan con el producto real. No a escala.



Limpiar el hidromasaje

Los residuos de detergente y los sólidos disueltos de los trajes de baño y los productos químicos podrían acumularse en las paredes del hidromasaje. Utilice agua y jabón para limpiar las paredes y después aclárelas abundantemente.

NOTA: NO utilice cepillos duros o productos de limpieza abrasivos.

Reparación del hidromasaje

Para la cubierta inflable del hidromasaje

Si el hidromasaje presenta alguna rotura o algún pinchazo, use el parche de alta resistencia incluido.

1. Limpie la zona a reparar.
2. Retire el parche con cuidado de su soporte.
3. Presione el parche sobre la zona a reparar.
4. Espere 30 minutos antes de volver a inflar.

Para el revestimiento del hidromasaje

Si el hidromasaje presenta alguna rotura o algún pinchazo, use el parche de reparación de PVC incluido y cola (no incluida) siguiendo los pasos siguientes:

1. Limpie y seque la zona que desea reparar.
2. Recorte el parche de PVC incluida para obtener el tamaño adecuado.
3. Utilice cola (no incluida) para recubrir un lado del parche recortado. Compruebe que la cola esté distribuida de forma homogénea.
4. Espere 30 segundos y aplique el parche encolado sobre la zona dañada.
5. Elimine cualquier burbuja de aire que pudiera haber quedado atrapada debajo del parche y presione con firmeza durante dos minutos.
6. Espere 30 minutos antes de volver a inflar.
7. El producto ya vuelve a estar listo para su uso. Repita este proceso si apareciesen nuevas fugas.

Almacenamiento del Lay-Z-Spa

Antes de almacenarlo, asegúrese de que el hidromasaje y la bomba estén completamente secos. Esto es esencial para alargar la vida útil del hidromasaje. Recomendamos utilizar la bomba para secar con aire el hidromasaje, la bomba y las tuberías. Retire los conjuntos de filtro y deseche los cartuchos de filtro usados. Vuelva a conectar los dos tapones de tope en las válvulas de entrada y salida del hidromasaje. Se recomienda que guarde el hidromasaje dentro de su confección original en un lugar cálido y seco.

NOTA: El plástico se vuelve quebradizo y frágil cuando queda expuesto a temperaturas bajo cero. La congelación puede dañar seriamente el hidromasaje. Una preparación para el invierno incorrecta del hidromasaje puede dejar sin validez su garantía.



Eliminación Significado del símbolo del cubo de basura tachado con una cruz: No deseche los aparatos eléctricos como residuos urbanos no seleccionados. Utilice las instalaciones de recogida selectiva de residuos. Diríjase a las autoridades locales para obtener información sobre los sistemas de recogida disponibles. Si los aparatos eléctricos se desechan en basureros o vertederos, pueden filtrarse sustancias peligrosas en las aguas subterráneas y entrar en la cadena alimentaria, dañando su bienestar y su salud. Cuando se sustituyen aparatos viejos por otros nuevos, el vendedor está obligado por la ley a retirar su aparato usado para su eliminación de forma gratuita.

RESOLUCIÓN DE PROBLEMAS Bestway se esfuerza por ofrecer los hidromasajes que causen menos problemas del mercado. Si experimenta cualquier tipo de problema, no dude en ponerse en contacto con Bestway o con su vendedor autorizado. Aquí encontrará algunos consejos útiles para ayudarle a diagnosticar y corregir algunas causas de problemas comunes.

Problemas	Posibles causas	Soluciones
La bomba no funciona	<ul style="list-style-type: none"> - Falta de alimentación - El circuito de alimentación está roto 	<ul style="list-style-type: none"> - Compruebe la fuente de alimentación - Póngase en contacto con su centro de servicio posventa de Bestway local para solicitar instrucciones
La bomba no calienta adecuadamente	<ul style="list-style-type: none"> - Temperatura ajustada demasiado baja - Cartucho de filtro sucio - Desconexión del disyuntor térmico - El calentador no funciona 	<ul style="list-style-type: none"> - Configure su sistema de calentamiento a una temperatura más alta (consulte la sección de Funcionamiento de la bomba) - Limpie/sustituya el cartucho de filtro (consulte la sección de Limpieza y sustitución del cartucho de filtro) - Pulse el botón de restablecimiento de la bomba (consulte la sección de Funcionamiento de la bomba) - Póngase en contacto con su centro de servicio posventa de Bestway local para solicitar instrucciones
El sistema Lay-Z-Massage no funciona	<ul style="list-style-type: none"> - La bomba de aire se ha sobrecalentado - El sistema de masaje del Lay-Z- Spa se detiene automáticamente - La bomba de aire está rota 	<ul style="list-style-type: none"> - Desenchufe la bomba y espere dos horas hasta que la bomba se enfríe. Inserte el enchufe y pulse el botón del sistema Lay-Z-Massage - Pulse el botón del sistema Lay-Z-Massage para reactivarlo - Póngase en contacto con su centro de servicio posventa de Bestway local para solicitar instrucciones
Los adaptadores de bomba no están a nivel respecto a los adaptadores de hidromasaje	<ul style="list-style-type: none"> - Una característica del PVC es que cambia de forma, algo perfectamente normal 	<ul style="list-style-type: none"> - Puede elevar la bomba con un trozo de madera o cualquier otro tipo de material aislante para poner a nivel los adaptadores de la bomba respecto a los adaptadores del hidromasaje
Fuga de la piscina de hidromasaje	<ul style="list-style-type: none"> - El hidromasaje presenta alguna rotura o algún pinchazo - La válvula de aire está suelta 	<ul style="list-style-type: none"> - Use el parche de reparación incluido - Cubra la válvula de aire con agua jabonosa para comprobar si está dejando escapar el aire. Si así fuera, utilice la llave proporcionada para ajustar la válvula de aire siguiendo estos pasos: <ol style="list-style-type: none"> 1. Desinfe el hidromasaje. 2. Sostenga con una mano la parte posterior de la válvula de aire del interior de la pared del hidromasaje y gire la tuerca en sentido horario.
El agua no está limpia	<ul style="list-style-type: none"> - Tiempo de filtrado insuficiente - Cartucho de filtro sucio - Mantenimiento del agua incorrecto - El sistema de desinfección no funciona - La placa de titanio estaba recubierta - Tiempo de desinfección insuficiente 	<ul style="list-style-type: none"> - Aumente el tiempo de filtrado - Limpie/sustituya el cartucho del filtro (consulte la sección sobre limpieza y sustitución del cartucho del filtro) - Consulte las instrucciones del fabricante de los productos químicos - Compruebe la fuente de alimentación o póngase en contacto con el servicio posventa de Bestway local para solicitar instrucciones - Limpie las placas de titanio (consulte la sección de Mantenimiento del sistema de clorador salino)
Error al realizar el test PRCD	Su hidromasaje es defectuoso	Póngase en contacto con su centro de servicio posventa de Bestway local y devuelva el hidromasaje
El sistema HydroJet no funciona	<ul style="list-style-type: none"> - La bomba de agua se ha sobrecalentado - La bomba de agua está rota 	<ul style="list-style-type: none"> - Desenchufe la bomba y espere dos horas hasta que la bomba se enfríe. Enchufe y vuelva a intentarlo - Póngase en contacto con su centro de servicio posventa de Bestway local para solicitar instrucciones
El panel de control no funciona	<ul style="list-style-type: none"> - El panel de control tiene un bloqueo automático, que se activa al cabo de 5 minutos de inactividad. La pantalla LED tiene un icono:  si el icono de bloqueo está resaltado, el panel de control está bloqueado. 	<ul style="list-style-type: none"> - Para desbloquear el panel de control, pulse el botón  durante 3 segundos. - Si el panel de control no se desbloquea, reinicie la bomba: desenchufe y vuelva a enchufar la bomba. - Pulse el botón de encendido / apagado (on/off) durante 2 segundos. - Si el problema persiste, póngase en contacto con el centro de servicios posventa de Bestway local para solicitar instrucciones.
¿Qué tipo de tratamientos químicos deberían utilizarse para el mantenimiento del agua?	Consulte con su proveedor local de tratamientos químicos para solicitar información al respecto. Siga atentamente las instrucciones del fabricante de los productos químicos.	
Hay fugas de agua en los adaptadores entre la bomba y el hidromasaje	<p>Inserte los tres tapones tope en los puertos del hidromasaje para evitar que escape el agua y desconecte la bomba. Compruebe y asegúrese de que las juntas estén correctamente colocadas en el interior de los adaptadores de bomba. Si faltan juntas o no están instaladas correctamente, póngase en contacto con el centro de servicios posventa de Bestway local para solicitar instrucciones. Si las juntas están correctamente colocadas en posición, vuelva a conectar la bomba al hidromasaje y apriete los adaptadores a mano.</p>	

Garantía de fabricante limitada BESTWAY®

El producto que ha comprado viene acompañado de una garantía limitada. En Bestway® cumplimos nuestra garantía de calidad y le aseguramos, mediante una garantía de sustitución, que su producto estará libre de defectos de fabricación.

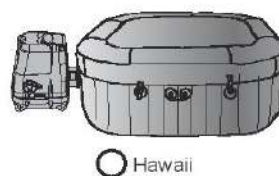
Si desea presentar una reclamación en garantía, cumplimente este impreso y envíelo a su centro de servicios posventa de Bestway local acompañado de una copia del recibo de compra. Póngase en contacto con su centro de servicios posventa de Bestway antes de enviar cualquier documento. Dicho centro le informará debidamente de lo necesario para tramitar su reclamación. Bestway® no sustituirá aquellos productos que hayan recibido un trato inadecuado o se hayan utilizado sin respetar las instrucciones de uso aplicables.

La garantía de Bestway cubre los defectos de fabricación descubiertos durante el desembalaje del producto o durante su uso, tal y como se recomienda en el manual del usuario. Esta garantía se aplica solo a aquellos productos que no hayan sido modificados por terceros. El producto debe guardarse y manipularse de acuerdo con las recomendaciones técnicas.

La garantía no cubre daños provocados por uso inadecuado, abuso, uso negligente, incluyendo aunque no de manera exhaustiva: colisión, incendio, uso de tensión inadecuada, exposición a un calor excesivo, instalación inadecuada, pruebas o cableado inadecuados o almacenamiento inadecuado.

Las reparaciones y las sustituciones no amplían la duración de la garantía. La fecha de entrada en vigor de la garantía es la fecha de venta mostrada en el recibo de compra original.

Elija su hidromasaje



PARA: Departamento de servicio Bestway®

Fecha de compra: _____

FECHA: _____

Número de código de cliente: _____

FAX/E-MAIL/TEL: Consulte la información de contacto correspondiente a su país indicada en la contraportada o en la página web:

www.bestwaycorp.com

Por favor, proporcione su dirección completa y detallada. **Nota:** Las direcciones incompletas podrían provocar retrasos en los envíos.

Bestway se reserva el derecho de cobrar los nuevos envíos de los paquetes devueltos cuando el motivo de dicha devolución sea atribuible al destinatario.

INFORMACIÓN REQUERIDA - ESCRIBA LA DIRECCIÓN DE ENVÍO

Nombre: _____ Dirección: _____

Código postal: _____ Distribuidor: _____

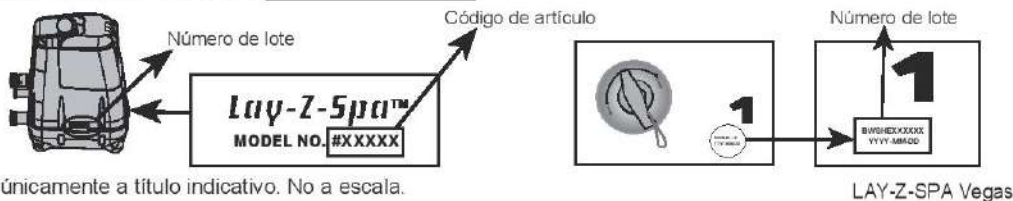
País: _____ Ciudad: _____

Nº de móvil: _____ Teléfono: _____

Fax: _____ E-mail: _____

Número de lote de la BOMBA DE HIDROMASAJE: _____ Número de lote de la PISCINA DE HIDROMASAJE: _____

Código de artículo de la BOMBA DE HIDROMASAJE: _____



Las ilustraciones se incluyen únicamente a título indicativo. No a escala.

Descripción del problema

- Fugas en el hidromasaje Filtración de agua El sistema no funciona El sistema de calentamiento no funciona
- El panel de control muestra un error que no puede solucionarse El sistema Lay-Z-Massage no funciona
- Fuga de la bomba Fuga del adaptador Piezas ausentes – Utilice el código de la pieza ausente, el cual se pueden encontrar en el manual del usuario.
- Otro (Descripción) _____

IMPORTANTE: SOLO SE SUSTITUIRÁ LA PARTE DAÑADA, NO LA TOTALIDAD DEL PRODUCTO.

Bestway se reserva el derecho de solicitar pruebas fotográficas de las piezas defectuosas o de solicitar el envío del elemento para la realización de pruebas adicionales.

Para poder ayudarle lo mejor posible, le rogamos que nos suministre información completa.

PARA CONSULTAR FAQ, MANUALES, VÍDEOS O COMPRAR PIEZAS DE REPUESTO, VISITE NUESTRA PÁGINA WEB

www.bestwaycorp.com

LOS VÍDEOS TAMBIÉN ESTÁN DISPONIBLES EN NUESTRO CANAL BESTWAY EN YOUTUBE: www.youtube.com/user/BestwayService.

INHALT

1. Sicherheitsanweisungen	S. 42
2. Technische Daten	S. 45
3. Montage	S. 47
4. Betrieb	S. 49
5. Wartung	S. 51
6. Fehlersuche	S. 53
7. Gewährleistung	S. 54



SICHERHEITSANWEISUNGEN

Bei der Installation und Benutzung dieser elektrischen Ausstattung müssen stets die grundlegenden Sicherheitsvorkehrungen getroffen und befolgt werden, einschließlich der folgenden:

WICHTIGE SICHERHEITSANWEISUNGEN - LESEN UND BEFOLGEN SIE ALLE ANWEISUNGEN.

WARNUNG:

- Das SPA muss über einen Trenntransformator oder über eine Fehlerstrom-Schutzeinrichtung (RCD) mit einem Ansprechdifferenzstrom von nicht mehr als 30mA versorgt werden.
- Die Pumpe muss vor jeder Verwendung überprüft werden. Befolgen Sie die Anweisungen im Abschnitt „Pumpentest“ dieses Handbuchs, um den Test durchzuführen.
- Falls das Netzkabel beschädigt ist, muss ein Austausch durch den Hersteller, eine autorisierte Servicestelle oder vergleichbar qualifizierte Personen erfolgen, um Gefahren zu vermeiden.
- Verwenden Sie kein Verlängerungskabel für den Anschluss der Einheit an die Energieversorgung; nutzen Sie eine ordnungsgemäß installierte Steckdose.
- Während der Benutzung des Bads darf sich kein Teil dieses Gerätes darüber befinden.
- Komponenten mit Strom führenden Teilen, mit Ausnahme von Teilen, die mit einer Sicherheitskleinspannung von nicht mehr als 12V versorgt werden, dürfen sich nicht in Reichweite von Personen innerhalb des SPA-Pools befinden; Teile, die elektrische Komponenten beinhalten, mit Ausnahme von Fernbedienungen, müssen so gelagert oder angebracht werden, dass sie nicht in den SPA-Pool fallen können.
- Der Stecker der Pumpe muss mehr als 3,5 m vom SPA entfernt sein.
- Es ist notwendig, nach der Installation des SPAs ungehinderten Zugriff auf den Stecker zu haben.

VORSICHT: Um Gefahren durch ein unbeabsichtigtes Zurücksetzen des Thermoschutzes zu vermeiden, darf dieses Gerät nicht über ein externes Schaltgerät wie zum Beispiel eine Zeitschaltuhr betrieben werden oder an einen Stromkreis angeschlossen werden, der vom Versorger regelmäßig ein- und ausgeschaltet wird.

Nach 3- bis 5-jähriger Nutzung des Spas, müssen Sie sich mit Ihrem lokalen qualifizierten Wartungstechniker in Verbindung setzen, um die Sicherheit und Leistung zu gewährleisten. Die Hauptkomponenten wie das Heizelement, der Motor des Luftgebläses und die Rückschlagventile müssen fachkundig überprüft und ersetzt werden (wenn erforderlich).

Warnung: Halten Sie den Stecker stets trocken. Das Einstecken eines feuchten oder nassen Steckers ist strengstens untersagt!

Das Spa muss von einer geerdeten Stromquelle mit Spannung versorgt werden.

- **BENUTZEN SIE DAS SPA NICHT, WÄHREND ES REGNET, UM EINEN ELEKTRISCHEN SCHLAG ZU VERMEIDEN.**
- Tragen Sie niemals Kontaktlinsen, während Sie sich in Ihrem SPA aufhalten.
- Benutzen Sie das Spa nicht während der chemischen Wasserpflege.
- Die Stromquelle an der Gebäudewand muss mehr als 4 m vom Pool entfernt sein und sich in einer Höhe von mindestens 1,2 m befinden.
- Es dürfen keine Verlängerungskabel verwendet werden.
- Stecken Sie den Netzstecker des Geräts nicht mit nassen oder feuchten Händen ein oder aus.
- Stecken Sie das Gerät immer aus:
 - an Regentagen
 - bevor Reinigungs- oder Wartungsarbeiten durchgeführt werden
 - wenn Sie das Produkt für einen längeren Zeitraum unbeaufsichtigt lassen (z. B. während des Urlaubs).
- Reinigung und Wartung durch den Benutzer müssen von einem mindestens 18 Jahre alten Erwachsenen durchgeführt werden, der sich der Gefahren eines elektrischen Schlages bewusst ist;
- Wird das Gerät für einen längeren Zeitraum, zum Beispiel im Winter, nicht benutzt, muss das SPA- oder Pool-Set demontiert und in Innenräumen gelagert werden.
- **Vorsicht:** Bitte lesen Sie diese Anweisungen vor jeder Benutzung des und bei jeder Installation bzw. Montage des Gerätes sorgfältig durch.

- Die Anweisungen sicher aufbewahren. Falls die Anweisungen fehlen, wenden Sie sich bitte an den Hersteller oder laden Sie eine Kopie herunter auf: www.bestwaycorp.com
- **Warnung: Für die elektrische Sicherheit ist eine Differenzstrom-Schutzvorrichtung (PRCD) in das Stromkabel integriert. Wird ein Fehlerstrom von mehr als 10 mA erfasst, arbeitet die Schutzeinrichtung und trennt den überwachten Stromkreis vom restlichen Stromnetz. Ziehen Sie in einem solchen Fall umgehend den Netzstecker des SPAs aus der Steckdose bzw. trennen Sie es vom Stromnetz und stellen Sie die Benutzung des SPAs ein. Führen Sie in diesem Fall bitte keinen Reset aus. Sie müssen Ihren lokalen Bestway Kundendienst kontaktieren, um das Produkt überprüfen und gegebenenfalls reparieren zu lassen.**
- Dieses Gerät darf nicht von Personen (einschließlich Kindern) mit physischen, sensorischen oder mentalen Einschränkungen oder mangelnder Erfahrung und mangelnden Kenntnissen benutzt werden, wenn diese nicht durch eine für ihre Sicherheit verantwortliche Person entsprechend beaufsichtigt werden oder mit der Bedienung des Gerätes und den damit verbundenen Gefahren vertraut gemacht wurden. Kinder müssen während der Nutzung beaufsichtigt werden, um sicherzustellen, dass sie nicht mit dem Gerät spielen. (Für Nicht-EU-Märkte)
- Dieses Gerät kann von Kindern ab 8 Jahren oder älter sowie von Personen mit physischen, sensorischen oder mentalen Einschränkungen oder mangelnder Erfahrung und mangelnden Kenntnissen benutzt werden, sofern sie entsprechend beaufsichtigt oder mit der Bedienung des Gerätes und den damit verbundenen Gefahren vertraut gemacht wurden. Kinder dürfen nicht mit dem Gerät spielen. Die Reinigung und Wartung durch den Benutzer darf von Kindern nicht ohne Beaufsichtigung durchgeführt werden. (Für den EU-Markt)
- Wasser übt eine Anziehungskraft auf Kinder aus; bringen Sie nach jeder Benutzung die SPA-Abdeckung an.
- Vergraben Sie das Kabel nicht im Boden. Verlegen Sie das Kabel so, dass die Gefahr von Beschädigungen durch Rasenmäher, Heckenscheren und andere Geräten vermieden wird.
- Risiko von Ertrinkungsunfällen. Es ist äußerste Vorsicht geboten, um unerlaubten Zugang durch Kinder zu verhindern. Um Unfälle zu vermeiden, stellen Sie sicher, dass Kinder das SPA nicht benutzen können, solange sie nicht jederzeit durch einen Erwachsenen beaufsichtigt werden.
- **RISIKO SCHWERER VERLETZUNGEN.** Benutzen Sie das SPA niemals, wenn die Zu- oder Ableitungen beschädigt sind oder fehlen. Versuchen Sie niemals, die Zu- oder Ableitungen zu ersetzen. Wenden Sie sich immer an Ihren lokalen Kundendienst.
- **GEFAHR EINES ELEKTRISCHEN SCHLAGES.** Mindestens 2 m entfernt von sämtlichen Metallflächen installieren.
- **GEFAHR EINES ELEKTRISCHEN SCHLAGES.** Benutzen Sie niemals elektrische Geräte, während Sie sich in Ihrem SPA befinden oder wenn Ihr Körper nass ist. Positionieren Sie niemals elektrische Geräte wie Lampen, Telefone Radios oder Fernsehgeräte im Umkreis von 2 m um das SPA.
- Während der Schwangerschaft kann der Aufenthalt in heißem Wasser dem Fötus schaden. Schränken Sie die Nutzungsdauer auf maximal 10 Minuten ein.
- **ZUR REDUZIERUNG DES VERLETZUNGSRISIKOS:**
 - A. Die Wassertemperatur im SPA darf 40 °C (104 °F) niemals überschreiten. Wassertemperaturen zwischen 38 °C (100 °F) und 40 °C (104 °F) werden für einen gesunden Erwachsenen als sicher angesehen. Für kleine Kinder und wenn das SPA länger als 10 Minuten benutzt wird, werden niedrigere Wassertemperaturen empfohlen.
 - B. Da hohe Wassertemperaturen in den ersten Schwangerschaftsmonaten eine erhebliche Gefahr für den Fötus darstellen, müssen schwangere oder möglicherweise schwangere Frauen die Wassertemperatur des SPAs auf 38 °C (100 °F) begrenzen.
 - C. Vor dem Betreten des SPA muss der Benutzer die Wassertemperatur mit einem genauen Thermometer messen, da die Toleranz der Wassertemperaturregler variiert.
 - D. Die Einnahme von Alkohol, Drogen oder Medikamenten vor oder während der Benutzung des SPAs kann zu Bewusstlosigkeit und Ertrinkungsgefahr führen.
 - E. Übergewichtige Personen sowie Personen, die an einer Herzerkrankung, niedrigem oder hohem Blutdruck, Kreislaufproblemen oder Diabetes leiden, müssen vor der Benutzung des Spas einen Arzt konsultieren.
 - F. Personen, die Medikamente einnehmen, müssen vor der Benutzung eines SPAs einen Arzt konsultieren, da einige Arzneimittel zu Schläfrigkeit führen, während andere Medikamente sich auf die Herzfrequenz, den Blutdruck oder den Kreislauf auswirken können.
- **ZUR REDUZIERUNG DES VERLETZUNGSRISIKOS:** Füllen Sie niemals Wasser, dessen Temperatur über 40 °C (104 °F) liegt, direkt in den SPA-Pool.
- Die Einnahme von Alkohol, Drogen oder Medikamenten kann das Risiko einer tödlichen Hyperthermie erheblich erhöhen. Hyperthermie tritt auf, wenn die Innentemperatur des Körpers eine Temperatur erreicht, die mehrere Grad über der normalen Körpertemperatur von 37 °C (98,6 °F) liegt. Die Symptome der Hyperthermie sind ein Anstieg der inneren Körpertemperatur, Schwindel, Lethargie, Schläfrigkeit, Benommenheit und Ohnmacht. Die Symptome der Hyperthermie umfassen Hitzeunempfindlichkeit; das Nichterkennen der Notwendigkeit, das SPA oder den Whirlpool zu verlassen; Nichterkennen der drohenden Gefahr; Schädigung des Fötus bei schwangeren Frauen; körperliche Unfähigkeit, das SPA oder den Whirlpool zu verlassen; sowie Bewusstlosigkeit mit Ertrinkungsgefahr.
- Die Installation von Elektrogeräten muss den lokalen und nationalen Elektrovorschriften entsprechen. Wenden Sie sich wegen jeglicher Fragen an einen Fachelektriker.

KONSULTIEREN SIE IHREN ARZT FÜR EMPFEHLUNGEN

VORSICHT:

- Das SPA darf nicht bei Temperaturen unter 4 °C (40 °F) aufgebaut werden oder im Freien verbleiben.
- Benutzen Sie das SPA nicht allein.
- Menschen mit ansteckenden Krankheiten dürfen das SPA nicht benutzen.
- Benutzen Sie das SPA nicht unmittelbar nach körperlichen Anstrengungen.
- Betreten und verlassen Sie das SPA stets langsam und vorsichtig. Nasse Oberflächen sind rutschig.
- Zur Vermeidung von Beschädigungen an der Pumpe darf das SPA nur dann betrieben werden, wenn es mit Wasser gefüllt ist.
- Verlassen Sie das SPA unverzüglich, falls Sie sich unwohl oder schläfrig fühlen.
- Geben Sie niemals Wasser zu Chemikalien. Geben Sie die Chemikalien immer ins Wasser, um starke Dämpfe oder heftige Reaktionen zu vermeiden, die zu gefährlichem Chemikaliensprühnebel führen können.
- Informationen zur Reinigung, Wasserpflege und Wasserentsorgung finden Sie im Abschnitt "WARTUNG".
- Informationen zur Installation finden Sie im nachstehenden Absatz dieses Handbuchs.

HINWEIS:

- Bitte untersuchen Sie die Ausstattung vor der Benutzung. Benachrichtigen Sie den Bestway Kundenservice unter der auf diesem Handbuch angegebenen Adresse über sämtliche zum Zeitpunkt des Kaufs beschädigten oder fehlenden Teile. Prüfen Sie, ob die Komponenten der Ausrüstung dem Modell entsprechen, das Sie kaufen wollten.
- Dieses Produkt ist nicht für den kommerziellen Einsatz bestimmt.

WARNUNG FÜR ELEKTRISCHE LUFTPUMPEN (Für Palm Springs HydroJet):

Die elektrische Luftpumpe ist nicht Bestandteil des Spas. Beachten Sie die Sicherheitsanweisungen im Benutzerhandbuch der elektrischen Luftpumpe.

Das für die Luftpumpe zum Aufblasen des Spas verwendete Verlängerungskabel darf nicht für das Spa benutzt werden.

Nach dem Aufblasen des Pools müssen die Luftpumpe sowie das Verlängerungskabel von der Stromversorgung getrennt und in Innenräumen gelagert werden.

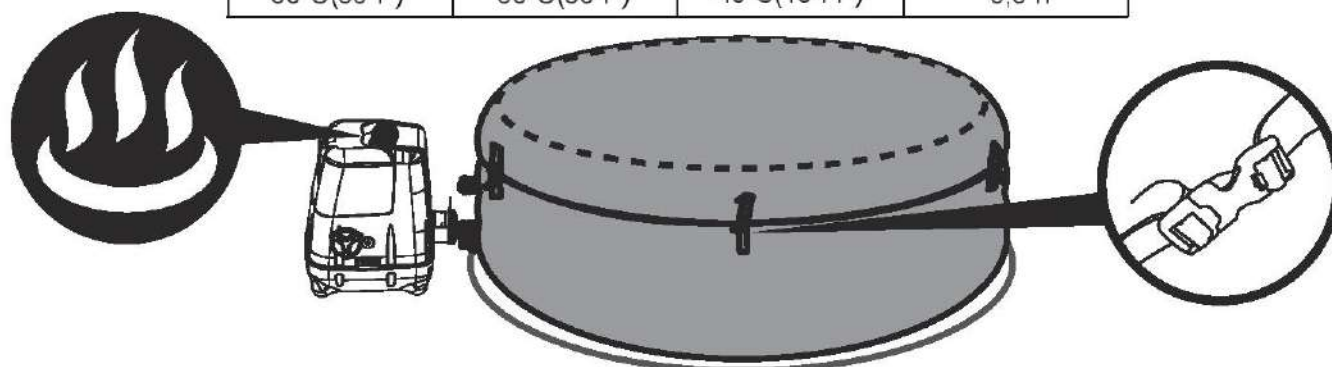
Die Betriebszeit des Motors darf 20 Minuten nicht überschreiten.

VORSICHT: SETZEN SIE DAS PRODUKT KEINEM WASSER ODER REGEN AUS, UM DIE GEFAHR EINES ELEKTRISCHEN SCHLAGES ZU VERMEIDEN. NUR FÜR DEN HAUSGEBRAUCH BESTIMMT.

BEWAHREN SIE DIESE ANWEISUNGEN AUF WICHTIG!

Die Heizdauer zum Erreichen einer Temperatur von 40°C (104°F) hängt von der anfänglichen Wassertemperatur sowie der Umgebungstemperatur ab. Die unten genannten Daten sind reine Bezugswerte. Zur Anzeige der aktuellen Wassertemperatur muss das Filtersystem mindestens eine Minute in Betrieb sein.

Umgebungstemperatur	Wassertemperatur	Eingestellte Temperatur	Heizdauer
10°C(50°F)	10°C(50°F)	40°C(104°F)	18,5 h
15°C(59°F)	15°C(59°F)	40°C(104°F)	15 h
20°C(68°F)	20°C(68°F)	40°C(104°F)	11,5 h
25°C(77°F)	25°C(77°F)	40°C(104°F)	8,5 h
30°C(86°F)	30°C(86°F)	40°C(104°F)	5,5 h

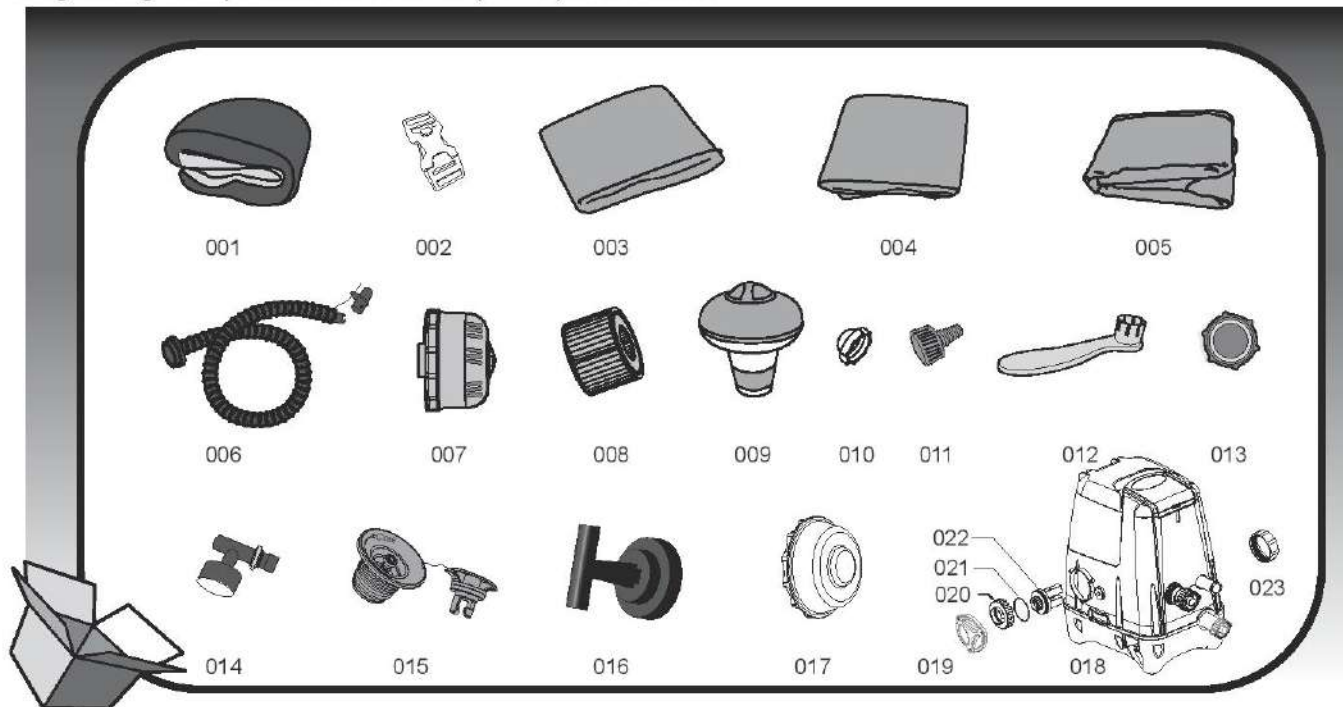


Vergewissern Sie sich, das SPA mit der SPA-Abdeckhaube zu schützen, wenn die Heizfunktion aktiviert ist. Bleibt das SPA unabgedeckt, erhöht sich die erforderliche Heizdauer. Bitte verwenden Sie das SPA nicht, wenn die Umgebungstemperatur unter 4 °C (39 °F) liegt.

TECHNISCHE DATEN FÜR LAY-Z-SPA™ HAWAII HYDROJET PRO (#54138)

Fassungsvermögen: 4 bis 6 Erwachsene	Massage-Turbogebläse: 800W	Strahlpumpe: 1200W
Max. Wassermenge 795 l (210 gal.)	Heizelement: 2.000 W bei 20 °C	Aktueller Wasserfluss: 1.325 l/h (350 gal/h)
Größe aufgeblasen: 1,80 m x 1,80 m x 71 cm (71" x 71" x 28")	Pumpe: 50W Umwälzpumpe Filterpumpe	Versorgungsspannung/ Wattleistung: 220-240 V AC, 2060W bei 20°C
Füllgewicht: 867 kg (1.911 Lb)	Temperaturkapazitäten: 40 °C (104 °F)	Betriebsdruck: 1,2 psi (0,08 bar)
Heizgeschwindigkeit: Ca. 1,5-2 °C/h (3-4 °F/h)	Strahldüsen: 8 Stk.	Salzwasser-System: 20W

HINWEIS: Die oben genannte Heizgeschwindigkeit bezieht sich auf einen Labortest bei einer Umgebungstemperatur von 25 °C (77 °F) und höher.

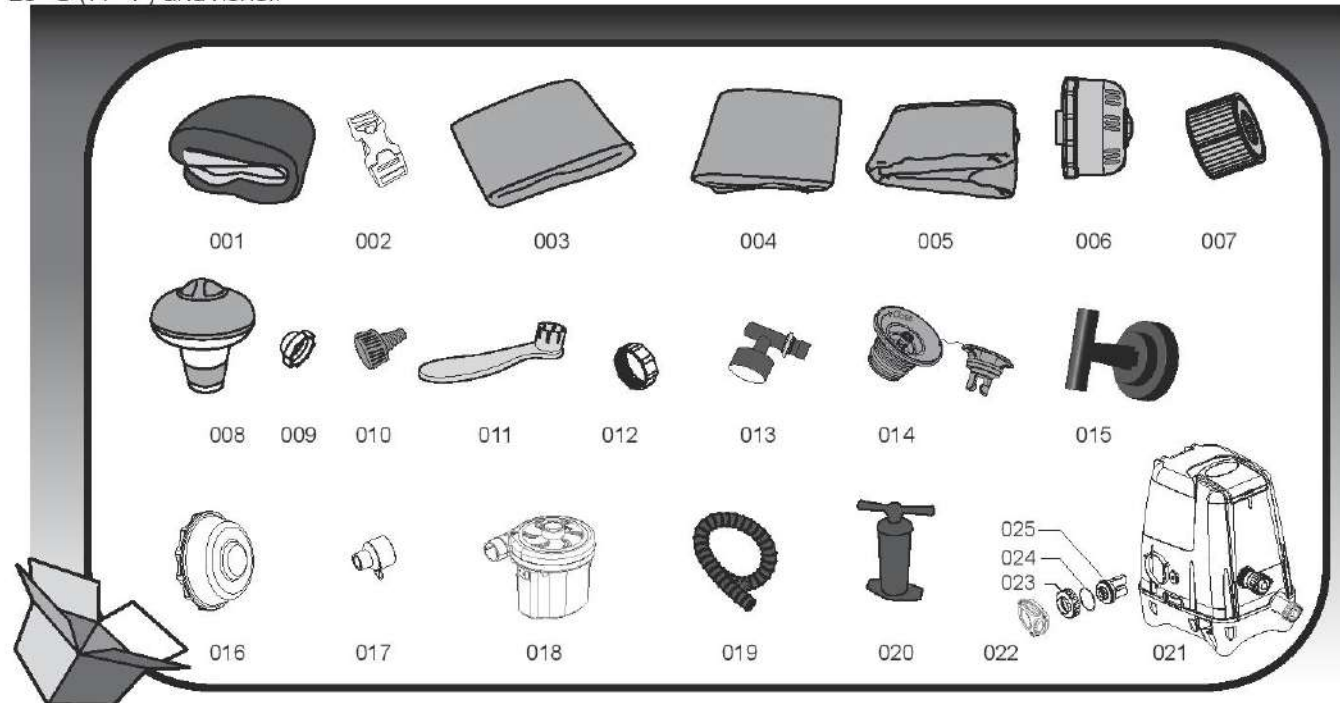


Teile-Nr.	Teile-Artikelnummer	Bezeichnung	ANZ.
001	54138TASS17	Pool-Innenverkleidung	1
002	F6414ASS16	Schnalle	8
003	P5511GASS17	Kunstleder-Abdeckung	1
004	54138GASS17	Aufblasbare Abdeckung	1
005	58371(H)S16	Bodenplane	1
006	P6930	Aufblasschlauch	1
007	P6653	Filterset	1
008	58323	Filterpatrone	2
009	58426S17	Chemikalienschwimmer	1
010	P6575	Verschlussstopfen (Für den Filterauslass)	1
011	P6H565	Schlauchadapter	1
012	F6H189	Schraubenschlüssel (Für das Luftventil)	1
013	P6611	Abdeckungsadapter A	1
014	P61199	Druckmesser	1
015	P6H971	Aufblasventil	1
016	P61385	Schraubenschlüssel (Für das Salz-Chlorinator-System)	1
017	P61290	Verschlussstopfen (Für den Wasserstrahleinlass)	1
018	P4H125ASS17	Spa-Pumpe	1
019	P61334	Deckel	1
020	P61386	Mutter Elektrolysezelle	1
021	P61388	O-Ring Elektrolysezelle	1
022	P61387	Elektrolysezelle	1
023	P61587	Spa-Pool-Verschlussstopfen	2

TECHNISCHE DATEN FÜR LAY-Z-SPA™ PALM SPRINGS HYDROJET (#54144)

Fassungsvermögen: 4 bis 6 Erwachsene	Salzwasser-System: 20W	Strahlpumpe: 1200W
Max. Wassermenge 795 l (210 gal.)	Heizelement: 2.000 W bei 20 °C	Aktueller Wasserfluss: 1.325 l/h (350 gal/h)
Größe aufgeblasen: 1,96 m x 71 cm (77" x 28")	Pumpe: 50 W Umwälz-Filterpumpe	Versorgungsspannung/ Wattleistung: 220-240V AC, 2060W bei 20°C
Füllgewicht: 864 kg (1.905 Lb)	Temperaturkapazitäten: 40 °C (104 °F)	Betriebsdruck: 1,2 psi (0,08 bar)
Heizgeschwindigkeit: Ca. 1,5-2 °C/h (3-4 °F/h)	Strahldüsen: 8 Stk.	Elektropumpe: 110W

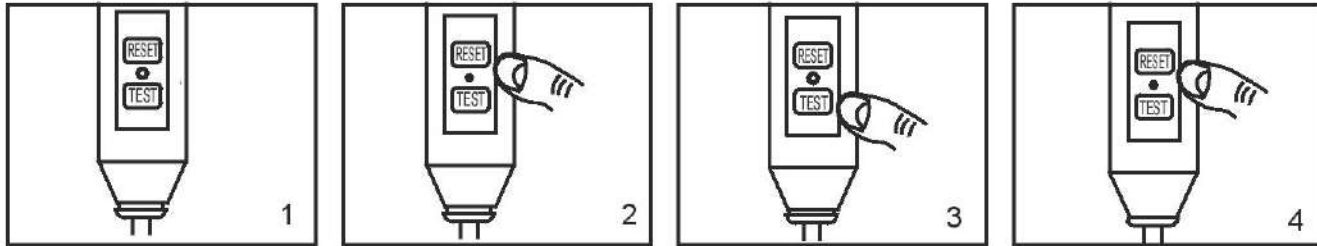
HINWEIS: Die oben genannte Heizgeschwindigkeit bezieht sich auf einen Labortest bei einer Umgebungstemperatur von 25 °C (77 °F) und höher.



Teile-Nr.	Teile-Artikelnummer	Bezeichnung	ANZ.
001	54144TASS17	Pool-Innenverkleidung	1
002	F6414ASS16	Schnalle	6
003	P5532GASS17	Kunstleder-Abdeckung	1
004	54144GASS17	Aufblasbare Abdeckung	1
005	58321(H)S15	Bodenplane	1
006	P6653	Filterset	1
007	58323	Filterpatrone (VI)	2
008	58426S17	Chemikalienschwimmer	1
009	P6575	Verschlussstopfen	1
010	P6H565	Schlauchadapter	1
011	F6H189	Schraubenschlüssel (Für das Luftventil)	1
012	P61587	Spa-Pool-Verschlussstopfen	2
013	P61199	Druckmesser	1
014	P6H971	Aufblasventil	1
015	P61385	Schraubenschlüssel (Für das Salz-Chlorinator-System)	1
016	P61290	Verschlussstopfen (Für den Wasserstrahleinlass)	1
017	P61330	Schlauchadapter für Elektropumpe	1
018	P61329	Elektropumpe	1
019	P61327	Aufblasschlauch	1
020	P61326	Handpumpe	1
021	P4H127ASS17	Spa-Pumpe	1
022	P61334	Deckel	1
023	P61386	Mutter Elektrolysezelle	1
024	P61388	O-RING Elektrolysezelle	1
025	P61387	Elektrolysezelle	1

Pumpentest

PRCD-Test



HINWEIS: Die Zeichnungen dienen lediglich Illustrationszwecken. Möglicherweise ist nicht das vorliegende Produkt dargestellt. Nicht maßstabsgetreu.

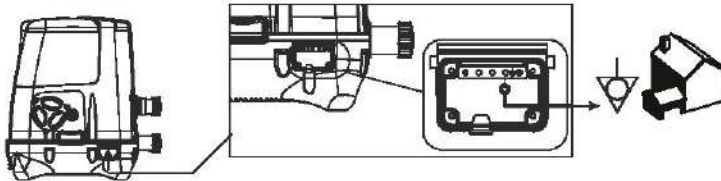
1. Setzen Sie den Stecker ein.
2. Betätigen Sie den „RESET“-Knopf; die Leuchtanzeige wird eingeschaltet.
3. Betätigen Sie den „TEST“-Knopf; die Leuchtanzeige wird ausgeschaltet.
4. Betätigen Sie den „RESET“-Knopf; die Leuchtanzeige wird eingeschaltet.
5. Betätigen Sie 2 Sekunden lang den „Ein-/Aus“-Schalter; Ihre Pumpe ist einsatzbereit.



WARNUNG: Der PRCD-Stecker muss vor jeder Verwendung überprüft werden, um die Gefahr eines elektrischen Schlages zu vermeiden.

WARNUNG: Vergewissern Sie sich, dass die Netzspannung der Steckdose für die Pumpe geeignet ist, bevor Sie den Netzstecker in die Steckdose einstecken.

WARNUNG: Wenn dieser Test fehlschlägt, verwenden Sie die Pumpe nicht und wenden Sie sich bitte an unseren Kundendienst.



POTENZIALAUSGLEICHSKLEMME DER SPA-PUMPE

Es wird empfohlen, sich für die Verbindung der SPA-Pumpe mit einem Erdungsanschluss unter Verwendung eines massiven Kupferleiters mit einem Querschnitt von (mindestens) 2,5 mm² an einen qualifizierten Elektriker zu wenden.

MONTAGE

WARNUNG: Der gewählte Ort muss über ausreichende Tragfähigkeit für die zu erwartende Last verfügen.

WARNUNG: Sowohl bei Installationen in Innenräumen als auch im Freien muss ein angemessenes Abflusssystem zur Verfügung stehen.

HINWEIS: Nur das Hydro-Jet Pro Spa besitzt die Lay-Z-Massagesystem-Taste. Beim Aufpumpen werden Sie feststellen, dass die Luft aus dem Bereich ausgestoßen wird, in dem der Luftschlauch an die Pumpe angeschlossen ist. Dies ist normal und beugt Schäden durch übermäßiges Aufblasen vor.

HINWEIS: Verwenden Sie keinen Druckluftkompressor zum Aufblasen des Pools.

HINWEIS: Ziehen Sie den Pool nicht über den Boden, da dies die Innenverkleidung des Pools beschädigen kann.

HINWEIS: Die für das Aufblasen benötigte Zeit dient lediglich als Bezugswert.

HINWEIS: Der Druckmesser dient lediglich Referenzzwecken beim Aufblasen, die angezeigten Werte sind nur als Bezugswerte zu verstehen. Er darf nicht als Präzisionsinstrument verwendet werden.




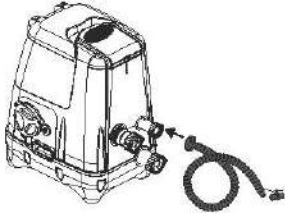
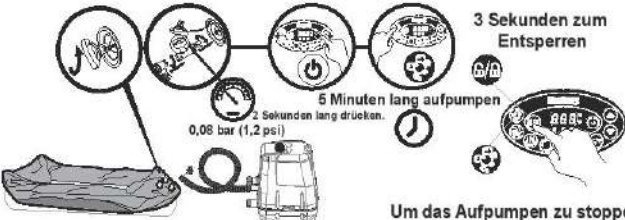

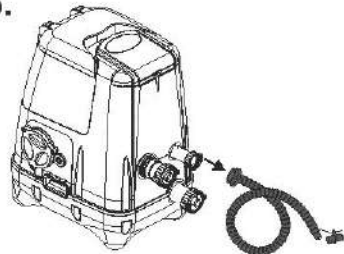
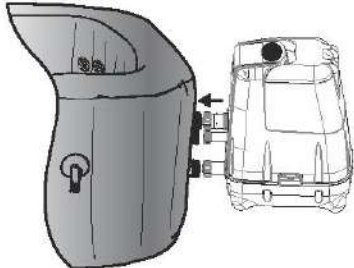
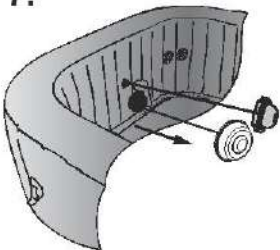
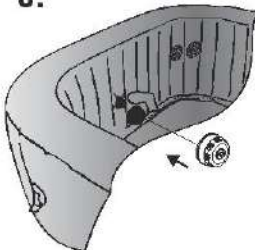
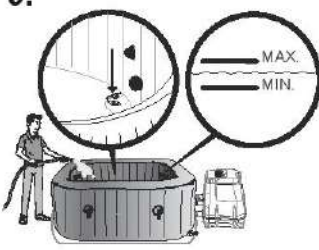

Prüfung des Luftventils

Prüfen Sie vor dem Aufblasen stets das Luftventil, um sicherzustellen, dass keine Luftleckagen vorhanden sind. Ist das Luftventil gelockert, verwenden Sie den mitgelieferten Schraubenschlüssel, um es festzuziehen. Halten Sie die Rückseite des Ventils von der Innenseite des Spas mit einer Hand fest und drehen Sie den Schraubenschlüssel im Uhrzeigersinn.


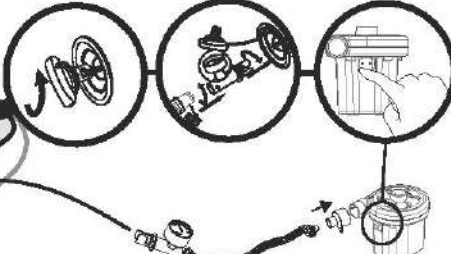
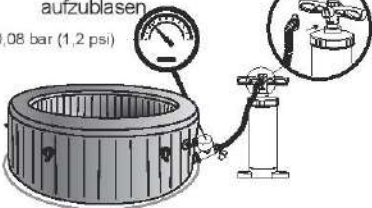
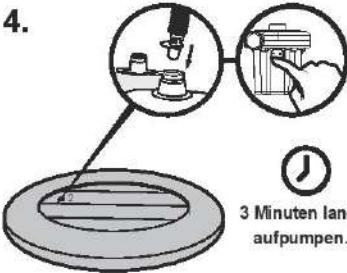
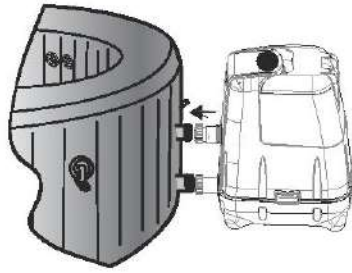
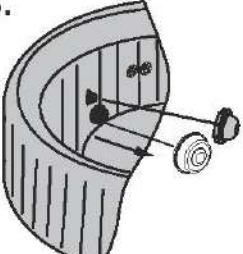
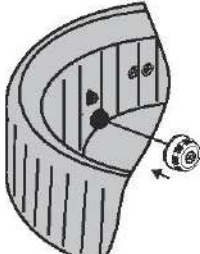
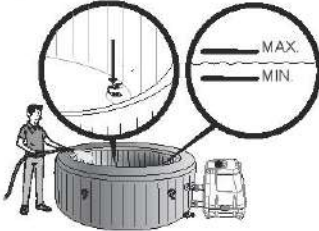

HINWEIS:

1. Nicht übermäßig festziehen.
2. Justieren Sie das Luftventil nicht, während das Spa benutzt wird.

MONTAGE HAWAII HYDROJET PRO (#54138)

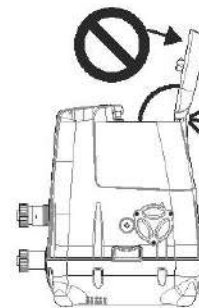
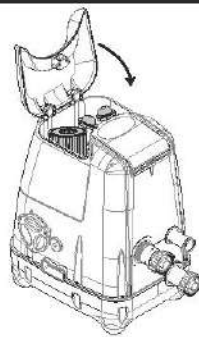
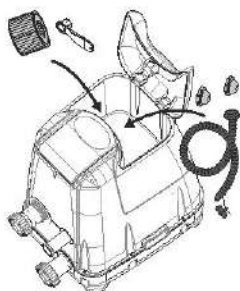
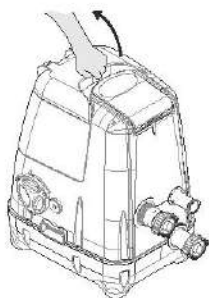
<p>1.</p> 	<p>2.</p> 	<p>3.</p>  <p>3 Sekunden zum Entsperren</p> <p>5 Minuten lang aufpumpen</p> <p>2 Sekunden lang drücken.</p> <p>0,08 bar (1,2 psi)</p> <p>Um das Aufpumpen zu stoppen.</p>	
<p>4.</p>  <p>2 Minuten lang aufpumpen.</p>	<p>5.</p> 	<p>6.</p> 	
<p>7.</p> 	<p>8.</p> 	<p>9.</p>  <p>MAX.</p> <p>MIN.</p>	<p>10.</p> 

MONTAGE PALM SPRINGS HYDROJET (#54144)

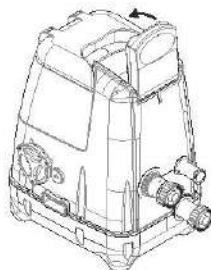
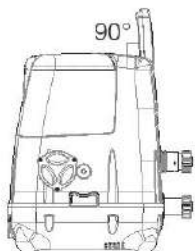
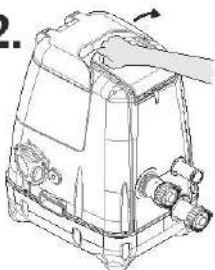
<p>1.</p> 	<p>2.</p>  <p>7 Minuten lang voraufblasen.</p> <p>Hinweis: Die Betriebszeit des Motors darf 20 Minuten nicht überschreiten.</p>		
<p>3.</p> <p>Benutzen Sie die Handluftpumpe, um den Spa-Pool weiter aufzublasen</p> <p>0,08 bar (1,2 psi)</p> 	<p>4.</p>  <p>3 Minuten lang aufpumpen.</p>	<p>5.</p> 	
<p>6.</p> 	<p>7.</p> 	<p>8.</p>  <p>MAX.</p> <p>MIN.</p>	<p>9.</p> 

BETRIEB

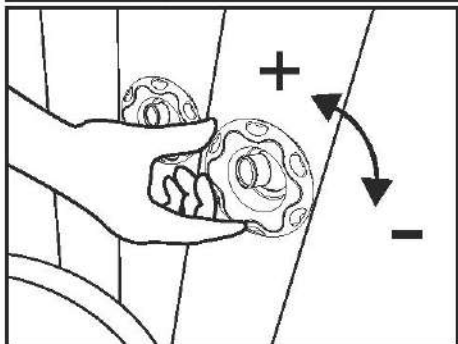
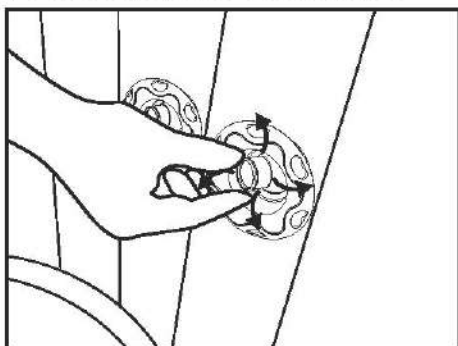
1.



2.



3. Einstellen der Strahldüse



5. Heizungs-Reset

Bei der ersten Inbetriebnahme oder nach längerer Nichtbenutzung des Lay-Z-Spa muss der Resetknopf an der Pumpe mit einem kleinen schmalen Gegenstand betätigt werden.

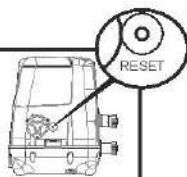
RESETKNOPF

WICHTIGE GEBRAUCHSANWEISUNGEN

Wenn sich die Temperaturanzeige am Bedienfeld (oder die Wassertemperatur) innerhalb von 4-5 Stunden nach Aktivierung des Heizsystems nicht verändert hat, verwenden Sie einen schmalen Gegenstand, um den RESETKNOPF zu drücken und starten Sie das Heizsystem neu.

WICHTIG: Das Heizsystem arbeitet nicht, wenn die Außentemperatur über 40 °C (104 °F) liegt oder das Lay-Z-Spa direktem Sonnenlicht ausgesetzt ist.

Ist dies der Fall, warten Sie bitte eine kühlere Tageszeit ab, ehe Sie mit einem schmalen Objekt den RESETKNOPF betätigen und das Heizsystem neu starten. Dieser Vorgang muss jedes Mal wiederholt werden, wenn die Pumpe den oben geschilderten Bedingungen ausgesetzt ist.



4. Anweisungen für das Salz-Chlorinator-System

HINWEIS: Um das Salz-Chlorinator-System zu verwenden, geben Sie bitte unter Beachtung der nachfolgenden Schritte Salz in das Wasser.

- (1). Schalten Sie das HydroJet-System ein, um die Wasserzirkulation zu starten.
- (2). Lassen Sie das Salz-Chlorinator-System ausgeschaltet.
- (3). Geben Sie schrittweise 4,4 lbs / 2 kg Salz in den Spa-Pool. Verwenden Sie ausschließlich Natriumchlorid (NaCl) mit einem Reinheitsgrad von mindestens 99,9% oder Salztabletten zur Wasseraufbereitung (Siedesalz in komprimierter Form - sie benötigen längere Zeit zum Auflösen). Betreiben Sie das HydroJet-System 5 Minuten lang.
- (4). Wenn sich das gesamte Salz aufgelöst hat, schalten Sie das Salz-Chlorinator-System ein und stellen Sie die Betriebszeit ein (beachten Sie bitte die Anweisungen für die Salz-Chlorinator-System-Taste).

HINWEIS: Bringen Sie während der Salzchlorung die SPA-Abdeckung an.

E11 Hinzufügen von Salz, wenn der Salzgehalt zu niedrig ist

Wurde nicht genug Salz hinzugefügt, zeigt das Bedienfeld einen „E11“-Fehlercode an.

- (1). Stecken Sie den Netzstecker des Spas aus und wieder ein. Drücken Sie anschließend "Reset".
- (2). Schalten Sie das HydroJet-System ein.
- (3). Geben Sie schrittweise 1,1 lbs / 0,5 kg Salz zu und lassen Sie es sich auflösen.
- (4). Starten Sie das Salz-Chlorinator-System.
- (5). Wird der „E11“-Fehlercode immer noch angezeigt, führen Sie die oben beschriebenen Schritte erneut durch, so lange bis der „E11“-Fehlercode nicht mehr angezeigt wird.

E10 Entfernen von Salz, wenn der Salzgehalt zu hoch ist

Wurde zu viel Salz hinzugefügt, zeigt das Bedienfeld einen „E10“-Fehlercode an.

- (1). Ziehen Sie den Netzstecker des SPAs.
- (2). Lassen Sie etwa 20% des Wassers ab und füllen Sie es wieder nach.
- (3). Starten Sie das Salz-Chlorinator-System.
- (4). Wird der „E10“-Fehlercode immer noch angezeigt, führen Sie die oben beschriebenen Schritte erneut durch, so lange bis der „E10“-Alarm nicht mehr angezeigt wird.

- A Sperr/Entsperrtaste**
Die Pumpe verfügt über eine 5-minütige automatische Sperrfunktion. Die LED-Leuchtanzeige erlischt, wenn die Pumpe gesperrt ist (keine Funktion aktiviert). Drücken Sie die Sperr-/Entsperrtaste 3 Sekunden lang, um die Pumpe zu sperren oder zu entsperren.
- B Taste für das Lay-Z-Massagesystem (Für Hydro-Jet Pro)**
Diese Taste verwenden, um das Massagesystem zu aktivieren, das über eine 30-minütige automatische Abschaltfunktion verfügt. Die Leuchtanzeige über der Lay-Z-Massagesystem-Taste leuchtet bei Aktivierung rot.
- WICHTIG:** Nehmen Sie das Lay-Z-Massagesystem nicht in Betrieb, wenn die Abdeckung angebracht ist. Im Inneren des Spas kann sich Luft sammeln und die Abdeckung irreparabel beschädigen sowie Verletzungen verursachen.
- HINWEIS:** Das Heiz- und das Massagesystem arbeiten zusammen, um einen warmen Massage-Effekt zu erzielen.

- C Taste für das HydroJet-System**
Diese Taste schaltet die Wasserpumpe ein und aus. Die Leuchtanzeige über der HydroJet-System-Taste leuchtet bei Aktivierung rot.
- Hinweis:** Das System schaltet sich nach 1 Stunde automatisch ab.
Hinweis: Betreiben Sie das HydroJet-System nicht ohne Wasser.

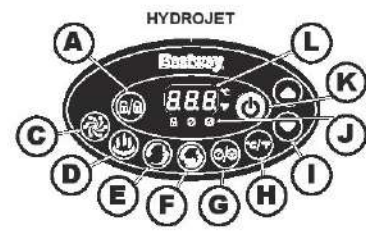
- D Heiztaste**
Mit dieser Taste wird das Heizsystem aktiviert. Erscheint die Leuchte über der Heiztaste rot, ist das Heizsystem aktiviert. Erscheint die Leuchte grün, hat das Wasser die eingestellte Temperatur erreicht und das Heizsystem pausiert.
- HINWEIS:** Ist das Heizsystem aktiviert, startet das Filtersystem automatisch.
HINWEIS: Nach dem Abschalten des Heizsystems bleibt das Filtersystem weiterhin in Betrieb.

- E Wasserfilter-Taste**
Diese Taste schaltet die Filterpumpe ein und aus. Die Leuchte über der Wasserfilter-Taste leuchtet bei Aktivierung rot.
- HINWEIS:** Die integrierte Wassereinrichtungsfunktion funktioniert automatisch.

- F Taste für das Salz-Chlorinator-System**
Verwenden Sie diese Taste, um das Salz-Chlorinator-System einzuschalten, und stellen Sie die Betriebszeit ein. Sie können die Betriebszeit auf 3 Stunden, 5 Stunden oder 8 Stunden einstellen, indem Sie die Salz-Chlorinator-System-Taste betätigen. Nach dem Einstellen der Betriebszeit startet das Salz-Chlorinator-System seinen Betrieb automatisch.
- HINWEIS:** Betätigen Sie keine Tasten auf dem Bedienfeld und bringen Sie während der laufenden Chlorierung die SPA-Abdeckung an. Sie können die Betriebszeit erneut einstellen, indem Sie die Salz-Chlorinator-System-Taste betätigen.
HINWEIS: Überprüfen Sie das Wasser regelmäßig und vergewissern Sie sich, dass der Gehalt an freiem Chlor zwischen 2 und 4 ppm liegt.

- G ANWEISUNGEN FÜR die Stromspar-Timer-Taste**
Dies ist eine neu hinzugefügte Funktion, die zur Vermeidung von unnötigen Energieverbrauchs entwickelt wurde, denn mit ihr werden die Zeit und die Dauer des Aufheizklus für das SPA eingestellt. Auf diese Weise können Sie Ihr SPA zur gewünschten Zeit genießen, ohne die Heizung unnötig lange betreiben zu müssen.
- SCHRITT 1:** Stellen Sie die Heizrückzeit ein.
1. Bei Betätigung der Taste beginnt die LED zu blinken.
2. Drücken Sie die Taste oder um die Heizrückzeit zu verändern (zwischen 1 - 48 Stunden).
3. Drücken Sie die Taste erneut, um die Heizrückzeit zu bestätigen.
- SCHRITT 2:** Stellen Sie die Anzahl der Stunden AB JETZT ein, nach denen die Heizung aktiviert werden soll.
1. Nach dem Einstellen der Heizrückzeit beginnt die LED zu blinken.
2. Drücken Sie die Taste oder Taste, um die Anzahl der Stunden bis zur Aktivierung einzustellen (0-99 Stunden).
3. Betätigen Sie die -Taste erneut/10 betätigen Sie 10 Sekunden lang keinerlei Tasten, um die Einstellung zu bestätigen. Die LED leuchtet dauerhaft und der Countdown bis zur Aktivierung der Heizung wird gestartet.

- Um die Timer-Einstellungen zu ändern:** Drücken Sie die Taste und verändern Sie die Einstellzeit mithilfe der Taste oder .
- Um die Einstellung zu löschen:** Drücken Sie die Taste 2 Sekunden lang.



HINWEIS: Nach dem Einstellen zeigt das Display abwechselnd die aktuelle Temperatur und Zeit an.
HINWEIS: Der Timer (Zeitspanne mit EINGESCHALTETER Heizung) kann auf 1 bis 48 Stunden eingestellt werden; die Reservierzeit (die Anzahl der Stunden ab jetzt, nach denen die Heizung zu funktionieren beginnt) kann auf 0 bis 99 Stunden eingestellt werden. Ist der Timer auf 0 Stunden eingestellt, bedeutet dies, dass die Timer-Funktionen nicht eingestellt sind. Beachten Sie, dass der Timer jeweils für eine Verwendung eingestellt wird - der Benutzer stellt die Dauer des Heizzyklus ein und die Anzahl der Stunden ab jetzt, nach denen der Heizzyklus beginnt. Bis zum Reset wiederholt der Timer die Ausführung NICHT.

- H Celsius-/Fahrenheit-Umschalter**
Die Temperatur kann entweder in Grad Celsius oder Grad Fahrenheit angezeigt werden.

- I Tasten zur Temperatureinstellung**
Beim Betätigen der Tasten zum Erhöhen oder Senken der Temperatur blinkt die LED. Wenn sie blinkt, können Sie die gewünschte Temperatureinstellung vornehmen. Wenn Sie diese Tasten gedrückt halten, nehmen die Werte schnell zu oder ab. Die neue gewünschte Temperatureinstellung wird 3 Sekunden lang auf dem LED-Display eingeblendet, um den neuen Wert zu bestätigen.
- HINWEIS:** Die Standardtemperatur beträgt 35°C (95°F).
HINWEIS: Die Temperatur kann zwischen 20°C (68°F) und 40°C (104°F) eingestellt werden.

- J Stromspar-Timer-LED**
Wenn diese LED blinkt, signalisiert dies, dass Sie die Heizrückzeit einstellen. Die Leuchtanzeige wird eingeschaltet, wenn der Betrieb der Heizfunktion beginnt.
Wenn diese LED blinkt, bedeutet dies, dass Sie die Anzahl der Stunden AB JETZT einstellen, wann die Heizung aktiviert werden soll. Ist die Leuchte eingeschaltet, wurde die Stromspar-Timer-Funktion eingestellt.

- K Ein-/Aus-Schalter**
Drücken Sie diese Taste 2 Sekunden lang, um die Tasten des Bedienfelds zu aktivieren. Die Leuchtanzeige leuchtet grün.
Drücken Sie diese Taste 2 Sekunden lang, um alle gegenwärtig aktivierten Funktionen auszuschalten.

- L LED-Display**
Nach dem Einschalten zeigt die LED automatisch die aktuelle Wassertemperatur an.
Nach einer Filterdauer von 72 Stunden (ohne Nutzung des Energiespar-Timers) pausiert die Pumpe und die Meldung "Ende" wird gemeinsam mit der aktuellen Wassertemperatur blinkend angezeigt.
Beim Pausieren der Pumpe werden sowohl die Heiz- als auch die Wasserfilterfunktionen deaktiviert. Um die Pumpe wieder zu aktivieren, drücken Sie den Sperr-/Entsperrknopf 3 Sekunden lang.
- HINWEIS:** Die Wasser-Heizgeschwindigkeit kann sich abhängig von den unten aufgeführten Bedingungen ändern. Bei Außentemperaturen unter 15°C (59°F).
Wenn die Abdeckung bei eingeschalteter Heizfunktion nicht angebracht ist.
HINWEIS: Zur Anzeige der aktuellen Wassertemperatur muss das Filtersystem mindestens eine Minute in Betrieb sein. Bedingt durch die unterschiedlichen Positionen der Messgeräte, kann die Wassertemperatur bei Prüfung mit einem externen Thermometer von der auf der Spa-Anzeige eingeblendeten Temperatur abweichen.

Alarmer

Auswirkungen	Ursachen	Lösungen
E01 Die Wasserdurchflusssensoren arbeiten, ohne Betätigung der Filter- oder Heiztaste gedrückt wurde.	1. Die Messanzeigen der Wasserdurchflussmesser sind nicht in die korrekte Position zurückgekehrt. 2. Die Wasserdurchflussmesser sind beschädigt.	1. Stecken Sie den Netzstecker aus, schlagen Sie vorsichtig, jedoch nicht gewaltsam, gegen die Seite der Pumpe und stecken Sie den Netzstecker wieder ein. 2. Wenden Sie sich bezüglich der weiteren Vorgehensweise an Ihr lokales Bestway-Kundendienstzentrum.
E02 Die Wasserdurchflussmesser erkennen nach dem Starten oder während des Filter- und/oder Heizbetriebs keinen Wasserfluss.	1. Sie haben vergessen, die 2 Verschlusskappen von der Innenseite des Pools zu entfernen. 2. Die Filterpatrone sind verschmutzt. 3. Aktivieren Sie das Filter- oder Heizsystem und halten Sie Ihre Hand vor das Auslassrohr an der Innenseite des Pools, um den Wasserfluss zu prüfen. a. Fließt kein Wasser heraus, so ist die Wasserpumpe beschädigt. b. Fließt Wasser heraus, doch die Alarmanzeige wird angezeigt, sind die Wasserdurchflussmesser beschädigt.	1. Entfernen Sie die zwei Verschlusskappen, bevor Sie das Heizsystem starten. Beachten Sie den Abschnitt mit den Montageanweisungen in diesem Handbuch. 2. Nehmen Sie die Filtereinheit aus dem Pool und drücken Sie den Filter- oder Heizknopf. Wird kein Alarm angezeigt, reinigen oder wechseln Sie die Filterpatrone und setzen Sie die Filtereinheit wieder in den Pool ein. 3. Wenden Sie sich bezüglich der weiteren Vorgehensweise an Ihr lokales Bestway-Kundendienstzentrum.
E03 Das Thermometer der Pumpe misst eine Wassertemperatur unterhalb 4°C (40°F).	1. Die Wassertemperatur beträgt weniger als 4°C (40°F). 2. Beträgt die Wassertemperatur mehr als 7°C (44,6°F), ist das Pumpenthermometer defekt.	1. Das Spa ist nicht für den Betrieb mit Wassertemperaturen unterhalb 4°C (40°F) konstruiert. Stecken Sie die Pumpe aus und starten Sie die Pumpe erst wieder, nachdem die Wassertemperatur 8°C (43°F) erreicht hat. 2. Wenden Sie sich bezüglich der weiteren Vorgehensweise an Ihr lokales Bestway-Kundendienstzentrum.
E04 Das Pumpenthermometer misst eine Wassertemperatur oberhalb 50°C (122°F).	1. Die Wassertemperatur beträgt mehr als 50°C (122°F). 2. Beträgt die Wassertemperatur weniger als 45°C (113°F), ist das Pumpenthermometer defekt.	1. Das Spa ist nicht für den Betrieb mit Wassertemperaturen oberhalb 40°C (104°F) konstruiert. Stecken Sie die Pumpe aus und starten Sie die Pumpe erst wieder, nachdem die Wassertemperatur auf 38°C (100°F) oder weniger gesunken ist. WICHTIG: Drücken Sie den Resetknopf an der Pumpe, bevor Sie diese neu starten. 2. Wenden Sie sich bezüglich der weiteren Vorgehensweise an Ihr lokales Bestway-Kundendienstzentrum.
E05 Die Anschlüsse des Pumpenthermometers sind fehlerhaft.	1. Die Anschlüsse des Pumpenthermometers arbeiten nicht korrekt. 2. Das Thermometer der Pumpe ist beschädigt.	Wenden Sie sich bezüglich der weiteren Vorgehensweise an Ihr lokales Bestway-Kundendienstzentrum.
E06 Problem mit der manuellen Rücksetzung des Thermoschutzes.	Die manuelle Rücksetzung des Thermoschutzes wurde ausgelöst.	1. Ziehen Sie den Netzstecker der Pumpe und drücken Sie den Resetknopf der Pumpe. Stecken Sie den Netzstecker der Pumpe anschließend wieder ein. 2. Sollte die Fehlermeldung weiterhin angezeigt werden, lesen Sie die Anweisungen für den RESETKNOPF im Handbuch. 3. Wenden Sie sich bezüglich der weiteren Vorgehensweise an Ihr lokales Bestway-Kundendienstzentrum.
E09 104°C (219°F) Sicherungsfehler.	Die Sicherung ist getrennt.	Wenden Sie sich bezüglich der weiteren Vorgehensweise an Ihr lokales Bestway-Kundendienstzentrum.
E10 Alarmanzeige für zu hohen Salzgehalt.	Es wurde zu viel Salz hinzugefügt oder zu viel Wasser ist verdunstet.	1. Beachten Sie die Anweisungen im Betriebsabschnitt, um das Salz zu entfernen. 2. Wenden Sie sich bezüglich der weiteren Vorgehensweise an Ihr lokales Bestway-Kundendienstzentrum.
E11 Alarmanzeige für zu niedrigen Salzgehalt.	Nicht genügend Salz zum Entkeimen.	1. Beachten Sie die Anweisungen im Betriebsabschnitt, um Salz hinzuzufügen. 2. Wenden Sie sich bezüglich der weiteren Vorgehensweise an Ihr lokales Bestway-Kundendienstzentrum.
E12 Wasserleckage im Inneren der Pumpe.	Das System hat Wasserlecksagen im Inneren der Pumpe festgestellt.	Wenden Sie sich bezüglich der weiteren Vorgehensweise an Ihr lokales Bestway-Kundendienstzentrum.
E13 Signalleitung getrennt.	Die Signalleitung zwischen Bedienfeld und Netztafelplatte ist nicht korrekt angeschlossen.	Wenden Sie sich bezüglich der weiteren Vorgehensweise an Ihr lokales Bestway-Kundendienstzentrum.

WARTUNG

HINWEIS: Ihr Spa muss gelegentlich erneut aufgeblasen werden. Tageszeitbedingte Temperaturschwankungen führen zu einer Veränderung des Drucks und ein bestimmter Teil der Luft kann entweichen. Bitte befolgen Sie die Montageanweisungen und lassen Sie das Wasser aus dem Spa ab, bevor Sie den erforderlichen Luftdruck wieder herstellen.

VORSICHT: SIE MÜSSEN SICHERSTELLEN, DASS DIE PUMPE VON DER ENERGIEVERSORGUNG GETRENNT IST, BEVOR SIE MIT WARTUNGSARBEITEN AM SPA BEGINNEN.

Wartung der Filterpatrone

HINWEIS: Kontrollieren und reinigen Sie Ihre Filterkartuschen jeden Tag gemäß der unten beschriebenen Schritte, um sicherzugehen, dass das Wasser in Ihrem Spa sauber bleibt.

HINWEIS: Wir empfehlen einen wöchentlichen Wechsel der Filterkartuschen. Bleibt die Filterkartusche jedoch verschmutzt und verfärbt, muss sie ausgetauscht werden.

Wartung des Wassers

Es ist notwendig, das Wasser in Ihrem SPA sauber und chemisch im Gleichgewicht zu halten. Lediglich die Filterkartusche zu reinigen, ist hierfür nicht ausreichend. Bitte beachten Sie ebenfalls die nachstehenden Empfehlungen:



1. Verwenden Sie das integrierte Salz-Chlorinator-System regelmäßig. Das Salzwasser strömt durch die Elektrolysezelle des Chlorinators, um Chlor zu erzeugen, das sofort im Wasser gelöst wird. Das Chlor beginnt umgehend, Bakterien und Algen zu zerstören und oxidiert sonstige organischen Materialien.

Bei der ersten Benutzung empfehlen wir einen 8-stündigen Betrieb mit Frischwasser und die Verwendung eines Teststreifens, um einen Gehalt an freiem Chlor zwischen 2 - 4 ppm sicherzustellen. Erhöhen Sie die Betriebsdauer bei hoher Wassertemperatur oder wenn das Spa nicht abgedeckt wird. Benutzen Sie das Chlorinator-System jeweils nach 24 Stunden, wenn das SPA benutzt wird. Die Betriebsdauer ist abhängig von den Testergebnissen und der Verwendungshäufigkeit des SPAs.

HINWEIS: Testen Sie die Konzentration an freiem Chlor zweimal täglich, wenn Sie das Chlorinator-System erstmalig verwenden. Wenn sich die Konzentration an freiem Chlor stabilisiert hat, führen Sie wöchentliche Tests durch, um sicherzustellen, dass der Anteil an freiem Chlor 2 - 4 ppm beträgt.

HINWEIS: Benutzen Sie das Spa nicht, wenn die Konzentration an freiem Chlor mehr als 4 ppm beträgt.

2. Verwenden Sie Poolchemikalien zur Pflege der Wasserchemie sowie Chlor- oder Bromtablets (verwenden Sie kein Granulat) für den Chemikalienschwimmer.

Verwendung von Chemikalienschwimmern (nicht enthalten)

(Referenz: Trichlorisocyanursäure 3-6 g)

Verwendung von Flüssigchemikalien (nicht enthalten)

(Beachten Sie die Anweisungen für die erworbenen Flüssigchemikalien)



Das Wasser muss in 3-tägigen Intervallen gewechselt werden. Bei Verwendung geeigneter Chemikalien sind größere Intervalle möglich. Die Wasserqualität wird durch die Häufigkeit der Benutzung, die Anzahl der Personen und die allgemeine Wartung beeinflusst.

HINWEIS: Wir empfehlen, vor der Benutzung Ihres Lay-Z-Spas zu duschen. Kosmetikprodukte, Lotionen und andere Rückstände auf der Haut können die Wasserqualität rasch mindern.

HINWEIS: Entfernen Sie den Chemikalienschwimmer aus dem Spa, wenn dieses benutzt wird.

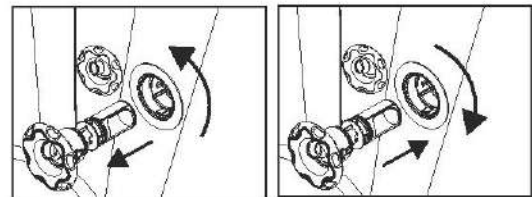
WICHTIG: Nach der chemischen Wartung und vor der Benutzung des Spas ein Testkit verwenden (nicht enthalten), um die Wasserchemie zu testen. Wir empfehlen die Wasserwartung gemäß der nachstehenden Tabelle.

pH	Gesamtalkalität	Freies Chlor
7,4-7,6	80-120 ppm	2-4 ppm

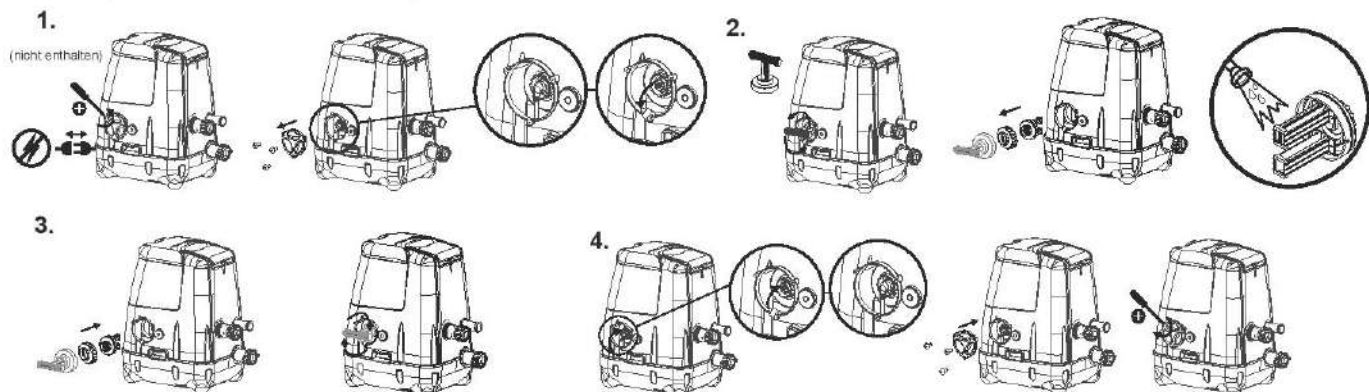
HINWEIS: Schäden, die aus einem chemischen Ungleichgewicht resultieren, sind nicht durch die Garantie abgedeckt. Poolchemikalien sind potentiell giftig und müssen vorsichtig gehandhabt werden. Es bestehen ernste Gesundheitsgefahren durch chemische Dämpfe und die inkorrekte Etikettierung und Aufbewahrung von Chemikalienbehältern. Bitte wenden Sie sich an Ihren lokalen Poolchemikalienhändler, um weitere Informationen zur chemischen Wasserpflege zu erhalten. Halten Sie sich streng an die Anweisungen des Chemikalienherstellers. Schäden am Spa durch Chemikalienmissbrauch und unzureichende Pflege des Wassers werden nicht von der Garantie gedeckt.

Wartung der Strahldüsen

1. Drehen Sie die Strahldüse, bis ein klickendes Geräusch zu hören ist und ziehen Sie die Düse anschließend hinaus, um sie zu reinigen.
2. Setzen Sie die Düse nach der Reinigung wieder ein und drehen Sie sie im Uhrzeigersinn fest.



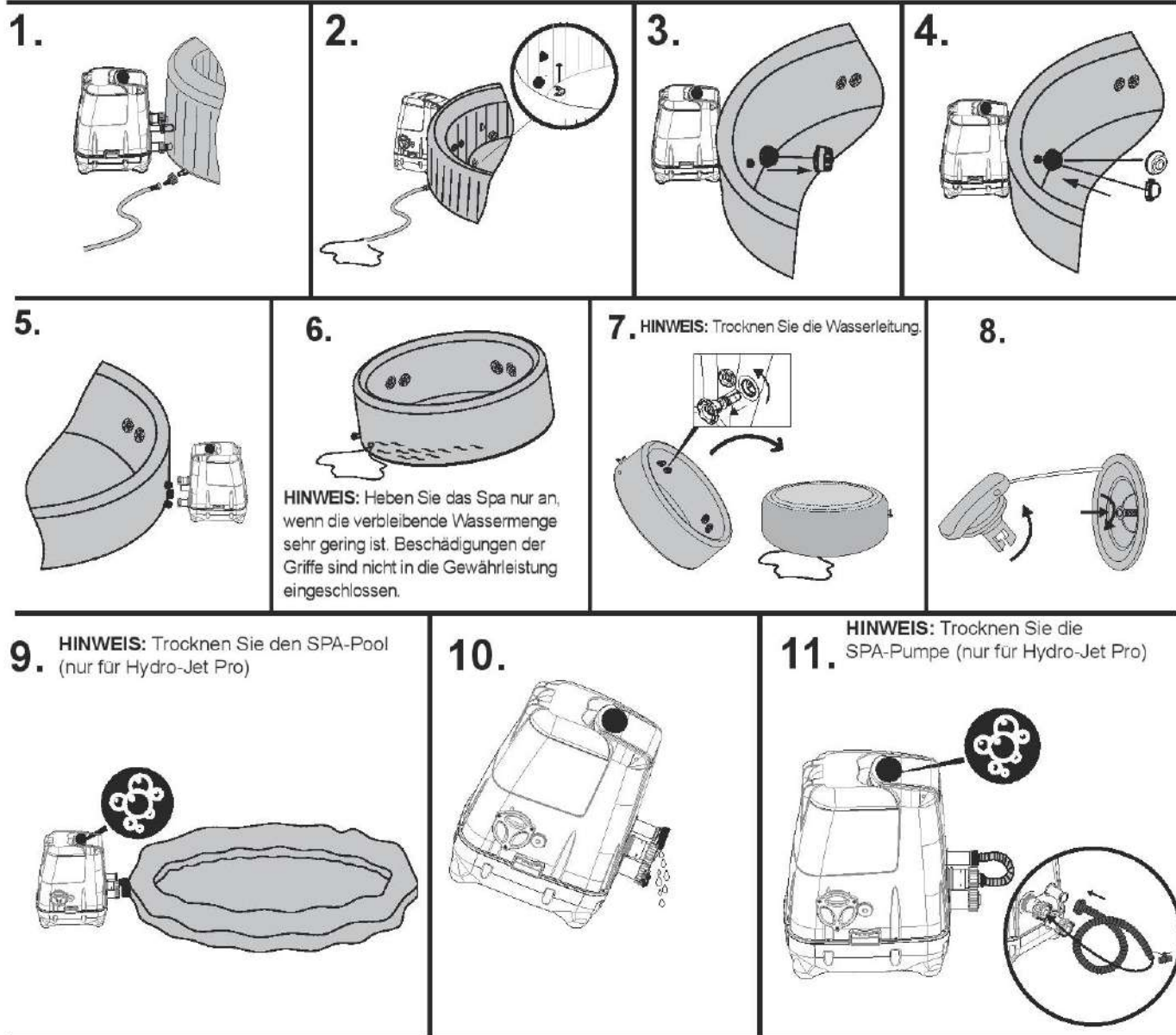
Wartung des Salz-Chlorinator-Systems



HINWEIS: Bleiben nach dem Waschen Ablagerungen auf den Titanplatten zurück, legen Sie die Elektrolysezelle in einen Behälter. Gießen Sie üblichen Haushaltessig in den Behälter um die Titanplatten etwa vier Stunden lang einzuweichen und waschen Sie sie anschließend erneut. Wiederholen Sie den Vorgang, falls erforderlich.

Entleeren des Spas

HINWEIS: Die Zeichnungen dienen lediglich Illustrationszwecken. Möglicherweise ist nicht das vorliegende Produkt dargestellt. Nicht maßstabsgetreu.



Reinigen des Spas

Waschmittelrückstände und gelöste Feststoffe aus Badeanzügen und Chemikalien können sich auf den Spa-Wänden ablagern. Verwenden Sie zum Reinigen der Wände Wasser und Seife und spülen Sie gründlich nach.

HINWEIS: Verwenden Sie KEINE harten Bürsten oder Scheuermittel.

Reparatur des Spas

Für die aufblasbare Abdeckung

Weist das Spa Risse oder Löcher auf, verwenden Sie den im Lieferumfang enthaltenen strapazierfähigen Reparaturflicken.

1. Reinigen Sie den zu reparierenden Bereich.
2. Ziehen Sie den Flicker vorsichtig ab.
3. Drücken Sie den Flicker auf den zu reparierenden Bereich.
4. Warten Sie 30 Minuten bis zum Aufblasen.

Für die Innenverkleidung des Spas

Sollte das Spa gerissen oder durchstochen sein, verwenden Sie den mitgelieferten Reparaturflicken sowie den Klebstoff (nicht enthalten) und gehen Sie wie folgt vor:

1. Reinigen und trocknen Sie den zu reparierenden Bereich.
2. Schneiden Sie den mitgelieferten PVC-Flicker auf die richtige Größe zu.
3. Bestreichen Sie eine Seite des zugeschnittenen Flickers mit Klebstoff (nicht enthalten). Vergewissern Sie sich, dass der Klebstoff gleichmäßig verteilt ist.
4. Warten Sie 30 Sekunden und platzieren Sie anschließend den zugeschnittenen Flicker mit dem Klebstoff auf den beschädigten Bereich.
5. Streichen Sie alle möglicherweise eingeschlossenen Luftblasen aus und drücken Sie den Flicker zwei Minuten lang fest an.
6. Warten Sie 30 Minuten bis zum Aufblasen.
7. Das Produkt kann jetzt wieder verwendet werden. Wiederholen Sie dieses Vorgehen, falls weitere Lecks erkennbar werden.

Lagerung des Lay-Z-Spas



Vergewissern Sie sich, dass das Spa und die Pumpe vollständig trocken sind. Dies verlängert die Lebensdauer des Spas. Wir empfehlen den Einsatz der Pumpe, um das Spa, die Pumpe und Leitungen trockenzublasen. Entfernen Sie die Filtereinheiten und entsorgen Sie die gebrauchten Filterpatronen. Bringen Sie die zwei Verschlussstopfen wieder auf den Ein- und Auslassventilen des Spas an. Es wird empfohlen das Spa in seiner Originalverpackung an einem warmen und trockenen Ort zu lagern.

HINWEIS: Kunststoff wird bei Temperaturen unterhalb des Gefrierpunkts spröde und anfällig für Brüche. Frost kann das Spa stark beschädigen. Die unsachgemäße Einlagerung Ihres Spas im Winter kann zum Erlöschen der Garantie führen.



Entsorgung Bedeutung der durchgestrichenen Abfalltonne auf Radern: Entsorgen Sie elektrische und elektronische Geräte nicht über den unsortierten Hausmüll. Verwenden Sie separate Entsorgungseinrichtungen. Wenden Sie sich für Informationen zu den verfügbaren Sammelsystemen an Ihre lokalen Regierungsbehörden. Werden elektrische und elektronische Geräte in Deponien oder Müllhalden entsorgt, können Schadstoffe in das Grundwasser und somit in die Nahrungskette gelangen, wodurch Ihre Gesundheit und Ihr Wohlbefinden beeinträchtigt werden. Beim Ersatz von elektrischen und elektronischen Altgeräten durch neue ist der Einzelhändler gesetzlich zur kostenlosen Rücknahme und Entsorgung des Altgerätes verpflichtet.

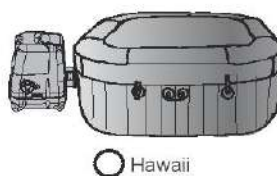
FEHLERSUCHE Bestway ist bemüht, Ihnen die störungsfreisten Spas des Marktes anzubieten. Sollten Sie jegliche Probleme haben, zögern Sie nicht, sich an Bestway oder Ihren autorisierten Händler zu wenden. Hier einige hilfreiche Tipps, um Ihnen bei der Diagnose und der Behebung der häufigsten Störungsursachen zu helfen.

Probleme	Wahrscheinliche Ursachen	Lösungen
Pumpe arbeitet nicht	<ul style="list-style-type: none"> - Stromausfall - Stromkreise beschädigt 	<ul style="list-style-type: none"> - Stromquelle überprüfen - Wenden Sie sich bezüglich der weiteren Vorgehensweise an Ihr lokales Bestway-Kundendienstzentrum.
Die Pumpe heizt nicht korrekt	<ul style="list-style-type: none"> - Zu niedrig eingestellte Temperatur - Verschmutzte Filterkartusche - Der Thermoschutz hat eine Abschaltung ausgelöst - Fehlfunktion des Heizelements 	<ul style="list-style-type: none"> - Stellen Sie das Heizsystem auf eine höhere Temperatur ein (beachten Sie den Abschnitt zum Betrieb der Pumpe) - Reinigen/ersetzen Sie die Filterkartusche (beachten Sie die Angaben im Abschnitt zur Reinigung und zum Austausch der Filterkartusche) - Drücken Sie den Resetknopf an der Pumpe (beachten Sie die Anweisungen im Abschnitt zum Betrieb der Pumpe) - Wenden Sie sich bezüglich der weiteren Vorgehensweise an Ihr lokales Bestway-Kundendienstzentrum.
Das Lay-Z-Massagesystem arbeitet nicht	<ul style="list-style-type: none"> - Die Luftpumpe ist überhitzt - Die Lay-Z-Spa-Massagesystem stoppt automatisch - Die Luftpumpe ist beschädigt 	<ul style="list-style-type: none"> - Stecken Sie die Pumpe aus und warten Sie zwei Stunden, bis die Pumpe abgekühlt ist. Stecken Sie den Netzstecker ein und drücken Sie den Knopf für das Lay-Z-Massagesystem - Drücken Sie die Taste des Lay-Z-Massagesystems für einen Neustart - Wenden Sie sich bezüglich der weiteren Vorgehensweise an Ihr lokales Bestway-Kundendienstzentrum
Die Pumpenadapter befinden sich nicht auf der gleichen Höhe wie die Spa-Adapter	<ul style="list-style-type: none"> - Es ist charakteristisch für PVC, dass es seine Form verändert, dies ist normal. 	<ul style="list-style-type: none"> - Heben Sie die Pumpe mit einem Stück Holz oder anderem isolierten Material an, so dass sich die Adapter des Spas und der Pumpe auf einer Höhe befinden.
Leckage des Spa-Pools	<ul style="list-style-type: none"> - Das Spa ist gerissen oder punktiert - Das Luftventil ist gelöst 	<ul style="list-style-type: none"> - Verwenden Sie den mitgelieferten Reparaturflicken - Unter Verwendung von Seifenwasser das Luftventil bedecken, um zu kontrollieren, ob Luft entweicht. Ist dies der Fall, den im Lieferumfang enthaltenen Schlüssel verwenden, um das Luftventil wie folgt anzuziehen: <ol style="list-style-type: none"> 1. Lassen Sie die Luft aus dem SPA ab. 2. Halten Sie die Rückseite des Ventils von der Innenseite des Spas mit einer Hand fest und drehen Sie den Schraubenschlüssel im Uhrzeigersinn.
Das Wasser ist nicht sauber	<ul style="list-style-type: none"> - Unzureichende Filterzeit - Verschmutzte Filterkartusche - Unzureichende Wasserpflege - Das Desinfektionssystem arbeitet nicht - Auf der Titanplatte befinden sich Ablagerungen - Unzureichende Desinfektionszeit 	<ul style="list-style-type: none"> - Erhöhen Sie die Filterungsdauer - Reinigen/ersetzen Sie die Filterkartusche (beachten Sie die Anweisungen im Abschnitt zur Reinigung und zum Austausch der Filterkartusche) - Beachten Sie die Anweisungen des Chemikalienherstellers - Überprüfen Sie die Stromversorgung oder wenden Sie sich an Ihren lokalen Bestway Kundendienst, um die weitere Vorgehensweise zu besprechen. - Reinigen Sie die Titanplatte (siehe Abschnitt zur Wartung des Salz-Chlorinator-Systems)
Test der Differenzstrom-Schutzvorrichtung fehlgeschlagen	Ihr Spa ist defekt	Kontaktieren Sie Ihren lokalen Bestway-Kundendienstzentrum und geben Sie das SPA zurück
Das HydroJet-System funktioniert nicht.	<ul style="list-style-type: none"> - Die Wasserpumpe ist überhitzt - Die Wasserpumpe ist defekt. 	<ul style="list-style-type: none"> - Stecken Sie die Pumpe aus und warten Sie zwei Stunden, bis die Pumpe abgekühlt ist. Stecken Sie die Pumpe wieder ein und versuchen Sie es erneut. - Wenden Sie sich bezüglich der weiteren Vorgehensweise an Ihr lokales Bestway-Kundendienstzentrum.
Das Bedienfeld funktioniert nicht	<ul style="list-style-type: none"> - Das Bedienfeld wird nach 5 Minuten Inaktivität automatisch gesperrt. Das LED-Display verfügt über ein Symbol:  Wenn das Sperrsymbol leuchtet, ist das Bedienfeld gesperrt - Das Bedienfeld wird nicht aktiviert 	<ul style="list-style-type: none"> - Um das Bedienfeld zu entsperren, drücken Sie die Taste  3 Sekunden lang - Wenn das Bedienfeld nicht entsperrt wird, starten Sie die Pumpe neu – Stecken Sie den Netzstecker der Pumpe aus und wieder ein. - Drücken Sie Ein-/Ausschalttaste 2 Sekunden lang. - Wenn das Problem weiterhin besteht, kontaktieren Sie bitte Ihr lokales Bestway Kundendienstzentrum bezüglich der weiteren Vorgehensweise.
Welche Chemikalien müssen für die Wasserpflege verwendet werden?	Bitte wenden Sie sich an Ihren lokalen Chemikalienhändler, um Informationen zur Wasserpflege zu erhalten. Halten Sie sich streng an die Anweisungen des Chemikalienherstellers.	
Aus den Adaptern zwischen Pumpe und Spa tritt Wasser aus	Bringen Sie die drei Verschlusskappen an den Anschlüssen des Spas an, um ein Auslaufen des Wassers zu vermeiden, und trennen Sie die Pumpe. Prüfen Sie die Dichtungen und vergewissern Sie sich, dass diese korrekt in den Pumpenadaptern sitzen. Wenn Dichtungen fehlen oder nicht korrekt eingesetzt sind, kontaktieren Sie bitte Ihr lokales Bestway Kundendienst bezüglich der weiteren Vorgehensweise. Sind die Dichtungen korrekt eingesetzt, verbinden Sie die Pumpe wieder mit dem Spa und schrauben Sie die Adapter handfest an.	

Eingeschränkte BESTWAY®-Herstellergewährleistung

Das von Ihnen erworbene Produkt unterliegt einer eingeschränkten Gewährleistung. Bestway® garantiert, dass Ihr Produkt frei von herstellungsbedingten Defekten ist mit einer Qualitätsgarantie. Bei Mängeln gewährleistet Bestway® einen Austausch des Produktes. Um Gewährleistungsansprüche geltend zu machen, muss beiliegendes Formular ausgefüllt und mit einer Kopie Ihres Empfangs-/Kaufbelegs versehen an Ihren lokalen Bestway Kundendienst (Bestway Aftersales Center) gesendet werden. Bitte wenden Sie sich vor dem Absenden von Dokumenten an den lokalen Bestway Kundendienst. Dieser informiert Sie darüber, was für Ihren Gewährleistungsanspruch benötigt wird. Bestway® ersetzt keinerlei Produkte, die als nachlässig behandelt oder außerhalb der Richtlinien des Benutzerhandbuchs verwendet angesehen werden. Die Gewährleistung von Bestway deckt Herstellungsmängel ab, die beim Auspacken oder während der im Benutzerhandbuch empfohlenen Verwendung des Produkts entdeckt werden. Diese Gewährleistung erstreckt sich ausschließlich auf Produkte, welche nicht durch jedwede Drittparteien modifiziert wurden. Die Lagerung und die Handhabung des Produkts müssen entsprechend der technischen Empfehlungen erfolgen. Diese Gewährleistung deckt keine Schäden ab, die durch unsachgemäßen Gebrauch, Missbrauch oder Fahrlässigkeit verursacht wurden, inklusive, jedoch nicht beschränkt auf: Kollisionen, Feuer, inkorrekte Spannung, starke Hitzeeinwirkung, unsachgemäße Installation, unsachgemäße Verkabelung oder Prüfung, unsachgemäße Lagerung. Austausch und Reparaturen verlängern nicht die Dauer der Gewährleistung. Als Beginn des Gewährleistungszeitraums gilt das Datum des ursprünglichen Empfangs-/Kaufbelegs.

Bitte wählen Sie Ihr SPA



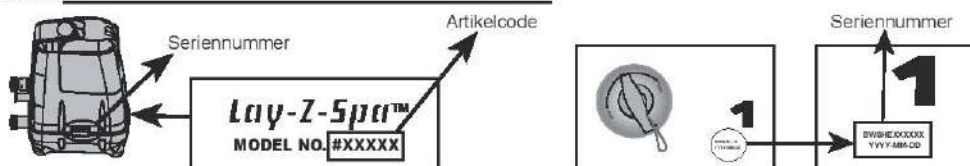
AN: Bestway® Service Department Kaufdatum: _____
 DATUM: _____ Kundencodenummer: _____

FAX/E-MAIL/TEL: Bitte beachten Sie die Hinweise für Ihr Land entsprechend der Informationen auf der Rückseite der Produktverpackung oder auf unserer Website: www.bestwaycorp.com
 Bitte geben Sie Ihre vollständige Anschrift an. **Hinweis:** Unvollständige Adressdaten führen zu Versandverzögerungen.
 Bestway behält sich das Recht vor, die Kosten für unberechtigte Rücklieferungen in Rechnung zu stellen.

ERFORDERLICHE INFORMATIONEN - BITTE GEBEN SIE DIE LIEFERADRESSE AN

Name: _____ Adresse: _____
 Postleitzahl: _____ Händler: _____
 Land: _____ Stadt: _____
 Mobil: _____ Telefon: _____
 Fax: _____ E-mail: _____

SPA-PUMPE Seriennummer: _____ SPA-Pool Seriennummer: _____
 SPA-PUMPE Artikelcode: _____



Sämtliche Zeichnungen dienen lediglich Illustrationszwecken. Nicht maßstabsgetreu.

Problembeschreibung

- Spa-Leckagen
- Das Bedienfeld zeigt einen nicht zu lösenden Fehler an
- Pumpenleckagen
- Sonstiges (bitte beschreiben)
- Wasserfilterungssystem funktioniert nicht
- Adapterleckagen
- Heizsystem funktioniert nicht
- Lay-Z-Massagesystem funktioniert nicht
- Fehlende Teile – Bitte verwenden Sie die Artikelnummer des fehlenden Teils. Diese finden Sie im Benutzerhandbuch.

WICHTIG: ES WIRD LEDIGLICH DAS BESCHÄDIGTE TEIL AUSGETAUSCHT, NICHT DAS GESAMTE SET.

Bestway behält sich das Recht vor, fotografische Nachweise für defekte Teile oder die Zusendung des Artikels für weitere Prüfungen anzufordern.
 Um Ihnen bestmögliche Hilfestellung bieten zu können, bitten wir Sie um vollständige Angaben.

FÜR FAQ, HANDBÜCHER, VIDEOS ODER ERSATZTEILE BESUCHEN SIE BITTE UNSERE WEBSITE www.bestwaycorp.com
 VIDEOS SIND AUCH AUF UNSEREM BESTWAY CHANNEL BEI YOUTUBE ERHÄLTLICH: www.youtube.com/user/BestwayService



SISÄLTÖ

1. Turvaohjeet	P55
2. Tekniset tiedot	P58
3. Asennus	P60
4. Käyttö	P62
5. Kunnossapito	P64
6. Vianetsintä	P66
7. Takuu	P67



TURVAOHJEET

Tämän sähkölaitteen asennuksen ja käytön yhteydessä tulee aina suorittaa turvallisuuteen liittyvät perusvarotoimet, mukaan lukien seuraavat:

TÄRKEITÄ TURVAOHJEITA – LUE JA NOUDATA KAIKKIA OHJEITA.

VAROITUS:

- Pumppu tulee suojata suojaerotusmuuntajalla tai vikavirtasuojalla (RCD), jonka toimintavirta ei ylitä 30 mA.
- Pumppu on testattava aina ennen jokaista käyttöä. Suorita testi noudattamalla tämän käyttöohjeen kohdassa Pumpun testaaminen annettuja ohjeita.
- Ainoastaan valmistaja, valmistajan huoltokumppani tai muu vastaava pätevä henkilö voi vaihtaa vahingoittuneen virtajohdon.
- Vältä sähköiskun riski äläkä käytä jatkojohtoa virtalähteeseen liittämiseksi. Käytä ainoastaan asianmukaisessa sijainnissa olevaa pistotulppaa.
- Mikään laitteen osa ei saa sijaita altaan yläpuolella kun allasta käytetään.
- Osat, joissa kulkee sähkövirtaa, lukuun ottamatta osia, joissa on turvallinen erittäin alhainen alle 12 V:n jännite, on pidettävä altaassa olevan henkilön ulottumattomissa. Osat, joihin kuuluu sähköosia, lukuun ottamatta kauko-ohjauslaitteita, on sijoitettava tai kiinnitettävä siten, että ne eivät voi pudota spa-altaaseen.
- Pumpun pistokkeen tulee sijaita vähintään 3,50 metrin päässä altaasta.
- Pistoke on oltava helppopääsyisessä paikassa myös spa-altaan asentamisen jälkeen.

VAROITUS: Vaaratilanteiden välttämiseksi, jotka voivat aiheutua lämmönkatkaisun tahattomasta nollaamisesta, laitetta ei saa varustaa ulkoisella kytkinlaitteella, kuten ajastimella, eikä sitä saa liittää sähköpiiriin, josta katkaistaan tai johon kytketään säännöllisesti virta.

Kun olet käyttänyt spa-allasta 3–5 vuoden ajan, ota yhteyttä paikalliseen pätevään sähköasentajaan laitteen turvallisuuden ja toiminnan varmistamiseksi. Laitteen pääkomponentit, kuten sähkölaitteen lämmityselementti, ilmapuhaltimen moottori ja takaiskuventtiilit, tulisi tarkistaa ja tarvittaessa vaihtaa. Pätevän asentajan on tehtävä nämä toimet.

Varoitus: Pistoke on pidettävä aina kuivana. Kytkeminen märkään pistokkeeseen on ehdottomasti kielletty!

Altaan kanssa tulee käyttää maadoitettua virtalähdettä.

- **SÄHKÖISKUN VÄLTÄMISEKSI SPA-ALLASTA EI SAA KÄYTTÄÄ SATEELLA.**
- Älä koskaan käytä piilolinssejä spa-altaassa.
- Älä käytä spa-allasta kemikaalihuollon aikana.
- Rakennuksen seinässä oleva virtalähde on pidettävä yli 4 m etäisyydellä altaasta ja vähintään 1,2 m korkeudella.
- Jatkojohtoja ei saa käyttää.
- Älä kytke laitetta virtalähteeseen tai irrota sitä virtalähteestä, jos kädet ovat märät.
- Irrota laite virtalähteestä aina:
 - sateella
 - ennen puhdistusta ja muuta kunnossapitoa
 - jos allas jätetään vartioimatta lomakausien ajaksi
- Tuotteen saa huoltaa ja puhdistaa vain yli 18-vuotias aikuinen, joka ymmärtää sähköiskun vaarat.
- Kun laitetta ei käytetä pitkään aikaan (esimerkiksi talvella), spa tai allas tulisi purkaa osiin ja varastoida sisätiloihin.
- **Varoitus:** Lue ohjeet aina ennen tuotteen käyttöä ja asennusta/uudelleenasetusta.

- Pidä ohjeet tallessa. Jos ohjeet puuttuvat, ota yhteyttä valmistajaan tai lataa ohjeet sivustosta www.bestwaycorp.com
- **Varoitus: Sähköturvallisuuden ylläpitämiseksi sähköjohtoon on asennettu PRCD-laite. Jos havaitaan yli 10 mA:n vuotovirta, kyseinen laite katkaisee virransyötön. Irrota tässä tapauksessa virtajohto virtalähteestä ja lopeta välittömästi tuotteen käyttö. Älä nolaa tuotetta itse. Ota yhteyttä paikalliseen huoltoedustajaan tuotteen tarkistamiseksi ja korjaamiseksi.**
- Tämä tuote ei ole tarkoitettu seuraavien ryhmien käyttöön: lapset ja fyysisistä, henkisistä tai aistirajoitteista kärsivät tai kokemattomat tai tietotasoltaan rajoitetut henkilöt. Kyseiset henkilöt voivat kuitenkin käyttää tuotetta, jos he ovat saaneet opastusta tai ohjeita tuotteen turvalliseen käyttöön henkilöltä, joka on vastuussa heidän turvallisuudestaan. Lapsia tulee valvoa sen varmistamiseksi, että he eivät leiki tällä laitteella. (EU:n ulkopuoliset markkinat)
- 8 vuotta täyttäneet lapset ja fyysisistä, henkisistä tai aistirajoitteista kärsivät tai kokemattomat tai tietotasoltaan rajoitetut henkilöt voivat käyttää tätä tuotetta, jos he ovat saaneet opastusta tai ohjeita tuotteen turvalliseen käyttöön ja ymmärtävät siihen liittyvät riskit. Lapset eivät saa leikkiä tuotteella. Lapset eivät saa puhdistaa tai huoltaa tuotetta ilman valvontaa. (EU:ta varten)
- Lapset leikkivät mielellään vedellä. Muista siis peittää allas suojuksella jokaisen käytön jälkeen.
- Älä hautaa johtoa maan alle. Sijoita johto siten, että ruohon- tai pensasleikkureista ja muista laitteista johtuvien vahinkojen riski on mahdollisimman pieni.
- Hukkumistapaturman vaara. On noudatettava äärimmäistä huolellisuutta lasten luvattoman pääsyn estämiseksi. Varmista onnettomuuksien välttämiseksi, etteivät lapset pääse käyttämään allasta ilman aikuisen jatkuvaa valvontaa.
- **LOUKKAANTUMISEN VAARA.** Älä koskaan käytä spa-allasta, jos sisäänmeno- tai ulostuloputket ovat rikki tai puuttuvat. Älä koskaan yritä itse korjata sisäänmeno- tai ulostuloputkia. Kysy aina neuvoa paikallisesta asiakaspalvelusta.
- **SÄHKÖISKUN VAARA.** Asenna vähintään 2 m päähän metallipinnoista.
- **SÄHKÖISKUN VAARA.** Älä koskaan käytä sähkölaitteita spa-altaassa ollessasi tai kun kehosi on märkä. Älä koskaan aseta sähkölaitetta, kuten lamppua, puhelinta, radiota tai TV:tä alle 2 m päähän altaasta.
- Raskaudenaikainen oleskelu kuumassa vedessä voi vahingoittaa sikiötä. Oleskele vedessä korkeintaan 10 minuuttia kerrallaan.
- **LOUKKAANTUMISRISKIN VÄHENTÄMINEN:**
 - A. Spa-altaan vesi ei koskaan saa olla lämpimämpää kuin 40 °C (104 °F). Veden lämpötiloja 38 °C (100 °F) – 40 °C (104 °F) pidetään turvallisina terveille aikuisille. Vileämpää vettä suositellaan, kun käyttäjiä ovat nuoret lapset tai kun spa-altaassa oleskelu ylittää 10 minuuttia.
 - B. Liian lämmin vesi voi herkästi vahingoittaa sikiötä raskauden ensimmäisten kuukausien aikana. Tämän vuoksi raskaana olevien tai mahdollisesti raskaana olevien naisten tulisi olla spa-altaassa vedessä, jonka lämpötila on korkeintaan 38 °C (100 °F).
 - C. Ennen altaaseen menemistä käyttäjän tulisi mitata veden lämpötila tarkalla lämpömittarilla, sillä veden lämpötilan säätölaitteiden toleranssi vaihtelee.
 - D. Alkoholin, lääkkeiden tai huumeiden käyttö ennen spa:n käyttöä tai sen aikana voi aiheuttaa tajuttomuuden ja mahdollisesti hukkumisen.
 - E. Lihavien henkilöiden tai henkilöiden, joilla on tai on ollut jokin sydänsairaus, matala tai korkea verenpaine, verenkiertoelimistön sairauksia tai diabetes, tulisi ottaa yhteyttä lääkäriin ennen spa:n käyttöä.
 - F. Lääkitystä käyttävien henkilöiden tulisi ottaa yhteyttä lääkäriin ennen spa:n käyttöä, sillä jotkin lääkkeet saattavat aiheuttaa uneliaisuutta. Lääkkeet voivat myös vaikuttaa sydämen sykkeeseen, verenpaineeseen ja verenkiertoon.
- **LOUKKAANTUMISRISKIN VÄHENTÄMINEN:** Älä koskaan kaada vettä, jonka lämpötila on yli 40 °C (104 °F), suoraan spa-altaaseen.
- Alkoholin, huumeiden tai lääkkeiden käyttö voi kasvattaa hengenvaarallisen kehon lämpötilan nousun riskiä huomattavasti. Hypertermia eli liikalämpöisyys syntyy, kun kehon lämpötila nousee useita asteita yli kehon normaalin lämpötilan, joka on 37 °C (98,6 °F). Hypertermian oireita ovat kehon sisälämpötilan nousu, pyörtyys, voimattomuus, uneliaisuus ja pyörtyminen. Hypertermian vaikutuksia ovat: kykenemättömyys huomata kuumuutta, kykenemättömyys ymmärtää, että henkilön tulisi poistua spa- tai muusta altaasta, ymmärtämättömyys siitä, että tilanne on vaarallinen, sikiövauriot raskaana olevilla naisilla, fyysinen kykenemättömyys poistua altaasta, tajuttomuus, joka voi johtaa hukkumiseen.
- Sähköasennusten tulee noudattaa kansallisia säännöksiä. Jos sinulla on kysyttävää sähköasennuksista, ota yhteyttä pätevään sähköasentajaan.

KYSY OHJEITA LÄÄKÄRILTÄSI.

VAROITUS:

- Spa-allasta ei saa asentaa tai jättää ulos, jos ulkolämpötila on alle 4 °C (40 °F).
- Älä käytä spa-allasta yksin.
- Tarttuvia tauteja sairastavien ei tule käyttää spa-allasta.
- Älä käytä spa-allasta heti raskaan urheilun jälkeen.
- Astu aina altaaseen ja poistu sieltä varovasti ja hitaasti. Märät pinnat ovat liukkaita.
- Vältä vahingoittamasta pumppua: käytä spa-allasta vain silloin, kun se on täynnä vettä.
- Poistu spa-altaasta välittömästi, jos tunnet itsesi uniseksi tai olosi on huono.
- Älä koskaan lisää kemikaaleihin vettä. Lisää aina kemikaalit veteen. Näit voit välttää voimakkaat kemikaalien päästöt ilmaan tai reaktiot, jotka voivat olla seurausta vaarallisista kemikaalisuihkeista.
- Katso puhdistusohjeet, veden kunnossapito-ohjeet ja veden poisto-ohjeet kohdasta KUNNOSSAPITO.
- Katso asennusohjeet alla olevasta kappaleesta.

HUOMAA:

- Tarkista tuote ennen käyttöä. Ilmoita Bestwaylle kaikista ostohetkellä rikkinäisistä tai puuttuvista osista tässä käsikirjassa mainittuun asiakaspalveluosoitteeseen. Tarkista, että laitteen osat ovat sen mallin osia, jonka halusit ostaa.
- Tuotetta ei ole tarkoitettu kaupalliseen käyttöön.

SÄHKÖILMAPUMPUN VAROITUS (Palm Springs HydroJet):

Sähköilmapumppu ei ole osa spa-allasta. Katso pumpun turvaohjeet sen omasta käyttöoppaasta. Ilmapumpun kanssa käytettävää jatkojohtoa, jota käytetään täytettäessä allasta ilmalla, ei missään nimessä saa käyttää spa-altaassa.

Altaan ilmalla täyttämisen jälkeen pumppu ja jatkojohto on irrotettava pistorasiasta ja varastoitava sisätiloihin.

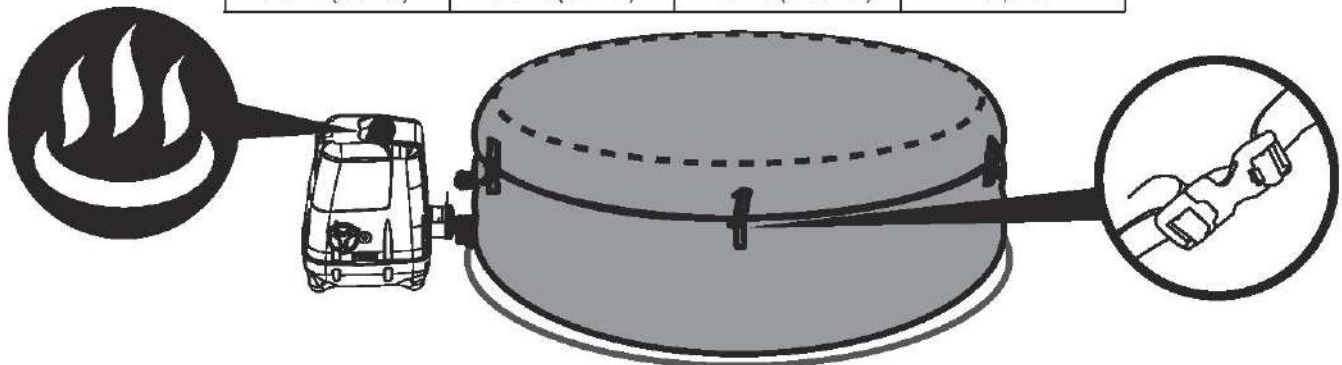
Moottoria ei saa pitää käynnissä kerralla enempää kuin 20 minuuttia.

VAROITUS: SÄHKÖISKUN VÄLTÄMISEKSI TUOTTEeseen EI SAA JOUTUA VETTÄ TAI SE EI SAA ALTISTUA SATEELLE. AINOASTAAN KOTITALOUSKÄYTTÖÖN.

SÄILYTÄ NÄMÄ OHJEET TÄRKEÄÄ!

Veden lämpiämisaika 40 °C:seen (104 °F) riippuu veden lähtölämpötilasta ja ympäröivän ilman lämpötilasta. Alla olevat tiedot ovat vain viitteellisiä. Voit tarkistaa veden vallitsevan lämpötilan käyttämällä suodatinjärjestelmää vähintään minuutin ajan.

Ympäristön lämpötila	Veden lämpötila	Asetettu lämpötila	Lämmityksen kesto
10 °C(50 °F)	10 °C(50 °F)	40 °C(104 °F)	18,5 h
15 °C(59 °F)	15 °C(59 °F)	40 °C(104 °F)	15 h
20 °C(68 °F)	20 °C(68 °F)	40 °C(104 °F)	11,5 h
25 °C(77 °F)	25 °C(77 °F)	40 °C(104 °F)	8,5 h
30 °C(86 °F)	30 °C(86 °F)	40 °C(104 °F)	5,5 h

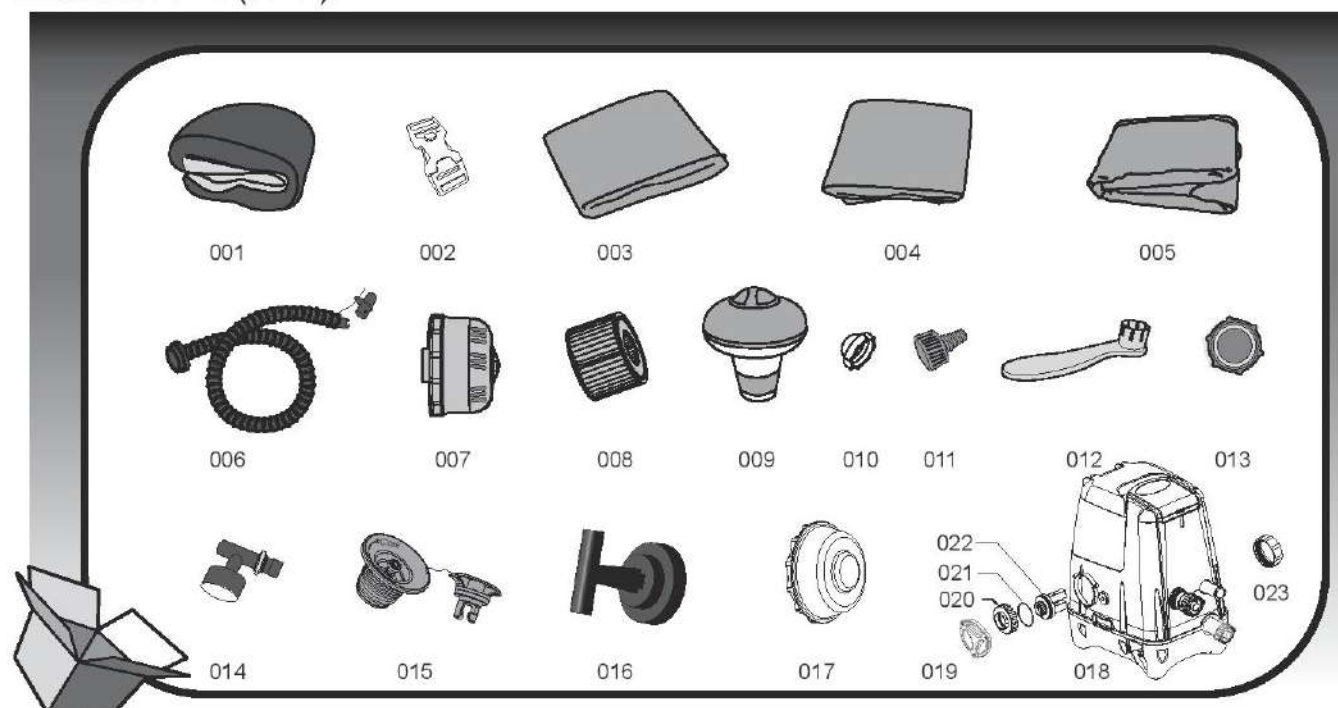


Muista peittää SPA sen omalla suojuksella, kun aloitat veden lämmittämisen. Peittämättömän SPA-altaan vesi lämpiää kauemmin, kuin jos allas olisi peitetty. Älä käytä SPA:ta, jos ympäristön lämpötila on alle 4 °C (39 °F).

LAY-Z-SPA™ HAWAII HYDROJET PRO – TEKNISET TIEDOT (#54138)

Kapasiteetti:	4–6 aikuista	Hierontaturbo-puhallin:	800 W	Jet-pumppu:	1 200 W
Vesikapasiteetti:	795 litraa (210 gal)	Lämmitys-elementti:	2 000 W; 20 °C	Todellinen veden virtaama:	1 325 l/h (350 gal/h)
Koko ilmalla täytettynä:	1,80 m x 1,80 m x 71 cm (71" x 71" x 28")	Pumppu:	50 W (kierto) suodatinpumppu	Nimellisteho:	220-240 V AC, 2 060 W, 20 °C
Paino täytettynä:	867 kg (1,911 Lb)	Lämpötila-kapasiteetit:	40 °C (104 °F)	Käyttöpaine:	1,2 PSI (0,08 bar)
Lämpötilan nousuvauhti:	Noin 1,5-2 °C/h (3-4 °F/h)	Jet-suuttimet:	8 kpl	Suolavesijärjestelmä:	20 W

HUOMAA: Yllä esitetty lämmitysnopeus perustuu laboratoriotestiin, jossa ympäristön lämpötila oli vähintään 25 °C (77 °F).

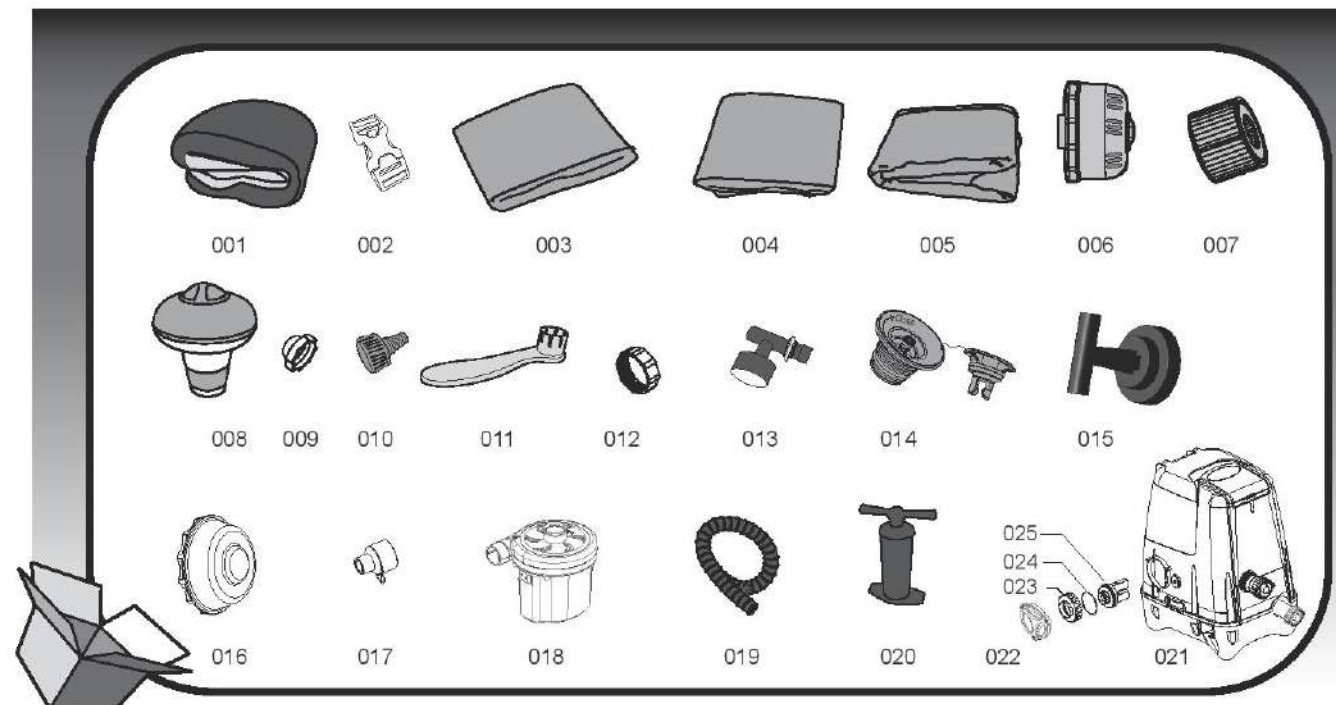


Osanro.	Osakoodi	Kuvaus	MÄÄRÄ
001	54138TASS17	Altaan vuoraus	1
002	F6414ASS16	Kiinnityssolki	8
003	P5511GASS17	Tekonahkainen suojus	1
004	54138GASS17	Puhallettava kansi	1
005	58371(H)S16	Lattiamatto	1
006	P6930	Täyttöletku	1
007	P6653	Suodatinserja	1
008	58323	Suodatinpatruuna	2
009	58426S17	Kemikaalikelkuke	1
010	P6575	Sulkutulppa (suodattimen ulostulo)	1
011	P6H565	Letkun sovitin	1
012	F6H189	Kiintoavain (ilmaventtiiliä varten)	1
013	P6611	Suojuksen sovitin A	1
014	P61199	Painemittari	1
015	P6H971	Täyttöventtiili	1
016	P61385	Kiintoavain (suola-kloorijärjestelmää varten)	1
017	P61290	Sulkutulppa (veden Jet-tuloa varten)	1
018	P4H125ASS17	Spa-pumppu	1
019	P61334	Kansi	1
020	P61386	Elektrolyysikennon mutteri	1
021	P61388	Elektrolyysikennon O-RENGAS	1
022	P61387	Elektrolyysikennon	1
023	P61587	Spa-altaan sulkutulppa	2

LAY-Z-SPA™ PALM SPRINGS HYDROJET – TEKNISET TIEDOT (#54144)

Kapasiteetti:	4–6 aikuista	Suolavesi-järjestelmä: 20 W	Jet-pumppu:	1 200 W	
Vesikapasiteetti	795 litraa (210 gal)	Lämmityselementti: 2 000 W; 20 °C	Todellinen veden virtaama:	1 325 l/h (350 gal/h)	
Koko ilmalla täytettynä:	1,96 m x 71 cm (77" x 28")	Pumppu:	50 W (kierto) suodatinpumppu	Nimellisteho: 220-240 V AC, 2 060 W, 20 °C	
Paino täytettynä:	864 kg (1 905 Lb)	Lämpötila-kapasiteetti:	40 °C (104 °F)	Käyttöpaine: 1,2 PSI (0,08 bar)	
Lämpötilan nousuvauhti:	Noin 1,5-2 °C/h (3-4 °F/h)	Jet-suuttimet:	8 kpl	Sähkökäyttöinen ilmapumppu:	110 W

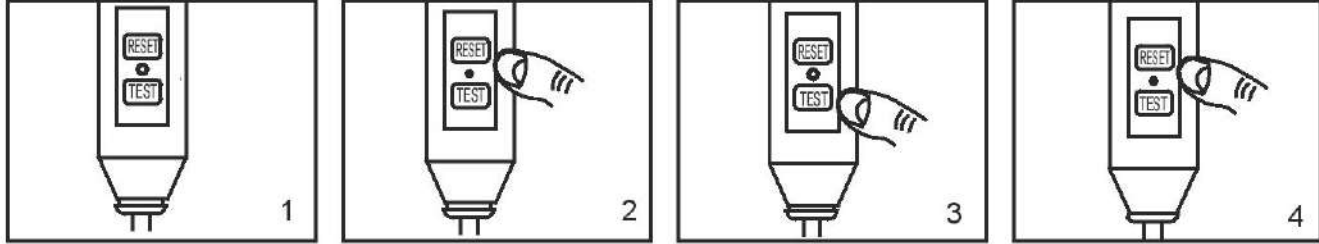
HUOMAA: Yllä esitetty lämmitysnopeus perustuu laboratoriotestiin, jossa ympäristön lämpötila oli vähintään 25 °C (77 °F).



Osanro.	Osakoodi	Kuvaus	MÄÄRÄ
001	54144TASS17	Altaan vuoraus	1
002	F6414ASS16	Kiinnityssolki	6
003	P5532GASS17	Tekonahkainen suojus	1
004	54144GASS17	Puhallettava kansi	1
005	58321(H)S15	Lattiamatto	1
006	P6653	Suodatinisarja	1
007	58323	Suodatinpatruuna (VI)	2
008	58426S17	Kemikaalikelkka	1
009	P6575	Sulkutulppa	1
010	P6H565	Letkun sovitin	1
011	F6H189	Kiintoavain (ilmaventtiiliä varten)	1
012	P61587	Spa-altaan sulkutulppa	2
013	P61199	Painemittari	1
014	P6H971	Täyttöventtiili	1
015	P61385	Kiintoavain (suola-kloorijärjestelmää varten)	1
016	P61290	Sulkutulppa (veden Jet-tuloa varten)	1
017	P61330	Sähkökäyttöisen ilmapumpun letkusovitin	1
018	P61329	Sähkökäyttöinen ilmapumppu	1
019	P61327	Täyttöletku	1
020	P61326	Käsipumppu	1
021	P4H127ASS17	Spa-pumppu	1
022	P61334	Kansi	1
023	P61386	Elektrolyysikennon mutteri	1
024	P61388	Elektrolyysikennon O-RENGAS	1
025	P61387	Elektrolyysikenna	1

Pumpun testaaminen

PRCD-testi



HUOMAA: Piirustukset vain viitteeksi. Eivät välttämättä vastaa todellista tuotetta. Eivät ole mittakaavassa.

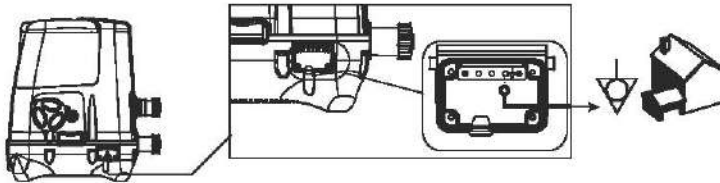
1. Työnnä pistoke pistorasiaan.
2. Paina RESET-painiketta. Merkkivalo syttyy.
3. Paina TEST-painiketta. Merkkivalo sammuu.
4. Paina RESET-painiketta. Merkkivalo syttyy.
5. Aina ON/OFF-painiketta 2 sekunnin ajan. Pumppu on käyttövalmis.



VAROITUS: PRCD-pistoke on testattava aina ennen käyttöä. Näin voidaan välttää sähköiskun vaara.

VAROITUS: Tarkista ennen pistokkeen työntämistä virtalähteeseen, että virtalähteen jännite on pumpun kannalta oikea.

VAROITUS: Älä käytä pumppua, jos testi epäonnistuu. Ota siinä tapauksessa yhteyttä asiakaspalveluun.



SPA-PUMPUN POTENTIAALINTASAUUSLIITOS

On suositeltavaa, että pätevä sähköasentaja yhdistää SPA-pumpun maadoitusliittimeen käyttämällä vähintään 2,5 mm² yksilankaista kuparijohtinta.

ASENNUS

VAROITUS: Valitun paikan on pystyttävä kantamaan odotettu paino.

VAROITUS: On järjestettävä asianmukainen vedenpoistojärjestelmä, joka selviää sisä- ja ulkoasennusten ylimääräisen veden poistosta.

HUOMAA: Vain Hydro-Jet Pro spa:ssa on Lay-Z-Massage -järjestelmäpainike. Ilmaletkun ja pumpun liittymäkohdasta vuotaa ilmaa ilmalla täyttämisen aikana. Tämä on normaalia, ja sen tarkoituksena on ehkäistä ylitäytön aiheuttamia vaurioita.

HUOMAA: Älä täytä allasta ilmalla käyttämällä ilmakompressoria.

HUOMAA: Älä vedä allasta karhealla alustalla, sillä se saattaa vahingoittaa altaan vuorausta.

HUOMAA: Täyttöaika on viitteellinen.

HUOMAA: Painemittari on tarkoitettu vain ilmantäyttöön ja mittarin arvo on tarkoitettu vain viitteeksi. Sitä ei saa käyttää tarkkuusvälineenä.



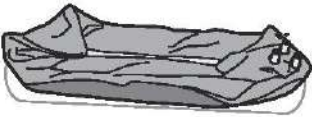
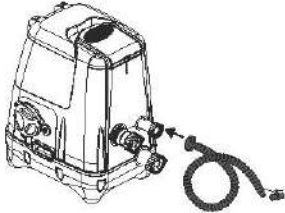

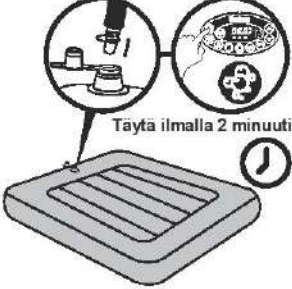

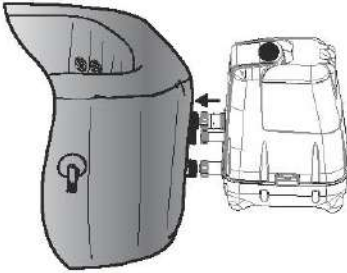
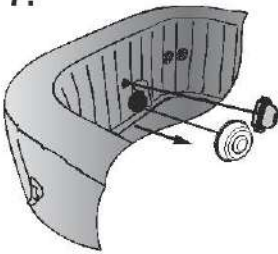
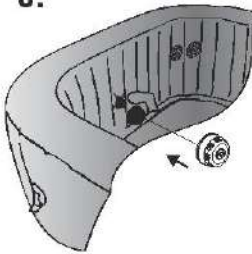
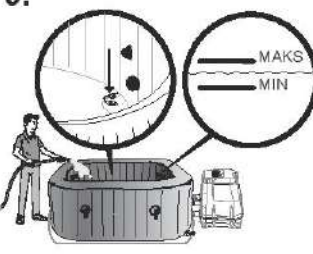

Ilmaventtiilin tarkistaminen

Tarkista ilmaventtiili aina huolellisesti ennen ilmalla täyttämistä sen varmistamiseksi, että ilmaa ei pääse vuotamaan. Jos ilmaventtiili on irti, kiinnitä se mukana toimitetulla kiintoavaimella seuraavien ohjeiden mukaisesti: Pidä toisella kädellä ilmaventtiilin takaosasta kiinni spa:n sisäseinän sisäpuolella käsin ja käännä kiintoavainta myötäpäivään.

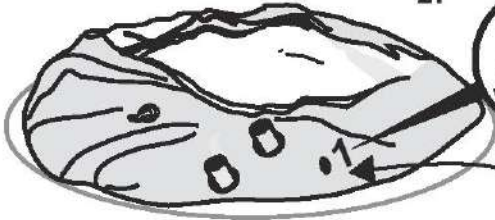
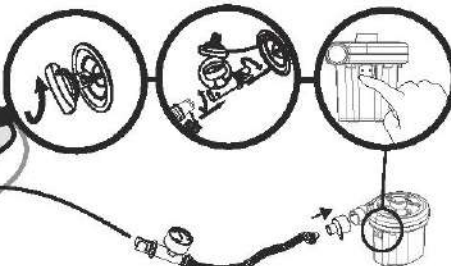

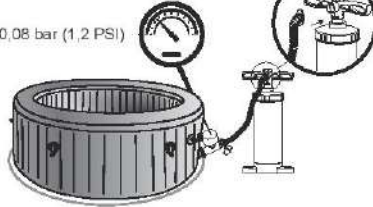
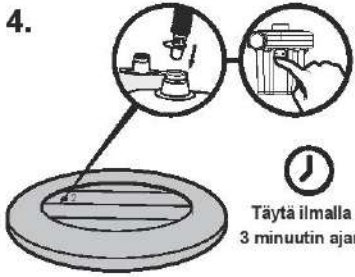
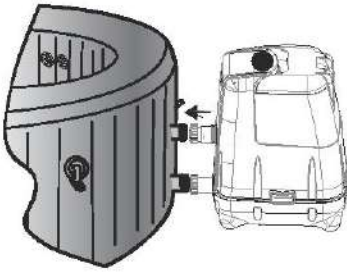
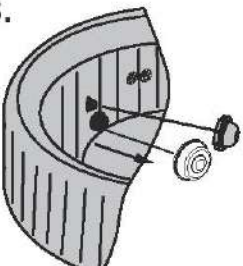
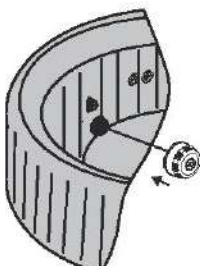
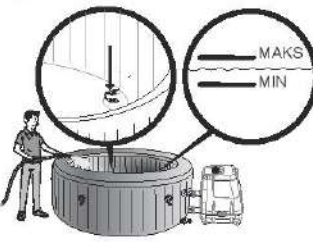

HUOMAA:

1. Älä kierra liian kireästi kiinni.
2. Älä säädä ilmaventtiilin liittintä, kun spa on käytössä.

HAWAII HYDROJET PRO:N ASENTAMINEN (#54138)

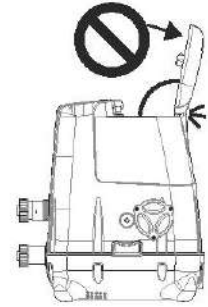
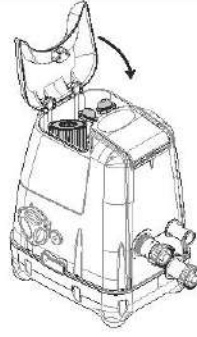
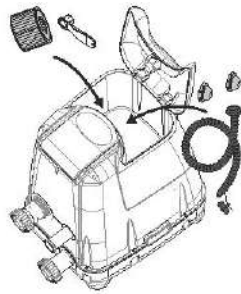
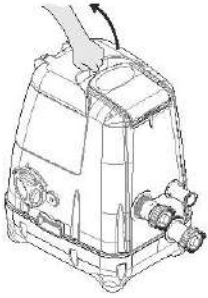
<p>1.</p> 	<p>2.</p> 	<p>3.</p>  <p>3 sekuntia lukituksen poistoon</p> <p>Täytä ilmalla 5 minuutin ajan.</p> <p>Paina 2 sekunnin ajan.</p> <p>0,08 bar (1,2 PSI)</p> <p>Ilmantäytön lopetus.</p>	
<p>4.</p>  <p>Täytä ilmalla 2 minuutin ajan.</p>	<p>5.</p> 	<p>6.</p> 	
<p>7.</p> 	<p>8.</p> 	<p>9.</p>  <p>MAKS</p> <p>MIN</p>	<p>10.</p> 

PALM SPRINGS HYDROJETIN ASENTAMINEN (#54144)

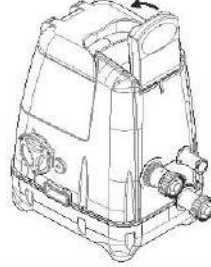
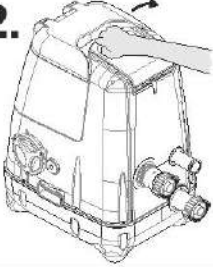
<p>1.</p> 	<p>2.</p> 	 <p>Esitäytä 7 minuutin ajan.</p> <p>Huomaa: Moottoria ei saa pitää käynnissä kerralla enempää kuin 20 minuuttia.</p>	
<p>3. Jatka spa-altaan täyttämistä ilmalla käsipumpun avulla</p> <p>0,08 bar (1,2 PSI)</p> 	<p>4.</p>  <p>Täytä ilmalla 3 minuutin ajan.</p>	<p>5.</p> 	
<p>6.</p> 	<p>7.</p> 	<p>8.</p>  <p>MAKS</p> <p>MIN</p>	<p>9.</p> 

KÄYTTÖ

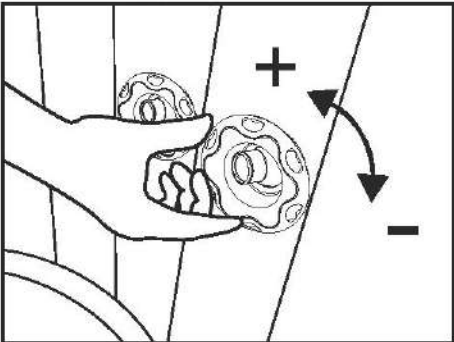
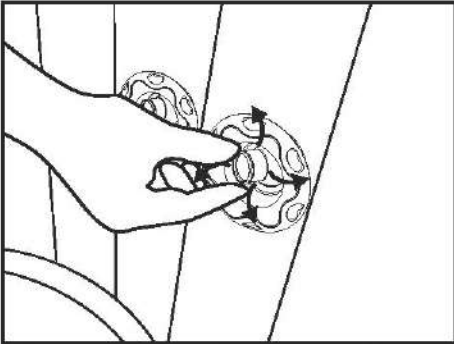
1.



2.



3. Jet-suuttimen säätäminen



5. Lämmityksen nollaus

Muista nollata pumppu, kun käytät Lay-Z-Spa-allasta ensimmäisen kerran tai jos et ole käyttänyt sitä pitkään aikaan. Pumppu nollataan painamalla RESET-painiketta pienellä ja ohuella esineellä.

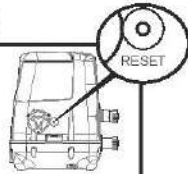
RESET-PAINIKE

TÄRKEITÄ KÄYTTÖOHJEITA

Jos ohjauspaneelin näyttämä lämpötila (tai veden lämpötila) ei ole muuttunut 4–5 tunnin kuluessa lämmitysjärjestelmän käynnistyksestä, käynnistä järjestelmä uudelleen painamalla RESET-painiketta ohuella esineellä.

TÄRKEÄÄ: Lämmitysjärjestelmä ei toimi jos ulkolämpötila on yli 40 °C (104 °F) tai jos Lay-Z-Spa on suorassa auringonvalossa.

Jos näin on, odota viileämpää ajankohtaa ennen kuin painat RESET-painiketta ohuella esineellä käynnistääksesi lämmitysjärjestelmän uudelleen. Tämä toiminto on tehtävä joka kerran kun pumpun tila on jokin yllä olevista.



4. Suola-kloorijärjestelmän ohje

HUOMAA: Suola-kloorijärjestelmän käyttö edellyttää suolan lisäämistä veteen seuraavien ohjeiden mukaisesti.

- (1) Käynnistä HydroJet-järjestelmä. Veden kierto käynnistyy.
- (2) Pidä suola-kloorijärjestelmä poissa päältä.
- (3) Lisää vähitellen 4,4 lbs / 2 kg suolaa spa-altaaseen. Käytä ainoastaan natriumkloridia (NaCl), jonka puhtausaste on vähintään 99,9 % tai vesihuoltoon tarkoitettuja suolapelleettejä (suolapuristeita, joista vesi on haihdutettu pois). Pellettien liukeneminen kestää natriumkloridia kauemmin. Anna HydroJet-järjestelmän olla käynnissä 5 minuutin ajan.
- (4) Kun kaikki suola on liuennut, käynnistä suola-kloorijärjestelmä ja aseta käyntiaika (lisätietoja on suola-kloorijärjestelmän painikkeen ohjeissa).

HUOMAA: Suojaa spa kannella suola-kloorausprosessin aikana.

E11 Lisää suolaa jos suolan määrä on liian alhainen

Jos et ole lisännyt riittävästi suolaa, näytössä näkyy virhekoodi E11.

- (1) Irrota spa:n virtajohto ja työnnä se takaisin sähköpistokkeeseen. Paina sitten Reset-painiketta.
- (2) Käynnistä HydroJet-järjestelmä.
- (3) Lisää hiljalleen 1,1 lbs/0,5 kg suolaa ja anna sen liueta.
- (4) Käynnistä suola-kloorijärjestelmä.
- (5) Jos virhekoodi E11 näkyy yhä, noudata yllä olevia ohjeita, kunnes virhekoodi ei enää tule näkyviin.

E10 Poista suolaa jos suolan määrä on liian korkea

Jos olet lisännyt liikaa suolaa, näytössä näkyy virhekoodi E10.

- (1) Irrota spa:n virtajohto virtalähteestä.
- (2) Tyhjennä noin 20 % vedestä ja täytä altaaseen sama määrä vettä.
- (3) Käynnistä suola-kloorijärjestelmä.
- (4) Jos virhekoodi E10 näkyy yhä, noudata yllä olevia ohjeita, kunnes virhekoodi ei enää tule näkyviin.

- A** Lukitus/lukituksen poisto -painike
Pumpussa on 5 minuutin automaattinen lukitusajankohta. LED-valo himmenee, kun pumpu on lukittu (mitään toimintaa ei ole aktivoitu). Voit lukita pumpun tai poistaa sen lukituksen painamalla lukitus/lukituksen poistopainiketta 3 sekunnin ajan.
- B** Lay-Z-Massage-järjestelmän painike (Hydro-Jet Pro)
Tätä painiketta painamalla voit aktivoida hierontajärjestelmän. Toiminto päättyy automaattisesti 30 minuutin kuluttua.
Lay-Z-Massage-järjestelmän painikkeen yläpuolella oleva valo palaa punaisena, kun hierontatoiminto on aktiivinen.
- TÄRKEÄ:** Älä käytä Lay-Z-Massage-järjestelmää, kun altaan sukus on kiinnitettynä. Spaa sisältä voi kertyä ilmaa, joka voi aiheuttaa korjauksellista vahinkoa sujukselle ja henkilövahinkoja.
- HUOMAA:** Lämpö ja hierontajärjestelmä antavat yhdessä lämpimän hierontokokemuksen.

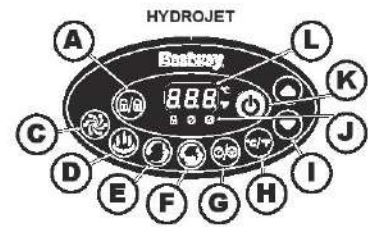
- C** HydroJet-järjestelmän painike
Painike käynnistää vesipumpun ja sammuttaa sen.
HydroJet-järjestelmän painikkeen yläpuolella oleva valo palaa punaisena, kun toiminto on aktiivinen.
- HUOMAA:** Järjestelmä lopettaa toiminnan automaattisesti 1 tunnin kuluttua.
- HUOMAA:** HydroJet-järjestelmän kuvakäyttö on kiellettyä.

- D** Lämpö-painike
Tällä painikkeella voit aktivoida lämmitysjärjestelmän. Kun painikkeen yläpuolella oleva valo palaa punaisena, lämmitysjärjestelmä on aktiivinen. Kun valo on vihreä, vesi on määrätyn lämpöistä ja lämmitysjärjestelmä on lepotilassa.
- HUOMAA:** Lämmitysjärjestelmän aktiivinen käynnistää suodatustajärjestelmän automaattisesti.
- HUOMAA:** Suodatustajärjestelmä jatkaa toimintaansa, kun lämmitysjärjestelmä sammutetaan.

- E** Vedensuodatus-painike
Painike käynnistää suodatuspumpun ja sammuttaa sen.
Toiminto on aktiivinen, kun Vedensuodatus-painikkeen yläpuolella oleva valo palaa punaisena.
- HUOMAA:** Integroitu kovan veden käsittelyjärjestelmä toimii automaattisesti. Suola-kloorijärjestelmän painike.

- F** Suola-kloorijärjestelmän painike
Tätä painiketta painamalla voit käynnistää suola-kloorijärjestelmän ja määrittää sen käynnin keston. Voit määrittää käynninajaksi 3, 5 tai 6 tuntia painamalla suola-kloorijärjestelmän painiketta. Suola-kloorijärjestelmä alkaa toimia automaattisesti käynninajan määrittämisen jälkeen.
- HUOMAA:** Älä paina mitään ohjauspaneelin painikkeita ja peitä SPA sujuksella kloorauksen ajaksi. Voit muuttaa käynninajaa painamalla suola-kloorijärjestelmän painiketta.
- HUOMAA:** Testaa vettä säännöllisesti, jotta voit varmistaa, että vapaan kloorin määrä on 2-4 ppm.

- G** Energiansäästö-ajastinpainikkeen OHJEET
Tämä on asettamasi laisyytoiminto. Sen tarkoituksena on auttaa säästämään energiaa, kun spaa lämmitysajaksi ja lämmityksen kesto voidaan määrittää.
Tämän ansiosta voit nauttia spa-kokemuksesta silloin kun haluat, eikä sinun tarvitse pitää lämmittämistä päällä jatkuvasti.
- VAIHE 1:** Aseta lämmityksen kesto
1. Paina -painiketta, LED alkaa vilkkua.
2. Säädä lämmityksen kesto painamalla painiketta tai (1-48 tuntia).
3. Vahvista lämmityksen kesto painamalla painiketta uudelleen.
- VAIHE 2:** Määritä niiden tuntein määrä, JOIDEN KULUTTUA lämmittämistä on aktiivista.
1. Lämmitysajan määrittämisen jälkeen LED alkaa vilkkua.
2. Määritä aktiivisuudesta edeltävä aika painamalla painiketta tai (0-99 tuntia).
3. Vahvista asetukset painamalla painiketta uudelleen. Voit vahvistaa asetuksen myös, jos et kosketa mitään painiketta 10 sekuntiin. LED palaa tasaisesti ja lämmityksen käynnistymisen odotusajan laskuri käynnistyy.
- Ajastimen asetusten muuttaminen:** Paina painiketta ja säädä asetusta painikkeella tai .
- Asetuksen peruuttaminen:** Paina painiketta 2 sekunnin ajan.



- HUOMAA:** Näytössä näkyvä asetuksen jälkeen vuorotellen tämän hetkinen lämpötila ja kellonaika.
- HUOMAA:** Ajastimen ajaksi voidaan asettaa 1-48 tuntia. Tämä tarkoittaa aikaa, jolloin lämmitin on päällä. Varusajan asetus (se aika tunteina TÄSTÄ HETKESTÄ ALKAEN siihen asti, kun lämmitin alkaa toimia) voi olla 0-99 tuntia. Jos ajastimen asetusajaksi on 0 tuntia, ajastustoiminto ei ole määritetty.
- Ajastimen asetus on kertakäyttöinen. Käyttäjä asettaa lämmitysyksikön keston ja määrittää, miten monen tunnin kuluttua nykyhetkestä lähtien lämmitysyksikö käynnistyy. Ajastin EI toista toimintoa ellei sitä nollata välillä.

- H** Celsius/Fahrenheit-näyttö
 Lämpötila voidaan näyttää käyttämällä yksikkönä Fahrenheitia tai Celsiusia.

- I** Lämpötilan säätöpainikkeet
 Lämpötilan lisäämis- tai vähentämispainikkeiden painaminen saa LED-valon vilkkumaan. Voit säätää lämpötilan haluamaksesi, kun valo vilkkuu. Painikkeiden pitämisen painettuna muuttaa lämpötila-asetuksia nopeasti. Uusi lämpötila-asetus näkyy LED-näytössä 3 sekunnin ajan uuden asetuksen varmistamiseksi.

- HUOMAA:** Oletuslämpötila on 35 °C (95 °F).
- HUOMAA:** Lämpötilan säätöväli on 20-40 °C (68-104 °F).

- J** Energiansäästöajastimen LED
 Tämän LED-valon vilkkuminen tarkoittaa, että olet määrittämässä lämmityksen kesto. Valo palaa lämmitystoiminnon käynnistyttyä.
Vilkkuva LED tarkoittaa, että olet määrittämässä niiden tuntein määrää, JOIDEN KULUTTUA lämmittämistä alkaa toimia. Kun valo palaa tasaisesti, toiminto on asetettu.

- K** Virtapainike
 Paina tätä painiketta 2 sekunnin ajan, kun haluat aktivoida ohjauspaneelin painikkeet. Valo muuttuu vihreäksi.
Kun painat painiketta 2 sekunnin ajan, poistat kaikki tällä hetkellä aktivoitujen toimintojen toiminnasta.

- L** LED-näyttö
 Kun LED-näyttöön on kytketty virta, se näyttää automaattisesti veden nykyisen lämpötilan.
 72 tunnin suodatuksen jälkeen (kun käytössä ei ole energiansäästöajastin) pumpu siirtyy lepotilaan ja näyttöön tulee näkyviin sana End ja sen hetkinen veden lämpötila. Kun pumpu on lepotilassa, lämmitys- ja veden suodatustoiminnot ovat pois käytöstä. Voit aktivoida pumpun uudelleen painamalla lukitus/lukituksen poisto -painiketta 3 sekunnin ajan.

- HUOMAA:** Veden lämmitynopeus voi muuttua jos ulkolämpötila on alle 15 °C (59 °F) suojus ei ole paikallaan, kun lämmitystoiminto on aktiivinen.
- HUOMAA:** Voit tarkistaa veden välittömän lämpötilan käyttämällä suodatustajärjestelmää vähintään minuutin ajan. Ulkoisella lämpömittarilla tehtyjen mittausten tulokset voivat vaihdella spa-näytön tuloksista. Tämä johtuu eroista mittauslaitteiden ajaneissa.

Hälytykset

Ongelmat	Syyt	Ratkaisut
Veden virtausanturi toimivat ilman että suodatin- tai lämmityspainiketta on painettu.	1. Veden virtausanturin liput eivät palanneet oikeaan asentoon. 2. Veden virtausanturit ovat rikki.	1. Irrota pumpun virtajohto virtalähteestä, kopauta pumpun sivua varovasti, ja laita virtajohto takaisin virtalähteeseen. 2. Ota yhteyttä Bestwayn paikalliseen asiakaspalveluun lisäohjeiden saamiseksi.
Käynnistyttyä jälkeen tai suodatuksen ja/tai lämmityksen aikana veden virtausanturit eivät havaitse virtausta.	1. Olet unohtanut poistaa 2 sulkutulppaa altaan sisältä. 2. Suodatintulpat ovat liikkeellä. 3. Aktivoi suodatin- tai lämmitysajastin ja aseta kätesi poistoputken eteen altaan sisällä varmistaaksesi, tunnelko veden virtaavan ulos. a. Jos vesi ei virtaa, vesipumppu on rikki. b. Vesi virtaa, mutta näytössä näkyy hälytys. Veden virtausanturit ovat rikki.	1. Irrota kaksi sulkutulppaa ennen lämmitysajastimen käynnistämistä. Katso lisäohjeita käyttöoppaan asennusosasta. 2. Poista suodatintulpat altaan sisältä, ja paina suodatin- tai lämmityspainiketta. Jos hälytystä ei tule, puhdista tai vaihda suodatintulpat ja asenna suodatintulpat takaisin altaan sisäpuolelle. 3. Ota yhteyttä Bestwayn paikalliseen asiakaspalveluun lisäohjeiden saamiseksi.
Pumpun lämpömittari kertoo, että veden lämpötila on alle 4 °C (40 °F).	1. Veden lämpötila on alle 4 °C (40 °F). 2. Jos veden lämpötila on yli 7 °C (44,6 °F), pumpun lämpömittari on rikki.	1. Alasta ei ole suunniteltu toimimaan, kun veden lämpötila on alle 4 °C (40 °F). Irrota pumpun virtajohto sähköpölkkeestä ja käynnistä pumpu uudelleen vasta, kun veden lämpötila on 6 °C (43 °F). 2. Ota yhteyttä Bestwayn paikalliseen asiakaspalveluun lisäohjeiden saamiseksi.
Pumpun lämpömittari kertoo, että veden lämpötila on yli 50 °C (122 °F).	1. Veden lämpötila on yli 50 °C (122 °F). 2. Jos veden lämpötila on alle 45 °C (113 °F), pumpun lämpömittari on rikki.	1. Alasta ei ole suunniteltu toimimaan, kun veden lämpötila on yli 40 °C (104 °F). Irrota pumpun pistoke ja käynnistä pumpu uudelleen vasta, kun veden lämpötila on 38 °C (100 °F) tai alempi. TÄRKEÄ: Ennen kuin käynnistät pumpun uudelleen, paina sen reset-painiketta. 2. Ota yhteyttä Bestwayn paikalliseen asiakaspalveluun lisäohjeiden saamiseksi.
Pumpun lämpömittarin liittännössä on ongelmia.	1. Pumpun lämpömittarin liittimet eivät toimi oikein. 2. Pumpun lämpömittari on rikki.	Ota yhteyttä Bestwayn paikalliseen asiakaspalveluun lisäohjeiden saamiseksi.
Manuaalisesti nolattussa lämmönkalkaisussa on ongelmia.	Manuaalisesti nolattava lämmönkalkaisu on lauennut.	1. Irrota pumpun virtajohto ja paina pumpun nolaspainiketta. Kytke sitten pumpun virtajohto takaisin. 2. Mikäli hälytys vielä jatkuu, tarkasta RESET-painikkeen ohjeet käyttöoppaasta. 3. Ota yhteyttä Bestwayn paikalliseen asiakaspalveluun lisäohjeiden saamiseksi.
104 °C (219 °F) Sulakkeessa on häiriö.	Sulake on palanut.	Ota yhteyttä Bestwayn paikalliseen asiakaspalveluun lisäohjeiden saamiseksi.
Paljon suolaa -varoitus.	On lisätty liian paljon suolaa tai liian paljon vettä on haihtunut.	1. Noudata käyttöoppaan ohjeita suolan määrän vähentämiseksi. 2. Ota yhteyttä Bestwayn paikalliseen asiakaspalveluun lisäohjeiden saamiseksi.
Vähän suolaa -varoitus.	Ei riittävästi suolaa puhdistukseen.	1. Noudata käyttöoppaan ohjeita suolan määrän lisäämiseksi. 2. Ota yhteyttä Bestwayn paikalliseen asiakaspalveluun lisäohjeiden saamiseksi.
Vesivuoto pumpussa.	Järjestelmä on havainnut pumpun sisäisiä vesivuotoja.	Ota yhteyttä Bestwayn paikalliseen asiakaspalveluun lisäohjeiden saamiseksi.
Signaaliinjaa ei ole liitetty.	Ohjauspaneelin ja virtarajakölyn liittämät ei ole asianmukainen.	Ota yhteyttä Bestwayn paikalliseen asiakaspalveluun lisäohjeiden saamiseksi.

KUNNOSSAPITO

HUOMAA: Spa:han on lisättävä silloin tällöin lisäilmaa. Päivä- ja yölämpötilojen erot muuttavat spa-altaan ilmanpainetta ja tämä voi aiheuttaa jonkin verran ilman tyhjenemistä. Tyhjennä spa vedestä noudattamalla käyttöoppaan asennusohjeita, ennen kuin täytät spa-altaan oikeaan ilmanpaineeseen.

VAROITUS: VARMISTA ETTÄ PUMPPU ON IRROTETTU SÄHKÖVIRRASTA ENNEN HUOLTOTOIMENPITEIDEN ALOITTAMISTA.

Suodatinpatruunan kunnossapito

HUOMAA: Varmista veden pysyminen puhtana tarkistamalla ja puhdistamalla suodatinpatruunat joka päivä alla olevien ohjeiden mukaisesti.



HUOMAA: Suosittelemme vaihtamaan suodatinpatruunat joka viikko. Jos patruunat ovat liikkeet ja värjäytyneet, ne pitäisi vaihtaa uusiin.

Vedenlaadun ylläpito

Altaan veden pitäminen puhtana ja veden kemiallisesta tasapainosta huolehtiminen on tärkeää ja tarpeellista. Pelkkä suodatinpatruunan puhdistaminen ei riitä. Noudata jompaakumpaa alla olevista suosituksista:



1. Käytä laitteen sisäistä suola-kloorijärjestelmää säännöllisesti. Suolainen vesi kulkee kloorauslaitteen elektrolyysikennon läpi. Tämä prosessi tuottaa klooria, joka liukenee välittömästi veteen. Kloori alkaa tappaa bakteereita ja leviä ja hapettaa muita orgaanisia aineita.

Suosittellemme ensimmäisellä käyttökerralla maantamaan käyntiajaksi 8 tuntia, jos kyseessä on makea vesi, ja käyttämään testiliuskaa sen varmistamiseksi, että vapaan kloorin määrä on 2–4 ppm. Pidennä käyntiaikaa, jos vesi on lämmintä tai jos SPA-allasta ei ole peitetty suojuksella. Käytä kloorausjärjestelmää joka 24 tuntia, jos SPA on käytössä. Käyntiaika riippuu testituloksista ja siitä, kuinka usein SPA:ta käytetään.

HUOMAA: Testaa vapaan kloorin määrä kahdesti päivässä, kun käytät kloorausjärjestelmää ensimmäistä kertaa. Kun vapaan kloorin pitoisuus vakiintuu, testaa se kahdesti viikossa. Näin voit varmistua, että vapaan kloorin pitoisuus pysyy 2–4 ppm:ssä.

HUOMAA: Älä käytä SPA:ta, jos vapaan kloorin pitoisuus on yli 4 ppm.

2. Käytä uima-allaskemikaaleja veden kemiallisen koostumuksen ylläpitämiseen. Käytä kloori- tai bromitabletteja (älä käytä rakeita), joita käytetään kemikaalikelukkeissa.

Kemikaalitablettien käyttäminen (eivät sisälly pakkaukseen)

(Viite: Trichlorinafedi isocyanuric acid -happo 3–6 g)

Kemikaalilainesteen käyttäminen (ei sisälly pakkaukseen)

(Katso käyttöohjeita nestemäisten kemikaalien pakkauksista)



Vesi tulisi vaihtaa suunnilleen 3 päivän välein. Vaihtovalia voi pidentää veden asianmukaisella kemiallisella kasittelyllä. Vedenlaatuun vaikuttavat altaan käyttöiheyys, allasta käyttävät henkilöt ja altaan yleishuoltotoimenpiteet.

HUOMAA: Suosittelemme käymään suihkussa ennen Lay-Z-Spa:n käyttämistä. Kosmeettiset aineet, voiteet ja muut iholla olevat aineet voivat huonontaa vedenlaatua nopeasti.

HUOMAA: Poista kemikaalikeluke altaasta, kun allas on käytössä.

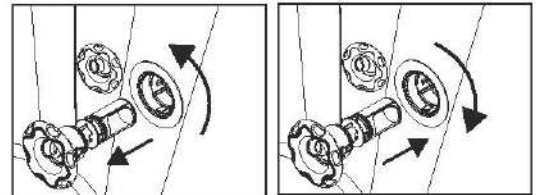
TARKEÄÄ: Testaa veden kemiallinen koostumus testisarjalla (ei sisälly toimitukseen), sen jälkeen kun kemikaaleja on lisätty veteen ja ennen kuin allasta käytetään. Suosittelemme seuraavia arvoja.

pH	Kokonaismäksisyys	Vapaa kloori
7,4-7,6	80-120 ppm	2-4 ppm

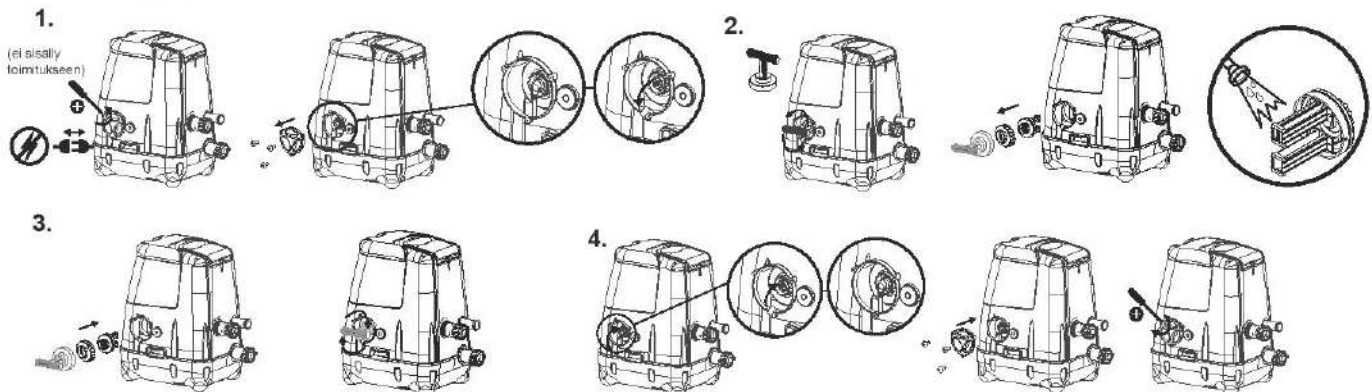
HUOMAA: Takuu ei kata kemiallisesta epätasapainosta aiheutuvia vahinkoja. Allaskemikaalit ovat periaatteessa myrkyllisiä ja niitä tulisi käsitellä varoen. Kemialliset kaasut ovat vakava terveysriski. Myös virheelliset etiketit ja kemiallisia aineita sisältävien välineiden varoitusmerkit voivat olla vakavia terveysriskejä. Lisätietoja veden kemiallisen tasapainon ylläpitämisestä saat paikalliselta uima-aluetuotteiden jälleenmyyjältä. Seuraa tarkasti kemikaalien valmistajan ohjeita. Takuu ei kata vahinkoja, jotka ovat aiheutuneet kemikaalien väärinkäytöstä ja altaan veden väärinlaisesta huollosta.

Jet-suuttimen huolto

1. Käännä, kunnes kuulet napsahduksen ja vedä Jet-suutin ulos roskien poistamiseksi.
2. Työnnä paikalleen ja käännä myötäpäivään.



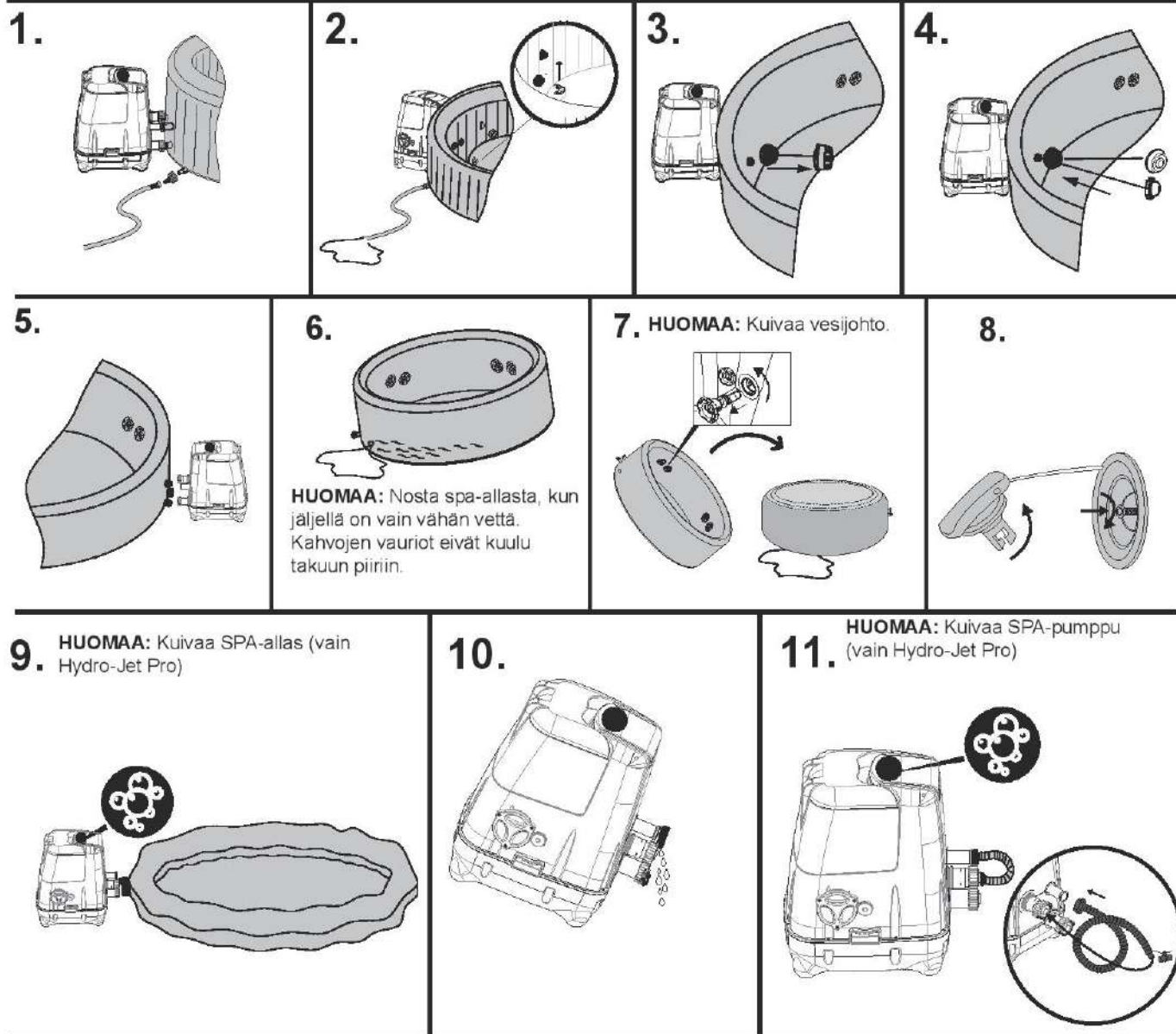
Suola-kloorijärjestelmän huolto



HUOMAA: Jos jäämiä on yhä pesun jälkeen, aseta elektrolyysikennon säiliöön, kaada ruuanlaitossa käytettävää viinietikkaa säiliöön ja anna titaaniattojen liota etikassa noin 4 tunnin ajan ennen kuin peset ne uudelleen. Toista tarvittaessa.

Spa-altaan tyhjentäminen

HUOMAA: Piirustukset ovat vain viitteeksi. Eivät välttämättä vastaa todellista tuotetta. Eivät ole mittakaavassa.



Spa-altaan puhdistaminen

Altaan seinämiin saattaa kertyä pesuaineiden jäämiä ja uimapuuvuista liuenneita kiintoaineita ja kemikaaleja. Puhdista seinämät saippualla ja vedellä ja huuhtelee huolellisesti.

HUOMAA: ÄLÄ KÄYTÄ kovia harjoja ja hankausaineita.

Spa:n paikkaaminen

Spa-altaan ilmalla täytettävä suojus

Jos spa on revennyt tai siinä on reikiä, korjaa kohta pakkaukseen sisältyvällä kestäväällä korjauspaikalla.

1. Puhdista korjattava alue.
2. Ota paikka varovasti esiin.
3. Paina paikka korjattavaan kohtaan.
4. Odota 30 minuuttia ennen täyttämistä.

SPA-altaan vuoraus

Jos allas on repeytynyt tai siinä on reikä, käytä mukana tulevaa PVC-korjauspaikkaa ja liimaa (ei sisälly toimitukseen) seuraavien ohjeiden mukaisesti:

1. Puhdista ja kuivaa korjattava alue.
2. Leikkaa mukana toimitettu PVC-paikka sopivan kokoiseksi.
3. Levitä liimaa (ei sisälly toimitukseen) leikkaamasi paikan toiselle puolelle. Varmista, että liima levittyy tasaisesti joka puolelle.
4. Odota 30 sekuntia, ja aseta sitten leikkaamasi paikka liimoineen rikkiin kohtaan.
5. Tasoita kaikki ilmakuplat, joita on voinut jäädä paikan alle, ja paina tiukasti kahden minuutin ajan.
6. Odota 30 minuuttia ennen täyttämistä.
7. Tuote on jälleen käyttövalmis. Toista näitä vaiheita, kunnes vuotoja ei enää ole.




Lay-Z-SPA-altaan varastointi

Varmista että allas ja pumppu ovat täysin kuivat. Tämä pidentää altaan käyttöikää olennaisesti. Suosittelemme altaan, pumpun ja putkien kuivaamista pumpulla. Poista suodatinsarjat ja hävitä käytetyt suodatinpätkät. Kiinnitä sulkutulpat altaan syöttö- ja lähtöventtiileihin. Spa-allasta suositellaan säilytettäväksi alkuperäispakkauksessaan lämpimässä ja kuivassa paikassa.

HUOMAA: Muovi haurastuu ja saattaa murtua helpommin, jos se on altistunut pakkaselle. Jäätyminen voi vahingoittaa allasta vakavasti. Tuotteen takuu voi raueta, jos sitä on säilytetty väärin talvella.

Hävittäminen Ylivivaatun roska-astian symbolin merkitys: Sähkölaitteita ei saa hävittää lajittelemattoman kotieläinlajin kanssa. Ne on vietävä tältä tarkoitusta varten oleviin erillisin keräyspisteisiin. Saat lisätietoja käytettävissä olevista keräyspisteistä alueesi jätehuoltoonuvajalta tai kunnan Internet-sivuilta. Luontoon tai esimerkiksi suoraan kaatopaikoille jätetty sähkö- ja elektroniikkaromu voi aiheuttaa haittaa ihmisille ja terveydelle, sillä se sisältää tiettä haitallisia yhdisteitä, joita voi vuotaa pohjaveteen ja joutua ravintoketjuun. Kun ostat uusia sähkölaitteita vanhojen tilalle, laitteen myyjä on velvollinen ottamaan vastaan vanhan sähkölaitteesi ilmaiseksi.

VIANETSINTÄ Bestway pyrkii toimittamaan markkinoiden virheettömmimpiä spa-altaita. Voit kaikissa ongelmatapauksissa ottaa yhteyttä Bestwayhin tai valtuutettuun jälleenmyyjääsi. Seuraavassa on ohjeita tavallisimpien ongelmien ratkaisemiseksi.

Ongelmat	Mahdolliset syyt	Ratkaisut
Pumppu ei toimi	<ul style="list-style-type: none"> - Sähkökatkos - Sähköpiireissa vikaa 	<ul style="list-style-type: none"> - Tarkista virtalähde. - Ota yhteyttä Bestwayn paikalliseen asiakaspalveluun lisäohjeiden saamiseksi
Pumppu ei lämmitä kunnolla.	<ul style="list-style-type: none"> - Lämpötila on asetettu liian alhaiseksi. - Suodatinpatruuna on likainen - Lämmönkatkaisu laukesi - Lämmityselementissä on virhe 	<ul style="list-style-type: none"> - Määritä lämmitysjärjestelmän lämpötilaksi korkeampi lämpötila (katso lisätietoja pumpun käyttöohjeista) - Puhdista suodatinpatruuna tai vaihda se uuteen (katso lisätietoja suodatinpatruunan puhdistus- ja vaihto-ohjeista) - Paina pumpun Reset-painiketta (katso pumpun käytöstä kertovaa lukua) - Ota yhteyttä Bestwayn paikalliseen asiakaspalveluun lisäohjeiden saamiseksi
Lay-Z-Massage-hierontajärjestelmä ei toimi.	<ul style="list-style-type: none"> - Ilmapumppu on ylikuumentunut - Lay-Z-Spa Massage pysähtyy automaattisesti. - Ilmapumppu on rikki. 	<ul style="list-style-type: none"> - Irrota pumpun pistoke ja odota kaksi tuntia, kunnes pumppu on jäähtynyt. Kytke pistoke ja paina Lay-Z-Massage-järjestelmän painiketta - Aktivoi uudelleen painamalla Lay-Z-Massage-järjestelmän painiketta. - Ota yhteyttä Bestwayn paikalliseen asiakaspalveluun lisäohjeiden saamiseksi
Pumpun sovitimet eivät ole samalla tasolla altaan sovitimien kanssa.	<ul style="list-style-type: none"> - Yksi PVC:n ominaisuuksista on se, että se muuttaa muotoaan, mikä on normaalia 	<ul style="list-style-type: none"> - Voit nostaa pumppua puulla tai muuntyyppisellä eristemateriaalilla tuodaksesi pumpun sovitimet altaan sovitinten kanssa samalle tasolle.
Spa-altaan vesivuoto	<ul style="list-style-type: none"> - Allas on revennyt tai siihen on tullut reikä - Ilmaventtiili on irti 	<ul style="list-style-type: none"> - Käytä mukana tullutta korjauspaikkaa. - Kastele ilmaventtiili saippuavedellä nähdäksesi, vuotaako siitä ilmaa. Jos venttiilistä vuotaa ilmaa, tiivistä se käyttämällä toimitukseen kuulunutta kiintoavainta seuraavien ohjeiden mukaisesti: 1. Tyhjennä ilma SPA-altaasta. 2. Pidä toisella kädellä ilmaventtiilin takaosasta kiinni spa:n sisäseinän sisäpuolelta käsin ja käännä kiintoavainta myötäpäivään.
Vesi ei ole puhdasta.	<ul style="list-style-type: none"> - Riittämätön suodatusaika - Suodatinpatruuna on likainen. - Vedenlaadun ylläpitotoimenpiteet ovat riittämättömät - Puhdistusjärjestelmä ei toimi. - Titaanilevyssä on jämiä - Puhdistusaika on riittämätön 	<ul style="list-style-type: none"> - Pidennä suodatusaika. - Puhdista/vaihda suodatinpatruuna, katso suodatinpatruunan puhdistuksesta ja vaihtamisesta kertovaa lukua. - Katso kemikaalivalmistajan ohjeet - Tarkista virransyöttö tai ota yhteyttä paikalliseen Bestwayn asiakaspalveluun lisäohjeiden saamiseksi. - Puhdista titaanilevy (katso lisäohjeita suola-kloorijärjestelmän huolto-osasta).
PRCD-testi päättyi virheeseen	Spa:ssa on havaittu virhe.	Ota yhteyttä Bestwayn paikalliseen asiakaspalveluun ja palauta SPA
HydroJet-järjestelmä ei toimi	<ul style="list-style-type: none"> - Vesipumppu on ylikuumentunut - Vesipumppu on rikki 	<ul style="list-style-type: none"> - Irrota pumpun pistoke ja odota kaksi tuntia, kunnes pumppu on jäähtynyt. Liitä virtajohto pistokkeeseen ja kokeile uudelleen - Ota yhteyttä Bestwayn paikalliseen asiakaspalveluun lisäohjeiden saamiseksi
Ohjauspaneeli ei toimi	<ul style="list-style-type: none"> - Ohjauspaneelissa on automaattinen lukko, joka aktivoituu 5 minuutin käyttämättömyyden jälkeen.  LED-näytössä on yksi kuvake:  Jos lukituskuvake on korostettu, ohjauspaneeli on lukossa. - Ohjauspaneelia ei ole aktivoitu 	<ul style="list-style-type: none"> - Poista ohjauspaneelin lukitus painamalla painiketta  3 sekunnin ajan Jos ohjauspaneelin lukitus ei poistu, käynnistä pumppu uudestaan – irrota ja kytke pumppu. - Paina virtapainiketta 2 sekunnin ajan. Jos ongelma ei poistu, ota yhteyttä paikalliseen Bestwayn asiakaspalveluun lisäohjeiden saamiseksi.
Minkälaisia kemikaaleja käytetään vedenhuoltoon?	Ota yhteyttä paikalliseen kemikaalien toimittajaasi saadaksesi tietoja kemikaalilylipidosta. Seuraa tarkasti kemikaalien valmistajan ohjeita.	
Vettä vuotaa sovitimista pumpun ja altaan väliltä.	Aseta kaksi sulkutulppaa altaan portteihin estämään vettä tulemasta ulos ja irrota pumppu. Tarkasta ja varmista, että tiivisteet ovat oikealla paikallaan pumpun sovitimien sisällä. Jos tiivisteet puuttuvat tai niitä ei ole asianmukaisesti asennettu, ota yhteyttä paikalliseen Bestwayn asiakaspalveluun saadaksesi ohjeita. Jos tiivisteet ovat oikealla paikallaan, kytke pumppu uudestaan altaaseen ja kiristä sovitimet käsin.	

Rajoitettu BESTWAY® valmistajan takuu

Ostamasi tuotteen mukana tulee rajoitettu takuu. Bestway® antaa tuotteille laatu- ja vaihtotakuun. Takaamme, että tuotteessa ei ole valmistusvirheitä. Tee takuuvaade täyttämällä tämä lomake ja toimittamalla ostokuitin kopio paikalliseen Bestwayn asiakaspalveluun. Ota yhteyttä Bestwayn paikalliseen asiakaspalveluun ennen asiakirjojen lähettämistä. Saat tarkat ohjeet, mitä tarvitaan vaateesi tekemiseksi. Bestway® ei korvaa tuotteita, joiden katsotaan vahingoittuneen laiminlyönnin seurauksena tai joita ei ole käytetty käyttöoppaan ohjeiden mukaisesti.

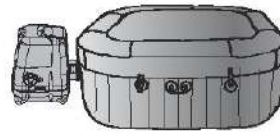
Bestwayn takuu kattaa valmistusvirheet, jotka havaitaan kun tuotetta puretaan pakkauksestaan, tai jotka huomataan käyttöoppaan mukaisen käytön aikana. Tämä takuu kattaa vain tuotteet joita ei ole muokattu ulkopuolisten toimesta. Tuote pitää varastoida ja sitä pitää käsitellä teknisten suositusten mukaisesti.

Takuu ei kata vaurioita, jotka ovat aiheutuneet virheellisestä käytöstä, väärinkäytöstä tai laiminlyönnistä mukaan lukien mutta näihin rajoittumatta seuraavat: törmäys, tulipalo, virheellisen jännitteen käyttö, liiallinen lämpöaltistus, virheellinen asennus, virheellinen johdotus tai testaus, virheellinen säilytys.

Tuotteiden vaihdot ja korjaukset eivät pidennä takuu-aikaa. Takuu-aika alkaa alkuperäisen kuitin/ostolaskun sisältämästä myyntipäivästä.



Palm Springs



Hawaii

VASTAANOTTAJA: Bestway® Service Department

Ostopäivä: _____

PÄIVÄMÄÄRÄ: _____

Asiakaskoodin numero: _____

FAKSI/SPOSTI/PUH: Katso oman maasi tiedot takakannesta tai sivustoltamme löytyvien tietojen mukaisesti: <http://www.bestwaycorp.com>

Anna täydelliset osoitetietosi. **Huomaa:** Epätäydelliset osoitetiedot viivästyttävät lähetyksiä.

Bestway varaa oikeuden veloittaa toimittamattomien pakettien uudelleentoimituksesta, jos vika on vastaanottajan.

TARVITTAVA TIETO - KIRJOITA TOIMITUSOSOITE

Nimi: _____ Osoite: _____

Postinumero: _____ Jälleenmyyjä: _____

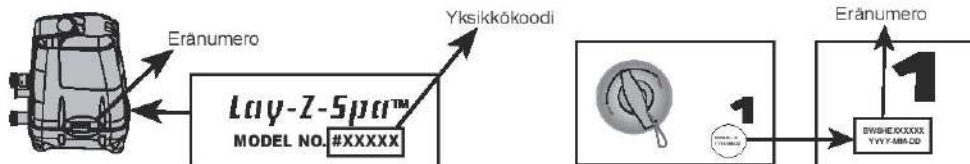
Maa: _____ Kaupunki: _____

Matkapuhelin: _____ Puhelin: _____

Faksi: _____ Sähköposti: _____

SPA-PUMPUN eränumero: _____ SPA-altaan eränumero: _____

SPA-PUMPUN yksikkökoodi: _____



Kaikki kuvat ovat vain havainnollistamistarkoituksessa. Eivät ole mittakaavassa.

Ongelman kuvaus

- Allas vuotaa
- Ohjauspaneeli näyttää virhettä, jota ei voi korjata
- Pumppu vuotaa
- Muu, mikä
- Veden suodatinjärjestelmä ei toimi
- Sovitin vuotaa
- Lämmitysyksikkö ei toimi
- Lay-Z-hierontajärjestelmä ei toimi
- Puuttuva osa – Käytä puuttuvan osan koodia, joka löytyy käyttöohjeesta.

TÄRKEÄÄ: VAIN VAURIOITUNUT OSA KORVATAAN, EI KOKO TUOTETTA.

Bestway varaa oikeuden pyytää valokuvatodisteita viallisista osista tai pyytää tuotteen lähettämistä lisätestejä varten. Voidaksemme auttaa sinua parhaalla mahdollisella tavalla edellyttämme, että täytät kaikki tiedot.

INTERNET-SIVUSTOSTA www.bestwaycorp.com LÖYTYY USEIN KYSYTYJÄ KYSYMYKSIÄ JA NIIDEN VASTUUKSIA, KÄYTTÖOPPAITA, VIDEOITA JA TIETOJA VARAOSISTA.
VIDEOITA ON MYÖS NÄHTÄVISSÄ BESTWAY-KANAVALLAMME YOUTUBESSA: www.youtube.com/user/BestwayService

Bestway

INHOUD

1. Veiligheidsvoorschriften	P68
2. Specificaties	P71
3. Montage	P73
4. Werking	P75
5. Onderhoud	P77
6. Probleemoplossing	P79
7. Garantie	P80



VEILIGHEIDSVOORSCHRIFTEN

Bij het installeren en gebruik van deze elektrische apparatuur moeten altijd basis veiligheidsmaatregelen gevolgd worden, ondermeer de volgende:
BELANGRIJKE VEILIGHEIDSINSTRUCTIES. LEES EN VOLG ALLE INSTRUCTIES.

WAARSCHUWING:

- De spa moet gevoed worden door een scheidingstransformator of via een aardlekschakelaar (RCD) met een aardlekstroom van maximaal 30mA.
- De pomp moet voor elk gebruik getest worden. Om te testen, volg de instructies in het deel "Pomptest" van deze handleiding.
- Als de stroomkabel beschadigd is, moet deze door de fabrikant, zijn serviceverstreker of gelijkaardig gekwalificeerde personen worden vervangen om gevaar te vermijden.
- Om het risico op een elektrische schok te reduceren, gebruik geen verlengsnoer om het toestel aan te sluiten en zorg voor een goed bereikbaar stopcontact.
- Geen onderdeel van het toestel mag zich tijdens het gebruik boven het bad bevinden.
- Delen met onderdelen onder stroom, uitgezonderd delen geleverd met een veilige extra lage spanning van niet meer dan 12V, moeten ontoegankelijk zijn voor een persoon in het spa zwembad. Delen met elektrische componenten, uitgenomen afstandsbedieningen, moeten zich bevinden of zodanig bevestigd zijn dat ze niet in het spa zwembad kunnen vallen.
- De plug van de pomp moet meer dan 3,5 m verwijderd zijn van de spa.
- Het is nodig om toegang te kunnen hebben tot de plug na de installatie van de spa.

LET OP: Ten einde een gevaar te vermijden dat te wijten is aan een onopzettelijk opnieuw instellen van de thermische beveiliging, mag dit apparaat niet gevoed worden door een extern schakelapparaat zoals een timer of aangesloten zijn op een circuit dat regelmatig aan- en uitgeschakeld wordt door het hulpmiddel. Nadat uw spa 3-5 jaar werd gebruikt, moet u contact opnemen met een plaatselijke gekwalificeerde onderhoudstechniker om de veiligheid en prestaties van de spa te verzekeren. De hoofdonderdelen zoals verwarmingselement, luchtuitblaasmotor en terugslagklep in de elektrische unit moeten gecontroleerd en (indien nodig) vervangen worden door een vakman.

Waarschuwing: De stekker altijd droog houden, een natte stekker inpluggen is ten sterkste verboden!
De spa moet gevoed worden door een geaarde stroombron.

- **OM ELEKTRISCHE SCHOK TE VERMIJDEN, GEBRUIK DE SPA NIET WANNEER HET REGENT.**
- Draag nooit contactlenzen wanneer u in uw spa bent.
- Gebruik de spa niet tijdens chemisch onderhoud.
- De stroombron op de wand van het gebouw moet zich op een afstand van meer dan 4 m van het zwembad bevinden en op een hoogte van minstens 1,2 m.
- Er mogen geen verlengsnoeren gebruikt worden.
- Het apparaat niet aansluiten of loskoppelen met natte handen
- Het apparaat altijd van het stopcontact loskoppelen:
 - op regenachtige dagen
 - vóór reiniging of ander onderhoud
 - indien onbeheerd gelaten op vakantie
- Reiniging en gebruikersonderhoud moeten worden uitgevoerd door een volwassene ouder dan 18 jaar en die bekend is met het risico op elektrische schok;
- Wanneer het apparaat gedurende lange tijd niet gebruikt zal worden, zoals in de winter, moet de spa of zwembadset gedemonteerd en binnenshuis opgeborgen worden.
- **Let op:** Lees de instructies vóór het gebruik van het toestel en vóór de installatie of het telkens opnieuw

monteren.

- Bewaar de instructies op een veilige plek. Als de instructie ontbreekt, neem contact op met de fabrikant of download een kopie van www.bestwaycorp.com
- **Waarschuwing: Veiligheidshalve is een PRCD ingebouwd in het netsnoer. Als een stroomlek van meer dan 10mA gedetecteerd wordt, wordt de stroomtoevoer afgesneden. In zulk geval, haal de stekker uit het stopcontact en stop onmiddellijk met het gebruik van het product. Reset het product niet zelf. U moet de plaatselijke serviceverstreker contacteren om het product te controleren en te repareren.**
- Dit apparaat is niet bedoeld voor gebruik door personen (inbegrepen kinderen) met beperkte fysieke, sensorische of geestelijke capaciteiten of een gebrek aan ervaring en kennis tenzij ze toezicht of instructie krijgen betreffende het gebruik van het apparaat door een persoon die verantwoordelijk is voor hun veiligheid. Kinderen moeten in de gaten gehouden worden, zodat ze niet met het apparaat kunnen spelen. (Voor andere markt dan EU)
- Dit apparaat kan worden gebruikt door kinderen vanaf 8 jaar en ouder en door personen met beperkte fysieke, sensorische of geestelijke capaciteiten of een gebrek aan ervaring en kennis als ze toezicht of instructie krijgen betreffende het gebruik van het apparaat op een veilige manier en de betrokken gevaren begrijpen. Kinderen mogen niet met het apparaat spelen. Kinderen kunnen het apparaat niet reinigen en onderhouden zonder toezicht. (Voor EU-markt)
- Water trekt kinderen aan, bevestig altijd een afdekking boven de spa na elk gebruik.
- De kabel niet in de grond leggen. Plaats de kabel zodanig dat die zo min mogelijk hinder kan geven voor grasmaaiers, heggen scharen en andere apparatuur.
- Risico op accidentele verdrinking. Men moet de ongeoorloofde toegang door kinderen voorkomen. Om ongevallen te vermijden, zorg ervoor dat kinderen de spa niet kunnen gebruiken tenzij ze te allen tijden onder toezicht van een volwassene zijn.
- **RISICO OP LETSEL.** Gebruik de spa nooit als de invoer/uitvoerleidingen kapot zijn of ontbreken. Nooit om de invoer/uitvoerleidingen te vervangen. Raadpleeg altijd uw plaatselijke dienst Naverkoop.
- **RISICO OP ELEKTRISCHE SCHOK.** Installeer op minstens 2 m van alle metalen oppervlakken.
- **RISICO OP ELEKTRISCHE SCHOK.** Bedien nooit een elektrisch apparaat wanneer u in uw spa bent of wanneer uw lichaam nat is. Plaats nooit een elektrisch apparaat zoals lamp, telefoon, radio of televisie binnen een afstand van 2 meter van de spa.
- Tijdens de zwangerschap kan het liggen weken in warm water schade aan de foetus veroorzaken. Beperk het gebruik tot 10 minuten per keer.
- **OM RISICO OP LETSEL TE REDUCEREN:**
 - A. Het water in een spa mag nooit meer dan 40°C (104°F) zijn. Een watertemperatuur tussen 38°C (100°F) en 40°C (104°F) wordt als veilig beschouwd voor een gezonde volwassene. Lagere watertemperaturen worden aanbevolen voor jonge kinderen en wanneer de spa langer dan 10 minuten wordt gebruikt.
 - B. Gezien buitensporige watertemperaturen veel kans met zich brengen op schade aan de foetus tijdens de eerste maanden van een zwangerschap, moeten zwangere of mogelijk zwangere vrouwen de watertemperatuur in de spa beperken tot 38°C (100°F).
 - C. Vooraleer een spa te betreden, zou de gebruiker de watertemperatuur moeten meten met een nauwkeurige thermometer gezien de tolerantie van het apparaat dat de temperatuur regelt, schommelt.
 - D. Het gebruik van alcohol, drugs of medicatie voor of tijdens het gebruik van een spa kan leiden tot bewusteloosheid met de mogelijkheid van verdrinking.
 - E. Zwaarlijvige personen en personen met een voorgeschiedenis van hartziekte, lage of hoge bloeddruk, problemen van het hart- of vaatstelsel of diabetes moeten een arts raadplegen vooraleer ze een spa gebruiken.
 - F. Personen die medicatie gebruiken moeten een arts raadplegen vooraleer ze een spa gebruiken gezien sommige medicatie duizeligheid kan veroorzaken terwijl andere medicatie een invloed kan hebben op de hartslag, bloeddruk en circulatie.
- **OM RISICO OP LETSEL TE REDUCEREN:** Giet nooit water met een temperatuur van meer dan 40°C (104°F) rechtstreeks in het spa zwembad.
- Het gebruik van alcohol, drugs of medicatie kan het risico op fatale oververhitting sterk vergroten. Oververhitting treedt op wanneer de interne temperatuur van het lichaam een niveau bereikt dat verschillende graden boven de normale lichaamstemperatuur van 37°C (98,6°F) ligt. De symptomen van oververhitting zijn ondermeer een stijging van de interne temperatuur van het lichaam, duizeligheid, lethargie, duizeligheid en flauwvallen. De effecten van oververhitting omvatten het onvermogen om hitte waar te nemen, het onvermogen om de noodzaak te herkennen om uit de spa of jacuzzi te stappen, de onwetendheid van een dreigend gevaar, beschadiging aan de foetus bij zwangere vrouwen, het fysiek onvermogen om uit de spa of jacuzzi te stappen en bewusteloosheid die resulteert in het gevaar op verdrinking.
- Elektrische installaties moeten de nationale bedradingsregelgevingen volgen, raadpleeg een gekwalificeerde elektricien als u vragen hebt.

RAADPLEEG UW ARTS VOOR AANBEVELINGEN.

LET OP:

- De spa moet niet geïnstalleerd worden of blijven in een temperatuur die lager is dan 4°C (40°F).
- Gebruik de spa niet alleen.
- Mensen met besmettelijke ziekten mogen de spa niet gebruiken.
- Gebruik de spa niet onmiddellijk na zware inspanningen.
- Ga altijd traag en voorzichtig in en uit de spa. Natte oppervlakken zijn glad.
- Om schade aan de pomp te vermijden, mag de spa nooit gebruikt worden tenzij deze gevuld is met water.
- Ga onmiddellijk uit de spa als de gebruiker zich onaangenaam of slaperig voelt.
- Voeg nooit water toe aan chemicaliën. Voeg altijd chemicaliën toe aan water om sterke dampen of hevige reacties te vermijden die kunnen resulteren in gevaarlijke chemische verstuivingen.
- Raadpleeg het deel "ONDERHOUD" voor informatie betreffende reiniging, onderhoud van water en afvoer van water.
- Raadpleeg de onderstaande paragraaf van de handleiding voor informatie over de installatie.

OPMERKING:

- Onderzoek de apparatuur vóór gebruik. Breng Bestway via het Klantenservice-adres vermeld in deze handleiding op de hoogte als er onderdelen beschadigd zijn of ontbreken bij aankoop. Controleer dat de apparatuuronderdelen de modellen vertegenwoordigen die u wenste te kopen.
- Dit product is niet bedoeld voor commercieel gebruik.

WAARSCHUWING VOOR ELEKTRISCHE LUCHTPOMP (Voor Palm Springs HydroJet):

De elektrische luchtpomp is geen onderdeel van de spa. U moet veiligheidshalve de gebruikershandleiding van de elektrische luchtpomp raadplegen.

Een verlengsnoer gebruikt voor de luchtpomp bij het opblazen van het zwembad mag niet worden gebruikt voor de spa.

Na het opblazen van het zwembad, moeten de luchtpomp en het verlengsnoer van het stopcontact worden losgekoppeld en binnenshuis worden opgeborgen.

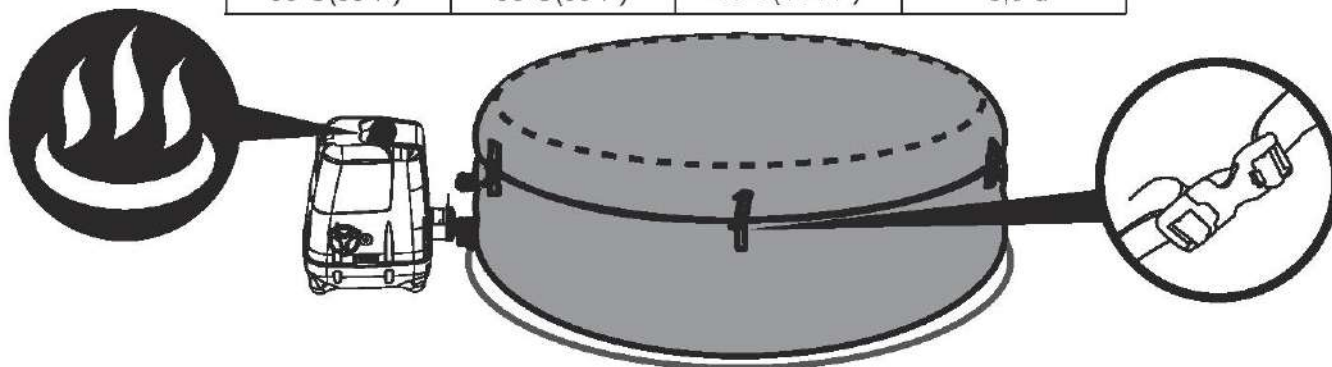
De motor mag niet langer dan 20 minuten draaien.

LET OP: OM HET RISICO OP ELEKTRISCHE SCHOK TE VERMIJDEN, NIET BLOOTSTELLEN AAN WATER OF REGEN. ENKEL VOOR HUISHOUELIJK GEBRUIK.

BEWAAR DEZE INSTRUCTIES BELANGRIJK!

Om 40°C (104°F) te bereiken, is de verwarmingsduur gebaseerd op de startwatertemperatuur en de omgevingstemperatuur, de onderstaande gegevens zijn zuiver als referentie. Om de huidige watertemperatuur weer te geven, laat het filtersysteem gedurende minstens een minuut werken

Omgevingstemperatuur	Watertemperatuur	Ingestelde temperatuur	Verwarmingsduur
10°C(50°F)	10°C(50°F)	40°C(104°F)	18,5 u
15°C(59°F)	15°C(59°F)	40°C(104°F)	15 u
20°C(68°F)	20°C(68°F)	40°C(104°F)	11,5 u
25°C(77°F)	25°C(77°F)	40°C(104°F)	8,5 u
30°C(86°F)	30°C(86°F)	40°C(104°F)	5,5 u



Vergeet de SPA niet af te dekken met de SPA-afdekking wanneer de verwarmingsfunctie geactiveerd is.

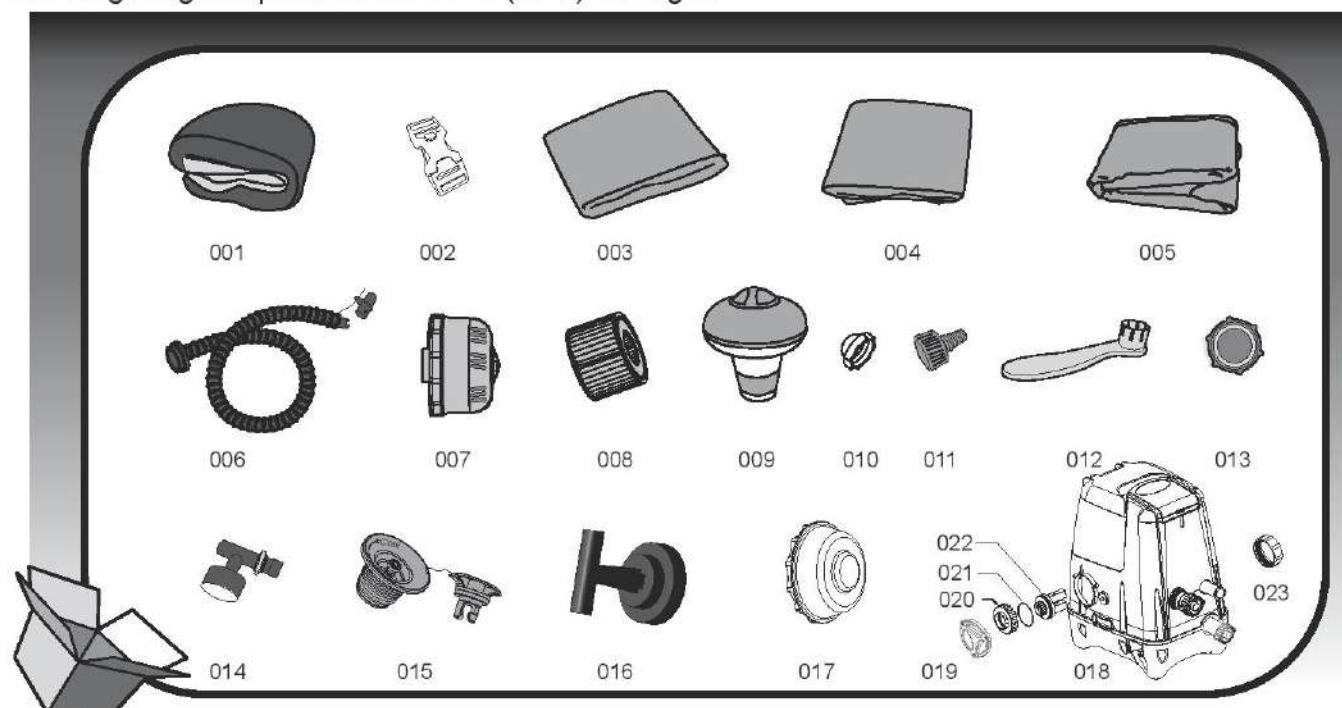
Als de SPA niet afgedekt wordt, zal de verwarmingstijd stijgen.

Gebruik de SPA niet wanneer de omgevingstemperatuur lager is dan 4°C (39°C).

SPECIFICATIES VOOR LAY-Z-SPA™ HAWAII HYDROJET PRO (#54138)

Capaciteit:	4-6 volwassenen	Masserende Turbo Blower:	800 W	Sproeipomp:	1200 W
Watercapaciteit:	795 L (210 gal.)	Verwarmingselement:	2000W bij 20°C	Werkelijke waterstroom:	1,325 L/u (350 gal/u)
Opgeblazen grootte:	1,80 m x 1,80 m x 71 cm (71" x 71" x 28")	Pomp:	50W Circulatie Filterpomp	Vermogen:	220-240V AC, 2,060 W bij 20°C
Gevuld gewicht:	867 kg (1,911 Lb.)	Temperatuurcapaciteiten:	40°C (104°F)	Werkdruk:	1,2PSI (0,08bar)
Verhoogde hartslag:	Ongeveer 1,5-2°C/u (3-4°F/u)	Sproeistukken:	8 Stuks	Zoutwatersysteem:	20 W

OPMERKING: Het hogervermelde verwarmingsvermogen is gebaseerd op een labotest uitgevoerd met een omgevingstemperatuur van 25°C (77°F) en hoger.

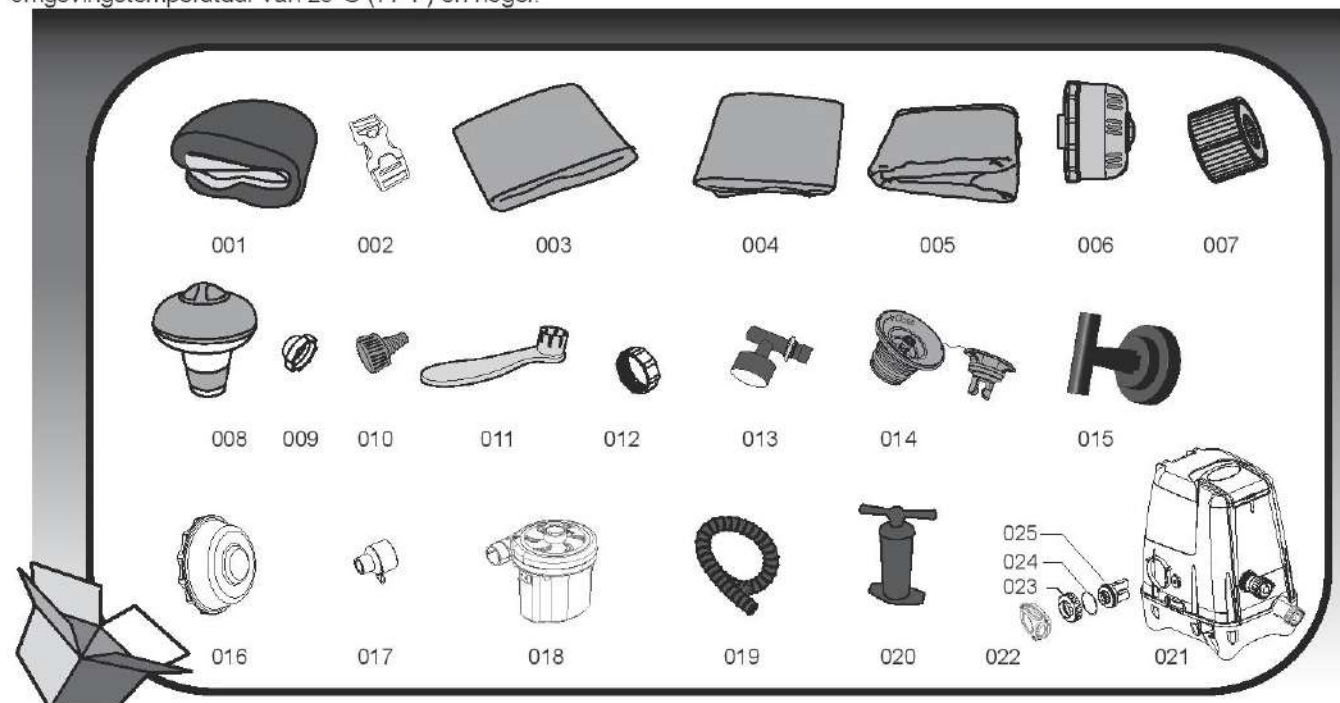


Onderdeelnr.	Onderdeelcode	Beschrijving	HOEV
001	54138TASS17	Zwembadbekleding	1
002	F6414ASS16	Gesp	8
003	P5511GASS17	Leatheroid-afdekking	1
004	54138GASS17	Opblaasbare afdekking	1
005	58371(H)S16	Vloermat	1
006	P6930	Opblaasslang	1
007	P6653	Filterset	1
008	58323	Filtercassette	2
009	58426S17	Chemische floater	1
010	P6575	Stop (Voor filteruitgang)	1
011	P6H565	Slangadapter	1
012	F6H189	Sleutel (voor luchtklep)	1
013	P6611	Afdekking adapter A	1
014	P61199	Manometer	1
015	P6H971	Opblaasklep	1
016	P61385	Sleutel (voor het zoutchlorinatorstelsel)	1
017	P61290	Stop (voor ingang waterstraal)	1
018	P4H125ASS17	Spa Pomp	1
019	P61334	Dop	1
020	P61386	Elektrolytische cel moer	1
021	P61388	Elektrolytische cel O-RING	1
022	P61387	Elektrolytische cel	1
023	P61587	Spa zwembadstop	2

SPECIFICATIES VOOR LAY-Z-SPA™ PALM SPRINGS HYDROJET (#54144)

Capaciteit:	4-6 volwassenen	Zoutwatersysteem:	20 W	Sproeipomp:	1200 W
Watercapaciteit	795 L (210 gal.)	Verwarmingselement:	2000 W bij 20°C	Werkelijke waterstroom:	1,325 L/u (350 gal/u)
Opgeblazen grootte:	1,96m x 71cm (77" x 28")	Pomp:	50 W Circulatie-filterpomp	Vermogen:	220-240 V AC, 2060 W bij 20°C
Gevuld gewicht:	864 kg (1.905 Lb.)	Temperatuurcapaciteiten:	40°C (104°F)	Werkdruk:	1,2PSI (0,08bar)
Verhoogde hartslag:	Ongeveer 1,5-2°C/u (3-4°F/u)	Sproeistukken:	8 Stuks	AC Luchtpomp	110 W

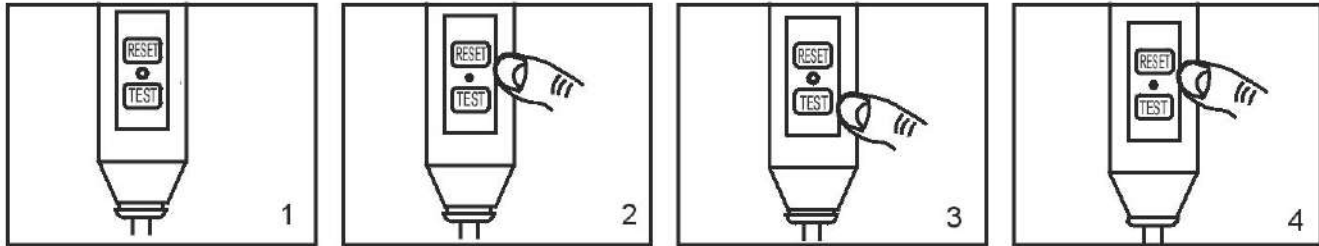
OPMERKING: Het hogervermelde verwarmingsvermogen is gebaseerd op een labotest uitgevoerd met een omgevingstemperatuur van 25°C (77°F) en hoger.



Onderdeelnr.	Onderdeelcode	Beschrijving	HOEV
001	54144TASS17	Zwembadbekleding	1
002	F6414ASS16	Gesp	6
003	P5532GASS17	Leatheroid-afdekking	1
004	54144GASS17	Opblaasbare afdekking	1
005	58321(H)S15	Vloermat	1
006	P6653	Filterset	1
007	58323	Filtercassette (VI)	2
008	58426S17	Chemische floater	1
009	P6575	Stoppen	1
010	P6H565	Slangadapter	1
011	F6H189	Sleutel (voor luchtklep)	1
012	P61587	Spa zwembadstop	2
013	P61199	Manometer	1
014	P6H971	Opblaasklep	1
015	P61385	Sleutel (voor het zoutchlorinatorstelsel)	1
016	P61290	Stop (voor ingang waterstraal)	1
017	P61330	AC Luchtpomp Slangadapter	1
018	P61329	AC Luchtpomp	1
019	P61327	Opblaasslang	1
020	P61326	Handpomp	1
021	P4H127ASS17	Spa Pomp	1
022	P61334	Dop	1
023	P61386	Elektrolytische cel moer	1
024	P61388	Elektrolytische cel O-RING	1
025	P61387	Elektrolytische cel	1

Pomptest

PRCD-test



OPMERKING: Tekeningen enkel voor illustratiedoeleinden. Mogelijk geen weerspiegeling van het werkelijke product. Niet op schaal.

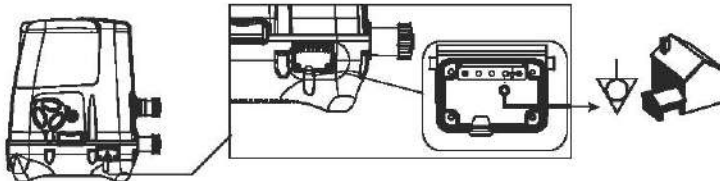
1. Steek de stekker in.
2. Druk op de knop "RESET", het indicatielampje gaat aan.
3. Druk op de knop "TEST", het indicatielampje gaat uit.
4. Druk op de knop "RESET", het indicatielampje gaat aan.
5. Druk gedurende 2 seconden op de ON/OFF-knop, uw pomp is klaar voor gebruik.



WAARSCHUWING: De PRCD-plug moet vóór elk gebruik getest worden om het risico op elektrische schok te vermijden.

WAARSCHUWING: Voor u de stekker in het stopcontact steekt, zorg ervoor dat het vermogen van het stopcontact geschikt is voor de pomp.

WAARSCHUWING: Gebruik de pomp niet als deze test faalt en neem contact op met onze dienst Naverkoop.



POTENTIALVEREFFENINGSAANSLUITING VAN DE SPA POMP

Het is aanbevolen om te zorgen voor een gekwalificeerde elektricien om de SPA pomp aan te sluiten op een aardaansluiting middels een massief koperen geleider van (minimum) 2,5 mm².

MONTAGE

WAARSCHUWING: De geselecteerde locatie moet de verwachte lading kunnen dragen.

WAARSCHUWING: Er moet een adequaat afvoersysteem voorzien worden om overstromend water voor zowel installaties binnenshuis als buitenshuis te kunnen afvoeren.

OPMERKING: Alleen de Hydro-Jet Pro spa heeft de Lay-Z-Massagesysteem-knop. Bij het opblazen zult u merken dat lucht wordt verdreven uit het gebied waar de luchtslang aangesloten is op de pomp, dit is normaal en voorkomt schade omwille van te hard opblazen.

OPMERKING: Geen luchtcompressor gebruiken om het zwembad op te blazen.

OPMERKING: Trek het zwembad niet over ruwe grond, dit kan de zwembadbekleding beschadigen.

OPMERKING: De opblaastijd dient enkel ter referentie.

OPMERKING: De manometer dient enkel voor opblaasdoeleinden en de waarde op de manometer dient enkel ter referentie. Het mag niet worden gebruikt als een precisietoestel.




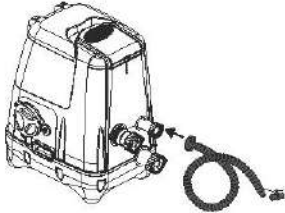
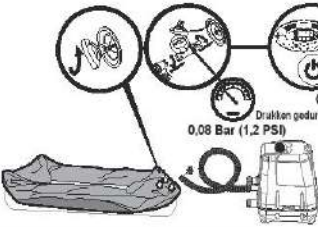

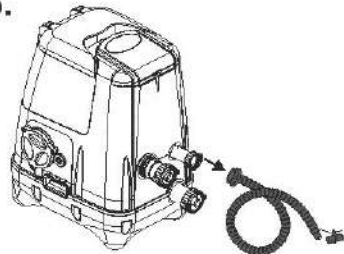

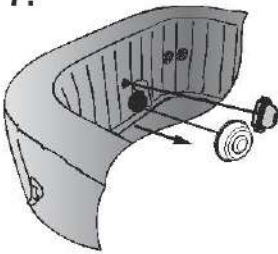
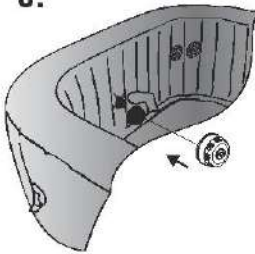
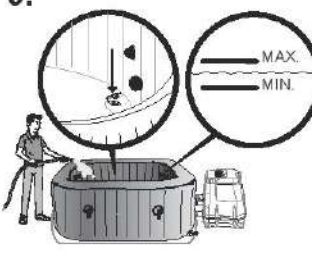

Luchtkeple controle

Controleer altijd zorgvuldig de luchtkeple vóór het opblazen en zorg ervoor dat er geen luchtlek is. Als de luchtkeple los is, gebruik de bijgeleverde moersleutel om de keple steviger dicht te zetten via volgende stappen: Met één hand, houd de achterkant van de luchtkeple van de binnenkant van de spa-wand en draai de sleutel in wijzerzin.

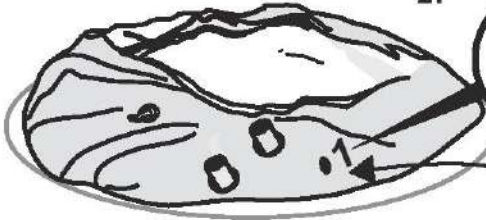
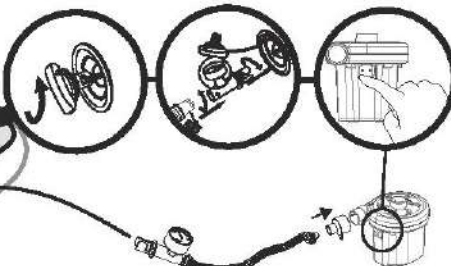

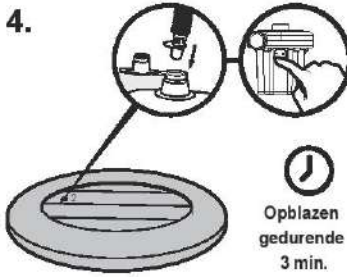
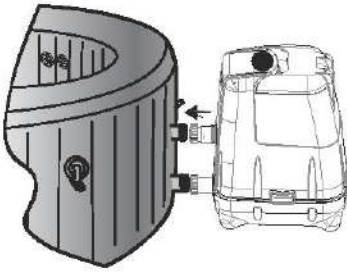
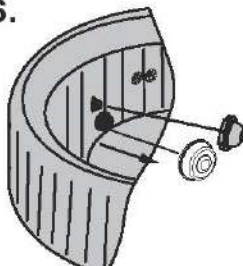
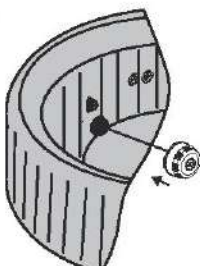
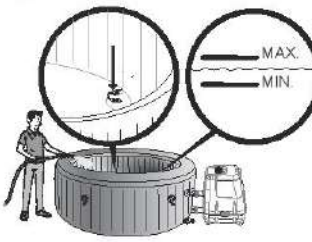

OPMERKING:

1. Niet te stevig aandraaien.
2. Stel de luchtkeple niet af wanneer de spa in gebruik is.

MONTAGE VOOR HAWAII HYDROJET PRO (#54138)

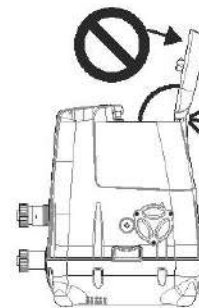
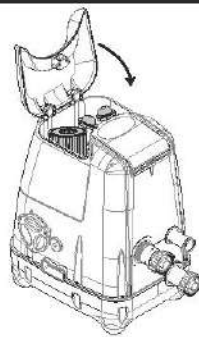
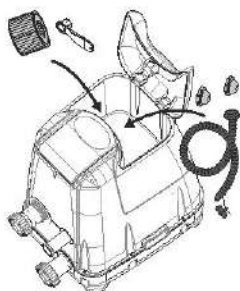
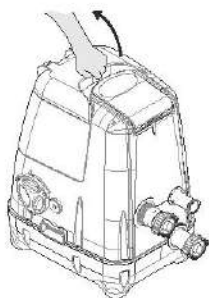
<p>1.</p> 	<p>2.</p> 	<p>3.</p>  <p>3 seconden om te ontgrendelen</p> <p>Opblazen gedurende 5 min.</p> <p>Drukken gedurende 2 seconden.</p> <p>0,08 Bar (1,2 PSI)</p> <p>Om het opblazen te stoppen.</p>	
<p>4.</p>  <p>Opblazen gedurende 2 min.</p>	<p>5.</p> 	<p>6.</p> 	
<p>7.</p> 	<p>8.</p> 	<p>9.</p> 	<p>10.</p> 

MONTAGE VOOR PALM SPRINGS HYDROJET (#54144)

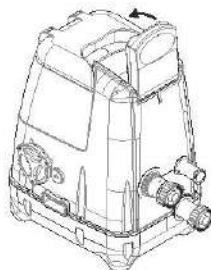
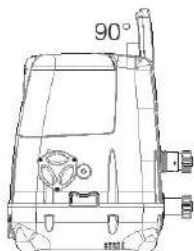
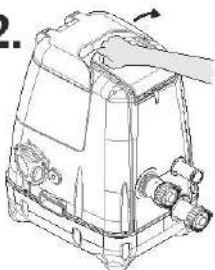
<p>1.</p> 	<p>2.</p>  <p>Pre-Opblazen gedurende 7 min.</p> <p>Opmerking: De motor mag niet langer dan 20 minuten draaien.</p>		
<p>3.</p> <p>Blijf het spa zwembad opblazen met de handpomp</p> <p>0,08 Bar (1,2 PSI)</p> 	<p>4.</p>  <p>Opblazen gedurende 3 min.</p>	<p>5.</p> 	
<p>6.</p> 	<p>7.</p> 	<p>8.</p> 	<p>9.</p> 

WERKING

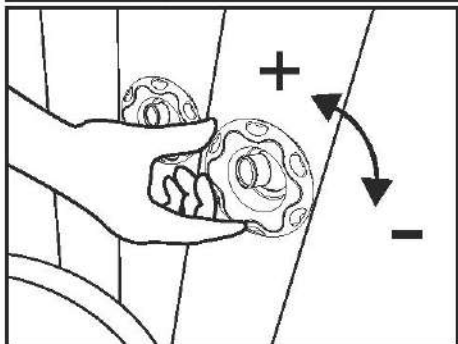
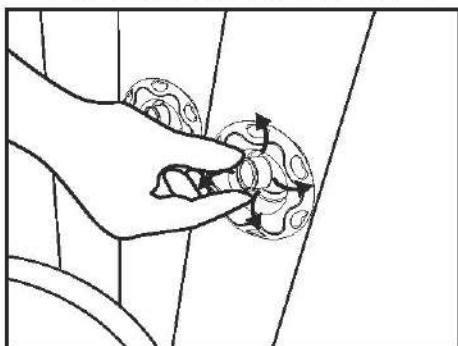
1.



2.

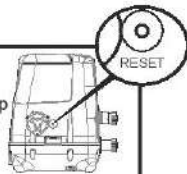


3. Instellen van sproeistukken



5. Verwarmingsreset

Wanneer u de Lay-Z-Spa voor de eerste keer gebruikt, of na een lange periode van inactiviteit, zorg ervoor dat u op de resetknop op de pomp drukt met behulp van een klein en dun object.



RESET-KNOP

BELANGRIJKE INSTRUCTIES VOOR GEBRUIK

Als de temperatuur op het bedieningspaneel (of de watertemperatuur) niet gewijzigd is 4-5 uur na de activering van het verwarmingssysteem, gebruik dan een dun object om de RESET-KNOP in te drukken en het verwarmingssysteem opnieuw te starten.

BELANGRIJK: Het verwarmingssysteem zal niet werken als de buitentemperatuur hoger is dan 40°C (104 °F) of als de Lay-Z-Spa onder direct zonlicht is. Wacht onder deze omstandigheden tot een koeler moment van de dag voor u de RESET-KNOP indrukt met een dun object en het verwarmingssysteem herstart. Deze bewerking moet herhaald worden, telkens wanneer de pomp in de bovenstaande condities is.

4. Instructie van het zoutchlorinatorsysteem.

OPMERKING: Om het zoutchlorinatorsysteem te gebruiken, voeg zout toe aan het water en volg ondergaande stappen.

- (1). Schakel het HydroJet-systeem in om de watercirculatie te starten.
- (2). Laat het zoutchlorinatorsysteem uitgeschakeld staan.
- (3). Voeg geleidelijk 4,4 lbs / 2 kg zout toe aan het SPA zwembad, gebruik alleen natriumchloride (NaCl) zout dat minstens 99,9% zuiver is of waterverzachende zoutbolletjes (de gecomprimeerde vormen van verdampt zout - het duurt langer voor deze oplossen). Laat het HydroJet-systeem 5 minuten werken.
- (4). Wanneer al het zout opgelost is, schakel het zoutchlorinatorsysteem in en stel de werkduur in (raadpleeg de instructie van de zoutchlorinatorsysteem-knop).

OPMERKING: Bevestig de spa-afdekking tijdens het zoutchlorinatorproces.

E11 Voeg zout toe als het zoutniveau te laag is. Indien onvoldoende zout werd toegevoegd, geeft het panel een foutcode "E11" weer.

- (1). Koppel de spa los en sluit deze terug aan en druk vervolgens op "Reset".
- (2). Schakel het HydroJet-systeem in.
- (3). Voeg geleidelijk 1,1 lbs/0,5 kg zout toe.
- (4). Start het zoutchlorinatorsysteem.
- (5). Als de foutcode "E11" behouden blijft, volg de bovenstaande stappen tot de foutcode "E11" verdwijnt.

E10 Verwijder zout als het zoutniveau te hoog is. Indien teveel zout werd toegevoegd, geeft het panel een foutcode "E10" weer.

- (1). Haal de stekker van de spa uit het stopcontact.
- (2). Laat ongeveer 20% van het water weglopen en vul opnieuw water bij.
- (3). Start het zoutchlorinatorsysteem.
- (4). Als de foutcode "E10" behouden blijft, volg de bovenstaande stappen tot de foutcode "E10" verdwijnt.

(75)

- A Vergrendel/Ontgrendelknop**
De pomp heeft een 5 minuten automatische vergrendelingsfunctie. Het LED-licht zal dimmen wanneer de pomp vergrendeld is (geen functie is geactiveerd). Om de pomp te vergrendelen of te ontgrendelen, plaats gedurende 3 seconden een vinger over de vergrendel/ontgrendelknop.
- B Lay-Z-Massagesysteem-knop (Voor Hydro-Jet Pro)**
Gebruik deze knop voor het activeren van het massagesysteem dat een 30 minuten automatische uitschakelfunctie heeft. Het lampje boven de Lay-Z-Massagesysteem-knop is rood wanneer geactiveerd.
- BELANGRIJK:** Zet het Lay-Z-Massagesysteem niet in werking wanneer de afdekking bevestigd is. Lucht kan stoomruleren binnenin de spa en kan onherstelbare schade aan de afdekking en lichamelijke schade veroorzaken.
OPMERKING: Het verwarmings- en massagesysteem werken samen om een warme massage-ervaring te creëren.

- C HydroJet-systeemknop**
Deze knop zet de waterpomp aan en uit. Het lampje boven de HydroJet-systeemknop is rood wanneer geactiveerd.
OPMERKING: Het systeem zal automatisch afsluiten na 1 uur.
OPMERKING: Laat het HydroJet-systeem niet droog werken.

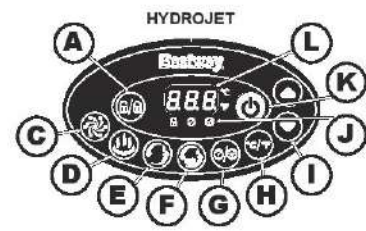
- D Verwarmingsknop**
Gebruik deze knop om het verwarmingsstelsel te activeren. Wanneer het lampje boven de verwarmingsknop rood is, is het verwarmingsstelsel geactiveerd. Wanneer het lampje groen is, is het water op de ingestelde temperatuur en is het verwarmingsstelsel in rusttoestand.
OPMERKING: Als het verwarmingsstelsel geactiveerd is, zal het filtratiesysteem automatisch starten.
OPMERKING: Nadat het verwarmingsstelsel uitgeschakeld is, zal het filtratiesysteem blijven werken.

- E Waterfilterknop**
Deze knop zet de filterpomp aan en uit. Het lampje boven de waterfilterknop is rood wanneer geactiveerd.
OPMERKING: De ingebouwde functie hard waterbehandeling werkt automatisch.
OPMERKING: Zet het automatische systeem niet droog.

- F Zoutchlorinatorteststelsel-knop**
Gebruik deze knop om het zoutchlorinatorteststelsel in te schakelen en de werkdruk in te stellen. U kunt de werkdruk instellen van 3 uur tot 8 uur door op de knop voor het zoutchlorinatorteststelsel te drukken. Na het instellen van de werkdruk zal het zoutchlorinatorteststelsel automatisch beginnen te werken.
OPMERKING: Druk niet op andere knoppen op het paneel en bevestig de SPA-afdekking tijdens het chloreerproces. U kunt de werkdruk opnieuw aanpassen door te duwen op de knop voor het zoutchlorinatorteststelsel.
OPMERKING: Test het water regelmatig en zorg ervoor dat het vrij chloorniveau tussen 2-4 ppm is.

- G INSTRUCTIES VOOR Stroombesparende timerknop**
Dit is een nieuw toegevoegde functie, ontworpen om stroomverspilling te helpen vermijden door de tijd en duur van de verwarmingscyclus voor de spa in te stellen. Op deze manier kunt u genieten van uw spa op het moment dat u wenst, zonder dat u de verwarming van de hele tijd aan moeten laten staan.

- STAP 1: De verwarmingsduur instellen**
1. Druk op de knop en de LED begint te knipperen.
2. Druk op de knop of om de verwarmingsduur in te stellen (Van 1-48 uur).
3. Druk opnieuw op de knop om de verwarmingsduur te bevestigen.
STAP 2: Het aantal uren VANAF NU instellen wanneer de verwarming zal activeren
1. Na het instellen van de verwarmingsduur, begint de LED te knipperen.
2. Druk op de knop of om het aantal uur tot de tijd van de activering in te stellen (Van 0-99 uur).
3. Druk opnieuw op de knop of raak eenvoudig gedurende 10 seconden niets aan om de instelling te bevestigen. De LED ingeschakeld en het aftellen naar de activering van de verwarming begint.
Om de timerinstellingen te wijzigen: Druk op de knop en gebruik de knop of om in te stellen.
Om de instelling te annuleren: Druk gedurende 2 seconden op de knop .



OPMERKING: Na het instellen, geeft het scherm afwisselend de huidige temperatuur en de tijd weer.
OPMERKING: De timerinstelling (het aantal uur dat de verwarming AAN staat) kan worden ingesteld van 1 tot 48 uur. De instelling van de reserveertijd (het aantal uur VANAF NU wanneer de verwarming begint te functioneren) kan worden ingesteld van 0 tot 99 uur. Als de timer is ingesteld op 0 uur, betekent dit dat de timerfunctie niet is ingesteld. Merk op dat de timer één tijd per gebruik is - de gebruiker stelt de duur van de verwarmingscyclus in en het aantal uur vanaf nu dat de verwarmingscyclus begint. De timer herhaalt NIET maar moet opnieuw worden ingesteld.

- H Schakelen tussen Celsius/Fahrenheit**
De temperatuur kan zowel in Fahrenheit ofwel in Celsius worden weergegeven.

- I Temperatuurinstellingsknoppen**
Drukken op de knoppen voor temperatuurverhoging of -vermindering doen de LED knipperen. Wanneer deze knoppert kunt u instellen op de gewenste temperatuurinstelling. Als u deze knoppen ingedrukt houdt, zullen de waarden snel veranderen of verminderen. De nieuwe en gewenste temperatuurinstelling zal gedurende 3 seconden op het LED display blijven staan om de nieuwe waarde te bevestigen.
OPMERKING: De standaard temperatuur is 35°C (95°F).
OPMERKING: Het temperatuurinstellingsbereik gaat van 20°C (68°F) tot 40°C (104°F).

- J Stroombesparende timer-LED**
Het knipperen van deze LED betekent dat u de warmtegraad instelt. Het licht zal ingeschakeld zijn wanneer de verwarmingsfunctie begint te werken. Het knipperen van deze LED betekent dat u het aantal uren VANAF NU instelt wanneer de verwarming geactiveerd wordt. Wanneer het lampje brandt, is de stroombesparende timerfunctie ingesteld.

- K Aan/Uit-knop**
Druk deze knop gedurende 2 seconden in om de knoppen op het bedieningspaneel te activeren en het lampje wordt groen.
Druk de knop gedurende 2 seconden in om alle momenteel geactiveerde functies uit te schakelen.

- L LCD-display**
 Wanneer ingeschakeld, geeft het LED automatische de huidige watertemperatuur weer. Na een filterwerking van 72 uur (zonder gebruik van de energiebesparende timerfunctie), gaat de pomp naar slaaptoestand en knippert "End" met de huidige watertemperatuur. Wanneer de pomp in slaaptoestand is, zijn de verwarmings- en waterfilterfuncties geactiveerd. Om de pomp te reactiveren, druk gedurende 3 seconden op de vergrendel/ontgrendelknop.

OPMERKING: Het waterverwarmingsvermogen kan wijzigen in de onderstaande omstandigheden:
- Wanneer de buitentemperatuur lager is dan 15°C (59°F).
- Als de afdekking niet in positie is wanneer de verwarmingsfunctie geactiveerd is.
OPMERKING: Om de huidige watertemperatuur weer te geven, laat het filtersysteem gedurende minstens een minuut werken. De watertemperatuur zoals getest door een externe thermometer kan afwijken van de temperatuur zoals weergegeven op het paneel van de spa omwille van de verschillende posities op de meetapparaten.

Alarmen

Oorzaken	Redenen	Oplossingen
E01 De waterdebietsensoren werken zonder te drukken op de filter- of verwarmingsknop.	1. De waterdebietsensor-flags kwamen niet terug naar de correcte positie. 2. De waterdebietsensoren zijn kapot.	1. Koppel de pomp los van het stopcontact, klop niet te hevig tegen de zijkant van de pomp en plug terug in. 2. Neem contact op met uw lokale Bestway Dienst Naverkoop voor meer instructies.
E02 Na het starten of tijdens de functies voor filteren en/of verwarmen detecteren de waterdebietsensoren geen waterdebiet.	1. U bent vergelen de twee stopdoppen uit de binnenkant van het zwembad te verwijderen. 2. De filtercassettes zijn vuil. 3. Activeer het filter- of verwarmingsstelsel en plaats uw hand voor de afvoerbuis in het zwembad om te voelen of u water weg voelt stromen. a. Er stroomt geen water weg, de waterpomp is kapot. b. Er stroomt water weg maar het alarm versijnt, de waterdebietsensoren zijn kapot.	1. Verwijder de stopdoppen vooraleer het verwarmingsstelsel te starten. Raadpleeg het deel Montage in de gebruikershandleiding. 2. Verwijder de filterset uit de binnenkant van het zwembad en druk op de filter- of verwarmingsknop. Als geen alarm verschijnt, reinig of vervang de filtercassettes en herinstalleer de filterset in het zwembad. 3. Neem contact op met uw lokale Bestway Dienst Naverkoop voor meer instructies.
E03 De pompthermometer toont een watertemperatuur van minder dan 4°C (40°F).	1. De watertemperatuur is lager dan 4°C (40°F). 2. Als de watertemperatuur hoger is dan 7°C (44,6°F), dan is de thermometer van de pomp kapot.	1. De spa werd niet ontworpen om te werken bij een watertemperatuur van minder dan 4°C (40°F). Koppel de pomp los en start de pomp slechts opnieuw als de watertemperatuur 8°C (43°F) bereikt. 2. Neem contact op met uw lokale Bestway Dienst Naverkoop voor meer instructies.
E04 De pompthermometer toont een watertemperatuur van meer dan 50°C (122°F).	1. De watertemperatuur is hoger dan 50°C (122°F). 2. Als de watertemperatuur lager is dan 45°C (113°F), dan is de thermometer van de pomp kapot.	1. De spa werd niet ontworpen om te werken bij een watertemperatuur van meer dan 4°C (40°F). Koppel de pomp los en start de pomp slechts opnieuw als de watertemperatuur 38°C of minder bereikt. BELANGRIJK: Druk op de reset-knop van de pomp voor u de pomp opnieuw opstart. 2. Neem contact op met uw lokale Bestway Dienst Naverkoop voor meer instructies.
E05 Er zijn problemen met de aansluitingen van de pompthermometer.	1. De connecties van de pompthermometer werken niet correct. 2. De pompthermometer is kapot.	Neem contact op met uw lokale Bestway Dienst Naverkoop voor meer instructies.
E08 De manuele reset thermische beveiliging heeft een probleem.	De manuele reset thermische beveiliging is geactiveerd.	1. Koppel de pomp los van het stopcontact en druk op de reset-knop en plug de pomp terug in het stopcontact. 2. In het geval het alarm nog altijd aanwezig is, controleer de instructies betreffende de RESET-KNOP in de handleiding. 3. Neem contact op met uw lokale Bestway Dienst Naverkoop voor meer instructies.
E09 104°C (219°F) Defect van de zekering.	De zekering is losgekoppeld.	Neem contact op met uw lokale Bestway Dienst Naverkoop voor meer instructies.
E10 Hoog zoutniveau.	Er werd teveel zout toegevoegd of er is teveel water verdamp.	1. Volg de instructies in het deel werking om het zout te verwijderen. 2. Neem contact op met uw lokale Bestway Dienst Naverkoop voor meer instructies.
E11 Laag zoutniveau.	Onvoldoende zout voor reiniging.	1. Volg de instructies in het deel werking om zout aan het water toe te voegen. 2. Neem contact op met uw lokale Bestway Dienst Naverkoop voor meer instructies.
E12 Waterlek binnenin de pomp.	Het systeem heeft een waterlek binnenin de pomp ontdekt.	Neem contact op met uw lokale Bestway Dienst Naverkoop voor meer instructies.
E13 Signaalleiding los.	De signaalleiding tussen het bedieningspaneel en voedingskaart is niet goed aangesloten.	Neem contact op met uw lokale Bestway Dienst Naverkoop voor meer instructies.

ONDERHOUD

OPMERKING: Uw spa vereist dat er van tijd tot tijd bijkomende lucht wordt toegevoegd. Temperatuurwijzigingen van dag tot nacht wijzigen de druk in de spa en kunnen een zekere mate van leeglopen veroorzaken. Volg de montagevoorschriften en laat het water uit de spa weglopen vooraleer u deze terug naar de benodigde druk opblaast.

LET OP: U MOET ERVOOR ZORGEN DAT DE POMP LOSGEKOPPELD IS VOORALEER U BEGINT MET HET SPA-ONDERHOUD.

Filtercassette-onderhoud

OPMERKING: Om ervoor te zorgen dat het water in uw spa proper blijft, controleer en reinig uw filtercassettes elke dag volgens de onderstaande stappen.



OPMERKING: We bevelen aan uw filtercassettes elke week te vervangen. Als de filtercassette echter vuil en verkleurd blijft, moet ze worden vervangen.

Wateronderhoud

Het is nodig om het water van uw Spa proper en chemisch in evenwicht te houden. De filtercassettes alleen reinigen is niet voldoende voor dit doel. Raadpleeg de onderstaande aanbevelingen:



1. A. Gebruik regelmatig het ingebouwde chlorinatorsysteem. Het zoute water gaat doorheen de elektrolytische cel van het chlooreerapparaat om chloor te produceren dat onmiddellijk oplost in het water. De chloor begint onmiddellijk bacteriën en algen te vernietigen en andere organische materialen.

De eerste keer dat u het systeem gebruikt, stellen we voor dat u de werkingstijd instelt op 8 uur met zoetwater en gebruik een teststrip om ervoor te zorgen dat de vrij chloor tussen 2-4ppm is. Verhoog de werkingstijd als de watertemperatuur hoog is of de SPA niet afgedekt is, gebruik het chlorinatorsysteem elke 24 uur als de SPA in gebruik is, de werkingstijd hangt af van de testresultaten en van hoe vaak u de SPA gebruikt.

OPMERKING: Test de concentratie vrij chloor tweemaal per dag wanneer u het chlorinatorsysteem voor de eerste keer gebruikt. Wanneer de concentratie vrij chloor stabiel wordt, test eenmaal per week om ervoor te zorgen dat de vrije chloor tussen 2-4 ppm is.

OPMERKING: Gebruik de SPA niet wanneer de concentratie vrije chloor hoger is dan 4 ppm.

2. Gebruik zwembadchemicaliën om de waterchemie te behouden-gebruik chloor- of bromiumentabletten (geen korrels gebruiken) met de chemische floater.

Gebruik van chemische tabletten (niet inbegrepen)

(Referentie: Trichlorinafed isocyanuurzuur 3-6 g)

Gebruik van chemische vloeistoffen (niet inbegrepen)

(Raadpleeg de instructies van de aangekochte vloeibare chemicaliën)



Het water moet ongeveer elke 3 dagen of langer met het correcte chemisch onderhoud vervangen worden. De waterkwaliteit is beïnvloed door de gebruiksfrequentie, de personen die de spa gebruiken en het algemeen onderhoud.

OPMERKING: We bevelen aan dat u een douche neemt vooraleer de Lay-Z-Spa te gebruiken. Cosmetica, lotions en andere residu's op de huid kunnen de waterkwaliteit snel doen afnemen.

OPMERKING: Verwijder de chemische floater uit de spa wanneer de spa in gebruik is.

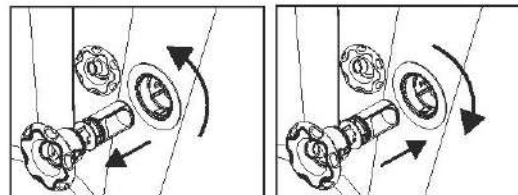
BELANGRIJK: Na het uitvoeren van chemisch onderhoud en voor het gebruik van de spa, gebruik een testkit (niet inbegrepen) om de waterchemie te testen. We bevelen aan het water te behouden zoals in de onderstaande tabel.

pH	Totale alkaliteit	Vrije chloor
7,4-7,6	80-120 ppm	2-4 ppm

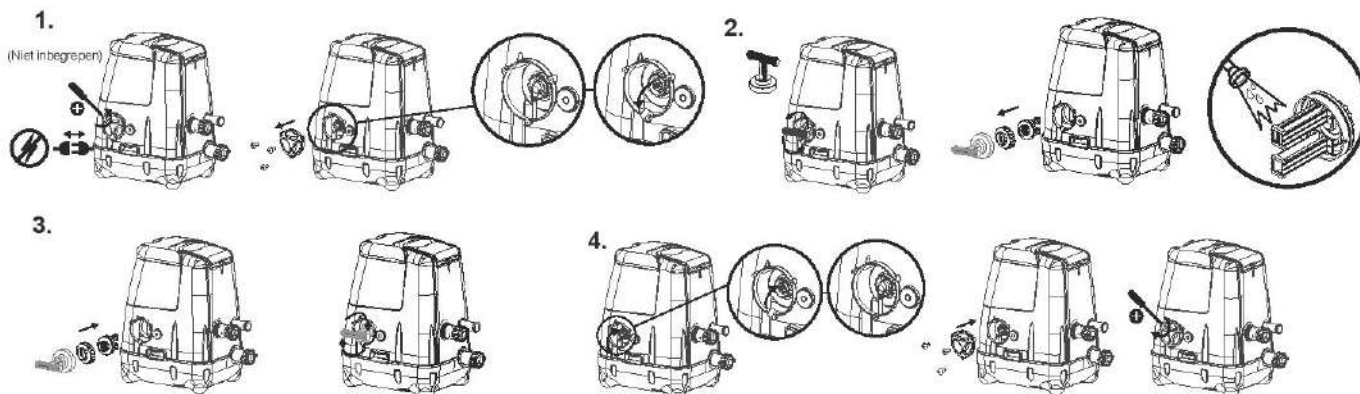
OPMERKING: Schade tengevolge van chemische onevenwichtigheid is niet gedekt door de garantie. Zwembad chemicaliën zijn potentieel giftig en moeten met zorg gehanteerd worden. Er zijn ernstige gezondheidsrisico's van chemische dampen en het incorrect labelen en bewaren van chemische containers. Consulteer uw plaatselijke zwembadleverancier voor meer informatie over chemisch onderhoud. Volg nauwgezet de instructies van de fabrikant van de chemicaliën. Schade aan de spa tengevolge van het verkeerd gebruik van chemicaliën en verkeerd beheer van het water in de spa, is niet gedekt door de garantie.

Onderhoud van sproeistuk

1. Draai tot u een klikgeluid hoort en trek het sproeistuk eruit om het vuil te verwijderen.
2. Plaats terug en draai in wijzerzin om terug te zetten.



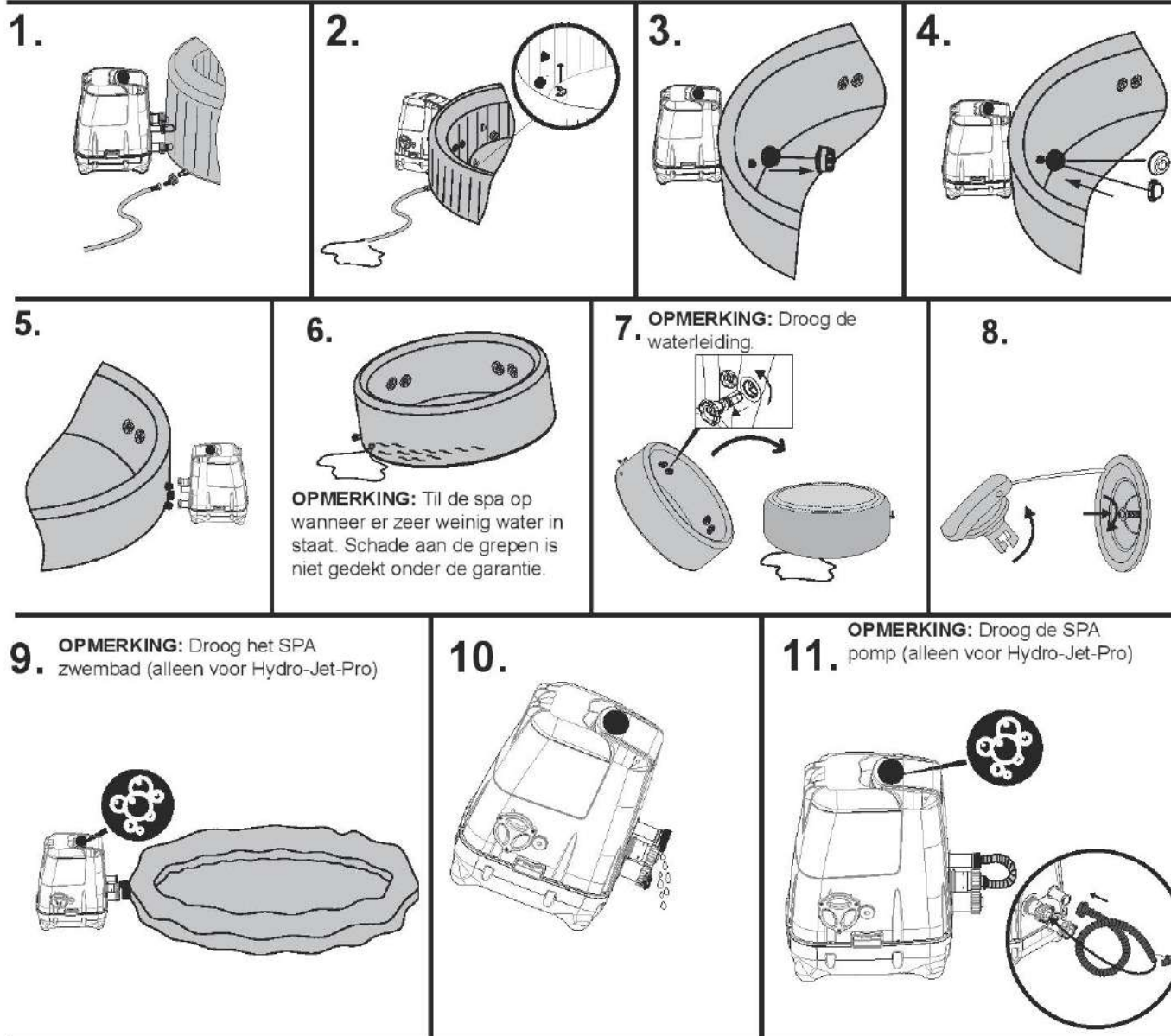
Onderhoud van zoutchlorinatorsysteem



OPMERKING: Als er na het wassen nog afzettingen blijven, plaats de elektrolytische cel dan in een container, giet azijn van keukenkwaliteit om de titanium plaat gedurende ongeveer 4 uur te laten weken en was dan opnieuw. Herhaal de bewerking indien nodig.

De spa leeg laten lopen

OPMERKING: Tekeningen enkel voor illustratiedoeleinden. Mogelijk geen weerspiegeling van het werkelijke product. Niet op schaal.



Reinigen van de spa

Residu van detergents en opgeloste vaste stoffen van badkleding en chemicaliën kunnen zich vastzetten op de wanden van de spa. Gebruik zeep en water om de wanden te reinigen en grondig te spoelen.

OPMERKING: Gebruik GEEN harde borstels of schurende reinigingsmiddelen.

Spa reparatie

Voor Spa opblaasbare afdekking

Als de spa gescheurd of doorboord is, gebruik de bijgeleverde reparatie-patch.

1. Reinig het te repareren gebied.
2. Pel de patch zorgvuldig.
3. Druk de patch op het te repareren gebied.
4. Wacht 30 minuten voor wordt opgeblazen.

Voor Spa bekleding

Als de spa gescheurd of doorboord is, gebruik de bijgeleverde reparatiepatch in PVC en lijm en volg hierbij de volgende stappen:

1. Reinig en droog het te repareren gebied.
2. Snijd de bijgeleverd PVC-patch op de juiste maat.
3. Gebruik de lijm (niet inbegrepen) om één kant van de net gesneden patch in te lijmen. Zorg ervoor dat de lijm gelijkmatig verspreid is.
4. Wacht 30 seconden en plaats dan de gesneden patch met lijm over het beschadigde gedeelte.
5. Zorg ervoor dat er zich geen luchtballen bevinden onder de patch en druk stevig gedurende twee minuten aan.
6. Wacht 30 minuten voor wordt opgeblazen.
7. Het product is nu opnieuw klaar voor gebruik. Herhaal het proces als er opnieuw lekken optreden.

Opslag van Lay-Z-Spa



Zorg ervoor dat de spa en pomp volledig droog zijn voor u deze opbergt. Dit is essentieel om de levensduur van de spa te verlengen. We bevelen aan om de pomp te gebruiken om de spa, pomp en leidingen droog te blazen. Verwijder de filtersets en gooi de gebruikte filtercassettes weg. Plaats de twee stopper-doppen terug op de inlaat- en uitlaatkleppen. Het is aanbevolen dat u de spa opbergt in de originele verpakking en op een warme droge plaats.

OPMERKING: Plastic wordt broos en onderhevig aan breken wanneer blootgesteld aan temperaturen onder nul. Vriezen kan de spa ernstig beschadigen. Het incorrect klaarmaken voor de winter van uw spa kan uw garantie ongeldig maken.



Verwijdering Betekenis van doorkruiste vuilbaksymbool: Elektrische toestellen niet weggooien als ongesorteerd stedelijk afval, gebruik gescheiden afvalinzameling. Neem contact op met uw plaatselijke overheid voor informatie betreffende de beschikbare inzamelingsystemen. Als elektrische toestellen op stortplaatsen worden gestort, kunnen gevaarlijke stoffen in het grondwater lekken en in de voedselketen terecht komen en zo uw gezondheid en welzijn schaden. Wanneer oude toestellen door nieuwe vervangen worden, is de detailhandelaar wettelijk verplicht uw oud toestel gratis terug te nemen voor verwijdering.

PROBLEEMOPLOSSING Bestway streeft ernaar de meest probleemloze spa's op de markt te brengen. Als u enige problemen ondervindt, aarzel dan niet om contact op te nemen met Bestway of met uw geautoriseerde dealer. Hier zijn enkele nuttige tips om u te helpen enkele vaak voorkomende oorzaken van problemen te identificeren en op te lossen.

Problemen	Mogelijke oorzaken	Oplossingen
Pomp werkt niet	<ul style="list-style-type: none"> - Stroomstoring - Stroomkring is verbroken 	<ul style="list-style-type: none"> - Controleer de stroombron - Neem contact op met uw lokale Bestway Dienst Naverkoop voor meer instructies.
Pomp werkt niet correct op	<ul style="list-style-type: none"> - Temperatuur is te laag ingesteld - Vuile filtercassette - De thermische beveiliging wordt onderbroken. - Het verwarmingselement werkt niet 	<ul style="list-style-type: none"> - Stel het verwarmingssysteem in op een hogere temperatuur (zie het deel Pompwerking) - Reinig/Vervang de filtercassette (raadpleeg het deel reinigen en vervangen van filtercassette) - Druk op de resetknop op de pomp, zie deel pompwerking - Neem contact op met uw lokale Bestway Dienst Naverkoop voor meer instructies.
Lay-Z-Massagesysteem werkt niet	<ul style="list-style-type: none"> - De luchtpomp is oververhit - De Lay-Z-Spa Massage stopt automatisch - De luchtpomp is kapot 	<ul style="list-style-type: none"> - Koppel de pomp los en wacht twee uur tot de pomp afgekoeld is. Plaats de plug en druk op de knop van het Lay-Z-Massagesysteem - Druk op de the Lay-Z-Massagesysteem-knop om te reactiveren - Neem contact op met uw lokale Bestway Dienst Naverkoop voor meer instructies.
De pompadapters zijn niet gelijk met de spa adapters	Een eigenschap van PVC is dat het van vorm verandert, wat normaal is	<ul style="list-style-type: none"> - Verhoog de pomp met hout of een ander type geïsoleerd materiaal om de pompadapters gelijk te brengen met de spa-adapters
Spazwembad-lekken	<ul style="list-style-type: none"> - De Spa is gescheurd of doorboord - Luchtklep is los 	<ul style="list-style-type: none"> - Gebruik de bijgeleverde reparatiepatch - Bedek met behulp van zeepwater de luchtklep om te controleren of er lucht lekt. Indien dit het geval is, gebruik de bijgeleverde sleutel om de luchtklep vast te zetten volgens de volgende stappen: 1. Laat de lucht uit de SPA lopen. 2. Met één hand, houd de achterkant van de luchtklep van de binnenkant van de spa-wand en draai de sleutel in wijzerzin.
Het water is niet proper	<ul style="list-style-type: none"> - Onvoldoende filtertijd - Vuile filtercassette - Incorrect wateronderhoud - Sanitair systeem werkt niet - De titanium plaat was gecoat - Onvoldoende reinigingstijd 	<ul style="list-style-type: none"> - Verhoog de filtratietijd - Reinig/Vervang de filtercassette, raadpleeg het deel reinigen en vervangen van filtercassette - Raadpleeg de instructies van de fabrikant van de chemicaliën - Controleer de voeding of neem contact op met uw lokale Bestway Dienst Naverkoop voor instructies - Reinig de titanium plaat (Raadpleeg het deel Zoutchlorinatorsysteem Onderhoud)
PRCD test mislukt	Er is een defect in je spa	Neem contact op met uw lokale Bestway Dienst Naverkoop en retourneer de SPA
HydroJet-systeem werkt niet	<ul style="list-style-type: none"> - De waterpomp is oververhit - De waterpomp is kapot 	<ul style="list-style-type: none"> - Koppel de pomp los en wacht twee uur tot de pomp afgekoeld is. Sluit terug aan en probeer nogmaals - Neem contact op met uw lokale Bestway Dienst Naverkoop voor meer instructies
Het bedieningspaneel werkt niet	<ul style="list-style-type: none"> - Het bedieningspaneel heeft een automatische vergrendelingsfunctie die geactiveerd wordt na 5 minuten van inactiviteit. Het LED-display heeft één pictogram:  Als het vergrendelingspictogram gemarkeerd is, is het bedieningspaneel vergrendeld - Het bedieningspaneel is niet geactiveerd 	<ul style="list-style-type: none"> - Om het bedieningspaneel te ontgrendelen, druk gedurende 3 seconden op de knop  - Als het bedieningspaneel niet ontgrendeld kan worden, herstart de pomp - koppel de pomp los en sluit terug aan. - Druk gedurende 2 seconden op de knop aan/uit - Als het probleem aanhoudt, neem contact op met uw lokale Bestway Dienst Naverkoop voor instructies.
Welke soort chemicaliën moet worden gebruikt voor wateronderhoud?	Consulteer uw plaatselijke leverancier van chemicaliën voor meer informatie over chemisch onderhoud. Volg nauwgezet de instructies van de fabrikant van de chemicaliën.	
Waterlekkage van de adapters tussen de pomp en de spa	Plaats drie doppen op de poorten van de spa om te voorkomen dat er water vrijkomt en koppel de pomp los. Controleer en zorg ervoor dat de afsluitingen correct in de pompadapters geplaatst zijn. Als de afsluitingen ontbreken of niet correct geïnstalleerd zijn, neem contact op met uw lokale Bestway Dienst Naverkoop voor instructies. Als de afsluitingen correct op hun plaats zitten, sluit de pomp opnieuw op de spa aan en draai de adapters met de hand vast.	

Beperkte BESTWAY® Fabrieksgarantie

Het product dat u hebt aangekocht heeft een beperkte garantie. Bestway® steunt onze kwaliteitsgarantie en verzekert, via een vervangingsgarantie, dat uw product vrij zal zijn van fabricagefouten.

Om een garantiereclame in te dienen, moet dit formulier ingevuld worden en samen met een kopie van uw ontvangstbewijs/aankoopbewijs bezorgd worden aan uw lokale Bestway Dienst Naverkoop. Neem contact op met uw lokale Bestway Dienst Naverkoop vooraleer enige documenten te zenden. Zij zullen volledige instructies geven betreffende wat nodig is voor uw claim. Bestway® zal geen producten vervangen die geacht worden beschadigd te zijn omwille van nalatigheid of die gebruikt werden buiten de richtlijnen in de gebruikershandleiding.

De garantie van Bestway dekt fabricagefouten ontdekt terwijl het product uitgepakt werd of tijdens gebruik zoals aanbevolen in de gebruikershandleiding. Deze garantie is enkel van toepassing op producten die niet gewijzigd mogen zijn door enige derde. Het product moet opgeborgen en gehanteerd worden overeenkomstig de technische aanbevelingen.

Deze garantie dekt geen schade veroorzaakt door verkeerd gebruik, misbruik, verzuim, inclusief maar niet beperkt tot botsing, brand, gebruik van incorrecte spanning, buitensporige blootstelling aan hitte, incorrecte installatie, incorrecte bedrading of testen, incorrecte opberging,

Vervangingen en reparaties verlengen de duur van de garantie niet. De startdatum van de garantie is de datum van de verkoop weergegeven op het originele ontvangstbewijs/aankoopfactuur.

Kies uw SPA



Palm Springs



Hawaii

AAN: Bestway® Service Department

Datum van aankoop: _____

DATUM: _____

Klantencodenummer: _____

FAX/E-MAIL/TEL: Raadpleeg uw land volgens de informatie op de achteromslag of op onze website:

www.bestwaycorp.com

Geef uw volledig adres op. **Opmerking:** Onvolledige adressen resulteren in vertraagde verzendingen.

Bestway behoudt zich het recht voor om onafgeleverde pakketten terug te leveren wanneer de ontvanger in fout is.

VEREISTE INFORMATIE - NOTEER HET VERZENDADRES

Naam: _____ Adres: _____

Postcode: _____ Detailhandelaar: _____

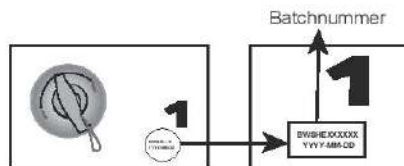
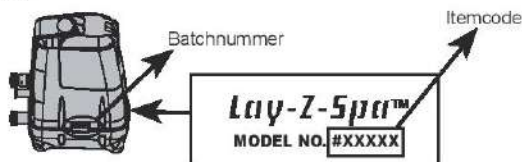
Land: _____ Stad: _____

GSM: _____ Telefoon: _____

Fax: _____ E-mail: _____

SPA POMP Batchnummer: _____ SPA Zwembad Batchnummer: _____

SPA POMP Itemcode: _____



Tekeningen enkel voor illustratiedoeleinden. Niet op schaal.

Beschrijving van het probleem

- | | | |
|--|--|--|
| <input type="radio"/> Spa lekt | <input type="radio"/> Waterfiltratiesysteem werkt niet | <input type="radio"/> Verwarmingssysteem werkt niet |
| <input type="radio"/> Bedieningspaneel geeft een defect aan dat niet kan worden opgelost | <input type="radio"/> Lay-Z-Massagesysteem werkt niet | |
| <input type="radio"/> Pomp leekt | <input type="radio"/> Adapter lekt | <input type="radio"/> Ontbrekende delen - Gebruik de code voor het ontbrekende deel, u vindt deze in de gebruikershandleiding. |
| <input type="radio"/> Andere (omschrijven aub) | | |

BELANGRIJK: ALLEEN HET BESCHADIGDE ONDERDEEL ZAL VERVANGEN WORDEN, NIET DE VOLLEDIGE SET.

Bestway behoudt zich het recht voor om fotografische bewijzen van defecte onderdelen te vragen of om het item te verzenden voor extra testen.

Om u het beste te kunnen helpen vragen we u om complete informatie te bezorgen.

VOOR FAQ, HANDLEIDINGEN, VIDEO'S OF RESERVEONDERDELEN, GA NAAR ONZE WEBSITE www.bestwaycorp.com
VIDEO'S ZIJN OOK BESCHIKBAAR OP ONS BESTWAY CHANNEL OP YOUTUBE: www.youtube.com/user/BestwayService

Bestway

CONTENUTO

1. Istruzioni per la sicurezza	P81
2. Specifiche	P84
3. Montaggio	P86
4. Uso	P88
5. Manutenzione	P90
6. Risoluzione dei problemi	P92
7. Garanzia	P93



ISTRUZIONI PER LA SICUREZZA

Durante l'installazione e l'uso dell'apparecchiatura elettrica, attenersi sempre alle precauzioni di sicurezza basilari di seguito indicate:

ISTRUZIONI IMPORTANTI PER LA SICUREZZA: LEGGERE E ATTENERSI RIGIDAMENTE A TUTTE LE ISTRUZIONI.

AVVERTENZE

- La piscina deve essere alimentata da un trasformatore di isolamento o tramite un interruttore differenziale (RCD) con corrente residua nominale non superiore a 30 mA.
- La pompa deve essere sempre provata prima di utilizzarla. Per eseguire la prova, attenersi alle istruzioni riportate in questo manuale nella sezione relativa al funzionamento.
- Se il cavo di alimentazione è danneggiato, deve essere sostituito dal produttore, dal centro di assistenza o da un tecnico qualificato al fine di evitare situazioni pericolose.
- Per ridurre il rischio di scosse elettriche, non adoperare prolunghe per collegare l'unità all'alimentazione elettrica; utilizzare una presa con una collocazione adeguata.
- Nessuna parte dell'apparecchio deve essere posizionata sopra la vasca durante l'uso.
- I componenti contenenti parti in tensione, tranne quelli con tensione particolarmente bassa non superiore a 12 V, devono essere inaccessibili alle persone che si trovano nella piscina. Le parti contenenti componenti elettrici, ad eccezione dei dispositivi di controllo remoto, devono essere collocate o fissate in modo che non possano mai cadere nella piscina.
- La spina della pompa deve trovarsi ad almeno 3,5 metri di distanza dalla piscina.
- Dopo l'installazione della piscina, la spina deve essere facilmente accessibile.

ATTENZIONE: per evitare il pericolo dovuto al reset accidentale dell'interruttore termico, l'apparecchiatura non deve essere alimentata tramite un dispositivo di commutazione esterno, ad esempio un timer, o collegata a un circuito regolarmente attivato e disattivato dall'azienda di servizi.

Dopo 3-5 anni di utilizzo della piscina, contattare un tecnico della manutenzione qualificato per controllare la sicurezza e il rendimento. I componenti principali, come l'elemento riscaldante, il motore del soffiatore e le valvole di non ritorno all'interno dell'unità elettrica, devono essere controllati e sostituiti (se necessario) da professionisti

Avvertenza: tenere sempre la spina asciutta, vietato utilizzare una spina bagnata!

La piscina deve essere alimentata da una fonte di corrente collegata a terra.

- **PER EVITARE SCOSSE ELETTRICHE, NON UTILIZZARE LA PISCINA NEI GIORNI DI PIOGGIA.**
- Non indossare mai le lenti a contatto quando si è in piscina.
- Non utilizzare mai la piscina durante la manutenzione chimica.
- La fonte di alimentazione a parete deve trovarsi a una distanza dalla piscina di almeno 4 m e a un'altezza di almeno 1,2 metri.
- Non adoperare prolunghe.
- Non collegare o scollegare l'apparecchiatura con le mani bagnate.
- Scollegare sempre l'apparecchiatura nelle seguenti situazioni:
 - nelle giornate di pioggia
 - prima delle operazioni di pulizia o manutenzione
 - se lasciata incustodita durante le vacanze
- La pulizia e manutenzione devono essere eseguite da un adulto maggiorenne e totalmente consapevole del pericolo di scosse elettriche.
- Se il prodotto non viene utilizzato per lunghi periodi, ad esempio in inverno, la piscina deve essere smontata e conservata al chiuso.
- **Attenzione:** leggere sempre le istruzioni prima di utilizzare l'apparecchiatura e prima di procedere con

l'installazione e le operazioni di montaggio/smontaggio.

- Conservare con cura le istruzioni. Se le istruzioni non fossero state accluse, contattare il produttore o scaricarne una copia da www.bestwaycorp.com
- **Avvertenza: per ragioni di sicurezza elettrica, una spina con interruttore differenziale è inclusa nel cavo di alimentazione. Se viene individuata una perdita di oltre 10 mA, il dispositivo entra in azione e interrompe l'alimentazione. In tal caso, scollegare e interrompere l'utilizzo della piscina. Non procedere da soli al reset del prodotto. Contattare il centro di assistenza locale per controllare e riparare il prodotto.**
- Questa apparecchiatura non è progettata per essere utilizzata da persone (bambini inclusi) con ridotte funzionalità fisiche, sensoriali o mentali o da persone inesperte, a meno che non vengano controllate o che una persona responsabile della loro sicurezza non abbia spiegato loro il funzionamento dell'apparecchiatura. I bambini devono essere controllati per evitare che giochino con l'apparecchiatura. (Per un mercato diverso dall'Unione europea)
- Questa apparecchiatura può essere utilizzata da bambini di età superiore a 8 anni e da persone con problemi fisici, sensoriali o mentali, o prive di esperienza solo sotto sorveglianza o fornendo loro le istruzioni sull'uso sicuro e consapevole dei rischi. Impedire ai bambini di giocare con l'apparecchiatura. Le operazioni di pulizia e manutenzione non devono essere effettuate dai bambini senza la supervisione di un adulto. (Per il mercato dell'Unione europea)
- I bambini sono attratti dall'acqua; coprire la piscina dopo ogni utilizzo.
- Non sotterrare il cavo. Tenere bene in vista il cavo per ridurre il rischio che venga tranciato da falciatrici, tosasiepi e altre apparecchiature.
- Rischio di annegamento accidentale. Attuare tutte le misure necessarie per impedire ai bambini di utilizzare l'apparecchiatura senza autorizzazione. Per evitare incidenti, accertarsi che i bambini non possano utilizzare la piscina senza una sorveglianza costante.
- **RISCHIO DI LESIONI.** Non utilizzare mai la piscina nel caso in cui i tubi di ingresso / scarico siano danneggiati o mancanti. Non tentare mai di sostituire i tubi di ingresso / scarico. Consultare sempre il centro di assistenza post-vendita locale.
- **RISCHIO DI SCOSSE ELETTRICHE.** Installare l'apparecchiatura ad almeno 2 m di distanza da eventuali superfici metalliche.
- **RISCHIO DI SCOSSE ELETTRICHE.** Non mettere mai in funzione un'apparecchiatura elettrica quando si è in piscina o con il corpo bagnato. Non collocare mai un apparecchio elettrico, come una luce, un telefono, una radio o una televisione a meno di 2 m di distanza dalla piscina.
- Durante la gravidanza, immergersi in acqua molto calda può causare danni al feto. Limitare l'uso a 10 minuti alla volta.
- **PER RIDURRE IL RISCHIO DI LESIONI:**
 - A. La temperatura dell'acqua della piscina non deve mai superare i 40 °C (104 °F). Una temperatura compresa tra 38 °C (100 °F) e 40 °C (104 °F) è considerata sicura per un adulto in buona salute. Temperature più basse sono consigliate per bambini piccoli e quando si supera il limite di utilizzo della piscina di 10 minuti.
 - B. Poiché temperature eccessive dell'acqua, hanno un alto potenziale di causare danni al feto durante i primi mesi di gravidanza, il limite di temperatura dell'acqua per donne in gravidanza o in possibile stato di gravidanza dovrebbe essere di 38 °C (100 °F).
 - C. Prima di entrare nella piscina, si raccomanda di misurare la temperatura dell'acqua con un termometro accurato poiché la tolleranza del dispositivo di regolazione della temperatura dell'acqua varia.
 - D. L'uso di alcool, droghe o medicinali prima o durante l'uso della piscina può causare perdita di conoscenza, con la possibilità di annegamento.
 - E. Persone obese e persone che soffrono di patologie cardiache, pressione del sangue bassa o alta, problemi del sistema circolatorio o diabete devono consultare un medico prima di utilizzare la piscina.
 - F. Le persone che fanno uso di farmaci devono consultare un medico prima dell'utilizzo della piscina poiché alcuni farmaci possono indurre sonnolenza, mentre altri possono influenzare la frequenza cardiaca, la pressione sanguigna, e la circolazione.
- **PER RIDURRE IL RISCHIO DI LESIONI:** Non versare mai acqua con una temperatura superiore a 40 °C (104 °F) direttamente nella piscina.
- L'uso di alcool, droghe o medicinali può aumentare notevolmente il rischio di ipertermia fatale. L'ipertermia si verifica quando la temperatura interna del corpo raggiunge un livello di parecchi gradi superiore alla normale temperatura corporea di 37 °C (98,6 °F). I sintomi dell'ipertermia comprendono un aumento della temperatura interna del corpo, vertigini, letargia, sonnolenza, e svenimenti. Gli effetti dell'ipertermia includono impossibilità di percepire il calore; mancato riconoscimento della necessità di uscire dalla piscina o dalla vasca a idromassaggio; inconsapevolezza del pericolo imminente; danni al feto nelle donne in gravidanza; incapacità fisica di uscire dalla piscina o dalla vasca a idromassaggio e incoscienza con conseguente pericolo di annegare.
- Gli impianti elettrici devono rispettare le norme nazionali di cablaggio, consultare un elettricista qualificato per qualsiasi domanda.

CONSULTARE IL PROPRIO MEDICO PER LE RACCOMANDAZIONI.

ATTENZIONE

- La piscina non deve essere installata o lasciata all'aperto a una temperatura inferiore a 4 °C (40 °F).
- Non utilizzare la piscina quando si è soli.
- Le persone che soffrono di malattie infettive non devono usare la piscina.
- Non utilizzare la piscina immediatamente dopo un esercizio fisico intenso.
- Entrare sempre in piscina lentamente e con attenzione. Le superfici bagnate sono scivolose.
- Per evitare danni alla pompa, la piscina deve essere utilizzata solo dopo essere stata riempita d'acqua.
- Uscire immediatamente dalla piscina se ci si sente a disagio o assonnati.
- Non aggiungere mai acqua ai prodotti chimici. Aggiungere sempre i prodotti chimici all'acqua per evitare forti fumi o reazioni violente che potrebbero provocare spruzzi chimici pericolosi.
- Per le informazioni relative alla pulizia, manutenzione e smaltimento dell'acqua, consultare la sezione "MANUTENZIONE".
- Per le informazioni relative all'installazione, fare riferimento al seguente paragrafo del manuale.

NOTA:

- Ispezionare attentamente l'apparecchiatura prima dell'uso. Eventuali danni o componenti mancanti devono essere segnalati al momento dell'acquisto all'assistenza clienti Bestway, i cui recapiti sono indicati nel presente manuale. Accertarsi che i componenti dell'apparecchiatura corrispondano ai modelli che si intendevano acquistare.
- Questo prodotto non è destinato a utilizzi commerciali.

AVVERTIMENTO PER LA POMPA ELETTRICA AD ARIA (per Palm Springs HydroJet):

La pompa ad aria elettrica non fa parte della piscina. Per la sicurezza è necessario fare riferimento al manuale dell'utente della pompa elettrica ad aria.

L'uso del cavo di prolunga utilizzato per la pompa ad aria durante il gonfiaggio della piscina è rigorosamente vietato per la piscina.

Dopo aver gonfiato la piscina, la pompa ad aria e il cavo di prolunga devono essere scollegati dalla rete di alimentazione e riposti al chiuso.

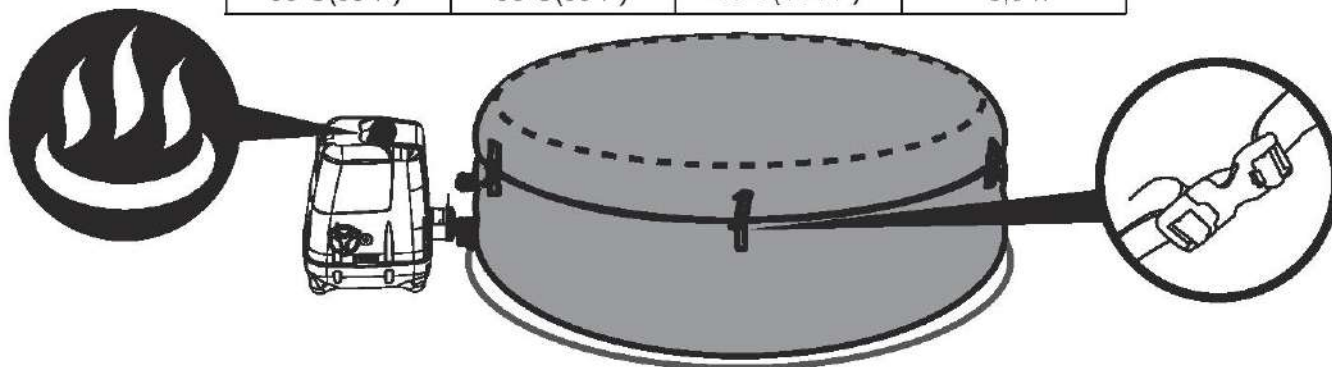
Il tempo di funzionamento del motore non deve superare i 20 minuti.

ATTENZIONE: PER EVITARE IL RISCHIO DI SCOSSE ELETTRICHE, NON ESPORRE ALL'ACQUA O ALLA PIOGGIA. UTILIZZARE ESCLUSIVAMENTE PER USO DOMESTICO.

CONSERVARE QUESTE ISTRUZIONI IMPORTANTE:

Per raggiungere 40 °C (104 °C), la durata del riscaldamento necessaria dipende dalla temperatura dell'acqua di partenza e dalla temperatura dell'ambiente, i dati qui di seguito sono puramente indicativi. Per visualizzare la temperatura dell'acqua, mettere in funzione il sistema filtrante per almeno un minuto.

Temperatura ambiente	Temperatura dell'acqua	Temperatura impostata	Durata del riscaldamento
10°C(50°F)	10°C(50°F)	40°C(104°F)	18,5 h
15°C(59°F)	15°C(59°F)	40°C(104°F)	15 h
20°C(68°F)	20°C(68°F)	40°C(104°F)	11,5 h
25°C(77°F)	25°C(77°F)	40°C(104°F)	8,5 h
30°C(86°F)	30°C(86°F)	40°C(104°F)	5,5 h

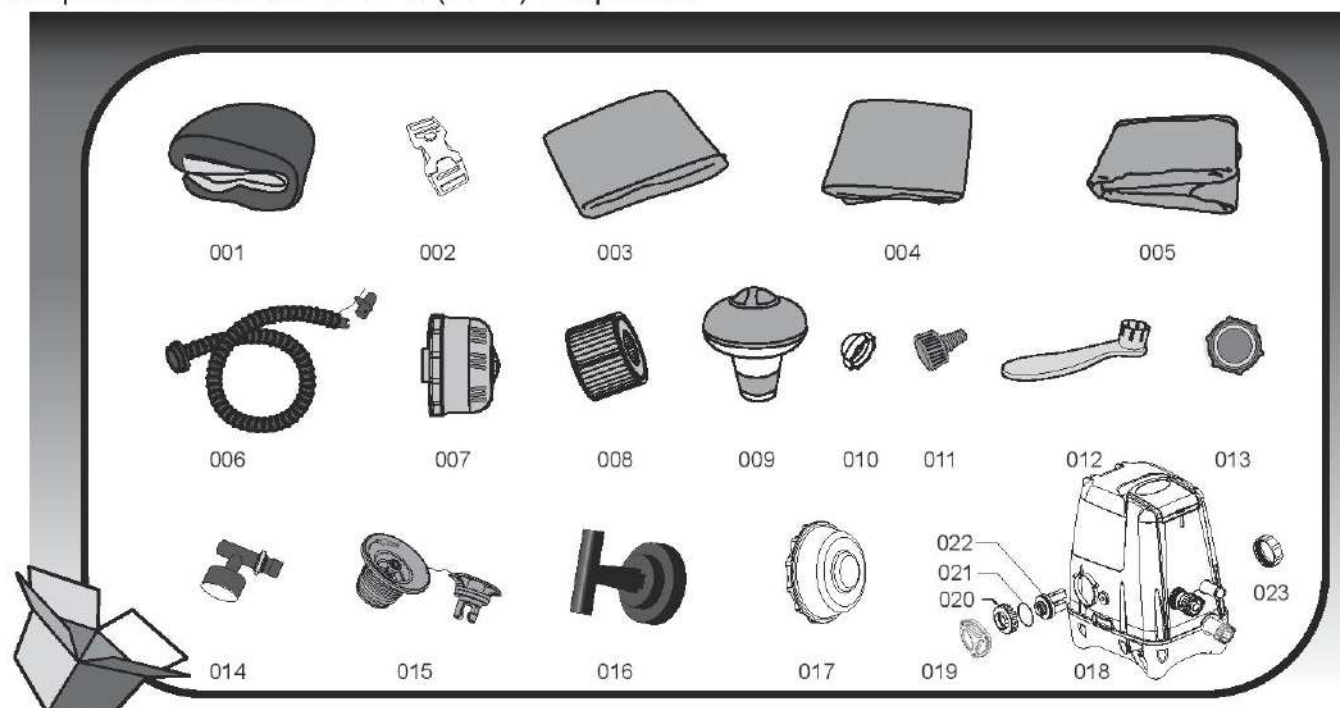


Assicurarsi di coprire la piscina con la copertura ogni volta che viene attivata la funzione di riscaldamento. Lasciando la piscina scoperta aumenterà la durata del riscaldamento necessaria. Non utilizzare la piscina quando la temperatura ambiente è inferiore a 4 °C (39 °F).

SPECIFICHE PER LAY-Z-SPA™ HAWAII HYDROJET PRO (N. 54138)

Capacità:	4-6 adulti	Soffiatore turbo per massaggi:	800 W	Pompa a getto:	1200 W
Capacità acqua:	795 L (210 gal)	Elemento riscaldante:	2.000 W a 20 °C	Flusso d'acqua effettivo:	1.325 L/h (350 gal/h)
Dimensioni da gonfia:	1,80 m x 1,80 m x 71 cm (71" x 71" x 28")	Pompa:	50 W Pompa filtrante di circolazione	Potenza alimentazione:	220-240 V CA, 2060 W a 20 °C
Peso riempita:	867 kg (1,911 Lb)	Capacità di temperatura:	40 °C (104 °F)	Pressione di esercizio:	1,2 PSI (0,08 bar)
Velocità di aumento della temperatura:	Circa 1,5-2 °C/h (3-4 °F/h)	Ugelli:	8 Pz	Sistema di pulizia:	20 W

NOTA: la velocità di riscaldamento sopra indicata si riferisce a un test di laboratorio con una temperatura ambiente di 25 °C (77 °F) o superiore.

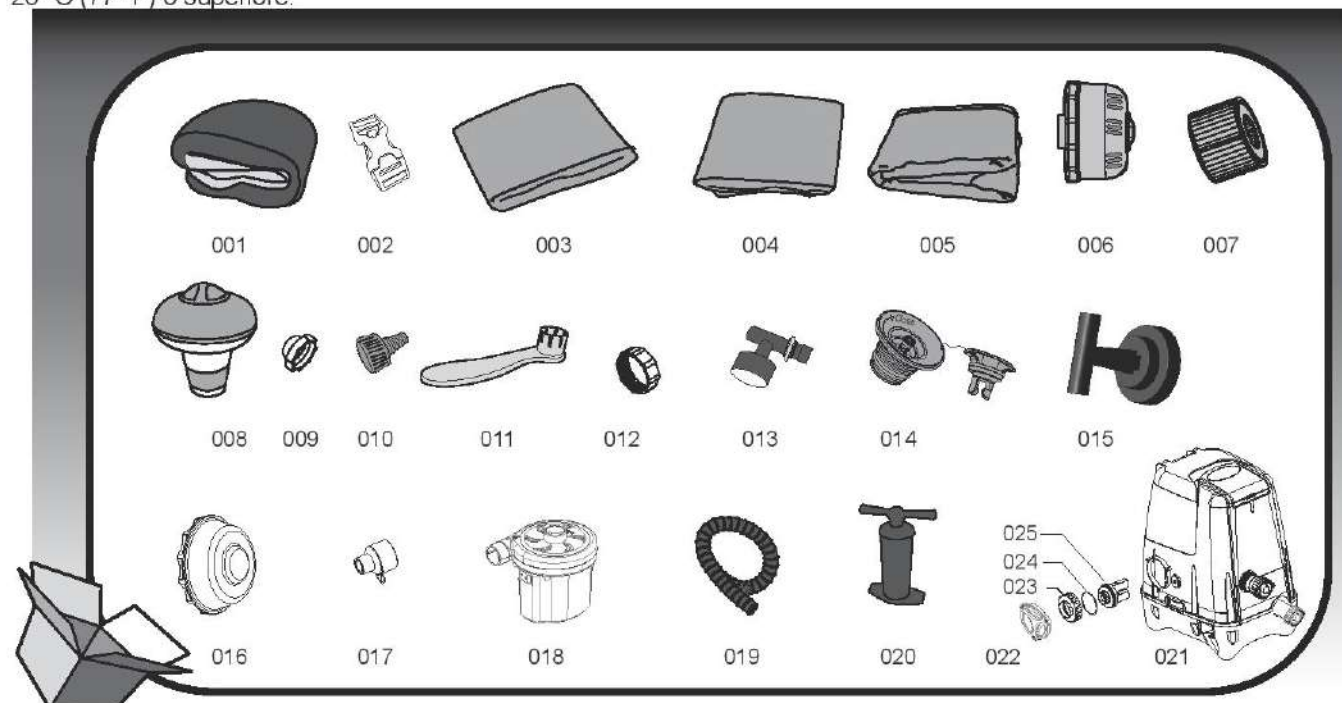


N. componente	Codice componente	Descrizione	QTÀ
001	54138TASS17	Rivestimento della piscina	1
002	F6414ASS16	Fibbia	8
003	P5511GASS17	Copertura in similpelle	1
004	54138GASS17	Copertura gonfiabile	1
005	58371(H)S16	Tappetino antistatico	1
006	P6930	Tubo di gonfiaggio	1
007	P6653	Set filtrante	1
008	58323	Cartuccia del filtro	2
009	58426S17	Galleggiante chimico	1
010	P6575	Tappo (per il foro di uscita del filtro)	1
011	P6H565	Adattatore tubo	1
012	F6H189	Chiave (per la valvola dell'aria)	1
013	P6611	Adattatore coperchio A	1
014	P61199	Manometro	1
015	P6H971	Valvola di gonfiaggio	1
016	P61385	Chiave (per il sistema Cloratore a sale)	1
017	P61290	Tappo (per il foro di ingresso dell'acqua)	1
018	P4H125ASS17	Pompa piscina	1
019	P61334	Tappo	1
020	P61386	Dado cella elettrolitica	1
021	P61388	O-RING cella elettrolitica	1
022	P61387	Cella elettrolitica	1
023	P61587	Tappo per la piscina	2

SPECIFICHE PER LAY-Z-SPA™ PALM SPRINGS HYDROJET (N. 54144)

Capacità:	4-6 adulti	Sistema di pulizia:	20 W	Pompa a getto:	1200 W
Capacità acqua:	795 L (210 gal)	Elemento riscaldante:	2.000 W a 20 °C	Flusso d'acqua effettivo:	1.325 L/h (350 gal/h)
Dimensioni da gonfia:	1,96m x 71cm (77" x 28")	Pompa:	Pompa filtrante di circolazione 50 W	Potenza alimentazione:	220-240 V CA, 2060 W a 20 °C
Paino täytettyinä:	864 kg (1 905 Lb)	Capacità di temperatura:	40 °C (104 °F)	Pressione di esercizio:	1,2 PSI (0,08 bar)
Velocità di aumento della temperatura:	Circa 1,5-2 °C/h (3-4 °F/h)	Ugelli:	8 Pz	Pompa ad aria CA:	110 W

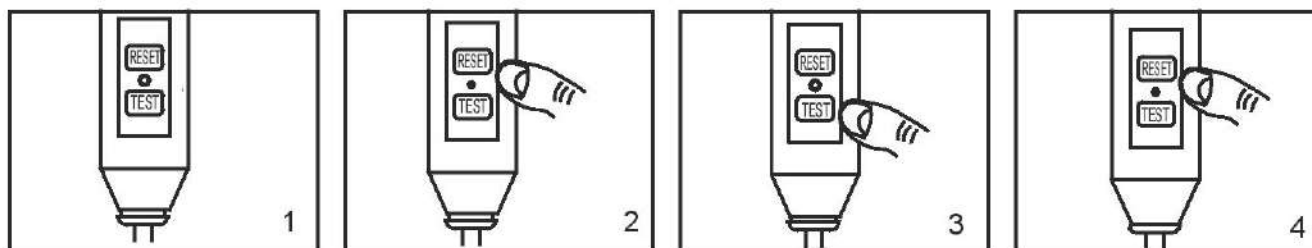
NOTA: la velocità di riscaldamento sopra indicata si riferisce a un test di laboratorio con una temperatura ambiente di 25 °C (77 °F) o superiore.



N. componente	Codice componente	Descrizione	QTÀ
001	54144TASS17	Rivestimento per piscina	1
002	F6414ASS16	Fibbia	6
003	P5532GASS17	Copertura in similpelle	1
004	54144GASS17	Copertura gonfiabile	1
005	58321(H)S15	Tappetino antistatico	1
006	P6653	Set filtrante	1
007	58323	Cartuccia del filtro	2
008	58426S17	Galleggiante chimico	1
009	P6575	Tappo	1
010	P6H565	Adattatore tubo	1
011	F6H189	Chiave (per la valvola dell'aria)	1
012	P61587	Tappo per la piscina	2
013	P61199	Manometro	1
014	P6H971	Valvola di gonfiaggio	1
015	P61385	Chiave (per il sistema Cloratore a sale)	1
016	P61290	Tappo (per il foro di ingresso dell'acqua)	1
017	P61330	Adattatore del flessibile per la pompa ad aria CA	1
018	P61329	Pompa ad aria CA	1
019	P61327	Tubo di gonfiaggio	1
020	P61326	Pompa a mano	1
021	P4H127ASS17	Pompa piscina	1
022	P61334	Tappo	1
023	P61386	Dado cella elettrolitica	1
024	P61388	O-RING cella elettrolitica	1
025	P61387	Cella elettrolitica	1

Test pompa

Test interruttore differenziale



NOTA: i disegni sono riportati solo a scopo illustrativo e potrebbero essere diversi dal prodotto. I disegni non sono in scala.

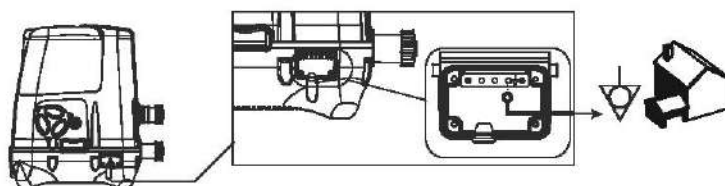
1. Inserire la spina.
2. Premere il pulsante "RESET"; la spia si accende.
3. Premere il pulsante "TEST", la spia si spegne.
4. Premere il pulsante "RESET"; la spia si accende.
5. Premere il pulsante di accensione/spegnimento per 2 secondi, la pompa è pronta all'uso.



AVVERTENZA: la spina con interruttore differenziale deve essere verificata prima dell'utilizzo per evitare il rischio di scosse elettriche.

AVVERTENZA: prima di inserire la spina nella presa della corrente, assicurarsi che la potenza della presa sia adeguata alla pompa.

AVVERTENZA: se il test fallisce, non utilizzare la pompa e contattare l'assistenza post-vendita.



TERMINALE PER COLLEGAMENTO EQUIPOTENZIALE DELLA POMPA PER PISCINE

Si consiglia di consultare un elettricista qualificato per collegare la pompa della piscina a un terminale di messa a terra con un conduttore di rame solido di (minimo) 2,5 mm².

MONTAGGIO

AVVERTENZA: il luogo scelto deve essere in grado di sostenere il carico previsto.

AVVERTENZA: è necessario predisporre un impianto di scarico adeguato per l'acqua che trabocca sia nelle installazioni all'interno che all'esterno.

NOTA: solo la piscina Hydro-Jet Pro è dotata del pulsante del sistema Lay-Z-Massage. Durante il gonfiaggio, si noterà che l'aria viene espulsa dalla zona in cui il tubo dell'aria si collega alla pompa, ciò è normale e previene danni causati da un gonfiaggio eccessivo.

NOTA: non adoperare un compressore d'aria per gonfiare la piscina.

NOTA: non trascinare la piscina sul terreno sconnesso perché potrebbe danneggiare il rivestimento.

NOTA: il tempo di gonfiaggio è puramente indicativo.

NOTA: il manometro serve solo per il gonfiaggio e il valore indicato è solo di riferimento. Il manometro non deve essere adoperato come strumento di precisione.



Controllo della valvola dell'aria

Prima del gonfiaggio controllare sempre con attenzione la valvola dell'aria per verificare che non siano presenti perdite d'aria. Se la valvola dell'aria risulta allentata, stringerla con la chiave in dotazione procedendo come descritto di seguito: con una mano trattenere la parte posteriore della valvola dell'aria dal lato interno della parete della piscina e ruotare la chiave in senso orario.

NOTA:

1. Non stringere troppo.
2. Non regolare il connettore della valvola dell'aria quando la piscina è utilizzata.

MONTAGGIO PER HAWAII HYDROJET PRO (N. 54138)

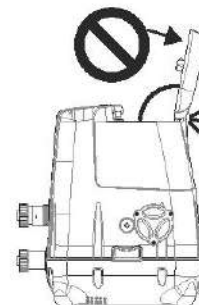
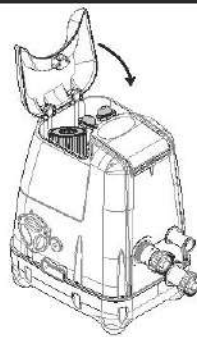
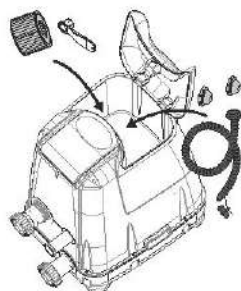
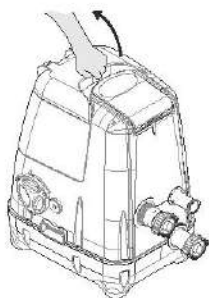
<p>1.</p>	<p>2.</p>	<p>3.</p> <p>3 secondi per lo sblocco</p> <p>Gonfiare per 5 min.</p> <p>Premere per 2 secondi.</p> <p>0,08 Bar (1,2 PSI)</p> <p>Per interrompere il gonfiaggio.</p>	
<p>4.</p> <p>Gonfiare per 2 min.</p>	<p>5.</p>	<p>6.</p>	
<p>7.</p>	<p>8.</p>	<p>9.</p>	<p>10.</p>

MONTAGGIO PER PALM SPRINGS HYDROJET (N. 54144)

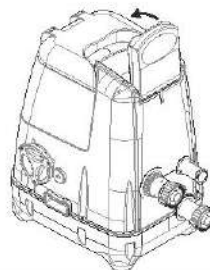
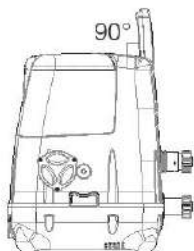
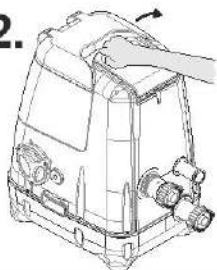
<p>1.</p>	<p>2.</p>	<p>Pre-gonfiare per 7 min.</p> <p>Nota: Il tempo di funzionamento del motore non deve superare i 20 minuti.</p>	
<p>3. Continuare a gonfiare la piscina con la pompa a mano</p> <p>0,08 Bar (1,2 PSI)</p>	<p>4.</p> <p>Gonfiare per 3 min.</p>	<p>5.</p>	
<p>6.</p>	<p>7.</p>	<p>8.</p>	<p>9.</p>

USO

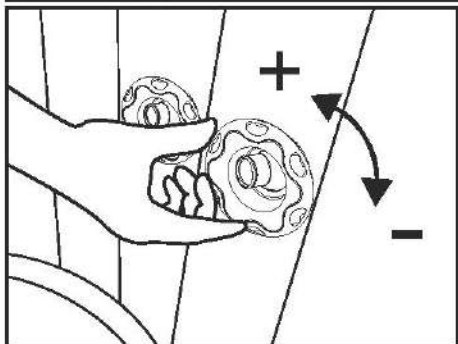
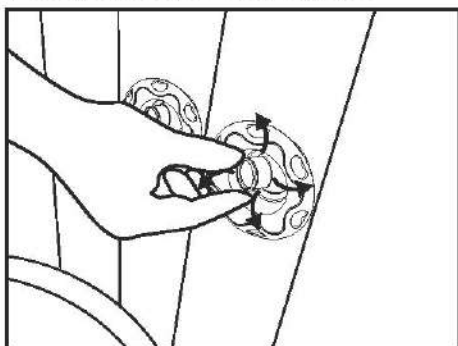
1.



2.

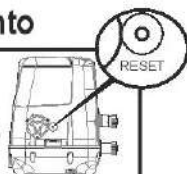


3. Regolazione dell'ugello



5. Reset del riscaldamento

Quando si usa la piscina Lay-Z-Spa per la prima volta, o dopo un lungo periodo di inattività, assicurarsi di premere il pulsante di reset sulla pompa con un oggetto piccolo e sottile.



PULSANTE DI RESET ISTRUZIONI IMPORTANTI PER L'USO

Se la temperatura indicata sul pannello di controllo (o la temperatura dell'acqua) non cambia 4-5 ore dopo l'attivazione dell'impianto di riscaldamento, premere il pulsante RESET con un oggetto sottile e riavviare l'impianto di riscaldamento. **IMPORTANTE:** l'impianto di riscaldamento non funziona se la temperatura esterna è superiore a 40 °C (104 °F) o se la piscina Lay-Z-Spa è esposta alla radiazione diretta del sole. In queste condizioni, attendere un'ora del giorno più fresca, premere il PULSANTE RESET con un oggetto sottile e riavviare l'impianto di riscaldamento. Questa operazione deve essere ripetuta ogni volta che la pompa si trova nelle condizioni sopra descritte.

4. Istruzioni per il sistema Cloratore a sale



NOTA: per utilizzare il sistema Cloratore a sale, aggiungere sale nell'acqua attenendosi ai seguenti passaggi.

- (1). Accendere il sistema Hydrojet per avviare la circolazione dell'acqua.
- (2). Tenere spento il sistema Cloratore a sale.
- (3). Aggiungere 2 kg / 4,4 lbs di sale nella piscina gradualmente, utilizzare solo cloruro di sodio (NaCl) che sia puro almeno al 99,9% o palline di sale per il condizionamento dell'acqua (sale evaporato compresso, il cui scioglimento richiede più tempo). Mantenere in funzione l'HydroJet System per 5 min.
- (4). Quando tutto il sale sarà sciolto, accendere il sistema Cloratore a sale e impostare la durata di funzionamento (fare riferimento alle istruzioni del pulsante per il sistema Cloratore a sale).

NOTA: fissare la copertura alla piscina durante il processo di clorazione.

E11 Aggiungere sale se la sua concentrazione è troppo bassa

Se la quantità di sale aggiunto non è sufficiente, il pannello visualizza il codice di errore "E11".

- (1). Scollegare e ricollegare la piscina, quindi premere "Reset".
- (2). Accendere il sistema HydroJet.
- (3). Aggiungere gradualmente e lasciare sciogliere 0,5 kg/1,1 lbs di sale.
- (4). Avviare il sistema Cloratore a sale.
- (5). Se il codice "E11" continua a essere visualizzato, seguire i passaggi sopra descritti fino alla scomparsa del codice di errore "E11".

E10 Rimuovere sale se la sua concentrazione è troppo elevata

Se la quantità di sale aggiunto è eccessiva, il pannello visualizza il codice di errore "E10".

- (1). Scollegare la piscina.
- (2). Svuotare e riempire nuovamente d'acqua circa il 20% della piscina.
- (3). Avviare il sistema Cloratore a sale.
- (4). Se il codice "E10" continua a essere visualizzato, seguire i passaggi sopra descritti fino alla scomparsa dell'allarme "E10".

- A** Pulsante di blocco/sblocco
La pompa è dotata di una funzione di blocco automatico dopo 5 minuti. La luce LED si spegne quando la pompa è bloccata (nessuna funzione è attiva). Per sbloccare o sbloccare la pompa, tenere il dito sul pulsante di blocco/blocco per tre secondi.
- B** Pulsante del sistema Lay-Z-Massage (per Hydro-Jet Pro)
Utilizzare questo pulsante per attivare il sistema di massaggio, che è dotato di una funzione di spegnimento automatico dopo 30 minuti. La luce sopra il pulsante Lay-Z-Massage System diventa rossa all'attivazione.

IMPORTANTE: non avviare il sistema Lay-Z-Massage quando è fissata la copertura. L'aria può accumularsi all'interno della piscina e provocare danni irreparabili alla copertura e lesioni personali.
NOTA: i sistemi di riscaldamento e massaggio funzionano insieme per offrire un massaggio caldo.

- C** Pulsante del sistema HydroJet
Questo pulsante accende e spegne la pompa dell'acqua. La luce sopra il pulsante del sistema HydroJet diventa rossa quando viene attivato.
Nota: il sistema si spegnerà automaticamente dopo un'ora.
Nota: non fare mai funzionare a secco il sistema HydroJet.

- D** Pulsante di riscaldamento
Utilizzare questo pulsante per attivare l'impianto di riscaldamento. Quando la luce sopra il pulsante di riscaldamento è rossa, l'impianto di riscaldamento è attivato. Quando la luce è verde, l'acqua ha raggiunto la temperatura impostata e l'impianto di riscaldamento è a riposo.
NOTA: attivando l'impianto di riscaldamento, il sistema di filtraggio si avvia automaticamente.
NOTA: dopo aver spento l'impianto di riscaldamento, il sistema di filtraggio continua a funzionare.

- E** Pulsante Filtro dell'acqua
Questo pulsante accende e spegne la pompa del filtro. La luce sopra il pulsante Filtro dell'acqua diventa rossa quando viene attivato.
NOTA: la funzione integrata di trattamento delle acque dure si avvia automaticamente.

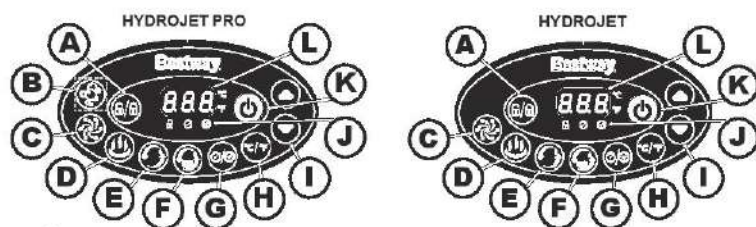
- F** Pulsante del sistema Cloratore a sale
Utilizzare questo pulsante per avviare il sistema Cloratore a sale e impostare la durata di funzionamento. È possibile impostare la durata di funzionamento da 3 a 5 a 8 ore premendo il pulsante del sistema Cloratore a sale. Dopo aver impostato la durata di funzionamento, il sistema Cloratore a sale si avvia automaticamente.
NOTA: durante il processo di clorazione, non premere nessun pulsante sul pannello e fissare la copertura alla piscina. È possibile reimpostare la durata di funzionamento premendo il pulsante del sistema Cloratore a sale.
NOTA: verificare regolarmente l'acqua e assicurarsi che il livello di cloro libero sia compreso tra 2 e 4 ppm.

- G** ISTRUZIONI PER IL pulsante Timer risparmio energetico
Si tratta di una nuova funzione, ideata per contribuire a risparmiare energia impostando tempo e durata del ciclo di riscaldamento per la piscina. In questo modo, sarà possibile utilizzare la piscina quando lo si desidera, senza dover lasciare ogni volta il riscaldatore acceso.

- FASE 1:** Impostare la durata del riscaldamento
1. Premere il pulsante fino a quando il LED non inizia a lampeggiare.
2. Premere il pulsante per regolare la durata del riscaldamento (da 1 a 48 ore).
3. Premere nuovamente il pulsante per confermare la durata del riscaldamento.
FASE 2: Impostare il numero di ore DA ADESSO fino al momento di attivazione del riscaldatore
1. Dopo aver impostato la durata del riscaldamento, il LED inizia a lampeggiare.
2. Premere il pulsante per regolare le ore fino al momento di attivazione (da 0 a 99 ore).
3. Premere nuovamente il pulsante o semplicemente non toccare nulla per 10 secondi per confermare l'impostazione. Si accenderà la luce LED e inizierà il conto alla rovescia per l'attivazione del riscaldatore.

Per modificare le impostazioni del timer: Premere il pulsante e utilizzare il pulsante per regolare.

Cancellare l'impostazione: Premere il pulsante per 2 secondi.



NOTA: dopo aver regolato le impostazioni, lo schermo mostra la temperatura e l'ora corrente alternativamente.
NOTA: l'intervallo di regolazione del timer (tempo in cui il riscaldatore è acceso) può essere impostato da 1 a 48 ore; quello del tempo di avvio differito (il numero di ore DA ADESSO fino all'avvio del riscaldatore) può essere impostato da 0 a 99 ore. Se il timer è impostato su 0, la funzione Timer non è attivata.
Nota che l'impostazione del timer è valida per un solo utilizzo - l'utente imposta la durata del ciclo di riscaldamento e le ore di avvio differito da adesso. Il timer NON si ripete fino al reset.

- H** Pulsante Celsius/Fahrenheit
 È possibile visualizzare la temperatura in gradi Celsius o Fahrenheit.

- I** Pulsanti di regolazione della temperatura
 Premendo i pulsanti di aumento o diminuzione della temperatura il LED inizia a lampeggiare. Quando lampeggia è possibile regolare l'impostazione della temperatura desiderata. Tenendo premuti questi pulsanti i valori aumenteranno o diminuiranno rapidamente. La nuova impostazione della temperatura desiderata rimarrà sul display a LED per 3 secondi affinché si confermi il nuovo valore.

NOTA: la temperatura predefinita è 35°C (95°F).
NOTA: l'intervallo di regolazione della temperatura va da 20 °C (68 °F) a 40 °C (104 °F).

- J** LED del Timer risparmio energetico
 Il LED lampeggiante indica che si sta impostando la durata del riscaldamento. La luce si accende quando il riscaldamento inizia a funzionare.
 Il LED lampeggiante indica che si sta impostando il numero di ore A PARTIRE DA ORA all'attivazione del riscaldatore. Quando la luce è accesa e fissa, la funzione Timer risparmio energetico è impostata.

- K** Pulsante di accensione/spengimento
 Premere il pulsante per due secondi per attivare i pulsanti sul pannello di controllo, la luce diventa verde. Tenere premuto questo pulsante per due secondi per disattivare tutte le funzioni attualmente attive.

- L** Display a LED
 Una volta acceso, il LED visualizza automaticamente la temperatura corrente dell'acqua.
 Dopo 72 ore di filtrazione (senza usare la funzione Timer risparmio energetico) la pompa si arresta e la scritta "End" (Fine) con la temperatura corrente dell'acqua inizia a lampeggiare. Quando la pompa è in standby, le funzioni di riscaldamento e di filtraggio dell'acqua sono disabilitate. Per riattivare la pompa, tenere premuto per 3 secondi il pulsante di blocco/blocco.

NOTA: la velocità di riscaldamento dell'acqua può variare nelle seguenti condizioni:
- Quando la temperatura esterna è inferiore ai 15 °C (59 °F).
- Se la copertura non è in posizione quando la funzione di riscaldamento è attivata.
NOTA: Per visualizzare la temperatura dell'acqua, mettere in funzione il sistema filtrante per almeno un minuto. La temperatura dell'acqua misurata da un termometro esterno può differire dalla temperatura visualizzata sul pannello della piscina a causa delle diverse posizioni degli strumenti di misura.

Allarmi

Cause	Motivi	Soluzioni
E01 I sensori del flusso d'acqua funzionano senza bisogno di premere il pulsante del filtro o il pulsante di riscaldamento.	1. Gli indicatori dei sensori del flusso d'acqua non sono in posizione corretta. 2. I sensori del flusso d'acqua sono danneggiati.	1. Scollegare la pompa, dare piccoli colpi alla parte laterale della pompa con forza (ma non con violenza) e ricollegarla. 2. Rivolgersi all'assistenza post-vendita Bestway locale per ricevere istruzioni.
E02 Dopo l'avvio o in fase di filtraggio e/o riscaldamento, i sensori del flusso d'acqua non rilevano il flusso dell'acqua.	1. Non sono stati rimossi i due tappi di arresto all'interno della piscina. 2. Le cartucce del filtro sono sporche. 3. Azionare il sistema filtrante o di riscaldamento e collocare una mano davanti al tubo di scarico all'interno della piscina per controllare se l'acqua sta uscendo. a. Se non esce acqua, la pompa idrica è danneggiata. b. L'acqua esce ma viene visualizzato l'allarme che indica che i sensori del flusso dell'acqua sono danneggiati.	1. Rimuovere i due tappi di arresto prima di accendere l'impianto di riscaldamento. Fare riferimento alla sezione del manuale utente relativa al montaggio. 2. Rimuovere il filtro dall'interno della piscina e premere il pulsante del filtro o del riscaldamento. Se non viene visualizzato alcun allarme, pulire o sostituire le cartucce del filtro e installare il set filtrante all'interno della piscina. 3. Rivolgersi all'assistenza post-vendita Bestway locale per ricevere istruzioni.
E03 Il termometro della pompa indica una temperatura dell'acqua inferiore a 4 °C (40°F).	1. La temperatura dell'acqua è inferiore a 4 °C (40°F). 2. Se la temperatura dell'acqua è superiore a 7 °C (44,6°F), il termometro della pompa è danneggiato.	1. La piscina non è progettata per il funzionamento con temperature dell'acqua inferiori a 4 °C (40°F). Scollegare la pompa e riavviarla solo quando la temperatura dell'acqua raggiunge 6 °C (43°F). 2. Rivolgersi all'assistenza post-vendita Bestway locale per ricevere istruzioni.
E04 Il termometro della pompa indica una temperatura dell'acqua superiore a 50 °C (122°F).	1. La temperatura dell'acqua è superiore a 50 °C (122°F). 2. Se la temperatura dell'acqua è inferiore a 45 °C (113°F), il termometro della pompa è danneggiato.	1. La piscina non è progettata per il funzionamento con temperature dell'acqua superiori a 40 °C (104°F). Scollegare la pompa e riavviarla solo quando l'acqua raggiunge una temperatura inferiore o uguale a 38 °C (100°F). IMPORTANTE: prima di riavviare la pompa, premere il pulsante di reset della pompa stessa. 2. Rivolgersi all'assistenza post-vendita Bestway locale per ricevere istruzioni.
E05 Problemi di collegamento del termometro della pompa.	1. I connettori del termometro della pompa non funzionano correttamente. 2. Il termometro della pompa è danneggiato.	Rivolgersi all'assistenza post-vendita Bestway locale per ricevere istruzioni.
E08 Problema dell'interruttore termico di reset manuale.	L'interruttore termico di reset manuale è scattato.	1. Scollegare la pompa e premere il pulsante di reset, quindi ricollegare la pompa. 2. Se l'allarme non si disattiva, consultare la sezione PULSANTE DI RESET del manuale. 3. Rivolgersi all'assistenza post-vendita Bestway locale per ricevere istruzioni.
E09 104°C (219°F) Il fusibile è guasto.	Il fusibile è scollegato.	Rivolgersi all'assistenza post-vendita Bestway locale per ricevere istruzioni.
E10 Allarme sale elevato.	È stato aggiunto troppo sale o è evaporata troppa acqua.	1. Seguire le istruzioni nelle parti in funzione per eliminare il sale. 2. Rivolgersi all'assistenza post-vendita Bestway locale per ricevere istruzioni.
E11 Allarme sale basso.	La quantità del sale è insufficiente per sanificare.	1. Seguire le istruzioni nelle parti in funzione per aggiungere il sale all'acqua. 2. Rivolgersi all'assistenza post-vendita Bestway locale per ricevere istruzioni.
E12 Perdita d'acqua nella pompa.	Il sistema ha rilevato una perdita d'acqua nella pompa.	Rivolgersi all'assistenza post-vendita Bestway locale per ricevere istruzioni.
E13 Linea del segnale scollegata.	La linea del segnale tra il pannello di controllo e la scheda di alimentazione non è collegata correttamente.	Rivolgersi all'assistenza post-vendita Bestway locale per ricevere istruzioni.

MANUTENZIONE

NOTA: di tanto in tanto sarà necessario gonfiare ulteriormente la piscina. Le variazioni di temperatura dal giorno alla notte modificano la pressione della piscina e possono sgonfiarla leggermente. Seguire le istruzioni di montaggio e svuotare l'acqua dalla piscina prima di gonfiarla alla pressione necessaria.

ATTENZIONE: ACCERTARSI CHE LA POMPA SIA SCOLLEGATA PRIMA DI EFFETTUARE OPERAZIONI DI MANUTENZIONE DELLA PISCINA.

Manutenzione della cartuccia del filtro

NOTA: per garantire che l'acqua della piscina rimanga pulita, controllare e pulire le cartucce del filtro seguendo i passaggi indicati di seguito.

NOTA: si consiglia di sostituire le cartucce del filtro ogni settimana. Se le cartucce del filtro sono scolorite e rimangono macchiate devono essere sostituite.

Manutenzione dell'acqua

È necessario mantenere l'acqua della piscina pulita e chimicamente equilibrata. A tale scopo non è sufficiente pulire la cartuccia del filtro. Osservare le raccomandazioni riportate di seguito:



1. Utilizzare il sistema Cloratore a sale integrato regolarmente. L'acqua salata della piscina viene fatta passare attraverso la cella elettrolitica del cloratore per produrre cloro che viene immediatamente dissolto in acqua. Il cloro inizia immediatamente a distruggere batteri e alghe e ossida gli altri materiali organici.

Al primo utilizzo, si consiglia di impostare il tempo di funzionamento su 8 ore con acqua dolce e utilizzare una striscia di test per verificare che il cloro libero sia tra 2 e 4 ppm. Aumentare il tempo di funzionamento se la temperatura dell'acqua è elevata o se la piscina è scoperta e utilizzare il sistema Cloratore ogni 24 ore se la piscina è in uso; il tempo di funzionamento dipende dai risultati del test e dalla frequenza di utilizzo della piscina.

NOTA: al primo utilizzo del sistema Cloratore verificare la concentrazione di cloro libero due volte al giorno. Quando la concentrazione di cloro libero si stabilizza, eseguire il test una volta alla settimana per verificare che il cloro libero sia tra 2 e 4 ppm.

NOTA: non utilizzare la piscina quando la concentrazione di cloro libero supera 4 ppm.

2. Utilizzare prodotti chimici per piscine per mantenere la chimica dell'acqua, dispensare pastiglie di cloro o bromo (non usare granuli) con il galleggiante chimico.

Utilizzo di tavolette chimiche (non incluse)

(Riferimento: Acido tricloroisocianurico 3-6 g)



Utilizzo di liquido chimico (non incluso)

(Fare riferimento alle istruzioni dei prodotti chimici liquidi acquistati)



L'acqua deve essere cambiata ogni 3 giorni circa o meno di frequente con una manutenzione chimica corretta. La qualità dell'acqua è influenzata dalla frequenza d'uso, dagli utenti della piscina e dalla manutenzione generale.

NOTA: prima di utilizzare la Lay-Z-Spa si consiglia di fare una doccia. Prodotti cosmetici, lozioni e altri residui sulla pelle possono degradare rapidamente la qualità dell'acqua.

NOTA: rimuovere il galleggiante chimico dalla piscina durante l'uso della stessa.

IMPORTANTE: dopo aver effettuato la manutenzione chimica e prima di usare la piscina, utilizzare un kit di test (non incluso) per testare la chimica dell'acqua. Si consiglia di mantenere i valori dell'acqua come indicato nella seguente tabella.

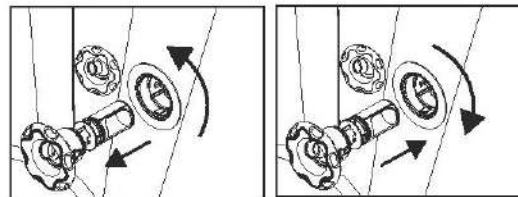
pH	Alcalinità totale	Cloro libero
7,4-7,6	80-120 ppm	2-4 ppm

NOTA: danni causati da squilibri chimici non sono coperti dalla garanzia. I prodotti chimici per piscine sono potenzialmente tossici e devono essere maneggiati con attenzione. Esistono seri rischi per la salute dovuti all'inhalazione di vapori chimici e all'etichettatura e stoccaggio errati dei contenitori di sostanze chimiche. Per informazioni sulla manutenzione chimica, rivolgersi al fornitore di accessori per piscine locale. Attenersi scrupolosamente alle istruzioni fornite dal produttore della sostanza chimica. Danni derivanti da un uso improprio di prodotti chimici e da una cattiva gestione dell'acqua della piscina non sono coperti dalla garanzia.

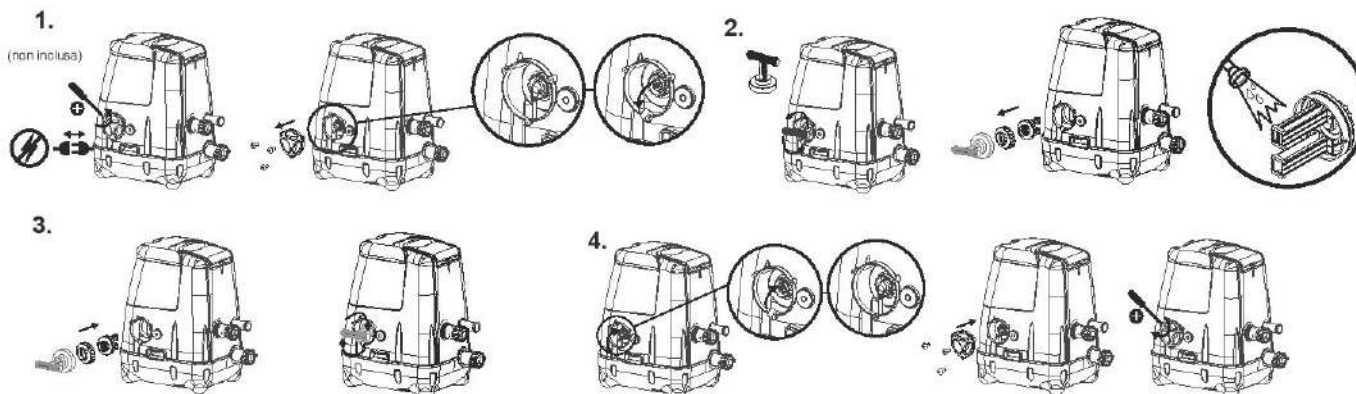
Manutenzione dell'ugello

1. Ruotare fino a udire un "click" ed estrarre l'ugello per rimuovere i detriti.

2. Inserire e ruotare in senso orario per reinstallarlo.



Manutenzione del sistema Cloratore a sale

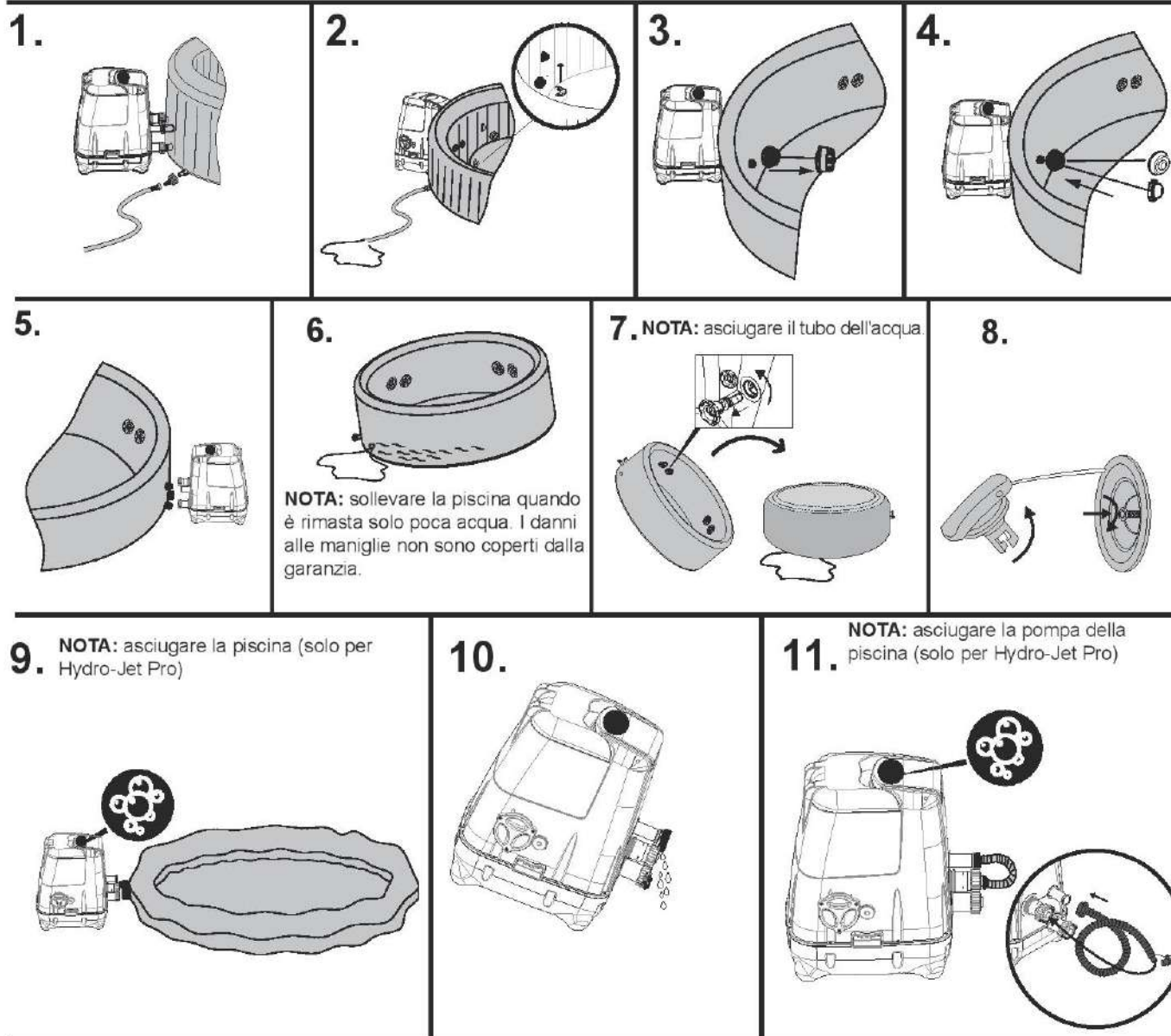


NOTA: se dopo il lavaggio rimangono depositi, collocare la cella elettrolitica in un contenitore, versare al suo interno aceto da cucina e lasciarvi immerse le piastre in titanio per circa 4 ore, poi lavarle nuovamente.

Ripetere l'operazione se necessario.

Svuotamento della piscina

NOTA: i disegni sono riportati solo a scopo illustrativo e potrebbero essere diversi dal prodotto. I disegni non sono in scala.



Pulizia della piscina

Residui di detersivo, solidi disciolti e sostanze chimiche possono accumularsi sulle pareti della piscina. Utilizzare acqua e sapone per pulire le pareti e risciacquare accuratamente.

NOTA: NON usare spazzole dure o detersivi abrasivi.

Riparazione della piscina

Per la copertura gonfiabile per piscina

Se la piscina è strappata o forata, utilizzare la toppa di riparazione a elevata resistenza in dotazione.

1. Pulire l'area da riparare.
2. Staccare attentamente la toppa.
3. Premere la toppa sull'area da riparare.
4. Attendere 30 minuti prima del gonfiaggio.

Per il rivestimento della piscina

Se la piscina è strappata o forata, utilizzare la toppa di riparazione in PVC in dotazione e della colla (non inclusa) attenendosi alla procedura seguente:

1. Pulire e asciugare l'area da riparare.
2. Tagliare la toppa in PVC in dotazione nella dimensione desiderata.
3. Utilizzare la colla (non inclusa) applicandola su uno dei lati della toppa, distribuendola in maniera uniforme.
4. Attendere 30 secondi e collocare la toppa con la colla sull'area danneggiata.
5. Appianare eventuali bolle d'aria intrappolate e premere saldamente per due minuti.
6. Attendere 30 minuti prima del gonfiaggio.
7. A questo punto, il prodotto può essere utilizzato nuovamente. Ripetere la procedura per riparare altre perdite.

Stoccaggio Lay-Z-Spa

Prima dello stoccaggio, assicurarsi che la piscina e la pompa siano completamente asciutte. Ciò è necessario per prolungare la vita della piscina. Si raccomanda di utilizzare la pompa per asciugare la piscina, la pompa e i tubi. Rimuovere i set filtranti e gettare via le cartucce dei filtri usate. Reinserrire i due tappi di arresto nelle valvole di ingresso e uscita della piscina. Si consiglia di conservare il prodotto nella confezione originale in un luogo fresco e privo di umidità.

NOTA: la plastica diventa fragile e soggetta a rottura se esposta a temperature sotto lo zero. Il congelamento può danneggiare gravemente la piscina. Una non corretta preparazione per l'inverno può invalidare la garanzia.



Smaltimento Significato del simbolo raffigurante un bidone della spazzatura sbarrato: non gettare le apparecchiature elettriche tra i rifiuti comuni, ma smaltirle nei centri di raccolta differenziata. Per informazioni sui sistemi di raccolta, rivolgersi al proprio Comune di residenza. Se le apparecchiature elettriche vengono gettate in discarica, la fuoriuscita di sostanze pericolose potrebbe inquinare le falde acquifere e penetrare nella catena alimentare, con gravi danni per la salute. Quando si sostituiscono le apparecchiature vecchie con le nuove il rivenditore è tenuto per legge a ritirare gratuitamente le vecchie per il corretto smaltimento.

RISOLUZIONE DEI PROBLEMI Bestway si impegna a fornire le piscine con il minor numero di difetti sul mercato. Per qualsiasi problema riscontrato, contattare Bestway o il proprio rivenditore autorizzato. Di seguito vengono presentati alcuni consigli utili per aiutare a diagnosticare e correggere i problemi più comuni.

Problemi	Cause probabili	Soluzioni
La pompa non funziona	<ul style="list-style-type: none"> - Assenza di energia elettrica - Circuiti di alimentazione danneggiati 	<ul style="list-style-type: none"> - Controllare la fonte di alimentazione elettrica - Rivolgersi all'assistenza post-vendita Bestway locale per ricevere istruzioni
La pompa non riscalda in modo adeguato	<ul style="list-style-type: none"> - La temperatura impostata è troppo bassa - Cartuccia del filtro sporca - È scattato l'interruttore termico - L'elemento riscaldante non funziona 	<ul style="list-style-type: none"> - Regolare il sistema di riscaldamento su una temperatura più alta (fare riferimento alla sezione Funzionamento della pompa) - Pulire/sostituire la cartuccia del filtro (fare riferimento alla sezione relativa alla pulizia e alla sostituzione della cartuccia del filtro) - Premere il pulsante di reset sulla pompa (fare riferimento alla sezione Funzionamento della pompa) - Rivolgersi all'assistenza post-vendita Bestway locale per ricevere istruzioni
Il sistema Lay-Z-Massage non funziona	<ul style="list-style-type: none"> - La pompa dell'aria si surriscalda - Il sistema Lay-Z-Spa Massage si arresta automaticamente - La pompa dell'aria è danneggiata 	<ul style="list-style-type: none"> - Scollegare la pompa e attendere due ore affinché si raffreddi. Inserire la spina e premere il pulsante del sistema Lay-Z-Massage - Premere il pulsante del sistema Lay-Z-Massage per riattivarlo - Rivolgersi all'assistenza post-vendita Bestway locale per ricevere istruzioni
Gli adattatori della pompa non sono a livello con quelli della piscina	<ul style="list-style-type: none"> - È normale perché il PVC tende a cambiare forma 	<ul style="list-style-type: none"> - Innalzare la pompa con un pezzo di legno o un altro tipo di materiale isolante per collocare gli adattatori della pompa a livello con quelli della piscina
Perdita della piscina	<ul style="list-style-type: none"> - La piscina è strappata o forata - La valvola dell'aria è allentata 	<ul style="list-style-type: none"> - Utilizzare la toppa di riparazione fornita - Utilizzare acqua e sapone e coprire la valvola dell'aria per verificare se ci sono perdite, in tal caso, utilizzare la chiave in dotazione per fissare la valvola dell'aria seguendo questi passaggi: <ol style="list-style-type: none"> 1. Sgonfiare la piscina. 2. Con una mano trattenere la parte posteriore della valvola dell'aria dal lato interno della parete della piscina e ruotare la chiave in senso orario.
L'acqua non è pulita	<ul style="list-style-type: none"> - Tempo di filtraggio insufficiente - Cartuccia del filtro sporca - Impropria manutenzione dell'acqua - Il sistema di sanitizzazione non funziona - La piastra in titanio è stata rivestita - Il tempo di sanitizzazione non è sufficiente 	<ul style="list-style-type: none"> - Aumentare il tempo di filtraggio - Pulire o sostituire la cartuccia del filtro (fare riferimento alla sezione relativa alla pulizia e alla sostituzione della cartuccia del filtro) - Fare riferimento alle istruzioni del fabbricante del prodotto chimico - Controllare l'alimentazione o rivolgersi all'assistenza post-vendita Bestway locale per ricevere istruzioni - Pulire la piastra in titanio (fare riferimento alla sezione Manutenzione del sistema Cloratore a sale)
Test dell'interruttore differenziale non riuscito	La piscina è difettosa	Rivolgersi all'assistenza post-vendita Bestway locale e restituire la piscina.
Il sistema HydroJet non funziona	<ul style="list-style-type: none"> - La pompa dell'acqua si surriscalda - La pompa dell'acqua è rotta 	<ul style="list-style-type: none"> - Scollegare la pompa e attendere due ore affinché si raffreddi. - Collegare e riprovare - Rivolgersi all'assistenza post-vendita Bestway locale per ricevere istruzioni
Il pannello di controllo non funziona	<ul style="list-style-type: none"> - Il pannello di controllo è dotato di una funzione di blocco automatico che si attiva dopo 5 minuti di inattività. Sul display a LED viene visualizzata un'icona  se l'icona di blocco è evidenziata, il pannello di controllo è bloccato - Il pannello di controllo non è attivato 	<ul style="list-style-type: none"> - Per sbloccare il pannello di controllo, tenere premuto per 3 secondi il pulsante  - Se il pannello di controllo non si sblocca, riavviare la pompa scollegandola e ricollegandola. - Premere il pulsante di accensione/spengimento per 2 secondi - Se il problema non si risolve, rivolgersi all'assistenza post-vendita Bestway locale per ricevere istruzioni.
Che tipo di sostanze chimiche occorre utilizzare per la manutenzione dell'acqua?	Per informazioni sulla manutenzione chimica, rivolgersi al fornitore di sostanze chimiche locale. Attenersi scrupolosamente alle istruzioni fornite dal produttore della sostanza chimica.	
È presente una perdita d'acqua dagli adattatori tra la pompa e la piscina	Inserire i tre tappi di arresto sulle aperture della piscina per evitare che l'acqua fuoriesca, quindi scollegare la pompa. Accertarsi che le guarnizioni siano montate correttamente all'interno degli adattatori della pompa. Se le guarnizioni mancano o non sono montate correttamente, rivolgersi all'assistenza post-vendita Bestway locale per ricevere istruzioni. Se le guarnizioni sono montate correttamente, ricollegare la pompa alla piscina e stringere con forza gli adattatori con le mani.	

Garanzia limitata del produttore BESTWAY®

Il prodotto acquistato è coperto da una garanzia limitata. Bestway® garantisce che il prodotto è privo di difetti di fabbrica; in caso di difetti, il prodotto verrà sostituito.

Per utilizzare la garanzia, compilare questo modulo e inviarlo assieme a una copia della ricevuta d'acquisto al centro post-vendita Bestway locale. Prima di inviare documenti, rivolgersi al centro post-vendita Bestway locale, che fornirà tutte le istruzioni necessarie per l'inoltro di eventuali reclami. Bestway® non sostituisce i prodotti se ritiene che siano stati utilizzati in maniera non corretta o non conforme alle istruzioni riportate nel manuale d'uso.

La garanzia Bestway copre i difetti di fabbrica rilevati quando si toglie il prodotto dalla confezione o durante l'uso, come prescritto nel manuale d'uso. La presente garanzia è valida solo se i prodotti non hanno subito modifiche da parte di terzi. Conservare e utilizzare il prodotto in conformità alle raccomandazioni tecniche.

La garanzia non copre danni causati da errato/cattivo utilizzo o negligenza, inclusi, ad esempio, urti, incendi, tensioni errate, esposizione a calore eccessivo, installazione non corretta, errori di cablaggio o di controllo e stoccaggio inadeguato.

Le riparazioni e le sostituzioni non implicano un prolungamento della durata della garanzia. La data di inizio validità della garanzia corrisponde alla data di acquisto riportata sulla fattura o sulla ricevuta di acquisto originale.

Scegliere la PISCINA



Palm Springs



Hawaii

A: Assistenza Bestway®

Data di acquisto: _____

DATA: _____

Codice cliente: _____

FAX/EMAIL/TEL.: Fare riferimento ai dati relativi al proprio paese, riportati sul retrocopertina o reperibili sul sito Web Bestway:

www.bestwaycorp.com

Fornire il proprio indirizzo completo. **Nota:** Se si fornisce un indirizzo incompleto, la spedizione potrebbe subire ritardi.

Bestway si riserva il diritto di addebitare i costi di riconsegna di merce non recapitata per cause imputabili al destinatario.

INFORMAZIONI INDISPENSABILI – INDICARE L'INDIRIZZO DI SPEDIZIONE

Nome: _____ Indirizzo: _____

Codice postale: _____ Rivenditore: _____

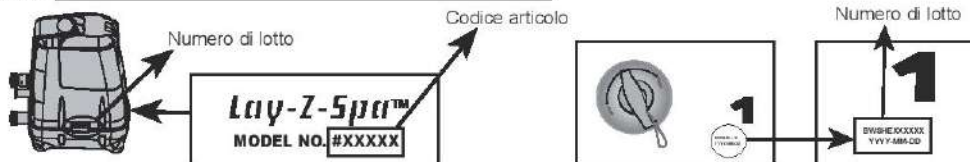
Paese: _____ Città: _____

Cellulare: _____ Telefono: _____

Fax: _____ E-mail: _____

Numero di lotto POMPA: _____ Numero di lotto PISCINA: _____

Codice articolo POMPA: _____



I disegni sono riportati solo a scopo illustrativo e non sono in scala.

Descrizione del problema

- Perdite della piscina Sistema di filtraggio dell'acqua guasto Sistema di riscaldamento guasto
- Il pannello di controllo segnala un errore che non può essere risolto Sistema Lay-Z-Massage guasto
- Perdite della pompa Perdite dell'adattatore Componenti mancanti: Utilizzare il codice delle parti mancanti, reperibile nel manuale per l'utente.
- Altro (specificare) _____

IMPORTANTE: VERRANNO SOSTITUITI SOLO I COMPONENTI DANNEGGIATI, NON TUTTO IL PRODOTTO.

Bestway si riserva il diritto di richiedere prove fotografiche o l'invio dei componenti difettosi per ulteriori verifiche.

Per ottenere la migliore assistenza possibile, occorre fornire tutte le informazioni.

PER CONSULTARE LE DOMANDE FREQUENTI, SCARICARE I MANUALI, VISUALIZZARE I VIDEO O REPERIRE RICAMBI, VISITATE IL NOSTRO SITO WEB www.bestwaycorp.com.
I VIDEO SONO DISPONIBILI ANCHE SUL NOSTRO CANALE BESTWAY SU YOUTUBE: www.youtube.com/user/BestwayService

Bestway

TABLE DES MATIÈRES

1. Instructions de sécurité	P94
2. Caractéristiques	P97
3. Assemblage	P99
4. Fonctionnement	P101
5. Entretien	P103
6. Dépannage	P105
7. Garantie	P106



INSTRUCTIONS DE SÉCURITÉ

Lors de l'installation et de l'utilisation de cet équipement électrique, des précautions de base doivent toujours être respectées, comprenant les suivantes :

IMPORTANTES INSTRUCTIONS DE SÉCURITÉ - LIRE ET SUIVRE TOUTES LES INSTRUCTIONS.

AVERTISSEMENT :

- Le spa doit être alimenté par un transformateur d'isolation ou alimenté par un dispositif de courant résiduel (RCD) ayant un courant de fonctionnement résiduel nominal ne dépassant pas 30 mA.
- La pompe doit être testée avant chaque utilisation. Pour la tester, suivez les instructions dans la section « Essai de la pompe » de ce manuel.
- Si le cordon d'alimentation est endommagé, il doit être remplacé par le fabricant, l'agent de service ou des personnes similaires qualifiées pour éviter un danger.
- Pour réduire le risque de choc électrique, ne pas utiliser la rallonge pour connecter l'appareil au réseau électrique ; fournir une prise correctement située.
- Aucune partie de l'appareil doit être située au-dessus du bain pendant l'utilisation.
- Les pièces contenant des parties sous tension, à l'exception des pièces fournies avec la tension de sécurité extra-basse ne dépassant pas 12 V, doivent être inaccessibles aux personnes présentes dans la piscine thermique ; les pièces comprenant des composants électriques, à l'exception des dispositifs de contrôle à distance, doivent être situés ou fixés de sorte qu'ils ne puissent pas tomber dans la piscine du spa.
- Le bouchon de la pompe doit être à plus de 3,5 m du spa.
- Il est nécessaire que la fiche soit accessible après l'installation de la station thermique.

ATTENTION : Afin d'éviter un risque dû à la remise à zéro par inadvertance de l'interrupteur thermique, cet appareil ne doit pas être alimenté par un dispositif de commutation externe, telle qu'une minuterie, ou connecté à un circuit qui est régulièrement activée et désactivée par l'utilitaire.

Après avoir utilisé votre spa pendant 3-5 ans, vous devez contacter votre technicien d'entretien local qualifié pour assurer la sécurité et la performance de la station thermique. Les principaux composants tels que l'élément chauffant, le moteur de soufflerie d'air et des soupapes de non-retour à l'intérieur de l'unité électrique doivent être vérifiés et remplacés (si nécessaire) par des professionnels.

Avertissement : Toujours garder le bouchon sec, brancher avec prise humide est totalement interdit !
Le spa doit être alimenté par la source d'alimentation mis à la terre.

- **POUR ÉVITER LES CHOC ÉLECTRIQUES, NE PAS UTILISER LE SPA QUAND IL PLEUT.**
- Ne jamais porter de lentilles de contact en étant dans le spa.
- Ne pas utiliser le spa pendant l'entretien chimique.
- La source d'alimentation sur le mur du bâtiment devrait être à plus de 4 m de la piscine et à une hauteur d'au moins 1,2 m.
- Aucune rallonge ne peut être utilisée.
- Ne pas brancher ou débrancher l'appareil avec les mains mouillées.
- Toujours débrancher l'appareil :
 - pendant les jours pluvieux
 - avant le nettoyage ou tout autre entretien
 - si vous le laissez sans surveillance pendant les vacances
- Le nettoyage et l'entretien de l'utilisateur doivent être effectués par un adulte de plus de 18 ans qui est familier avec le risque de choc électrique ;
- Lorsque l'appareil ne sera pas utilisé pendant une longue période, comme en hiver, le spa ou la piscine devra être démonté et entreposé à l'intérieur.
- **Attention :** Lire les instructions avant d'utiliser l'appareil et à chaque fois que l'appareil est installé ou remonter.
- Conserver en toute sécurité les instructions. Si le manuel d'instruction est manquant, veuillez contacter le fabricant ou télécharger une copie depuis le site www.bestwaycorp.com

- **Avertissement : Pour des raisons de sécurité électrique, un PRCD est incorporé dans le cordon d'alimentation. Si une fuite de courant de plus de 10 mA est détectée, l'appareil fonctionne et coupe l'alimentation électrique. Dans ce cas, veuillez débrancher et cesser d'utiliser le spa. Ne pas réinitialiser le produit par vous-même. Vous devez communiquer avec l'agent de service local pour vérifier et réparer le produit.**
- Cet appareil n'est pas destiné à être utilisé par des personnes (y compris les enfants) ayant des capacités physiques, sensorielles ou mentales réduites, ou le manque d'expérience et de connaissances, à moins qu'ils aient reçus une supervision ou des instructions concernant l'utilisation de l'appareil par une personne responsable de leur sécurité. Les enfants doivent être surveillés afin qu'ils ne jouent pas avec l'appareil. (pour un marché différent de celui de l'EU)
- Cet appareil peut être utilisé par des enfants âgés de 8 ans et plus et les personnes avec des capacités physiques, sensorielles ou mentales réduites ou un manque d'expérience et de connaissances, si elles ont reçus une supervision ou des instructions concernant l'utilisation de l'appareil d'une manière sûre et pour comprendre les dangers impliqués. Les enfants ne doivent pas jouer avec l'appareil. Le nettoyage et l'entretien de l'utilisateur ne doivent pas être effectué par des enfants sans surveillance. (pour le marché de l'EU)
- L'eau attire les enfants ; toujours fixer un couvercle du spa après chaque utilisation.
- Ne pas enterrer le cordon. Localiser le cordon pour réduire au minimum l'abus des tondeuses à gazon, des taille-haies, et d'autres équipements.
- Risque de noyade accidentelle. Une très grande prudence doit être exercée pour empêcher l'accès non autorisé aux enfants. Pour éviter les accidents, veiller à ce que les enfants ne puissent pas utiliser ce spa à moins qu'ils soient surveillés tout le temps.
- **RISQUE DE BLESSURE** Ne jamais utiliser le spa si les tuyaux d'entrée/sortie sont cassés ou manquants. Ne jamais tenter de remplacer les tuyaux d'entrée/de sortie. Toujours consulter votre centre de service après-vente local.
- **RISQUE DE CHOC ÉLECTRIQUE.** Installer à au moins 2 m de toutes les surfaces métalliques.
- **RISQUE DE CHOC ÉLECTRIQUE.** Ne jamais utiliser un appareil électrique lorsque vous vous trouvez dans votre spa ou lorsque votre corps est mouillé. Ne jamais placer un appareil électrique, comme une lumière, un téléphone, une radio, ou la télévision à moins de 2 m du spa.
- Pendant la grossesse, le trempage dans l'eau chaude peut causer des dommages au fœtus. Limiter l'utilisation à 10 mn à chaque fois.
- **POUR RÉDUIRE LE RISQUE DE BLESSURES :**
 - A. L'eau dans un spa ne doit jamais dépasser 40 °C (104 °F). La température de l'eau entre 38 °C (100 °F) et 40 °C (104 °F) est considérée comme sûre pour un adulte en bonne santé. Des températures plus basses sont recommandées pour les jeunes enfants et lorsque l'utilisation du spa dépasse 10 minutes.
 - B. Puisque les températures excessives ont un fort potentiel pour causer des dommages au fœtus durant les premiers mois de la grossesse, les femmes enceintes ou possiblement enceintes doivent limiter la température de l'eau thermique à 38 °C (100 °F).
 - C. Avant d'entrer dans un spa, l'utilisateur doit mesurer la température de l'eau avec un thermomètre précis puisque la tolérance du dispositif de régulation de la température de l'eau varie.
 - D. La consommation d'alcool, de drogues ou de médicaments avant ou pendant l'utilisation du spa peut entraîner une perte de connaissance avec la possibilité de noyade.
 - E. Les personnes obèses et les personnes ayant des antécédents de maladie cardiaque, d'hypotension ou d'hypertension artérielle, les problèmes du système circulatoire ou de diabète doivent consulter un médecin avant d'utiliser un spa.
 - F. Les personnes qui utilisent des médicaments devraient consulter un médecin avant d'utiliser un spa puisque certains médicaments peuvent induire la somnolence tandis que d'autres peuvent affecter le rythme cardiaque, la pression artérielle et la circulation.
- **POUR RÉDUIRE LE RISQUE DE BLESSURES :** Ne jamais verser de l'eau ayant une température supérieure à 40 °C (104 °F) directement dans le spa.
- La consommation d'alcool, de drogues ou de médicaments peut augmenter considérablement le risque d'hyperthermie fatale. Une hyperthermie se produit lorsque la température interne du corps atteint un niveau de plusieurs degrés supérieur à la température normale du corps de 37 °C (98,6°F). Les symptômes de l'hyperthermie comprennent une augmentation de la température interne du corps, des étourdissements, de la léthargie, de la somnolence et des évanouissements. Les effets de l'hyperthermie comprennent le défaut de percevoir la chaleur ; l'incapacité à reconnaître la nécessité de sortir du spa ou un bain à remous ; l'inconscience du danger imminent ; les dommages au fœtus chez les femmes enceintes ; l'incapacité physique de sortir du spa ou un bain à remous ; et l'inconscience qui entraîne le risque de noyade.
- Les installations électriques doivent suivre des règles nationales de câblage, consulter un électricien qualifié pour toute question.

CONSULTEZ VOTRE MÉDECIN POUR LES RECOMMANDATIONS.

ATTENTION :

- Le spa ne doit pas être mis en place ou laissé à des températures inférieures à 4 °C (40 °F).
- Ne pas utiliser le spa seul.
- Les personnes atteintes de maladies infectieuses ne doivent pas utiliser un spa.
- Ne pas utiliser le spa immédiatement après un exercice intense.
- Toujours entrer et sortir lentement et prudemment du spa. Les surfaces mouillées sont glissantes.
- Pour éviter d'endommager la pompe, le spa ne doit jamais être utilisé s'il n'est pas rempli d'eau.
- Quittez immédiatement le spa si l'utilisateur ne se sent pas bien ou s'il somnole.
- Ne jamais ajouter de l'eau à des produits chimiques. Toujours ajouter des produits chimiques à l'eau pour éviter les fumées fortes ou des réactions violentes qui peuvent terminer en pulvérisation de produits chimiques dangereux.
- En ce qui concerne les informations relatives au nettoyage, à l'entretien de l'eau, et à l'élimination de l'eau, veuillez voir la section « ENTRETIEN ».
- En ce qui concerne les informations relatives à l'installation, se référer au paragraphe ci-dessous du manuel.

REMARQUE :

- Veuillez examiner le matériel avant de l'utiliser. Notifier à Bestway à l'adresse du service clientèle figurant sur ce manuel pour toutes les pièces endommagées ou manquantes au moment de l'achat. Vérifiez que les composants de l'équipement représentent les modèles que vous aviez l'intention d'acheter.
- Ce produit n'a pas été conçu pour une utilisation commerciale

AVERTISSEMENT POUR POMPE À AIR ÉLECTRIQUE (Pour Palm Springs HydroJet) :

La pompe à air électrique ne fait pas partie du spa. Vous devez vous référer au manuel d'utilisation de la pompe à air électrique pour la sécurité.

La rallonge utilisée pour la pompe à air lors du gonflage de la piscine ne doit jamais être utilisée pour le spa.

Après l'inflation de la piscine, la pompe à air, ainsi que la rallonge doivent être débranchées du réseau d'alimentation et stockées dans un lieu en intérieur.

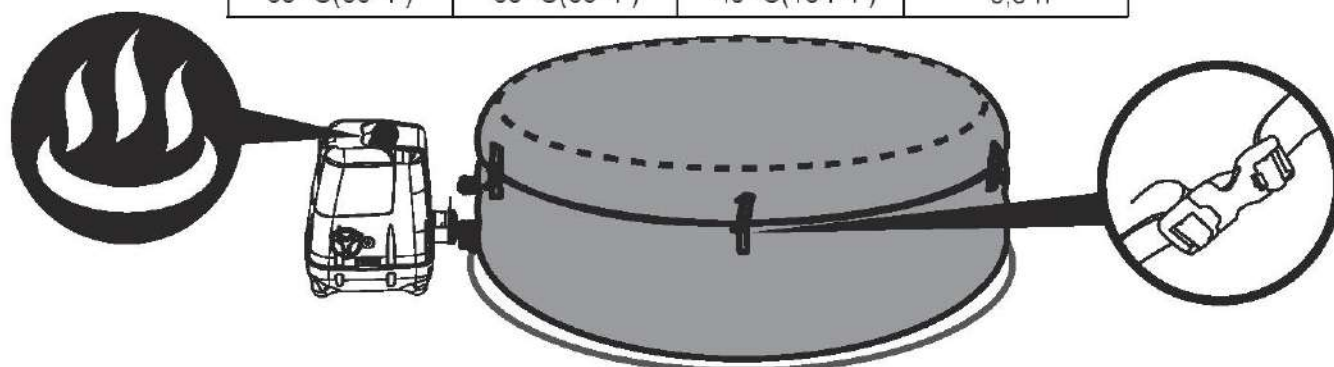
Le temps de fonctionnement du moteur ne doit pas dépasser 20 minutes

ATTENTION : POUR ÉVITER LES RISQUES DE CHOC ÉLECTRIQUE, NE PAS EXPOSER À L'EAU OU À LA PLUIE. UNIQUEMENT POUR UN USAGE DOMESTIQUE.

CONSERVER CES INSTRUCTIONS IMPORTANT !

Pour atteindre 40 °C (104 °F), la durée de chauffage requise est basée sur la température de l'eau de départ et la température ambiante, les données ci-dessous sont purement de référence. Pour afficher la température actuelle de l'eau, faire fonctionner le système de filtre pendant au moins une minute.

Température ambiante	Température de l'eau	Réglage de la température	Durée de chauffage
10 °C(50 °F)	10 °C(50 °F)	40 °C(104 °F)	18,5 h
15 °C(59 °F)	15 °C(59 °F)	40 °C(104 °F)	15 h
20 °C(68 °F)	20 °C(68 °F)	40 °C(104 °F)	11,5 h
25 °C(77 °F)	25 °C(77 °F)	40 °C(104 °F)	8,5 h
30 °C(86 °F)	30 °C(86 °F)	40 °C(104 °F)	5,5 h

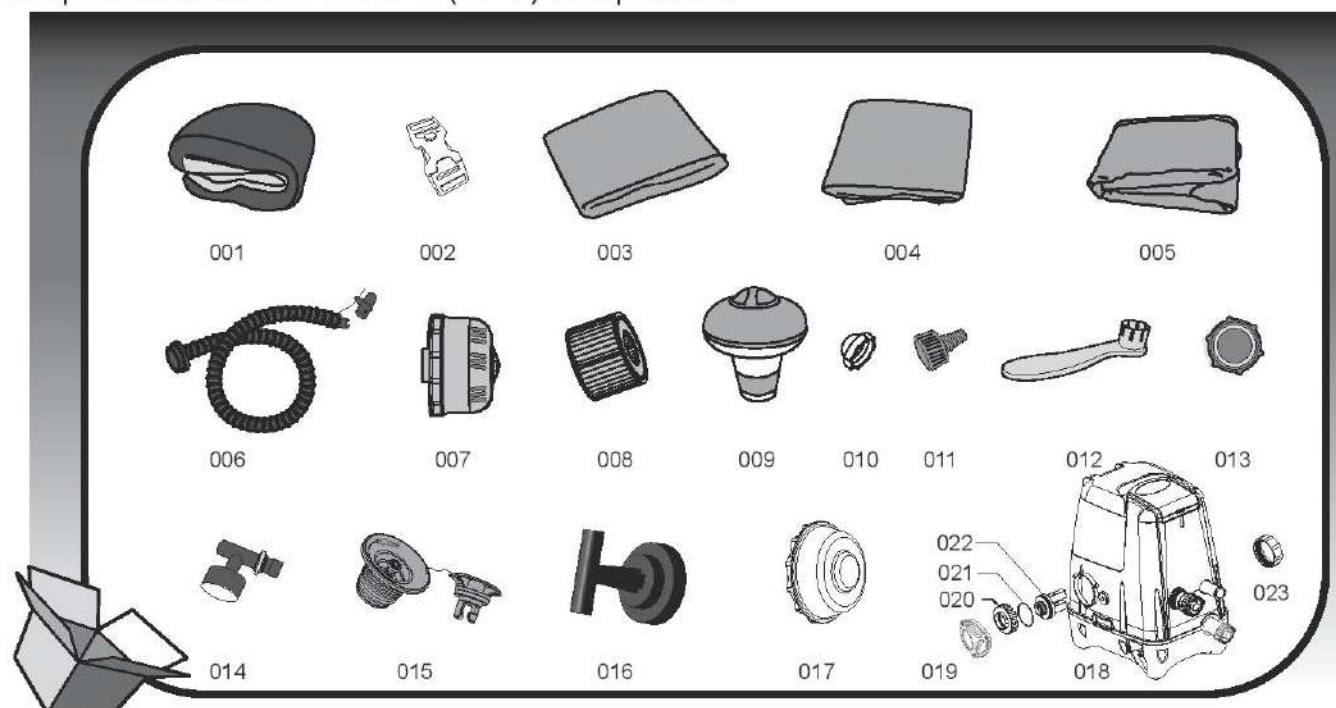


Assurez-vous de couvrir le SPA avec le couvercle SPA à chaque fois que la fonction de chauffage est activée. Quitter le SPA découvert fera augmenter la durée de chauffage nécessaire. Veuillez ne pas utiliser le SPA lorsque la température ambiante est inférieure à 4 °C (39 °F).

CARACTÉRISTIQUES DE LAY-Z-SPA™ HAWAII HYDROJET PRO (#54138)

Capacité :	4-6 Adultes	Soufflerie turbo de massage :	800 W	Pompe à jet :	1.200 W
Capacité de l'eau :	795 L (210 gal)	Élément chauffant :	2.000 W à 20 °C	Débit d'eau actuel :	1.325 L/h (350 gal/h)
Taille gonflé :	1,80 m x 1,80 m x 71 cm (71" x 71" x 28")	Pompe :	50 W Circulation Pompe de filtre	Taux de puissance :	220-240 V AC, 2.060 W à 20 °C
Poids rempli :	867 kg (1,911 Lb)	Capacités de température :	40 °C (104°F)	Pression d'utilisation :	1,2 PSI (0,08 bar)
Augmentation du taux de chaleur :	Environ 1,5-2 °C/h (3-4°F/h)	Busés à jet :	8 PCs	Système saltwater :	20 W

REMARQUE : Le taux de chauffage ci-dessus est en référence à un test de laboratoire avec une température ambiante de 25 °C (77 °F) et supérieure.

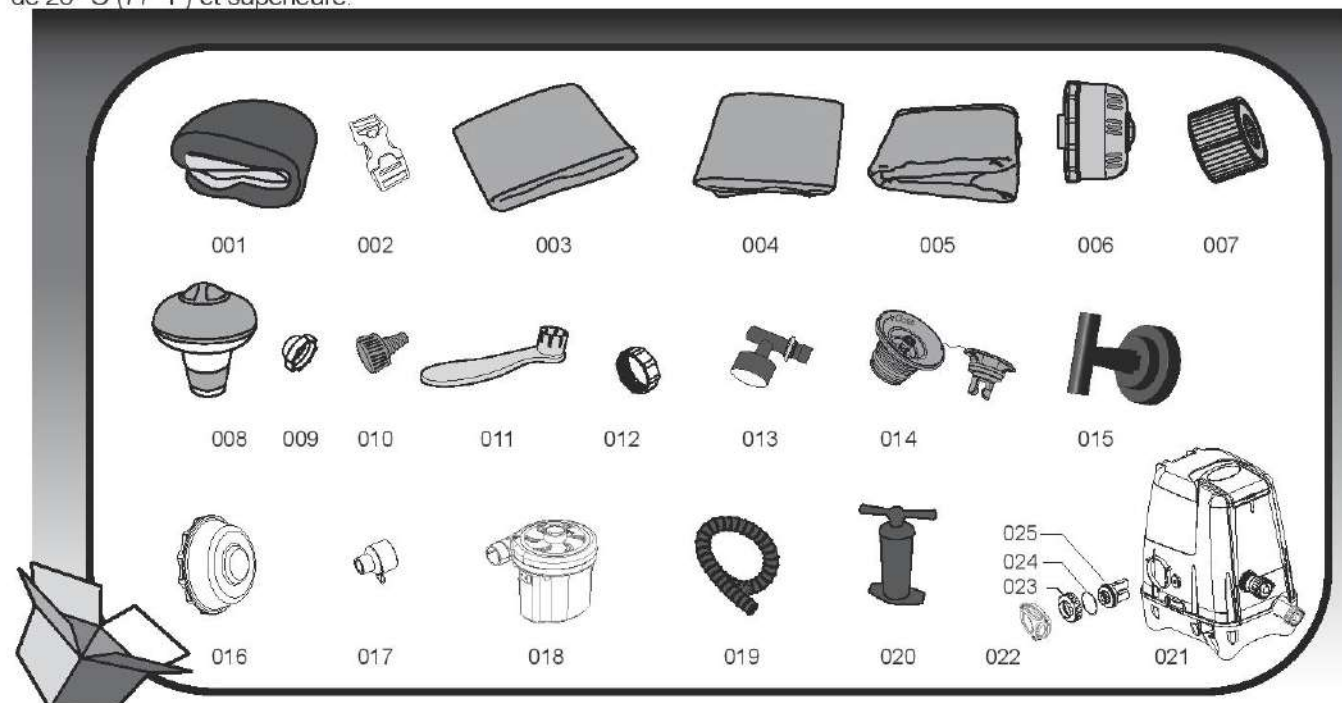


Pièces n°	Code de la pièce	Description	QTÉ
001	54138TASS17	Bâche de piscine	1
002	F6414ASS16	Boucle	8
003	P5511GASS17	Bâche en cuir factice	1
004	54138GASS17	Bâche gonflable	1
005	58371(H)S16	Tapis de sol	1
006	P6930	Tuyau de gonflage	1
007	P6653	Kit de filtres	1
008	58323	Cartouche du filtre	2
009	58426S17	Flotteur chimique	1
010	P6575	Obturateur (pour sortie du filtre)	1
011	P6H565	Adaptateur du tuyau	1
012	F6H189	Clé (pour la vanne d'air)	1
013	P6611	Adaptateur de couverture A	1
014	P61199	Manomètre	1
015	P6H971	Vanne d'inflation	1
016	P61385	Clé (pour le système chlorinateur au sel)	1
017	P61290	Obturateur (pour l'entrée de jet d'eau)	1
018	P4H125ASS17	Pompe spa	1
019	P61334	Bouchon	1
020	P61386	Écrou cellule électrolytique	1
021	P61388	Joint torique cellule électrolytique	1
022	P61387	Cellule électrolytique	1
023	P61587	Obturateur du spa	2

CARACTÉRISTIQUES DE LAY-Z-SPA™ PALM SPRINGS HYDROJET (#54144)

Capacité :	4-6 Adultes	Système saltwater :	20 W	Pompe à jet :	1.200 W
Capacité de l'eau:	795 L (210 gal)	Élément chauffant :	2.000 W à 20 °C	Débit d'eau actuel :	1.325 L/h (350 gal/h)
Taille gonflé :	1,96 m x 71 cm (77" x 28")	Pompe :	50 W Circulation Pompe à filtre	Taux de puissance :	220-240 V AC, 2.060 W à 20 °C
Poids rempli :	864 kg (1.905 Lb)	Capacités de température :	40 °C (104°F)	Pression d'utilisation :	1,2 PSI (0,08bar)
Augmentation du taux de chaleur :	Approximativement 1,5-2 °C/h (3-4°F/h)	Busés à jet :	8PCs	Pompe à air AC :	110 W

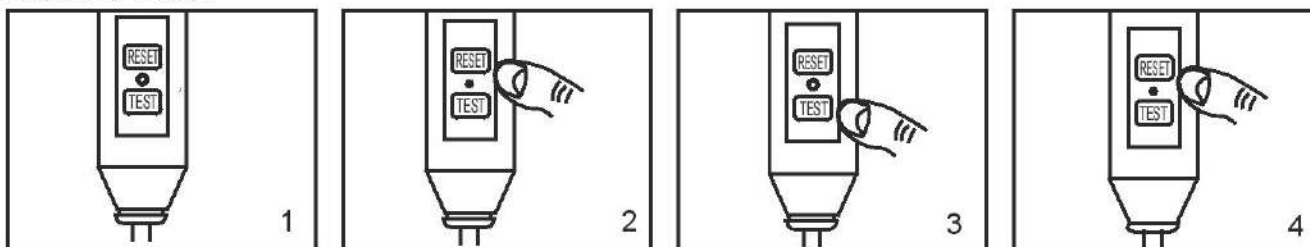
REMARQUE : Le taux de chauffage ci-dessus est en référence à un test de laboratoire avec une température ambiante de 25 °C (77 °F) et supérieure.



Pièces n°	Code de la pièce	Description	QTÉ
001	54144TASS17	Bâche de piscine	1
002	F6414ASS16	Boucle	6
003	P5532GASS17	Bâche en cuir factice	1
004	54144GASS17	Bâche gonflable	1
005	58321(H)S15	Tapis de sol	1
006	P6653	Kit de filtres	1
007	58323	Cartouche du filtre (VI)	2
008	58426S17	Flotteur chimique	1
009	P6575	Obtuteur	1
010	P6H565	Adaptateur du tuyau	1
011	F6H189	Clé (pour la vanne d'air)	1
012	P61587	Obtuteur du spa	2
013	P61199	Manomètre	1
014	P6H971	Vanne d'inflation	1
015	P61385	Clé (pour le système chlorinateur au sel)	1
016	P61290	Obtuteur (pour l'entrée de jet d'eau)	1
017	P61330	Adaptateur du tuyau de pompe à air AC	1
018	P61329	Pompe à air AC	1
019	P61327	Tuyau de gonflage	1
020	P61326	Pompe manuelle	1
021	P4H127ASS17	Pompe spa	1
022	P61334	Bouchon	1
023	P61386	Écrou cellule électrolytique	1
024	P61388	Joint torique cellule électrolytique	1
025	P61387	Cellule électrolytique	1

Essai de la pompe

Essai PRCD



REMARQUE : Dessins uniquement à des fins d'illustration. Peut ne pas refléter le produit actuel. Pas à l'échelle

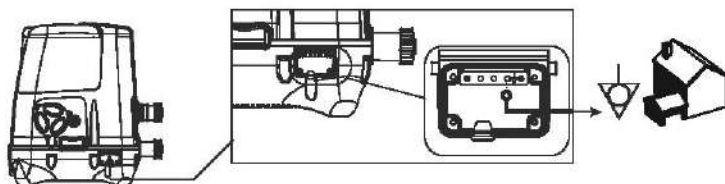
1. Insérer la fiche.
2. Appuyer sur le bouton « RESET », le voyant lumineux s'allume.
3. Appuyer sur le bouton « TEST », le voyant lumineux s'allume.
4. Appuyer sur le bouton « RESET », le voyant lumineux s'allume.
5. Appuyer sur le bouton « On/Off » pendant 2 secondes, votre pompe est prête à être utilisée.



AVERTISSEMENT : La prise PRCD doit être testée avant chaque utilisation pour éviter les risques de choc électrique.

AVERTISSEMENT : Avant d'insérer la fiche dans une prise de courant, s'assurer que le courant actuel de la prise de courant est adapté à la pompe.

AVERTISSEMENT : Ne pas utiliser la pompe si ce test échoue et contacter notre service après-vente.



TERMINAL ÉQUIPOTENTIEL DE LA POMPE SPA

Il est recommandé de contacter un électricien expérimenté pour brancher la pompe du SPA au dispositif de mise à la terre au moyen d'un conducteur en cuivre massif de 2,5 mm² (minimum).

ASSEMBLAGE

AVERTISSEMENT : L'endroit choisi doit être capable de supporter la charge prévue.

AVERTISSEMENT : Un système de vidange adéquat doit être prévu pour faire face à l'eau de débordement pour les installations intérieures et extérieures.

REMARQUE : Seul le Hydro-Jet Pro spa possède le bouton du système Lay-Z-Massage. Lors du gonflage, vous remarquerez que l'air sera expulsé de la zone où le tuyau d'air se connecte à la pompe, ce qui est normal et prévient les dommages dus à la sur-inflation.

REMARQUE : Ne pas utiliser un compresseur d'air pour gonfler la piscine.

REMARQUE : Ne pas traîner la piscine sur un terrain accidenté, car cela pourrait causer des dommages à la bâche de la piscine.

REMARQUE : Le temps d'inflation sert uniquement de référence.

REMARQUE : Le manomètre est à des fins d'inflation seulement, et la valeur indiquée par le manomètre sert uniquement de référence. Il ne doit pas être utilisé comme un instrument de précision.




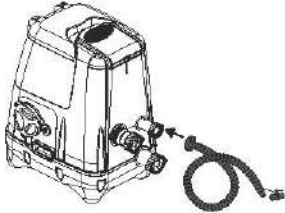
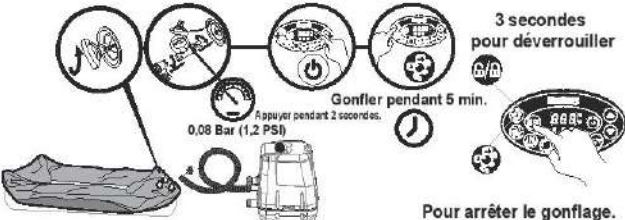
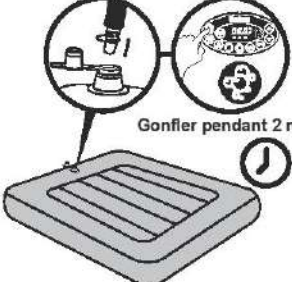

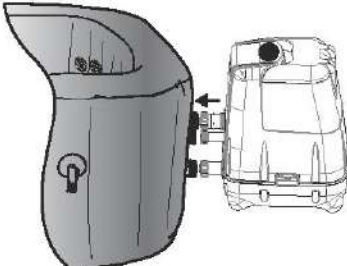
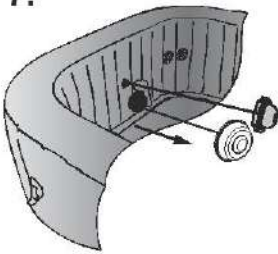
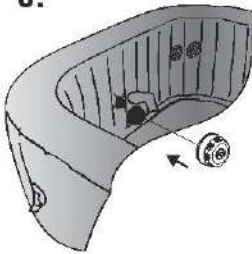
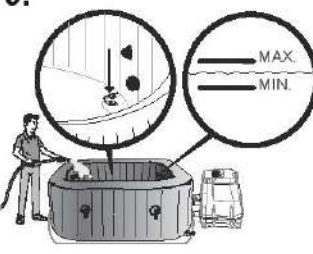

Contrôle de la vanne d'air

Toujours soigneusement vérifier la vanne d'air avant de procéder à l'inflation pour assurer qu'il n'y ait pas de fuite d'air. Si la vanne d'air est perdue, utiliser la clé fournie pour fixer la vanne d'air suivant ces étapes : d'une main, tenir l'arrière de la vanne d'air du côté intérieur de la paroi du spa et tourner la clé dans le sens horaire.

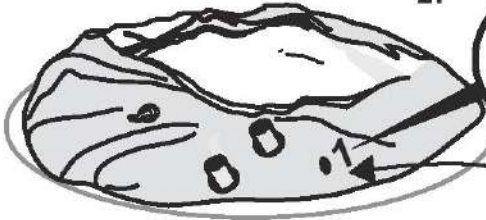
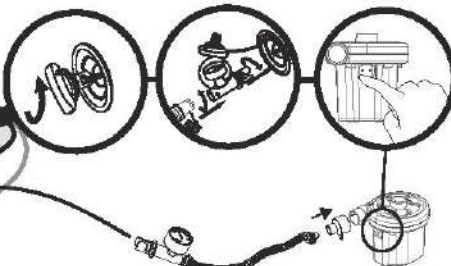
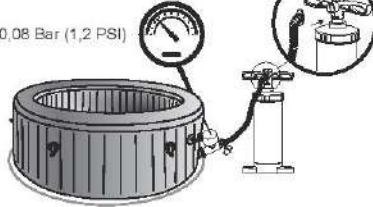
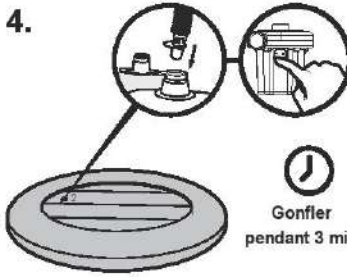
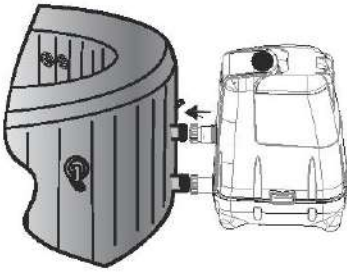
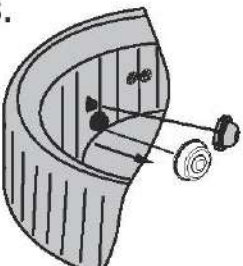
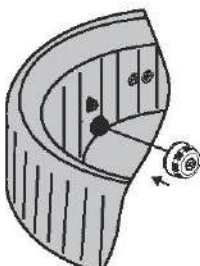
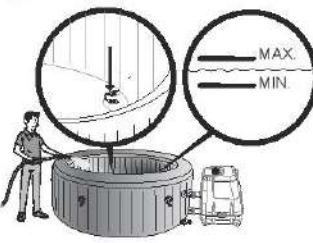

REMARQUE :

1. Ne pas trop serrer.
2. Ne pas régler le connecteur de la vanne d'air lorsque le spa est en cours d'utilisation.

ASSEMBLAGE FOR HAWAII HYDROJET PRO (#54138)

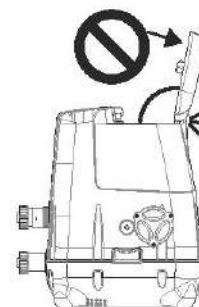
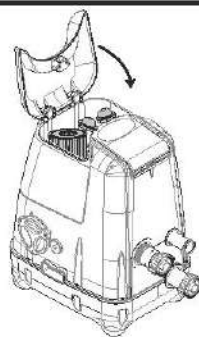
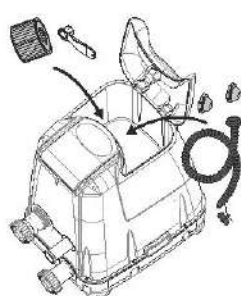
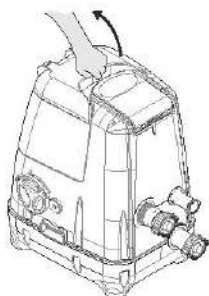
<p>1.</p> 	<p>2.</p> 	<p>3.</p>  <p>3 secondes pour déverrouiller</p> <p>Gonfler pendant 5 min.</p> <p>Appuyer pendant 2 secondes.</p> <p>0,08 Bar (1,2 PSI)</p> <p>Pour arrêter le gonflage.</p>	
<p>4.</p>  <p>Gonfler pendant 2 min.</p>	<p>5.</p> 	<p>6.</p> 	
<p>7.</p> 	<p>8.</p> 	<p>9.</p> 	<p>10.</p> 

ASSEMBLAGE FOR PALM SPRINGS HYDROJET (#54144)

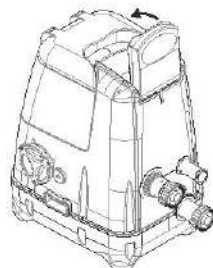
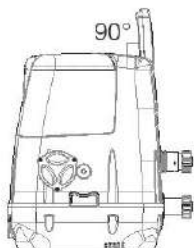
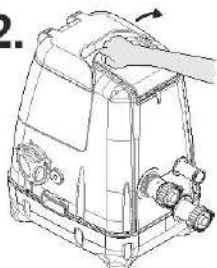
<p>1.</p> 	<p>2.</p> 	<p>Pré-gonfler pendant 7 min.</p> <p>Remarque : Le temps de fonctionnement du moteur ne doit pas dépasser 20 minutes</p>	
<p>3. Continuer à gonfler la piscine spa avec pompe manuelle</p> <p>0,08 Bar (1,2 PSI)</p> 	<p>4.</p>  <p>Gonfler pendant 3 min.</p>	<p>5.</p> 	
<p>6.</p> 	<p>7.</p> 	<p>8.</p> 	<p>9.</p> 

FUNCTIONNEMENT

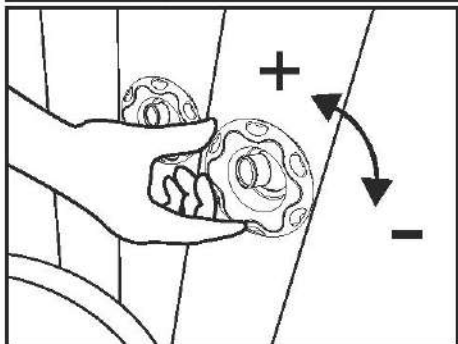
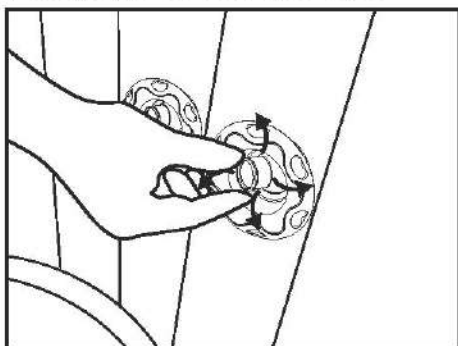
1.



2.



3. Réglage de la buse à jet



5. Restauration du chauffage

Lors de l'utilisation du Lay-Z-Spa pour la première fois, ou après une longue période d'inactivité, veuillez à appuyer sur le bouton de réinitialisation sur la pompe à l'aide d'un objet petit et mince.

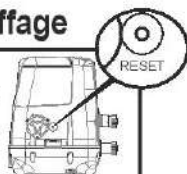
BOUTON RESET

INSTRUCTIONS D'UTILISATION IMPORTANTES

Si la température sur le tableau de commande (ou la température de l'eau) n'a pas changé 4-5 heures après l'activation du système de chauffage, utiliser un objet pointu, appuyer sur le bouton de réinitialisation et redémarrer le système de chauffage.

IMPORTANT : Le système de chauffage ne fonctionne pas si la température extérieure est supérieure à 40 °C (104 °F) ou si le Lay-Z-Spa est en plein soleil.

Dans ces conditions, veuillez attendre un moment plus frais de la journée avant d'appuyer sur le bouton de RESET avec un objet mince et redémarrer le système de chauffage. Cette opération doit être répétée à chaque fois que la pompe est dans des conditions ci-dessus.



4. Instructions pour le système chlorinateur au sel

REMARQUE : Pour utiliser le système chlorinateur de sel, ajouter du sel à l'eau en suivant les étapes ci-dessous.

- (1). Allumer le système HydroJet pour démarrer la circulation de l'eau.
- (2). Conserver le système chlorinateur au sel éteint.
- (3). Ajouter 4,4 lbs / 2 kg progressivement de sel dans la piscine du spa, utiliser uniquement du chlorure de sodium (NaCl) est d'au moins 99,9 % des pastilles de sel pur ou conditionnement de l'eau (les formes comprimées de sel évaporé - il faudra plus de temps pour dissoudre). Le système HydroJet doit fonctionner pendant 5 min.
- (4). Quand tout le sel s'est dissous, allumer le système chlorinateur au sel et définir la durée de travail (se référer aux instructions du Bouton du Système chlorinateur au sel).

REMARQUE : Fixer le couvercle du spa pendant le processus d'électrolyse au sel.

E11 Ajouter du sel si le niveau du sel est trop faible

Si trop peu de sel a été ajouté, le panneau affiche le code d'erreur « E11 ».

- (1). Débrancher le spa et le rebrancher, puis appuyer sur « Reset ».
- (2). Allumer le Système HydroJet.
- (3). Ajouter graduellement et dissoudre 1,1 lbs / 0,5 kg de sel.
- (4). Démarrer le système chlorinateur au sel
- (5). Si le code « E11 » persiste, suivez les étapes ci-dessus jusqu'à ce que le code d'erreur « E11 » disparaisse.

E10 Retirer du sel si le niveau du sel est trop élevé

Si trop de sel a été ajouté, le panneau affiche le code d'erreur « E10 ».

- (1). Débrancher le spa.
- (2). Vider et remplir d'environ 20 % de l'eau
- (3). Démarrer le système chlorinateur au sel
- (4). Si le code « E10 » persiste, suivez les étapes ci-dessus jusqu'à ce que l'alarme « E10 » disparaisse.

A Bouton Verrouillage/déverrouillage
La pompe a un temps d'auto-verrouillage de 5 minutes. Le voyant LED se met en veilleuse lorsque la pompe est verrouillée (pas de fonction est activée). Pour verrouiller ou déverrouiller la pompe, placer un doigt sur le bouton de verrouillage/déverrouillage pendant 3 secondes.

B Bouton du système Lay-Z-Massage (pour Hydro-Jet Pro)
Utiliser ce bouton pour activer le système de massage, qui dispose d'une fonction de 30 minutes d'arrêt automatique.
Le voyant au-dessus du bouton du système Lay-Z-Massage s'affiche en rouge lorsqu'il est activé.

IMPORTANT : Ne pas faire fonctionner le système Lay-Z-Massage lorsque le couvercle est fixé. De l'air peut s'accumuler à l'intérieur du spa et causer des dommages irréparables à la couverture et des lésions corporelles.
REMARQUE : La chaleur et le système de massage fonctionnent ensemble pour créer une expérience de massage chaud.

C Bouton système HydroJet
Ce bouton allume et éteint la pompe à eau.
Le voyant au-dessus du bouton du système HydroJet s'affiche en rouge lorsqu'il est activé.

Remarque : Le système sera éteint automatiquement après 1 heure.
Remarque : Ne pas exécuter le système HydroJet à sec.

D Bouton de chauffage
Utiliser ce bouton pour activer le système de chauffage. Lorsque le voyant au-dessus du bouton de chaleur est rouge, le système de chauffage est activé. Lorsque le voyant est vert, l'eau est à la température réglée et le système de chauffage est au repos.

REMARQUE : Si le système de chauffage est activé, le système de filtration commence automatiquement.
REMARQUE : Après avoir coupé le système de chauffage, le système de filtration continue de fonctionner.

E Bouton du filtre à eau
Ce bouton allume et éteint la pompe à filtrer.
Le voyant au-dessus du bouton du filtre à eau s'affiche en rouge lorsqu'il est activé.

REMARQUE : La fonction de traitement de l'eau dure intégré fonctionne automatiquement.

F Bouton du système chlorinateur au sel
Utiliser ce bouton pour activer le système chlorinateur au sel et définir la durée de travail. Vous pouvez définir la durée de travail de 3 heures à 8 heures en appuyant sur le bouton du système chlorinateur au sel. Après avoir réglé la durée de travail, le système chlorinateur au sel commencera à travailler automatiquement.

REMARQUE : Ne pas appuyer sur les boutons du panneau et fixer le couvercle du SPA au cours de la progression de la chloration. Vous pouvez réajuster la durée de travail en appuyant sur le bouton du système chlorinateur au sel.

REMARQUE : Tester l'eau régulièrement et s'assurer que le niveau de chlore libre est compris entre 2 et 4 ppm.

G INSTRUCTIONS POUR le bouton de minuterie économiseur d'énergie
Ceci est une nouvelle fonction, conçue pour aider à éviter de gaspiller l'énergie en réglant le temps et la durée du cycle de chauffage pour le spa.
Ainsi, vous pouvez profiter de votre spa au moment où vous désirez, sans avoir besoin de quitter l'appareil de chauffage tout le temps.

ÉTAPE 1 : Régler la durée de chauffage

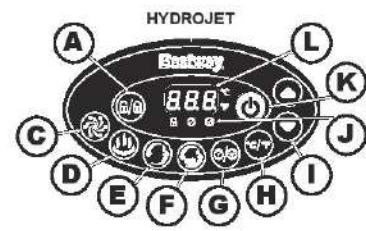
1. Appuyer sur le bouton ainsi que sur le , la LED commence à clignoter.
2. Appuyer sur le bouton ou pour régler la durée de chauffage (de 1 à 48 heures).
3. Appuyer de nouveau sur le bouton pour confirmer la durée du chauffage.

ÉTAPE 2 : Régler le nombre d'heures à partir DE MAINTENANT, lorsque l'appareil de chauffage sera activé

1. Après avoir réglé la durée de chauffage, la LED commence à clignoter.
2. Appuyer sur le bouton ou pour régler les heures jusqu'au temps d'activation (de 0 à 99 heures).
3. Appuyer de nouveau sur le bouton ou simplement ne rien toucher pendant 10 secondes pour confirmer le réglage. La LED s'allume régulièrement, et le compte à rebours à l'activation du dispositif de chauffage commence.

Pour modifier les réglages de la minuterie : Appuyer sur le bouton et utiliser les boutons ou pour procéder au réglage.

Supprimer le réglage : Appuyer sur le bouton pendant 2 secondes.



REMARQUE : Après le réglage, l'écran clignote en affichant la température et l'heure en allemande.
REMARQUE : Réglage de la minuterie (quantité de temps avec le chauffage sur ON) peut être réglé de 1 à 48 heures ; Réglage du temps de réservation (le nombre d'heures à partir DE MAINTENANT, lorsque l'appareil de chauffage commencera à fonctionner) peut être réglé de 0 à 99 heures. Si la minuterie est réglée sur 0 heure, cela signifie que la fonction Timer n'est pas définie.
À noter que la minuterie ne peut être utilisée qu'une seule fois - l'utilisateur règle la durée du cycle de chauffage, et le nombre d'heures à partir de maintenant le cycle de chauffage commence. La minuterie NE se répète PAS jusqu'à la réalisation.

H Basculer entre celsius/fahrenheit
 La température peut être affichée en degrés Celsius ou Fahrenheit.

I Boutons de réglage de la température
 Appuyer sur les boutons d'augmentation ou de diminution de la température fera clignoter la LED. Quand elle clignote, vous pouvez régler la température désirée. Si vous maintenez ces boutons enfoncés, les valeurs vont augmenter ou diminuer rapidement. Le nouveau réglage de température souhaitée restera sur l'affichage LED pendant 3 secondes pour confirmer la nouvelle valeur.

REMARQUE : La température par défaut est de 35 °C (95 °F).
REMARQUE : Le réglage de la température est comprise entre 20 °C (68 °F) et 40 °C (104 °F).

J Minuterie LED à économie d'énergie
Ce clignotement de la LED signifie que vous définissez la durée de chauffage. La lumière sera allumée lorsque la fonction de chauffage commence à travailler.
Ce clignotement de la LED signifie que vous définissez le nombre d'heures à partir de maintenant, lorsque l'appareil de chauffage sera activé. Lorsque la lumière est allumée, la fonction d'économie d'énergie de la minuterie est réglée.

K Bouton On/Off
 Appuyer sur ce bouton pendant 2 secondes pour activer les boutons du tableau de commande et la lumière passe au vert.
 Appuyer sur ce bouton pendant 2 secondes pour éteindre toutes les fonctions activées.

L Afficheur à LED
 Une fois sous tension, la LED affiche automatiquement la température en cours de l'eau.
 Après 72 heures de filtration (sans l'aide de la fonction d'économie d'énergie de la minuterie), la pompe sera mise en veille prolongée et l'inscription « End » clignotera avec la température actuelle de l'eau. Lorsque la pompe est en hibernation, à la fois les fonctions de chauffage et de filtrage de l'eau sont désactivées. Pour réactiver la pompe, appuyer sur le bouton verrouillage/déverrouillage pendant 3 secondes.

REMARQUE : Le taux de la chaleur de l'eau peut changer dans les conditions ci-dessous :
Lorsque la température extérieure est inférieure à 15 °C (59 °F).
Si le couvercle n'est pas en position lorsque la fonction de chauffage est activée.

REMARQUE : Pour afficher la température actuelle de l'eau, faire fonctionner le système de filtre pendant au moins une minute. La température de l'eau telle que mesurée par un thermomètre externe peut varier de la température telle qu'elle est affichée sur le panneau du spa en raison des différentes positions des dispositifs de mesure.

Alarmes

Causes	Raisons	Solutions
E01 Les capteurs de débit d'eau fonctionnent sans appuyer sur le bouton de filtre ou de la chaleur.	1. Les drapeaux du capteur de débit d'eau ne tombent pas dans la position correcte. 2. Les capteurs de débit d'eau sont cassés.	1. Débrancher la pompe, frapper le côté de la pompe fermement (mais pas violemment), et rebrancher. 2. Contacter votre centre de service après-vente local Bestway pour obtenir plus d'instructions.
E02 Après le démarrage ou pendant les fonctions de filtrage et/ou de chauffage, les capteurs de débit d'eau ne détectent pas l'écoulement de l'eau.	1. Vous avez oublié de retirer les 2 bouchons d'obturation à l'intérieur de la piscine. 2. Les cartouches du filtre sont sales. 3. Activer le système de filtration ou de chaleur et placer votre main devant le tuyau de sortie à l'intérieur de la piscine pour vérifier si vous pouvez sentir l'eau s'écouler. a. Si l'eau ne coule pas, la pompe à eau est cassée. b. L'eau coule dehors mais l'alarme apparaît, les capteurs de débit d'eau sont cassés.	1. Retirer les deux bouchons d'obturation avant le démarrage du système de chauffage. Se reporter à la section d'Assemblage dans le manuel de l'utilisateur. 2. Retirer le filtre mis à l'intérieur de la piscine et appuyer sur le bouton de filtre ou de chaleur. Si aucune alarme n'apparaît, nettoyer ou changer les cartouches du filtre et ré-installer le filtre placé à l'intérieur de la piscine. 3. Contacter votre centre de service après-vente local Bestway pour obtenir plus d'instructions.
E03 Le thermomètre de la pompe indique la température de l'eau inférieure à 4 °C (40 °F).	1. La température de l'eau est inférieure à 4 °C (40 °F). 2. Si la température de l'eau est supérieure à 7 °C (44,6 °F), le thermomètre de la pompe est cassé.	1. Le spa n'est pas conçu pour fonctionner avec des températures d'eau inférieures à 4 °C (40 °F). Débrancher la pompe et rebrancher seulement la pompe lorsque la température de l'eau atteint 6 °C (43 °F). 2. Contacter votre centre de service après-vente local Bestway pour obtenir plus d'instructions.
E04 Le thermomètre de la pompe indique la température de l'eau supérieure à 50 °C (122 °F).	1. La température de l'eau est supérieure à 50 °C (122 °F). 2. Si la température de l'eau est inférieure à 45 °C (113 °F), le thermomètre de la pompe est cassé.	1. Le spa n'est pas conçu pour fonctionner avec des températures d'eau supérieures à 40 °C (104 °F). Débrancher la pompe et rebrancher seulement la pompe lorsque la température de l'eau atteint 38 °C (100 °F) ou inférieur. IMPORTANT : Avant de re-démarrer la pompe, appuyer sur le bouton de réinitialisation de la pompe. 2. Contacter votre centre de service après-vente local Bestway pour obtenir plus d'instructions.
E05 Les connexions du thermomètre de la pompe ont des problèmes.	1. Les connecteurs de thermomètre de la pompe ne fonctionnent pas correctement. 2. Le thermomètre de la pompe est cassé.	Contacter votre centre de service après-vente local Bestway pour obtenir plus d'instructions.
E08 L'interrupteur thermique de reset manuel a un problème.	L'interrupteur thermique de reset manuel a été cassé.	1. Débrancher la pompe et appuyer sur le bouton de remise à zéro, puis rebrancher de nouveau la pompe. 2. Dans le cas où l'alarme persiste consulter la section BOUTON RESET dans le manuel. 3. Contacter votre centre de service après-vente local Bestway pour obtenir plus d'instructions.
E09 104 °C (219 °F) Panne de fusible.	Le fusible est débranché.	Contacter votre centre de service après-vente local Bestway pour obtenir plus d'instructions.
E10 Alarme de sel élevé.	Trop de sel a été ajouté ou trop d'eau s'est évaporée.	1. Suivre les instructions dans le cadre de l'opération pour éliminer le sel. 2. Contacter votre centre de service après-vente local Bestway pour obtenir plus d'instructions.
E11 Alarme de sel bas.	Pas assez de sel pour la désinfection.	1. Suivre les instructions dans le cadre de l'opération pour ajouter de sel à l'eau. 2. Contacter votre centre de service après-vente local Bestway pour obtenir plus d'instructions.
E12 Fuites d'eau à l'intérieur de la pompe.	Le système a détecté une fuite d'eau dans la pompe.	Contacter votre centre de service après-vente local Bestway pour obtenir plus d'instructions.
E13 Ligne de signal déconnectée.	La ligne de signal entre le tableau de commande et la carte d'alimentation n'est pas bien connectée.	Contacter votre centre de service après-vente local Bestway pour obtenir plus d'instructions.

ENTRETIEN

REMARQUE : Votre spa exigera de l'air supplémentaire à ajouter de temps en temps. Les changements de température du jour à la nuit changeront la pression dans le spa et peuvent provoquer une certaine déflation. Veuillez suivre les instructions de montage et vider le spa avant de le gonfler à la pression exacte nécessaire.

ATTENTION : VOUS DEVEZ VOUS ASSURER QUE LA POMPE SOIT DÉBRANCHÉE AVANT DE COMMENCER L'ENTRETIEN DU SPA.

Entretien de la cartouche du filtre

REMARQUE : Pour s'assurer que l'eau de votre spa reste propre, vérifier et nettoyer les cartouches du filtre tous les jours - suivre les étapes ci-dessous.



REMARQUE : Nous recommandons de changer vos cartouches du filtre toutes les semaines. Si les cartouches du filtre restent sales et décolorées, elles doivent être remplacées.

Entretien de l'eau

Pour garder l'eau de votre SPA propre, il faut garder un équilibre chimique. Le simple fait de nettoyer la cartouche du filtre n'y suffit pas. Veuillez vous référer à l'une des recommandations ci-dessous :



1. Utiliser régulièrement le système chlorinateur au sel intégré. L'eau salée est passée à travers la cellule électrolytique du chlorinateur pour produire du chlore qui se dissout instantanément dans l'eau. Le chlore commence immédiatement à détruire les bactéries, les algues et à oxyder les autres matières organiques.

La première fois que vous l'utilisez, nous vous suggérons de régler le temps de fonctionnement à 8 heures avec de l'eau fraîche et utilisez une bandelette de test pour vérifier que le chlore libre est entre 2 et 4 ppm. Augmenter le temps de fonctionnement si la température de l'eau est élevée ou si le SPA est découvert. Utiliser le système chlorinateur toutes les 24 heures si le SPA est en cours d'utilisation, le temps de fonctionnement dépend des résultats des tests et à quelle fréquence vous utilisez la SPA.

REMARQUE : Tester la concentration de chlore libre deux fois par jour lorsque vous utilisez d'abord le système chlorinateur. Lorsque la concentration de chlore libre devient stable, la tester une fois par semaine pour vous assurer que le chlore libre est compris entre 2 et 4 ppm.

REMARQUE : Ne pas utiliser le SPA lorsque la concentration de chlore libre est supérieure à 4 ppm.

2. Utiliser des produits chimiques de piscine pour maintenir le chlore à dispense chimique ou les comprimés de brome de l'eau (ne pas utiliser des granulés) avec le flotteur chimique.

Utiliser des comprimés chimiques (non inclus)

(Référence : 3-6 g d'acide cyanurique)

Utiliser du liquide chimique (non inclus)

(Se reporter aux instructions des produits chimiques liquides achetés)



L'eau doit être changée environ tous les 3 jours ou plus avec un bon entretien chimique. La qualité de l'eau est influencée par la fréquence d'utilisation, les personnes utilisant le spa et l'entretien général.

REMARQUE : Nous vous recommandons de prendre une douche avant d'utiliser le Lay-Z-Spa. Les produits cosmétiques, les lotions et autres résidus sur la peau peuvent rapidement dégrader la qualité de l'eau.

REMARQUE : Retirer le flotteur chimique du spa lorsque le spa est en cours d'utilisation.

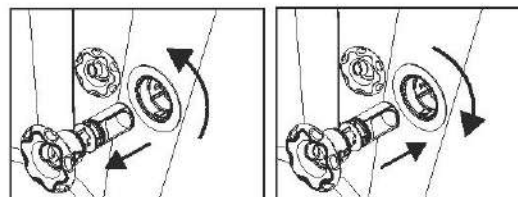
IMPORTANT : Après avoir effectué l'entretien chimique et avant d'utiliser le spa, utiliser un kit de test (non inclus) pour tester la chimie de l'eau. Nous recommandons de maintenir l'eau conformément au tableau ci-dessous.

pH	Alcalinité totale	Sans chlore
7,4-7,6	80-120 ppm	2-4 ppm

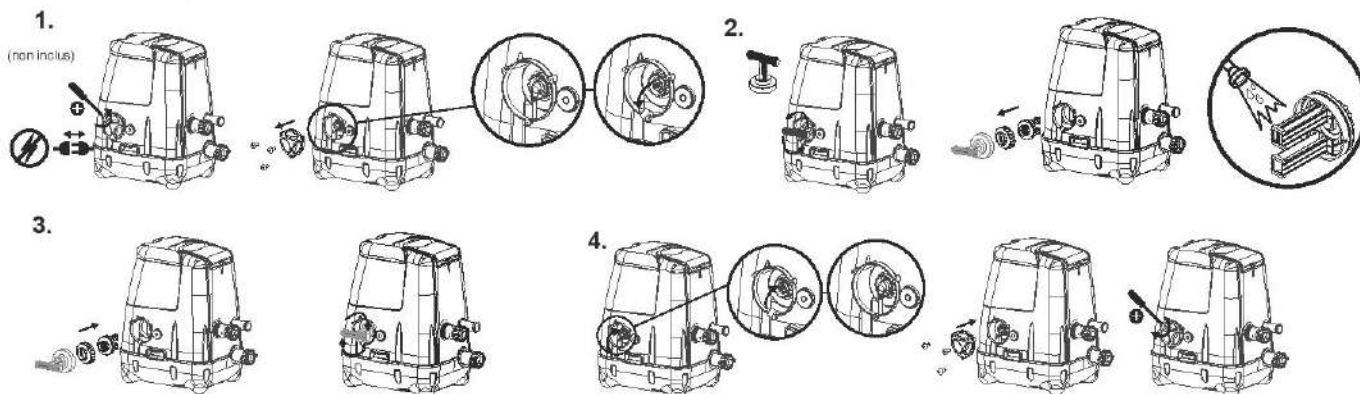
REMARQUE : Les dommages résultant d'un déséquilibre chimique ne sont pas couverts par la garantie. Les produits chimiques de piscine sont potentiellement toxiques et doivent être manipulés avec précaution. Il existe des risques graves pour la santé venant des vapeurs chimiques, ainsi que pour l'étiquetage et le stockage incorrects des contenants chimiques. Veuillez consulter votre détaillant local de fourniture de piscine pour obtenir plus d'informations relatives à l'entretien chimique. Portez une attention particulière aux instructions du fabricant de produits chimiques. Les dommages du Spa résultant d'une mauvaise utilisation des produits chimiques et de la mauvaise gestion de l'eau du spa ne sont pas couverts par la garantie.

Entretien des buses Jet

1. Tourner jusqu'à entendre le « clic », et sortir les buses Jet pour nettoyer les débris.
2. Insérer et tourner vers la droite pour les replacer.



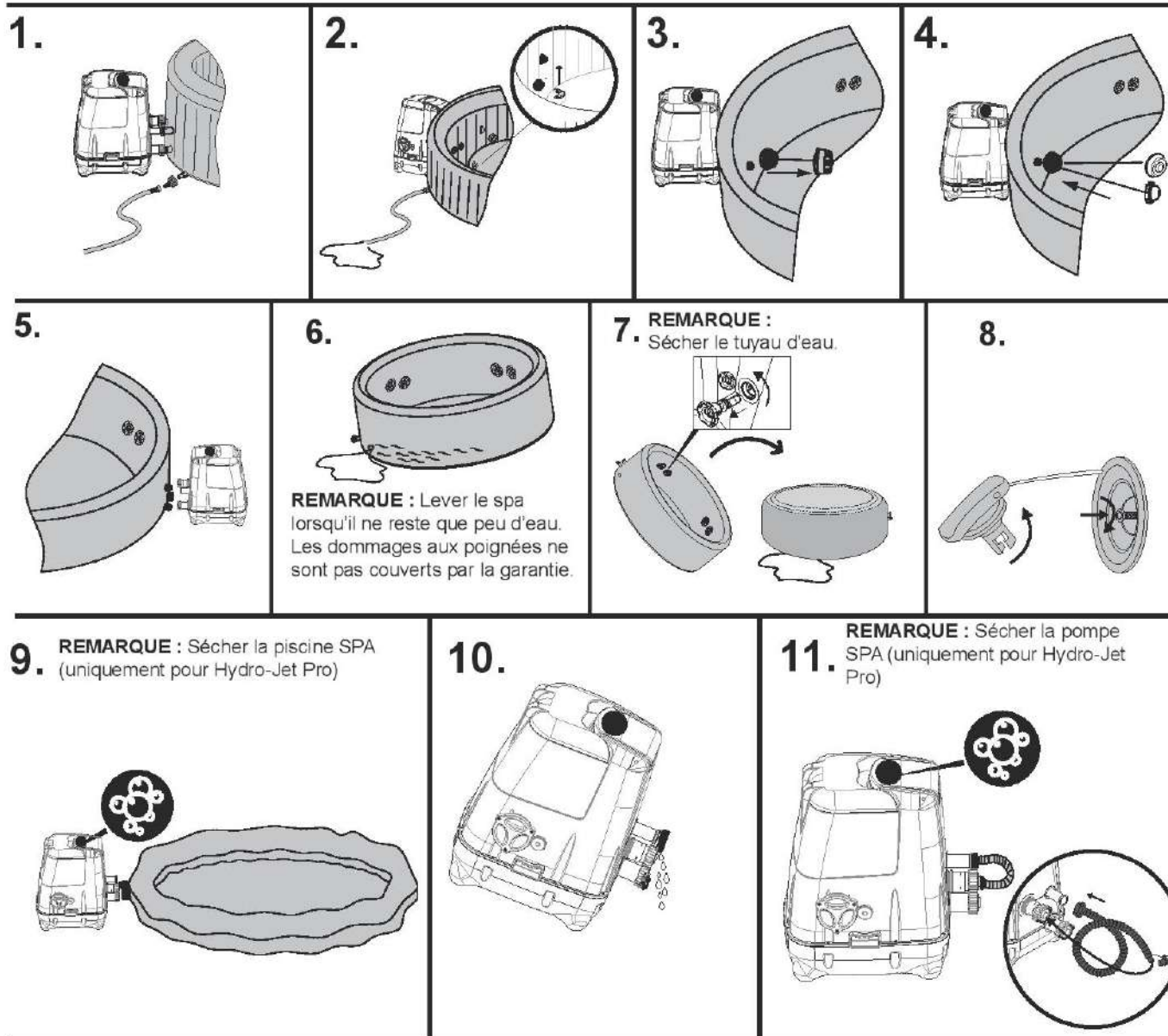
Entretien du système chlorinateur au sel



REMARQUE : Si les dépôts persistent après le lavage, placer la cellule électrolytique dans un récipient, verser du vinaigre blanc dans le récipient à tremper la plaque en titane pendant environ 4 heures, puis laver à nouveau. Répéter l'opération si nécessaire.

Vidange du Spa

REMARQUE : Dessins uniquement à des fins d'illustration. Peut ne pas refléter le produit actuel. Pas à l'échelle.



Nettoyage du spa Les résidus de détergent et les particules solides dissoutes des maillots de bain et des produits chimiques peuvent s'accumuler sur les parois du spa. Utiliser de l'eau et du savon pour nettoyer les parois et rincer abondamment.

REMARQUE : NE PAS utiliser de brosses dures ou de nettoyants abrasifs.

Réparation du Spa

Pour la bâche gonflable du Spa

Si le spa est déchiré ou perforé, utiliser la rustine résistante fournie.

1. Nettoyer la zone à réparer.
2. Retirer délicatement le patch.
3. Appuyer le patch sur la zone à réparer.
4. Attendre 30 minutes avant de pouvoir gonfler.

Pour Spa Liner

Si le spa est déchiré ou perforé, utiliser la rustine en PVC fournie et de la colle (non incluse) en suivant ces étapes :

1. Nettoyer et sécher la zone à réparer.
2. Couper le patch en PVC fourni à la taille appropriée.
3. Utiliser la colle (non incluse) pour revêtir un côté du patch fraîchement coupé. S'assurer que la colle est répartie uniformément.
4. Attendre 30 secondes, puis placer le patch coupé avec de la colle sur la zone endommagée.
5. Lisser les bulles d'air qui peuvent être prise au piège dessous, et appuyer fermement pendant deux minutes.
6. Attendre 30 minutes avant de pouvoir gonfler.
7. Le produit est à nouveau prêt à être utilisé. Répéter ce processus si d'autres fuites devaient se présenter.

Stockage du Lay-Z-Spa

Avant le stockage, s'assurer que le spa et la pompe soient complètement secs. C'est essentiel pour prolonger la vie du spa. Nous vous recommandons d'utiliser la pompe pour sécher le spa, la pompe et les tuyaux. Retirer les jeux de filtres et jeter les cartouches de filtre utilisées. Remplacer les deux bouchons d'obturation sur l'entrée et la sortie des vannes du spa. Il est recommandé de stocker le spa dans son emballage d'origine dans un endroit chaud et sec.

REMARQUE : La plastic devient fragile et sensible à la rupture lorsqu'il est exposé à des températures inférieures à zéro. La congélation peut endommager gravement le spa. Un aménagement pour l'hiver incorrect du spa peut annuler la garantie.



Élimination Signification du symbole de poubelle à roues barré : Ne pas jeter les appareils électriques dans les ordures ménagères, utiliser les installations de tri sélectif. Communiquer avec votre administration locale pour obtenir des informations concernant les systèmes de collecte disponibles. Si les appareils électriques sont éliminés dans des décharges, les substances dangereuses peuvent fuir dans les eaux souterraines et entrer dans la chaîne alimentaire et nuire à votre santé et le bien-être. Lors du remplacement de vieux appareils par de nouveaux, le détaillant est légalement obligé de reprendre votre ancien appareil au moins gratuitement.

DÉPANNAGE Bestway aspire à fournir le plus de spas sans problème sur le marché. Si un problème se présente, ne pas hésiter à contacter Bestway ou votre revendeur agréé. Voici quelques conseils utiles pour vous aider à diagnostiquer et à corriger certaines sources communes d'ennuis.

Problèmes	Causes probables	Solutions
La pompe ne fonctionne pas	<ul style="list-style-type: none"> - Panne électrique - Les circuits électriques sont cassés 	<ul style="list-style-type: none"> - Vérifier la source d'alimentation - Contacter votre centre de service après-vente local Bestway pour obtenir plus d'instructions
La pompe ne chauffe pas correctement	<ul style="list-style-type: none"> - La température réglée est trop basse - Cartouche du filtre encrassée - L'interrupteur thermique coupe la ligne - L'élément chauffant est en panne 	<ul style="list-style-type: none"> - Régler le système de chauffage à une température plus élevée (voir la section Fonctionnement de la pompe) - Nettoyer/remplacer la cartouche du filtre (faire référence au paragraphe Nettoyage et remplacement de la cartouche du filtre) - Appuyer sur le bouton RESET sur la pompe (voir la section Fonctionnement de la pompe) - Contacter votre centre de service après-vente local Bestway pour obtenir plus d'instructions
Le système Lay-Z-Massage ne fonctionne pas	<ul style="list-style-type: none"> - La pompe à air est en surchauffe - Le système Lay-Z-Spa Massage s'arrête automatiquement - La pompe à air est cassée 	<ul style="list-style-type: none"> - Débrancher la pompe et attendre deux heures jusqu'à ce que la pompe se soit refroidie. Insérer la fiche et appuyer sur le bouton du système Lay-Z-Massage - Appuyer sur le bouton du système Lay-Z-Massage pour le réactiver - Contacter votre centre de service après-vente local Bestway pour obtenir plus d'instructions
Les adaptateurs de la pompe ne sont pas au niveau des adaptateurs du spa	<ul style="list-style-type: none"> - Une des caractéristiques du PVC est qu'il change de forme, ce qui est normal 	<ul style="list-style-type: none"> - Surélever la pompe avec du bois ou tout autre type de matériau isolant pour placer les adaptateurs de la pompe au même niveau que les adaptateurs du spa
Fuite du spa	<ul style="list-style-type: none"> - Le Spa est déchiré ou perforé - La vanne d'air est lâche 	<ul style="list-style-type: none"> - Utiliser la rustine fournie - Utiliser de l'eau savonneuse, couvrir la vanne à air pour vérifier si l'air fuit ; le cas échéant, utiliser la clé fournie pour fixer l'obturateur d'air en suivant ces étapes : 1. Dégonfler le SPA. 2. D'une main, tenir l'arrière de la vanne d'air du côté intérieur de la paroi du spa et tourner la clé dans le sens horaire.
L'eau n'est pas propre	<ul style="list-style-type: none"> - Temps de filtrage insuffisant - Cartouche du filtre encrassée - Entretien impropre de l'eau - Le système électrolyseur ne fonctionne pas - La plaque en titane est recouverte - Le temps de désinfection n'est pas suffisant 	<ul style="list-style-type: none"> - Augmenter le temps de filtrage - Nettoyer/remplacer la cartouche du filtre (voir la section Nettoyage et Remplacement de la cartouche du filtre) - Se référer aux instructions du fabricant de produits chimiques. - Contrôler l'alimentation et contacter votre centre de service après-vente local Bestway pour obtenir plus d'instructions - Nettoyer la plaque en titane (voir la section Entretien du Système chlorinateur au sel)
Le test PRCD a échoué	Votre Spa présente un défaut	Contactez votre centre de service après-vente local Bestway et retourner le SPA
Le système HydroJet ne fonctionne pas	<ul style="list-style-type: none"> - La pompe à eau est en surchauffe - La pompe à eau est cassée 	<ul style="list-style-type: none"> - Débrancher la pompe et attendre deux heures jusqu'à ce que la pompe se soit refroidie. La brancher et essayer à nouveau - Contacter votre centre de service après-vente local Bestway pour obtenir plus d'instructions
Le tableau de commande ne fonctionne pas	<ul style="list-style-type: none"> - Le tableau de commande dispose d'un verrouillage automatique, qui est activé après 5 minutes d'inactivité. L'affichage à LED présente une icône :  - Si l'icône de verrouillage est en surbrillance, le tableau de commande est verrouillé - Le tableau de commande n'est pas activé 	<ul style="list-style-type: none"> - Pour déverrouiller le tableau de commande, appuyer sur le bouton  pendant 3 secondes - Si le tableau de commande ne se déverrouille pas, redémarrer la pompe - débrancher et rebrancher la pompe. - Appuyer sur le bouton on/off pendant 2 secondes - Si le problème persiste, contactez votre centre de service après-vente local Bestway pour obtenir plus d'instructions
Quel genre de produits chimiques doivent être utilisés pour l'entretien de l'eau ?	Veuillez consulter votre revendeur local de produits chimiques pour obtenir plus d'informations relatives à l'entretien chimique. Porter une attention particulière aux instructions du fabricant de produits chimiques.	
L'eau fuit des adaptateurs entre la pompe et le spa	Insérer les trois bouchons d'obturation sur les ports du spa pour empêcher l'eau de fuir et débrancher la pompe. Vérifier et s'assurer que les joints sont correctement placés à l'intérieur des adaptateurs de la pompe. Si les joints sont manquants ou qu'ils ne sont pas installés correctement, contactez votre centre de service après-vente local Bestway pour obtenir plus d'instructions. Si les joints sont correctement montés, rebrancher la pompe du spa et serrer à la main les adaptateurs.	

Garantie limitée du fabricant BESTWAY®

Le produit que vous avez acheté est accompagné d'une garantie limitée. Bestway® défend sa garantie de qualité et assure, grâce à une garantie de remplacement, que votre produit ne présentera pas de vices de fabrication.

Pour présenter une réclamation dans le cadre de la garantie, il faut remplir ce formulaire qui doit être envoyé au service après-vente Bestway le plus proche, accompagné d'une copie de votre attestation d'achat. Veuillez contacter le service après-vente Bestway le plus proche avant d'envoyer tout document. Il vous communiquera toutes les instructions pour présenter votre réclamation. Bestway® ne remplacera aucun produit jugé comme ayant été endommagé par négligence ou comme ayant été utilisé sans respecter les consignes de la notice d'utilisation.

La garantie Bestway couvre les vices de fabrication découverts lors du déballage du produit ou pendant son utilisation, comme cela est recommandé dans la notice d'utilisation. Cette garantie ne s'applique qu'aux produits n'ayant pas été modifiés par des tiers. Le produit doit être stocké et manipulé dans le respect des recommandations techniques.

The warranty does not cover damages caused by misuse, abuse, neglect, including, but not limited to collision, fire, use of incorrect voltage, excessive heat exposure, improper installation, improper wiring or testing, improper storage.

Les remplacements et les réparations ne prolongent pas la durée de la garantie. La garantie s'applique à partir de la date de la vente indiquée sur le reçu/la facture d'origine.

Veuillez choisir votre SPA



Palm Springs



Hawaii

À L'ATTENTION DE: Bestway® Service Department

Date d'achat: _____

DATE: _____

N° de code client: _____

FAX/E-MAIL/TÉL.: Veuillez vous référer à votre pays en ce qui concerne les informations que vous trouverez au dos de la couverture ou sur notre site web : www.bestwaycorp.com

Veuillez fournir votre adresse dans son intégralité. **Remarque:** Les adresses incomplètes porteront à des retards d'expédition. Bestway se réserve le droit de facturer le retour des colis non livrés quand la faute est imputable au destinataire.

INFORMATIONS REQUISES - VEUILLEZ ÉCRIRE L'ADRESSE DE LIVRAISON

Nom: _____ Adresse: _____

Code postal: _____ Distributeur: _____

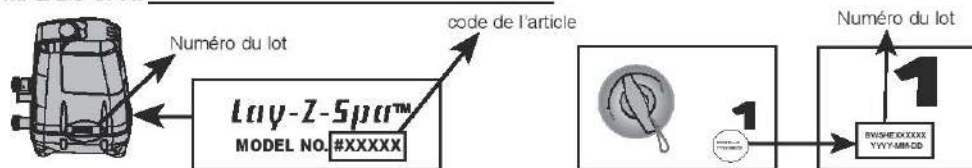
Pays: _____ Ville: _____

Mobile: _____ Téléphone: _____

Fax: _____ E-mail: _____

Numéro du lot de la POMPE DU SPA: _____ Numéro du lot de la piscine SPA: _____

Code de l'article POMPE DU SPA: _____



Les dessins ne sont qu'à titre d'illustration. Pas à l'échelle.

Description du problème

- Fuite au niveau du spa Le système de filtration de l'eau ne fonctionne pas Le système de chauffage ne fonctionne pas
- Le tableau de commande affiche une panne impossible à réparer Le système Massage ne fonctionne pas
- Fuite au niveau de la pompe Fuite au niveau de l'adaptateur Pièces manquantes – Veuillez utiliser le code pour la pièce manquante, vous pouvez le trouver sur la notice d'utilisation.
- Autre (Veuillez décrire)

IMPORTANT: SEULE LA PIÈCE ENDOMMAGÉE SERA REMPLACÉE, PAS L'ENSEMBLE COMPLET.

Bestway se réserve le droit de demander des photographies attestant l'état défectueux des pièces ou de demander l'envoi de l'article pour des tests supplémentaires. Pour mieux vous aider, nous demandons à ce que toutes les informations que vous fournissez soient complètes.

POUR LES FAQ, MANUELS, VIDÉOS OU PIÈCES DÉTACHÉES, VEUILLEZ VISITER NOTRE SITE WEB www.bestwaycorp.com.
LES VIDÉOS SONT ÉGALEMENT DISPONIBLES SUR NOTRE CHAÎNE BESTWAY SUR YOUTUBE : www.youtube.com/user/BestwayService.



ΠΕΡΙΕΧΟΜΕΝΑ

1. ΟΔΗΓΙΕΣ ΑΣΦΑΛΕΙΑΣ	Σ107
2. ΠΡΟΔΙΑΓΡΑΦΕΣ	Σ110
3. ΣΥΝΑΡΜΟΛΟΓΗΣΗ	Σ112
4. ΛΕΙΤΟΥΡΓΙΑ	Σ114
5. ΣΥΝΤΗΡΗΣΗ	Σ116
6. ΑΝΤΙΜΕΤΩΠΙΣΗ ΠΡΟΒΛΗΜΑΤΩΝ	Σ118
7. ΕΓΓΥΗΣΗ	Σ119



ΟΔΗΓΙΕΣ ΑΣΦΑΛΕΙΑΣ

ΚΑΤΑ ΤΗΝ ΕΓΚΑΤΑΣΤΑΣΗ ΚΑΙ ΤΗ ΧΡΗΣΗ ΑΥΤΟΥ ΤΟΥ ΗΛΕΚΤΡΙΚΟΥ ΕΞΟΠΛΙΣΜΟΥ, ΘΑ ΠΡΕΠΕΙ ΠΑΝΤΟΤΕ ΝΑ ΤΗΡΟΥΝΤΑΙ ΟΙ ΒΑΣΙΚΕΣ ΠΡΟΦΥΛΑΞΕΙΣ ΑΣΦΑΛΕΙΑΣ ΣΥΜΠΕΡΙΛΑΜΒΑΝΟΜΕΝΩΝ ΤΩΝ ΕΞΗΣ:

ΣΗΜΑΝΤΙΚΕΣ ΟΔΗΓΙΕΣ ΑΣΦΑΛΕΙΑΣ - ΔΙΑΒΑΣΤΕ ΚΑΙ ΑΚΟΛΟΥΘΗΣΤΕ ΟΛΕΣ ΤΙΣ ΟΔΗΓΙΕΣ.

ΠΡΟΕΙΔΟΠΟΙΗΣΗ:

- ΤΟ SPA ΠΡΕΠΕΙ ΝΑ ΤΡΟΦΟΔΟΤΕΙΤΑΙ ΜΕΣΩ ΕΝΟΣ ΜΕΤΑΣΧΗΜΑΤΙΣΤΗ ΑΠΟΜΟΝΩΣΗΣ Ή ΝΑ ΤΡΟΦΟΔΟΤΕΙΤΑΙ ΜΕΣΩ ΕΝΟΣ ΑΥΤΟΜΑΤΟΥ ΔΙΑΚΟΠΤΗ ΔΙΑΡΡΟΗΣ (RCD) ΜΕ ΟΝΟΜΑΣΤΙΚΟ ΡΕΥΜΑ ΔΙΑΡΡΟΗΣ ΠΟΥ ΔΕΝ ΥΠΕΡΒΑΙΝΕΙ ΤΑ 30mA.
- Η ΑΝΤΛΙΑ ΠΡΕΠΕΙ ΝΑ ΔΟΚΙΜΑΖΕΤΑΙ ΠΡΙΝ ΑΠΟ ΚΑΘΕ ΧΡΗΣΗ. ΓΙΑ ΤΗ ΔΟΚΙΜΗ, ΑΚΟΛΟΥΘΗΣΤΕ ΤΙΣ ΟΔΗΓΙΕΣ ΣΤΗΝ ΕΝΟΤΗΤΑ "ΔΟΚΙΜΗ ΑΝΤΛΙΑΣ" ΑΥΤΟΥ ΤΟΥ ΕΓΧΕΙΡΙΔΙΟΥ ΧΡΗΣΗΣ.
- ΕΑΝ ΤΟ ΚΑΛΩΔΙΟ ΤΡΟΦΟΔΟΣΙΑΣ ΕΧΕΙ ΥΠΟΣΤΕΙ ΒΛΑΒΗ, ΠΡΕΠΕΙ ΝΑ ΑΝΤΙΚΑΤΑΣΤΑΘΕΙ ΑΠΟ ΤΟΝ ΚΑΤΑΣΚΕΥΑΣΤΗ, ΤΟΝ ΑΝΤΙΠΡΟΣΩΠΟ ΣΕΡΒΙΣ Ή ΑΠΟ ΠΑΡΟΜΟΙΑ ΕΞΕΙΔΙΚΕΥΜΕΝΑ ΑΤΟΜΑ. ΠΡΟΚΕΙΜΕΝΟΥ ΝΑ ΑΠΟΦΕΥΧΘΕΙ Ο ΚΙΝΔΥΝΟΣ.
- ΓΙΑ ΤΗ ΜΕΙΩΣΗ ΤΟΥ ΚΙΝΔΥΝΟΥ ΗΛΕΚΤΡΟΠΛΗΞΙΑΣ, ΜΗΝ ΧΡΗΣΙΜΟΠΟΙΕΙΤΕ ΚΑΛΩΔΙΑ ΠΡΟΕΚΤΑΣΗΣ ΓΙΑ ΝΑ ΣΥΝΔΕΣΕΤΕ ΤΗ ΣΥΣΚΕΥΗ ΣΤΗΝ ΗΛΕΚΤΡΙΚΗ ΤΡΟΦΟΔΟΣΙΑ. ΦΡΟΝΤΙΣΤΕ ΩΣΤΕ ΝΑ ΕΙΝΑΙ ΔΙΑΘΕΣΙΜΗ ΜΙΑ ΣΩΣΤΑ ΤΟΠΟΘΕΤΗΜΕΝΗ ΠΑΡΟΧΗ ΡΕΥΜΑΤΟΣ.
- ΚΑΝΕΝΑ ΜΕΡΟΣ ΤΗΣ ΣΥΣΚΕΥΗΣ ΔΕΝ ΠΡΕΠΕΙ ΝΑ ΒΡΙΣΚΕΤΑΙ ΠΑΝΩ ΑΠΟ ΤΗΝ ΜΠΑΝΙΕΡΑ ΚΑΤΑ ΤΗ ΔΙΑΡΚΕΙΑ ΤΗΣ ΧΡΗΣΗΣ.
- ΤΜΗΜΑΤΑ ΠΟΥ ΠΕΡΙΕΧΟΥΝ ΗΛΕΚΤΡΟΦΟΡΑ ΕΞΑΡΤΗΜΑΤΑ, ΕΚΤΟΣ ΑΠΟ ΤΑ ΤΜΗΜΑΤΑ ΠΟΥ ΤΡΟΦΟΔΟΤΟΥΝΤΑΙ ΜΕ ΠΟΛΥ ΧΑΜΗΛΗ ΤΑΣΗ ΑΣΦΑΛΕΙΑΣ ΠΟΥ ΔΕΝ ΥΠΕΡΒΑΙΝΕΙ ΤΑ 12V, ΔΕΝ ΠΡΕΠΕΙ ΝΑ ΕΙΝΑΙ ΠΡΟΣΒΑΣΙΜΑ ΣΕ ΕΝΑ ΑΤΟΜΟ ΜΕΣΑ ΣΤΗΝ ΠΙΣΙΝΑ SPA. ΤΜΗΜΑΤΑ ΠΟΥ ΠΕΡΙΛΑΜΒΑΝΟΥΝ ΤΑ ΗΛΕΚΤΡΙΚΑ ΕΞΑΡΤΗΜΑΤΑ, ΕΚΤΟΣ ΑΠΟ ΣΥΣΚΕΥΕΣ ΤΗΛΕΧΕΙΡΙΣΜΟΥ, ΠΡΕΠΕΙ ΝΑ ΒΡΙΣΚΟΝΤΑΙ Ή ΝΑ ΣΤΕΡΕΩΝΟΝΤΑΙ ΕΤΣΙ ΩΣΤΕ ΝΑ ΜΗΝ ΜΠΟΡΟΥΝ ΝΑ ΠΕΣΟΥΝ ΜΕΣΑ ΣΤΗΝ ΠΙΣΙΝΑ SPA.
- Ο ΡΕΥΜΑΤΟΛΗΠΤΗΣ ΤΗΣ ΑΝΤΛΙΑΣ ΠΡΕΠΕΙ ΝΑ ΑΠΕΧΕΙ ΠΑΝΩ ΑΠΟ 3,5μ. ΑΠΟ ΤΟ SPA.
- ΜΕΤΑ ΤΗΝ ΕΓΚΑΤΑΣΤΑΣΗ ΤΟΥ SPA, Ο ΡΕΥΜΑΤΟΛΗΠΤΗΣ ΕΙΝΑΙ ΑΠΑΡΑΙΤΗΤΟ ΝΑ ΕΙΝΑΙ ΠΡΟΣΒΑΣΙΜΟΣ.
ΠΡΟΣΟΧΗ: ΠΡΟΚΕΙΜΕΝΟΥ ΝΑ ΑΠΟΦΕΥΧΘΕΙ ΚΙΝΔΥΝΟΣ ΛΟΓΩ ΑΚΟΥΣΙΑΣ ΕΠΑΝΑΦΟΡΑΣ ΤΟΥ ΘΕΡΜΙΚΟΥ ΔΙΑΚΟΠΤΗ, Η ΣΥΣΚΕΥΗ ΑΥΤΗ ΔΕΝ ΠΡΕΠΕΙ ΝΑ ΤΡΟΦΟΔΟΤΕΙΤΑΙ ΜΕΣΩ ΜΙΑΣ ΕΞΩΤΕΡΙΚΗΣ ΣΥΣΚΕΥΗΣ ΕΝΕΡΓΟΠΟΙΗΣΗΣ, ΟΠΩΣ ΕΝΑΣ ΧΡΟΝΟΔΙΑΚΟΠΤΗΣ, Ή ΝΑ ΣΥΝΔΕΘΕΙ ΣΕ ΕΝΑ ΚΥΚΛΩΜΑ ΠΟΥ ΤΑΚΤΙΚΑ ΕΝΕΡΓΟΠΟΙΕΙΤΑΙ ΚΑΙ ΑΠΕΝΕΡΓΟΠΟΙΕΙΤΑΙ ΑΠΟ ΤΗΝ ΠΑΡΟΧΗ.
ΜΕΤΑ ΤΗ ΧΡΗΣΗ ΤΟΥ SPA ΓΙΑ 3-5 ΧΡΟΝΙΑ, ΘΑ ΠΡΕΠΕΙ ΝΑ ΕΠΙΚΟΙΝΩΝΗΣΕΤΕ ΜΕ ΤΟΝ ΤΟΠΙΚΟ ΣΑΣ ΚΑΤΑΡΤΙΣΜΕΝΟ ΤΕΧΝΙΚΟ ΣΥΝΤΗΡΗΣΗΣ ΓΙΑ ΝΑ ΕΞΑΣΦΑΛΙΣΤΕΙ Η ΑΣΦΑΛΕΙΑ ΚΑΙ Η ΑΠΟΔΟΣΗ ΤΟΥ SPA. ΤΑ ΚΥΡΙΑ ΕΞΑΡΤΗΜΑΤΑ, ΟΠΩΣ ΤΟ ΘΕΡΜΑΝΤΙΚΟ ΣΤΟΙΧΕΙΟ, ΤΟ ΜΟΤΕΡ ΦΥΣΗΤΗΡΑ ΑΕΡΑ ΚΑΙ ΟΙ ΒΑΛΒΙΔΕΣ ΑΝΤΕΠΙΣΤΡΟΦΗΣ ΕΝΤΟΣ ΤΗΣ ΗΛΕΚΤΡΙΚΗΣ ΜΟΝΑΔΑΣ ΘΑ ΠΡΕΠΕΙ ΝΑ ΕΛΕΓΧΟΝΤΑΙ ΚΑΙ ΝΑ ΑΝΤΙΚΑΘΙΣΤΑΝΤΑΙ (ΕΑΝ ΧΡΕΙΑΖΕΤΑΙ) ΑΠΟ ΕΠΑΓΓΕΛΜΑΤΙΕΣ.
ΠΡΟΕΙΔΟΠΟΙΗΣΗ: ΔΙΑΤΗΡΕΙΤΕ ΠΑΝΤΑ ΤΟ ΡΕΥΜΑΤΟΛΗΠΤΗ ΣΤΕΓΝΟ, Η ΣΥΝΔΕΣΗ ΜΕ ΒΡΕΓΜΕΝΟ ΡΕΥΜΑΤΟΛΗΠΤΗ ΑΠΑΓΟΡΕΥΕΤΑΙ ΑΥΣΤΗΡΑ!

ΤΟ SPA ΠΡΕΠΕΙ ΝΑ ΤΡΟΦΟΔΟΤΕΙΤΑΙ ΑΠΟ ΜΙΑ ΓΕΙΩΜΕΝΗ ΠΗΓΗ ΤΡΟΦΟΔΟΣΙΑΣ.

- **ΓΙΑ ΤΗΝ ΑΠΟΦΥΓΗ ΗΛΕΚΤΡΟΠΛΗΞΙΑΣ, ΜΗΝ ΧΡΗΣΙΜΟΠΟΙΕΙΤΕ ΤΟ SPA ΟΤΑΝ ΒΡΕΧΕΙ.**
- ΠΟΤΕ ΜΗ ΦΟΡΑΤΕ ΤΟΥΣ ΦΑΚΟΥΣ ΕΠΑΦΗΣ ΟΤΑΝ ΒΡΙΣΚΕΣΤΕ ΜΕΣΑ ΣΤΟ SPA.
- ΜΗΝ ΧΡΗΣΙΜΟΠΟΙΕΙΤΕ ΤΟ SPA ΚΑΤΑ ΤΗ ΔΙΑΡΚΕΙΑ ΤΗΣ ΧΗΜΙΚΗΣ ΣΥΝΤΗΡΗΣΗΣ.
- Η ΠΗΓΗ ΤΡΟΦΟΔΟΣΙΑΣ ΣΤΟΝ ΤΟΙΧΟ ΤΟΥ ΚΤΗΡΙΟΥ ΘΑ ΠΡΕΠΕΙ ΝΑ ΕΙΝΑΙ ΣΕ ΑΠΟΣΤΑΣΗ ΜΕΓΑΛΥΤΕΡΗ ΤΩΝ 4 μ. ΑΠΟ ΤΗΝ ΠΙΣΙΝΑ ΚΑΙ ΣΕ ΕΝΑ ΥΨΟΣ ΤΟΥΛΑΧΙΣΤΟΝ 1,2 μ.
- ΔΕΝ ΕΠΙΤΡΕΠΕΤΑΙ Η ΧΡΗΣΗ ΚΑΛΩΔΙΩΝ ΕΠΕΚΤΑΣΗΣ.
- ΜΗ ΣΥΝΔΕΕΤΕ Ή ΑΠΟΣΥΝΔΕΑΤΕ ΤΗ ΣΥΣΚΕΥΗ ΜΕ ΒΡΕΓΜΕΝΑ ΧΕΡΙΑ.
- ΠΑΝΤΟΤΕ ΑΠΟΣΥΝΔΕΕΤΕ ΤΗ ΣΥΣΚΕΥΗ:
 - ΣΕ ΒΡΟΧΕΡΕΣ ΗΜΕΡΕΣ
 - ΠΡΙΝ ΤΟΝ ΚΑΘΑΡΙΣΜΟ Ή ΑΠΟ ΑΛΛΗ ΣΥΝΤΗΡΗΣΗ
 - ΕΑΝ ΤΗΝ ΑΦΗΣΤΕ ΧΩΡΙΣ ΕΠΙΒΛΕΨΗ ΚΑΤΑ ΤΗ ΔΙΑΡΚΕΙΑ ΤΩΝ ΔΙΑΚΟΠΩΝ
- Ο ΚΑΘΑΡΙΣΜΟΣ ΚΑΙ Η ΣΥΝΤΗΡΗΣΗ ΠΡΕΠΕΙ ΝΑ ΓΙΝΕΤΑΙ ΑΠΟ ΕΝΑΝ ΕΝΗΛΙΚΑ ΗΛΙΚΙΑΣ ΑΝΩ ΤΩΝ 18 ΕΤΩΝ, Ο ΟΠΟΙΟΣ ΓΝΩΡΙΖΕΙ ΤΟΝ ΚΙΝΔΥΝΟ ΤΗΣ ΗΛΕΚΤΡΟΠΛΗΞΙΑΣ.
- ΟΤΑΝ Η ΣΥΣΚΕΥΗ ΔΕΝ ΠΡΟΚΕΙΤΑΙ ΝΑ ΧΡΗΣΙΜΟΠΟΙΗΘΕΙ ΓΙΑ ΜΕΓΑΛΟ ΧΡΟΝΙΚΟ ΔΙΑΣΤΗΜΑ, ΟΠΩΣ ΤΟΝ ΧΕΙΜΩΝΑ, ΤΟ ΣΕΤ SPA Ή ΠΙΣΙΝΑΣ ΘΑ ΠΡΕΠΕΙ ΝΑ ΑΠΟΣΥΝΑΡΜΟΛΟΓΗΘΕΙ ΚΑΙ ΝΑ ΑΠΟΘΗΚΕΥΤΕΙ ΣΕ ΕΞΩΤΕΡΙΚΟ ΧΩΡΟ.

- **ΠΡΟΣΟΧΗ:** ΔΙΑΒΑΣΤΕ ΤΙΣ ΟΔΗΓΙΕΣ ΠΡΙΝ ΧΡΗΣΙΜΟΠΟΙΗΣΕΤΕ ΤΗ ΣΥΣΚΕΥΗ ΚΑΙ ΚΑΘΕ ΦΟΡΑ ΠΡΙΝ ΤΗΝ ΕΓΚΑΤΑΣΤΑΣΗ Ή ΕΠΑΝΑΣΥΝΑΡΜΟΛΟΓΗΣΗ ΤΗΣ ΣΥΣΚΕΥΗΣ.
- ΦΥΛΑΞΤΕ ΤΙΣ ΟΔΗΓΙΕΣ ΜΕ ΑΣΦΑΛΕΙΑ. ΕΑΝ ΧΑΣΕΤΕ ΤΙΣ ΟΔΗΓΙΕΣ, ΠΑΡΑΚΑΛΟΥΜΕ ΕΠΙΚΟΙΝΩΝΗΣΤΕ ΜΕ ΤΟΝ ΚΑΤΑΣΚΕΥΑΣΤΗ Ή ΚΑΤΕΒΑΣΤΕ ΕΝΑ ΑΝΤΙΓΡΑΦΟ ΑΠΟ ΤΗΝ www.bestwaycorp.com
- **ΠΡΟΕΙΔΟΠΟΙΗΣΗ: ΓΙΑ ΛΟΓΟΥΣ ΗΛΕΚΤΡΙΚΗΣ ΑΣΦΑΛΕΙΑΣ, ΤΟ ΚΑΛΩΔΙΟ ΤΡΟΦΟΔΟΣΙΑΣ ΠΕΡΙΛΑΜΒΑΝΕΙ ΜΙΑ ΣΥΣΚΕΥΗ PRCD. ΕΑΝ ΑΝΙΧΝΕΥΘΕΙ ΡΕΥΜΑ ΔΙΑΡΡΟΗΣ ΜΕΓΑΛΥΤΕΡΟ ΑΠΟ 10mA, Η ΣΥΣΚΕΥΗ ΘΑ ΕΝΕΡΓΟΠΟΙΗΘΕΙ ΚΑΙ ΘΑ ΔΙΑΚΟΨΕΙ ΤΗΝ ΤΡΟΦΟΔΟΣΙΑ. ΣΕ ΜΙΑ ΤΕΤΟΙΑ ΠΕΡΙΠΤΩΣΗ, ΠΑΡΑΚΑΛΟΥΜΕ ΑΠΟΣΥΝΔΕΣΤΕ ΑΠΟ ΤΗΝ ΤΡΟΦΟΔΟΣΙΑ ΚΑΙ ΣΤΑΜΑΤΗΣΤΕ ΑΜΕΣΩΣ ΤΗ ΧΡΗΣΗ ΤΟΥ SPA. ΜΗΝ ΕΠΑΝΑΦΕΡΕΤΕ ΤΟ ΠΡΟΪΟΝ ΜΟΝΟΙ ΣΑΣ. ΠΡΕΠΕΙ ΝΑ ΑΠΕΥΘΥΝΘΕΙΤΕ ΣΤΟ ΤΟΠΙΚΟ ΣΕΡΒΙΣ ΓΙΑ ΝΑ ΕΛΕΓΞΕΙ ΚΑΙ ΝΑ ΕΠΙΣΚΕΥΑΣΕΙ ΤΟ ΠΡΟΪΟΝ.**
- Η ΣΥΣΚΕΥΗ ΑΥΤΗ ΔΕΝ ΠΡΟΟΡΙΖΕΤΑΙ ΓΙΑ ΧΡΗΣΗ ΑΠΟ ΑΤΟΜΑ (ΣΥΜΠΕΡΙΛΑΜΒΑΝΟΜΕΝΩΝ ΚΑΙ ΠΑΙΔΙΩΝ) ΜΕ ΜΕΙΩΜΕΝΕΣ ΣΩΜΑΤΙΚΕΣ, ΑΙΣΘΗΤΙΚΕΣ Ή ΝΟΗΤΙΚΕΣ ΙΚΑΝΟΤΗΤΕΣ Ή ΕΛΛΕΙΨΗ ΕΜΠΕΙΡΙΑΣ ΚΑΙ ΓΝΩΣΗΣ ΕΑΝ ΤΟΥΣ ΕΧΕΙ ΠΑΡΑΣΧΕΘΕΙ ΕΠΙΤΗΡΗΣΗ Ή ΚΑΘΟΔΗΓΗΣΗ ΣΧΕΤΙΚΑ ΜΕ ΤΗ ΧΡΗΣΗ ΤΗΣ ΣΥΣΚΕΥΗΣ ΑΠΟ ΑΤΟΜΟ ΥΠΕΥΘΥΝΟ ΓΙΑ ΤΗΝ ΑΣΦΑΛΕΙΑ ΤΟΥΣ. ΤΑ ΠΑΙΔΙΑ ΘΑ ΠΡΕΠΕΙ ΝΑ ΕΠΙΤΗΡΟΥΝΤΑΙ ΩΣΤΕ ΝΑ ΕΞΑΣΦΑΛΙΣΤΕΙ ΟΤΙ ΔΕΝ ΠΑΙΖΟΥΝ ΜΕ ΑΥΤΗ ΤΗ ΣΥΣΚΕΥΗ. (ΓΙΑ ΤΗΝ ΑΓΟΡΑ ΕΚΤΟΣ ΤΗΣ ΕΕ)
- Η ΣΥΣΚΕΥΗ ΑΥΤΗ ΜΠΟΡΕΙ ΝΑ ΧΡΗΣΙΜΟΠΟΙΗΘΕΙ ΑΠΟ ΠΑΙΔΙΑ ΗΛΙΚΙΑΣ 8 ΕΤΩΝ ΚΑΙ ΑΝΩ ΚΑΙ ΑΠΟ ΑΤΟΜΑ ΜΕ ΜΕΙΩΜΕΝΕΣ ΣΩΜΑΤΙΚΕΣ, ΑΙΣΘΗΤΙΚΕΣ Ή ΝΟΗΤΙΚΕΣ ΙΚΑΝΟΤΗΤΕΣ Ή ΕΛΛΕΙΨΗ ΕΜΠΕΙΡΙΑΣ ΚΑΙ ΓΝΩΣΗΣ ΕΑΝ ΤΟΥΣ ΕΧΕΙ ΠΑΡΑΣΧΕΘΕΙ ΕΠΙΤΗΡΗΣΗ Ή ΚΑΘΟΔΗΓΗΣΗ ΣΧΕΤΙΚΑ ΜΕ ΤΗ ΧΡΗΣΗ ΤΗΣ ΣΥΣΚΕΥΗΣ ΜΕ ΑΣΦΑΛΗ ΤΡΟΠΟ ΩΣΤΕ ΝΑ ΚΑΤΑΝΟΟΥΝ ΤΟΥΣ ΚΙΝΔΥΝΟΥΣ ΠΟΥ ΥΠΑΡΧΟΥΝ. ΤΑ ΠΑΙΔΙΑ ΔΕΝ ΠΡΕΠΕΙ ΝΑ ΠΑΙΖΟΥΝ ΜΕ ΤΗ ΣΥΣΚΕΥΗ. Ο ΚΑΘΑΡΙΣΜΟΣ ΚΑΙ Η ΣΥΝΤΗΡΗΣΗ ΔΕΝ ΠΡΕΠΕΙ ΝΑ ΠΡΑΓΜΑΤΟΠΟΙΕΙΤΑΙ ΑΠΟ ΠΑΙΔΙΑ ΧΩΡΙΣ ΕΠΙΤΗΡΗΣΗ. (ΓΙΑ ΤΗΝ ΑΓΟΡΑ ΤΗΣ ΕΕ)
- ΤΟ ΝΕΡΟ ΠΡΟΣΕΛΚΥΕΙ ΤΑ ΠΑΙΔΙΑ, ΠΑΝΤΟΤΕ ΤΟΠΟΘΕΤΕΙΤΕ ΕΝΑ ΚΑΛΥΜΜΑ SPA ΜΕΤΑ ΑΠΟ ΚΑΘΕ ΧΡΗΣΗ.
- ΜΗΝ ΘΑΒΕΤΕ ΚΑΛΩΔΙΑ. ΤΟΠΟΘΕΤΗΣΤΕ ΤΟ ΚΑΛΩΔΙΟ ΕΤΣΙ ΩΣΤΕ ΝΑ ΕΛΑΧΙΣΤΟΠΟΙΗΘΕΙ Ο ΚΙΝΔΥΝΟΣ ΑΠΟ ΧΛΟΟΚΟΠΤΙΚΑ, ΘΑΜΝΟΚΟΠΤΙΚΑ ΚΑΙ ΆΛΛΟΝ ΕΞΟΠΛΙΣΜΟ.
- ΚΙΝΔΥΝΟΣ ΤΥΧΑΙΟΥ ΠΝΙΓΜΟΥ. ΠΡΕΠΕΙ ΝΑ ΕΠΙΔΕΙΚΝΥΕΤΑΙ ΙΔΙΑΙΤΕΡΗ ΠΡΟΣΟΧΗ ΓΙΑ ΤΗΝ ΑΠΟΤΡΟΠΗ ΜΗ ΕΞΟΥΣΙΟΔΟΤΗΜΕΝΗΣ ΠΡΟΣΒΑΣΗΣ ΑΠΟ ΠΑΙΔΙΑ. ΓΙΑ ΤΗΝ ΑΠΟΤΡΟΠΗ ΑΤΥΧΗΜΑΤΩΝ, ΕΞΑΣΦΑΛΙΣΤΕ ΟΤΙ ΤΑ ΠΑΙΔΙΑ ΔΕΝ ΧΡΗΣΙΜΟΠΟΙΟΥΝ ΑΥΤΟ ΤΟ SPA ΕΚΤΟΣ ΕΑΝ ΕΠΙΤΗΡΟΥΝΤΑΙ.
- **ΚΙΝΔΥΝΟΣ ΤΡΑΥΜΑΤΙΣΜΟΥ.** ΠΟΤΕ ΜΗ ΧΡΗΣΙΜΟΠΟΙΕΙΤΕ ΤΟ SPA, ΕΑΝ ΟΙ ΣΩΛΗΝΕΣ ΕΙΣΟΔΟΥ / ΕΞΟΔΟΥ ΕΙΝΑΙ ΣΠΑΣΜΕΝΟΙ Ή ΛΕΙΠΟΥΝ. ΠΟΤΕ ΜΗΝ ΕΠΙΧΕΙΡΗΣΕΤΕ ΝΑ ΑΝΤΙΚΑΤΑΣΤΗΣΕΤΕ ΤΟΥΣ ΣΩΛΗΝΕΣ ΕΙΣΟΔΟΥ / ΕΞΟΔΟΥ. ΠΑΝΤΟΤΕ ΣΥΜΒΟΥΛΕΥΕΣΤΕ ΤΟ ΤΟΠΙΚΟ ΚΕΝΤΡΟ ΣΕΡΒΙΣ ΜΕΤΑ ΤΗΝ ΠΩΛΗΣΗ.
- **ΚΙΝΔΥΝΟΣ ΗΛΕΚΤΡΟΠΛΗΞΙΑΣ.** ΕΓΚΑΤΑΣΤΗΣΤΕ ΤΟΥΛΑΧΙΣΤΟΝ ΣΕ ΑΠΟΣΤΑΣΗ 2m ΑΠΟ ΟΛΕΣ ΤΙΣ ΜΕΤΑΛΛΙΚΕΣ ΕΠΙΦΑΝΕΙΕΣ.
- **ΚΙΝΔΥΝΟΣ ΗΛΕΚΤΡΟΠΛΗΞΙΑΣ.** ΠΟΤΕ ΜΗΝ ΧΡΗΣΙΜΟΠΟΙΕΙΤΕ ΟΠΟΙΑΔΗΠΟΤΕ ΗΛΕΚΤΡΙΚΗ ΣΥΣΚΕΥΗ ΟΤΑΝ ΕΙΣΤΕ ΜΕΣΑ ΣΤΟ SPA Ή ΟΤΑΝ ΤΟ ΣΩΜΑ ΣΑΣ ΕΙΝΑΙ ΒΡΕΓΜΕΝΟ. ΠΟΤΕ ΜΗΝ ΤΟΠΟΘΕΤΗΣΕΤΕ ΟΠΟΙΑΔΗΠΟΤΕ ΗΛΕΚΤΡΙΚΗ ΣΥΣΚΕΥΗ, ΟΠΩΣ ΕΝΑ ΦΩΣ, ΤΗΛΕΦΩΝΟ, ΡΑΔΙΟΦΩΝΟ Ή ΤΗΛΕΟΡΑΣΗ ΣΕ ΑΠΟΣΤΑΣΗ ΜΙΚΡΟΤΕΡΗ ΑΠΟ 2 Μ. ΑΠΟ ΤΟ SPA.
- ΚΑΤΑ ΤΗΝ ΕΓΚΥΜΟΣΥΝΗ, Η ΠΑΡΑΜΟΝΗ ΣΕ ΖΕΣΤΟ ΝΕΡΟ ΜΠΟΡΕΙ ΝΑ ΠΡΟΚΑΛΕΣΕΙ ΒΛΑΒΗ ΣΤΟ ΕΜΒΡΥΟ. ΠΕΡΙΟΡΙΣΤΕ ΤΗΝ ΧΡΗΣΗ ΣΤΑ 10 ΛΕΠΤΑ ΚΑΘΕ ΦΟΡΑ.
- **ΓΙΑ ΝΑ ΜΕΙΩΣΕΤΕ ΤΟΝ ΚΙΝΔΥΝΟ ΤΡΑΥΜΑΤΙΣΜΟΥ:**
 - Α. ΤΟ ΝΕΡΟ ΣΕ ΕΝΑ SPA ΔΕΝ ΠΡΕΠΕΙ ΠΟΤΕ ΝΑ ΥΠΕΡΒΑΙΝΕΙ ΤΟΥΣ 40°C (104°F). ΘΕΡΜΟΚΡΑΣΙΑ ΝΕΡΟΥ ΜΕΤΑΞΥ 38°C (100°F) ΚΑΙ 40°C (104°F) ΘΕΩΡΕΙΤΑΙ ΑΣΦΑΛΗΣ ΓΙΑ ΕΝΑΝ ΥΓΙΗΝ ΗΛΙΚΙΑ. ΣΥΝΙΣΤΩΝΤΑΙ ΧΑΜΗΛΟΤΕΡΕΣ ΘΕΡΜΟΚΡΑΣΙΕΣ ΝΕΡΟΥ ΓΙΑ ΜΙΚΡΑ ΠΑΙΔΙΑ ΚΑΙ ΟΤΑΝ Η ΧΡΗΣΗ ΤΟΥ SPA ΥΠΕΡΒΑΙΝΕΙ ΤΑ 10 ΛΕΠΤΑ.
 - Β. ΕΦΟΣΟΝ ΟΙ ΥΠΕΡΒΟΛΙΚΕΣ ΘΕΡΜΟΚΡΑΣΙΕΣ ΝΕΡΟΥ ΕΧΟΥΝ ΜΕΓΑΛΗ ΠΙΘΑΝΟΤΗΤΑ ΝΑ ΠΡΟΚΑΛΕΣΟΥΝ ΒΛΑΒΗ ΣΤΟ ΕΜΒΡΥΟ ΚΑΤΑ ΤΟΥΣ ΠΡΩΤΟΥΣ ΜΗΝΕΣ ΤΗΣ ΕΓΚΥΜΟΣΥΝΗΣ, ΟΙ ΕΓΚΥΕΣ Ή ΟΙ ΠΙΘΑΝΑ ΕΓΚΥΕΣ ΓΥΝΑΙΚΕΣ ΘΑ ΠΡΕΠΕΙ ΝΑ ΠΕΡΙΟΡΙΖΟΥΝ ΤΗ ΘΕΡΜΟΚΡΑΣΙΑ ΤΟΥ ΝΕΡΟΥ ΤΟΥ SPA ΣΤΟΥΣ 38°C (100°F).
 - Γ. ΠΡΙΝ ΤΗΝ ΕΙΣΟΔΟ ΣΤΟ SPA, Ο ΧΡΗΣΤΗΣ ΘΑ ΠΡΕΠΕΙ ΝΑ ΜΕΤΡΗΣΕΙ ΤΗ ΘΕΡΜΟΚΡΑΣΙΑ ΤΟΥ ΝΕΡΟΥ ΜΕ ΕΝΑ ΑΚΡΙΒΕΣ ΘΕΡΜΟΜΕΤΡΟ ΔΕΔΟΜΕΝΟΥ ΟΤΙ Η ΑΝΟΧΗ ΤΩΝ ΣΥΣΚΕΥΩΝ ΡΥΘΜΙΣΗΣ ΘΕΡΜΟΚΡΑΣΙΑΣ ΤΟΥ ΝΕΡΟΥ ΔΙΑΦΕΡΕΙ.
 - Δ. Η ΧΡΗΣΗ ΑΛΚΟΟΛ, ΝΑΡΚΩΤΙΚΩΝ Ή ΦΑΡΜΑΚΩΝ ΠΡΙΝ Ή ΚΑΤΑ ΤΗ ΧΡΗΣΗ ΤΟΥ SPA ΜΠΟΡΕΙ ΝΑ ΟΔΗΓΗΣΕΙ ΣΕ ΑΠΩΛΕΙΑ ΤΩΝ ΑΙΣΘΗΣΕΩΝ ΚΑΙ ΠΝΙΓΜΟ.
 - Ε. ΠΑΧΥΣΑΡΚΑ ΑΤΟΜΑ ΚΑΙ ΑΤΟΜΑ ΜΕ ΙΣΤΟΡΙΚΟ ΚΑΡΔΙΑΚΗΣ ΝΟΣΟΥ, ΧΑΜΗΛΗ Ή ΥΨΗΛΗ ΑΡΤΗΡΙΑΚΗ ΠΙΕΣΗ, ΠΡΟΒΛΗΜΑΤΑ ΤΟΥ ΚΥΚΛΟΦΟΡΙΚΟΥ ΣΥΣΤΗΜΑΤΟΣ, Ή ΔΙΑΒΗΤΗ ΘΑ ΠΡΕΠΕΙ ΝΑ ΣΥΜΒΟΥΛΕΥΤΟΥΝ ΕΝΑ ΓΙΑΤΡΟ ΠΡΙΝ ΑΠΟ ΤΗ ΧΡΗΣΗ ΤΟΥ SPA.
 - Φ. ΑΤΟΜΑ ΠΟΥ ΚΑΝΟΥΝ ΧΡΗΣΗ ΦΑΡΜΑΚΩΝ ΘΑ ΠΡΕΠΕΙ ΝΑ ΣΥΜΒΟΥΛΕΥΤΟΥΝ ΕΝΑ ΓΙΑΤΡΟ ΠΡΙΝ ΑΠΟ ΤΗ ΧΡΗΣΗ ΤΟΥ SPA ΔΙΟΤΙ ΟΡΙΣΜΕΝΑ ΦΑΡΜΑΚΑ ΜΠΟΡΕΙ ΝΑ ΠΡΟΚΑΛΕΣΟΥΝ ΥΠΙΠΝΗΛΙΑ, ΕΝΩ ΆΛΛΑ ΦΑΡΜΑΚΑ ΜΠΟΡΕΙ ΝΑ ΕΠΗΡΕΑΣΟΥΝ ΤΟΝ ΚΑΡΔΙΑΚΟ ΡΥΘΜΟ, ΤΗΝ ΑΡΤΗΡΙΑΚΗ ΠΙΕΣΗ ΚΑΙ ΤΗΝ ΚΥΚΛΟΦΟΡΙΑ.
- **ΓΙΑ ΝΑ ΜΕΙΩΣΕΤΕ ΤΟΝ ΚΙΝΔΥΝΟ ΤΡΑΥΜΑΤΙΣΜΟΥ:** ΠΟΤΕ ΜΗΝ ΡΙΧΝΕΤΕ ΝΕΡΟ ΜΕ ΘΕΡΜΟΚΡΑΣΙΑ ΥΨΗΛΟΤΕΡΗ ΤΩΝ 40°C (104°F) ΑΠΕΥΘΕΙΑΣ ΜΕΣΑ ΣΤΗΝ ΠΙΣΙΝΑ SPA.
- Η ΧΡΗΣΗ ΑΛΚΟΟΛ, ΝΑΡΚΩΤΙΚΩΝ Ή ΦΑΡΜΑΚΩΝ ΜΠΟΡΕΙ ΝΑ ΑΥΞΗΣΕΙ ΣΗΜΑΝΤΙΚΑ ΤΟΝ ΚΙΝΔΥΝΟ ΘΑΝΑΤΗΦΟΡΑΣ ΥΠΕΡΘΕΡΜΙΑΣ. ΥΠΕΡΘΕΡΜΙΑ ΣΗΜΕΙΩΝΕΤΑΙ ΟΤΑΝ Η ΕΣΩΤΕΡΙΚΗ ΘΕΡΜΟΚΡΑΣΙΑ ΤΟΥ ΣΩΜΑΤΟΣ ΦΤΑΣΕΙ ΣΕ ΕΝΑ ΕΠΙΠΕΔΟ ΠΟΥ ΕΙΝΑΙ ΑΡΚΕΤΟΥΣ ΒΑΘΜΟΥΣ ΠΑΝΩ ΑΠΟ ΤΗΝ ΚΑΝΟΝΙΚΗ ΘΕΡΜΟΚΡΑΣΙΑ ΣΩΜΑΤΟΣ ΤΩΝ 37°C (98.6°F). ΤΑ ΣΥΜΠΤΩΜΑΤΑ ΤΗΣ ΥΠΕΡΘΕΡΜΙΑΣ ΠΕΡΙΛΑΜΒΑΝΟΥΝ ΑΥΞΗΣΗ ΤΗΣ ΕΣΩΤΕΡΙΚΗΣ ΘΕΡΜΟΚΡΑΣΙΑΣ ΤΟΥ ΣΩΜΑΤΟΣ, ΖΑΛΗ, ΛΗΘΑΡΓΟ, ΥΠΙΠΝΗΛΙΑ, ΚΑΙ ΛΙΠΟΘΥΜΙΑ. ΤΑ ΑΠΟΤΕΛΕΣΜΑΤΑ ΤΗΣ ΥΠΕΡΘΕΡΜΙΑΣ ΠΕΡΙΛΑΜΒΑΝΟΥΝ ΑΝΙΚΑΝΟΤΗΤΑ ΑΝΤΙΛΗΨΗΣ ΤΗΣ ΘΕΡΜΟΤΗΤΑΣ, ΑΔΥΝΑΜΙΑ ΑΝΑΓΝΩΡΙΣΗΣ ΤΗΣ ΑΝΑΓΚΗΣ ΕΞΟΔΟΥ ΑΠΟ ΤΟ SPA Ή ΤΟ ΥΔΡΟΜΑΣΑΖ, ΑΓΝΟΙΑ ΤΟΥ ΕΠΙΚΕΙΜΕΝΟΥ ΚΙΝΔΥΝΟΥ, ΕΜΒΡΥΪΚΗ ΒΛΑΒΗ ΣΕ ΕΓΚΥΕΣ ΓΥΝΑΙΚΕΣ, ΦΥΣΙΚΗ ΑΔΥΝΑΜΙΑ ΕΞΟΔΟΥ ΑΠΟ ΤΟ SPA Ή ΥΔΡΟΜΑΣΑΖ ΚΑΙ ΑΠΩΛΕΙΑ ΤΩΝ ΑΙΣΘΗΣΕΩΝ ΜΕ ΑΠΟΤΕΛΕΣΜΑ ΤΟΝ ΚΙΝΔΥΝΟ ΠΝΙΓΜΟΥ.
- ΟΙ ΗΛΕΚΤΡΙΚΕΣ ΕΓΚΑΤΑΣΤΑΣΕΙΣ ΘΑ ΠΡΕΠΕΙ ΝΑ ΑΚΟΛΟΥΘΟΥΝ ΤΟΥΣ ΕΘΝΙΚΟΥΣ ΚΑΝΟΝΕΣ ΚΑΛΩΔΙΩΣΗΣ, ΣΥΜΒΟΥΛΕΥΤΕΙΤΕ ΕΝΑΝ ΠΙΣΤΟΠΟΙΗΜΕΝΟ ΗΛΕΚΤΡΟΛΟΓΟ ΓΙΑ ΟΠΟΙΕΣΔΗΠΟΤΕ ΕΡΩΤΗΣΕΙΣ.

ΣΥΜΒΟΥΛΕΥΤΕΙΤΕ ΤΟ ΓΙΑΤΡΟ ΣΑΣ.

ΠΡΟΣΟΧΗ:

- ΤΟ SPA ΔΕΝ ΠΡΕΠΕΙ ΝΑ ΤΟΠΟΘΕΤΕΙΤΑΙ Ή ΝΑ ΠΑΡΑΜΕΝΕΙ ΣΤΟ ΥΠΑΙΘΡΟ ΣΕ ΘΕΡΜΟΚΡΑΣΙΑ ΧΑΜΗΛΟΤΕΡΗ ΤΩΝ 4°C (40°F).
- ΜΗΝ ΧΡΗΣΙΜΟΠΟΙΕΙΤΕ ΤΟ SPA ΜΟΝΟΙ ΣΑΣ.
- ΑΤΟΜΑ ΜΕ ΛΟΙΜΩΔΗ ΝΟΣΗΜΑΤΑ ΔΕΝ ΠΡΕΠΕΙ ΝΑ ΧΡΗΣΙΜΟΠΟΙΟΥΝ ΕΝΑ SPA.
- ΜΗΝ ΧΡΗΣΙΜΟΠΟΙΕΙΤΕ ΤΟ SPA ΑΜΕΣΩΣ ΜΕΤΑ ΑΠΟ ΕΝΤΟΝΗ ΑΣΚΗΣΗ.
- ΠΑΝΤΟΤΕ ΕΙΣΕΡΧΕΣΤΕ ΚΑΙ ΕΞΕΡΧΕΣΤΕ ΑΠΟ ΤΟ SPA ΑΡΓΑ ΚΑΙ ΠΡΟΣΕΚΤΙΚΑ. ΟΙ ΥΓΡΕΣ ΕΠΙΦΑΝΕΙΕΣ ΕΙΝΑΙ ΟΛΙΣΘΗΡΕΣ.
- ΓΙΑ ΑΠΟΦΥΓΗ ΒΛΑΒΗΣ ΣΤΗΝ ΑΝΤΛΙΑ, ΤΟ SPA ΔΕΝ ΠΡΕΠΕΙ ΠΟΤΕ ΝΑ ΛΕΙΤΟΥΡΓΕΙ ΕΑΝ ΔΕΝ ΕΙΝΑΙ ΓΕΜΑΤΟ ΜΕ ΝΕΡΟ.
- ΕΓΚΑΤΑΛΕΙΨΤΕ ΑΜΕΣΩΣ ΤΟ SPA ΕΑΝ Ο ΧΡΗΣΤΗΣ ΑΙΣΘΑΝΘΕΙ ΑΒΟΛΑ Ή ΥΠΝΗΛΙΑ.
- ΠΟΤΕ ΜΗΝ ΠΡΟΣΘΕΤΕΤΕ ΝΕΡΟ ΣΕ ΧΗΜΙΚΑ. ΠΑΝΤΟΤΕ ΠΡΟΣΘΕΤΕΤΕ ΧΗΜΙΚΑ ΣΤΟ ΝΕΡΟ ΓΙΑ ΝΑ ΑΠΟΦΥΓΕΤΕ ΙΣΧΥΡΕΣ ΑΝΑΘΥΜΙΑΣΕΙΣ Ή ΒΙΑΙΕΣ ΑΝΤΙΔΡΑΣΕΙΣ ΠΟΥ ΜΠΟΡΕΙ ΝΑ ΠΡΟΚΑΛΕΣΟΥΝ ΨΕΚΑΣΜΟ ΕΠΙΚΙΝΔΥΝΟΥ ΧΗΜΙΚΟΥ.
- ΣΕ ΟΤΙ ΑΦΟΡΑ ΤΙΣ ΠΛΗΡΟΦΟΡΙΕΣ ΣΧΕΤΙΚΑ ΜΕ ΤΟΝ ΚΑΘΑΡΙΣΜΟ, ΤΗ ΣΥΝΤΗΡΗΣΗ ΤΟΥ ΝΕΡΟΥ ΚΑΙ ΤΗΝ ΑΠΟΡΡΙΨΗ ΤΟΥ ΝΕΡΟΥ, ΠΑΡΑΚΑΛΟΥΜΕ ΔΕΙΤΕ ΤΗΝ ΕΝΟΤΗΤΑ "ΣΥΝΤΗΡΗΣΗ".
- ΣΕ ΟΤΙ ΑΦΟΡΑ ΤΙΣ ΠΛΗΡΟΦΟΡΙΕΣ ΣΧΕΤΙΚΑ ΜΕ ΤΗΝ ΕΓΚΑΤΑΣΤΑΣΗ, ΠΑΡΑΚΑΛΟΥΜΕ ΑΝΑΤΡΕΞΕΤΕ ΣΤΗΝ ΠΑΡΑΚΑΤΩ ΠΑΡΑΓΡΑΦΟ ΤΟΥ ΕΓΧΕΙΡΙΔΙΟΥ.

ΣΗΜΕΙΩΣΗ:

- ΠΑΡΑΚΑΛΟΥΜΕ ΕΞΕΤΑΣΤΕ ΤΟΝ ΕΞΟΠΛΙΣΜΟ ΠΡΙΝ ΑΠΟ ΤΗ ΧΡΗΣΗ. ΕΝΗΜΕΡΩΣΤΕ ΤΗΝ BESTWAY ΣΤΗ ΔΙΕΥΘΥΝΣΗ ΕΞΥΠΗΡΕΤΗΣΗΣ ΠΕΛΑΤΩΝ ΠΟΥ ΑΝΑΓΡΑΦΕΤΑΙ ΣΕ ΑΥΤΟ ΤΟ ΕΓΧΕΙΡΙΔΙΟ ΓΙΑ ΟΠΟΙΑΔΗΠΟΤΕ ΕΞΑΡΤΗΜΑΤΑ ΕΙΝΑΙ ΚΑΤΕΣΤΡΑΜΜΕΝΑ Ή ΛΕΙΠΟΥΝ ΚΑΤΑ ΤΗΝ ΑΓΟΡΑ. ΒΕΒΑΙΩΘΕΙΤΕ ΟΤΙ ΤΑ ΕΞΑΡΤΗΜΑΤΑ ΤΟΥ ΕΞΟΠΛΙΣΜΟΥ ΑΝΤΙΠΡΟΣΩΠΕΥΟΥΝ ΤΑ ΜΟΝΤΕΛΑ ΠΟΥ ΕΙΧΑΤΕ ΤΗΝ ΠΡΟΘΕΣΗ ΝΑ ΑΓΟΡΑΣΕΤΕ.
- ΤΟ ΠΡΟΪΟΝ ΑΥΤΟ ΔΕΝ ΠΡΟΟΡΙΖΕΤΑΙ ΓΙΑ ΕΜΠΟΡΙΚΗ ΧΡΗΣΗ.

ΠΡΟΕΙΔΟΠΟΙΗΣΗ ΓΙΑ ΗΛΕΚΤΡΙΚΗ ΑΝΤΛΙΑ ΑΕΡΑ (ΓΙΑ Palm Springs HydroJet):

Η ΗΛΕΚΤΡΙΚΗ ΑΝΤΛΙΑ ΑΕΡΑ ΔΕΝ ΕΙΝΑΙ ΕΝΑ ΜΕΡΟΣ ΤΟΥ SPA. ΘΑ ΠΡΕΠΕΙ ΝΑ ΑΝΑΤΡΕΞΕΤΕ ΣΤΟ ΕΓΧΕΙΡΙΔΙΟ ΧΡΗΣΗΣ ΤΗΣ ΗΛΕΚΤΡΙΚΗΣ ΑΝΤΛΙΑΣ ΑΕΡΑ ΓΙΑ ΤΗΝ ΑΣΦΑΛΕΙΑ.

ΤΟ ΚΑΛΩΔΙΟ ΠΡΟΕΚΤΑΣΗΣ ΠΟΥ ΧΡΗΣΙΜΟΠΟΙΕΙΤΑΙ ΓΙΑ ΤΗΝ ΑΝΤΛΙΑ ΑΕΡΑ ΚΑΤΑ ΤΟ ΦΟΥΣΚΩΜΑ ΤΗΣ ΠΙΣΙΝΑΣ, ΑΠΑΓΟΡΕΥΕΤΑΙ ΑΥΣΤΗΡΑ ΝΑ ΧΡΗΣΙΜΟΠΟΙΗΘΕΙ ΓΙΑ ΤΟ SPA.

ΜΕΤΑ ΤΟ ΦΟΥΣΚΩΜΑ ΤΗΣ ΠΙΣΙΝΑΣ, Η ΑΝΤΛΙΑ ΑΕΡΑ, ΚΑΘΩΣ ΚΑΙ ΤΟ ΚΑΛΩΔΙΟ ΠΡΟΕΚΤΑΣΗΣ, ΠΡΕΠΕΙ ΝΑ ΑΠΟΣΥΝΔΕΘΟΥΝ ΑΠΟ ΤΟ ΔΙΚΤΥΟ ΗΛΕΚΤΡΙΚΗΣ ΠΑΡΟΧΗΣ ΚΑΙ ΝΑ ΑΠΟΘΗΚΕΥΤΟΥΝ ΣΕ ΕΣΩΤΕΡΙΚΟ ΧΩΡΟ.

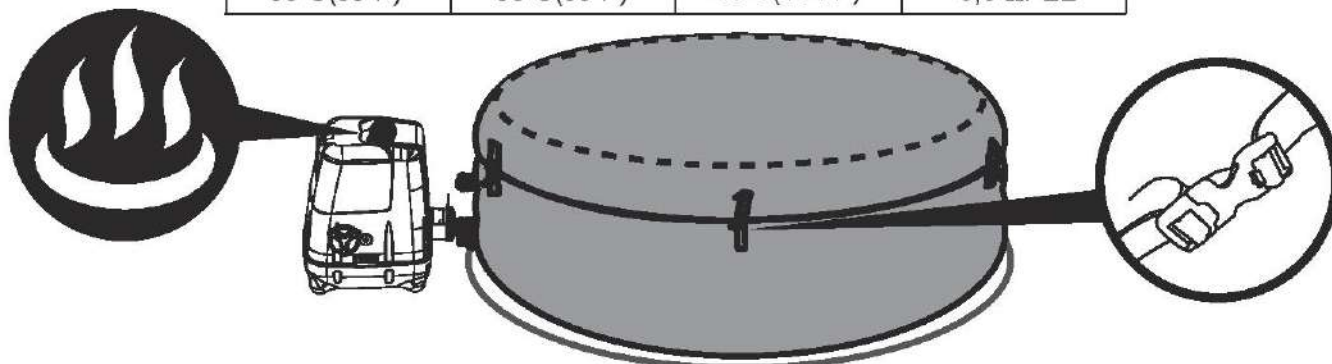
Ο ΧΡΟΝΟΣ ΛΕΙΤΟΥΡΓΙΑΣ ΤΟΥ ΚΙΝΗΤΗΡΑ ΔΕΝ ΠΡΕΠΕΙ ΝΑ ΥΠΕΡΒΑΙΝΕΙ ΤΑ 20 ΛΕΠΤΑ

ΠΡΟΣΟΧΗ: ΓΙΑ ΤΗΝ ΑΠΟΦΥΓΗ ΚΙΝΔΥΝΟΥ ΗΛΕΚΤΡΟΠΛΗΞΙΑΣ, ΜΗΝ ΕΚΘΕΤΕΤΕ ΣΕ ΝΕΡΟ Η ΒΡΟΧΗ. ΜΟΝΟ ΓΙΑ ΟΙΚΙΑΚΗ ΧΡΗΣΗ.

ΦΥΛΑΞΤΕ ΑΥΤΕΣ ΤΙΣ ΟΔΗΓΙΕΣ ΣΗΜΑΝΤΙΚΟ!

ΓΙΑ ΝΑ ΕΠΙΤΕΥΧΘΟΥΝ ΟΙ 40°C (104°F), Η ΑΠΑΙΤΟΥΜΕΝΗ ΔΙΑΡΚΕΙΑ ΘΕΡΜΑΝΣΗΣ ΒΑΣΙΖΕΤΑΙ ΣΤΗΝ ΑΡΧΙΚΗ ΘΕΡΜΟΚΡΑΣΙΑ ΤΟΥ ΝΕΡΟΥ ΚΑΙ ΤΗ ΘΕΡΜΟΚΡΑΣΙΑ ΠΕΡΙΒΑΛΛΟΝΤΟΣ, ΤΑ ΠΑΡΑΚΑΤΩ ΣΤΟΙΧΕΙΑ ΕΙΝΑΙ ΚΑΘΑΡΑ ΕΝΔΕΙΚΤΙΚΑ. ΓΙΑ ΝΑ ΕΜΦΑΝΙΣΕΤΕ ΤΗΝ ΤΡΕΧΟΥΣΑ ΘΕΡΜΟΚΡΑΣΙΑ ΝΕΡΟΥ, ΛΕΙΤΟΥΡΓΗΣΤΕ ΤΟ ΣΥΣΤΗΜΑ ΦΙΛΤΡΑΡΙΣΜΑΤΟΣ ΓΙΑ ΤΟΥΛΑΧΙΣΤΟΝ ΕΝΑ ΛΕΠΤΟ.

ΘΕΡΜΟΚΡΑΣΙΑ ΠΕΡΙΒΑΛΛΟΝΤΟΣ	ΘΕΡΜΟΚΡΑΣΙΑ ΝΕΡΟΥ	ΘΕΡΜΟΚΡΑΣΙΑ ΡΥΘΜΙΣΗΣ	ΔΙΑΡΚΕΙΑ ΘΕΡΜΑΝΣΗΣ
10°C (50°F)	10°C (50°F)	40°C (104°F)	18,5 ΩΡΕΣ
15°C (59°F)	15°C (59°F)	40°C (104°F)	15 ΩΡΕΣ
20°C (68°F)	20°C (68°F)	40°C (104°F)	11,5 ΩΡΕΣ
25°C (77°F)	25°C (77°F)	40°C (104°F)	8,5 ΩΡΕΣ
30°C (86°F)	30°C (86°F)	40°C (104°F)	5,5 ΩΡΕΣ

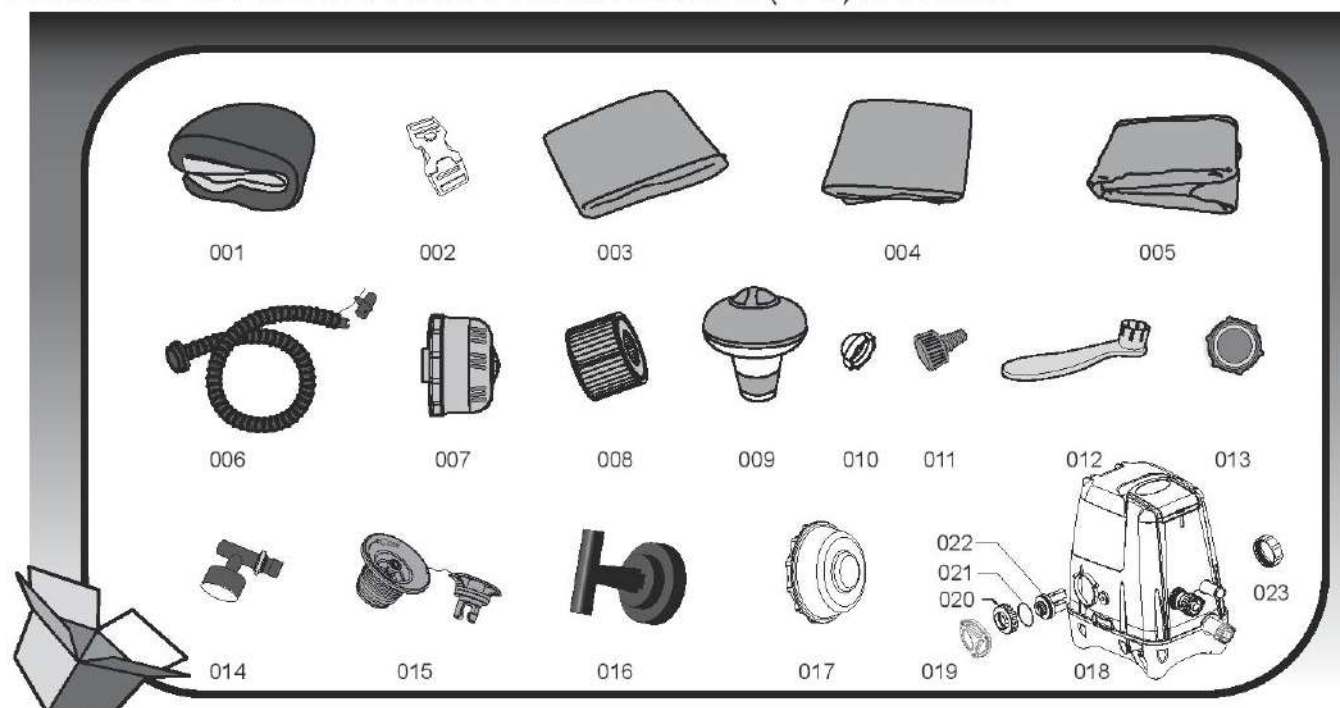


ΒΕΒΑΙΩΘΕΙΤΕ ΟΤΙ ΚΑΛΥΠΤΕΤΕ ΤΟ SPA ΜΕ ΤΟ ΚΑΛΥΜΜΑ SPA ΚΑΘΕ ΦΟΡΑ ΠΟΥ ΕΝΕΡΓΟΠΟΙΕΙΤΑΙ Η ΛΕΙΤΟΥΡΓΙΑ ΘΕΡΜΑΝΣΗΣ. ΑΦΗΝΟΝΤΑΣ ΤΟ SPA ΑΚΑΛΥΠΤΟ ΘΑ ΑΥΞΗΘΕΙ Η ΑΠΑΙΤΟΥΜΕΝΗ ΔΙΑΡΚΕΙΑ ΤΗΣ ΘΕΡΜΑΝΣΗΣ. ΠΑΡΑΚΑΛΟΥΜΕ ΜΗΝ ΧΡΗΣΙΜΟΠΟΙΕΙΤΕ ΤΟ SPA, ΟΤΑΝ Η ΘΕΡΜΟΚΡΑΣΙΑ ΠΕΡΙΒΑΛΛΟΝΤΟΣ ΕΙΝΑΙ ΧΑΜΗΛΟΤΕΡΗ ΑΠΟ 4°C (39°F).

ΠΡΟΔΙΑΓΡΑΦΕΣ ΓΙΑ LAY-Z-SPA™ HAWAII HYDROJET PRO (#54138)

ΧΩΡΗΤΙΚΟΤΗΤΑ: 4-6 ΕΝΗΛΙΚΕΣ	ΦΥΣΗΤΗΡΑΣ ΜΑΣΑΖ Turbo:	800W	ΑΝΤΛΙΑ Jet:	1200W
ΧΩΡΗΤΙΚΟΤΗΤΑ ΝΕΡΟΥ: 795 L (210 gal)	ΘΕΡΜΑΝΤΙΚΟ ΣΤΟΙΧΕΙΟ:	2.000W ΣΤΟΥΣ 20°C	ΠΡΑΓΜΑΤΙΚΗ ΠΑΡΟΧΗ ΝΕΡΟΥ:	1.325 L/h (350 gal/h)
ΜΕΓΕΘΟΣ ΦΟΥΣΚΩΜΕΝΟ: 1,80m x 1,80m x 71cm (71" x 71" x 28")	ΑΝΤΛΙΑ:	50W ΑΝΤΛΙΑ ΦΙΛΤΡΟΥ ΚΥΚΛΟΦΟΡΙΑΣ	ΟΝΟΜΑΣΤΙΚΗ ΙΣΧΥΣ:	220-240V AC, 2060W ΣΤΟΥΣ 20°C
ΒΑΡΟΣ ΠΛΗΡΩΣΗΣ: 867 kg (1,911 Lb)	ΙΚΑΝΟΤΗΤΑ ΘΕΡΜΑΝΣΗΣ:	40 °C (104 °F)	ΠΙΕΣΗ ΛΕΙΤΟΥΡΓΙΑΣ:	1,2PSI (0,08bar)
ΑΥΞΗΜΕΝΟΣ ΡΥΘΜΟΣ ΘΕΡΜΑΝΣΗΣ: ΠΕΡΙΠΟΥ 1,5-2°C/h (3-4°F/h)	ΑΚΡΟΦΥΣΙΑ:	8 ΤΜΧ	ΣΥΣΤΗΜΑ ΑΛΜΥΡΟΥ ΝΕΡΟΥ:	20 W

ΣΗΜΕΙΩΣΗ: Ο ΠΑΡΑΠΑΝΩ ΡΥΘΜΟΣ ΘΕΡΜΑΝΣΗΣ ΑΝΑΦΕΡΕΤΑΙ ΣΕ ΜΙΑ ΕΡΓΑΣΤΗΡΙΑΚΗ ΔΟΚΙΜΗ ΜΕ ΘΕΡΜΟΚΡΑΣΙΑ ΠΕΡΙΒΑΛΛΟΝΤΟΣ 25°C (77°F) ΚΑΙ ΠΑΝΩ.

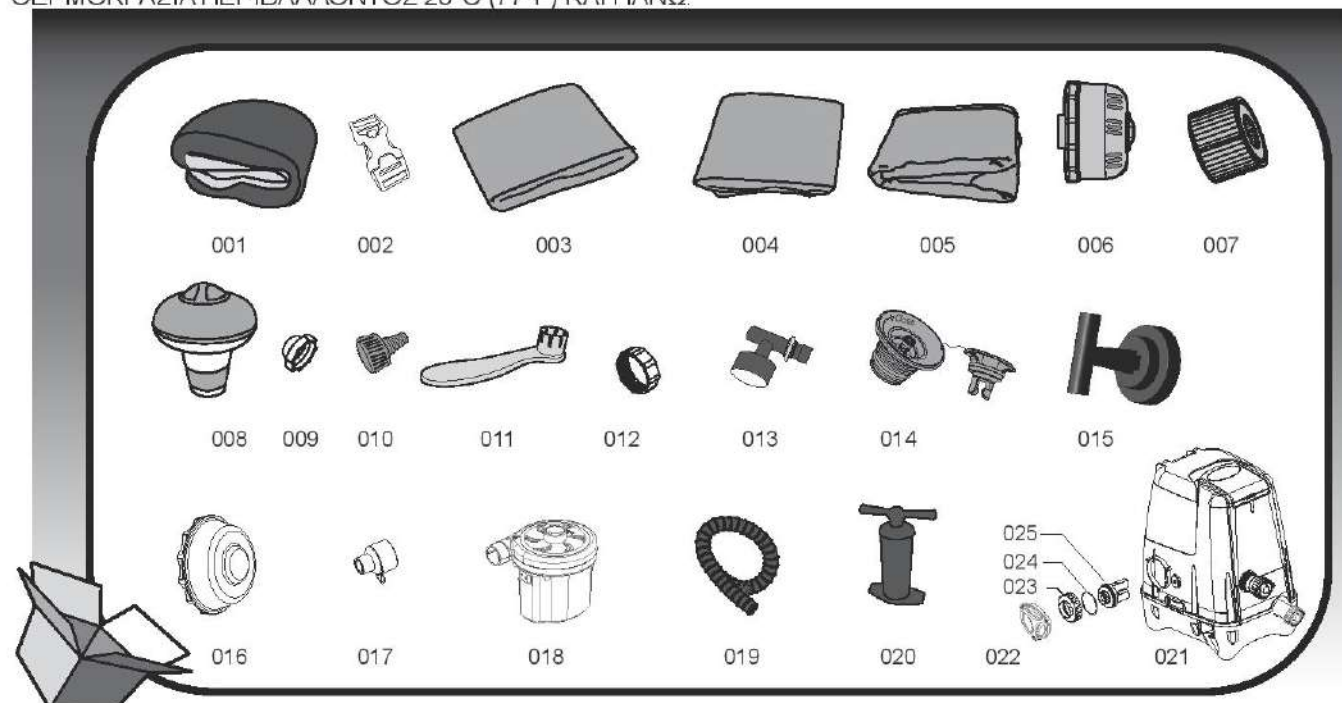


ΑΡ. ΕΞΑΡΤΗΜΑΤΟΣ	ΚΩΔΙΚΟΣ ΕΞΑΡΤΗΜΑΤΟΣ	ΠΕΡΙΓΡΑΦΗ	ΠΟΣ.
001	54138TASS17	ΕΠΕΝΔΥΣΗ ΠΙΣΙΝΑΣ	1
002	F6414ASS16	ΑΓΚΡΑΦΑ	8
003	P5511GASS17	ΚΑΛΥΜΜΑ Leatheroid	1
004	54138GASS17	ΦΟΥΣΚΩΤΟ ΚΑΛΥΜΜΑ	1
005	58371(H)S16	ΣΤΡΩΜΑ ΕΔΑΦΟΥΣ	1
006	P6930	ΕΥΚΑΜΠΤΟΣ ΣΩΛΗΝΑΣ ΠΛΗΡΩΣΗΣ ΑΕΡΑ	1
007	P6653	ΣΕΤ ΦΙΛΤΡΟΥ	1
008	58323	ΣΤΟΙΧΕΙΟ ΦΙΛΤΡΟΥ	2
009	58426S17	ΧΗΜΙΚΟΣ ΠΛΩΤΗΡΑΣ	1
010	P6575	ΤΑΠΑ (ΓΙΑ ΕΞΟΔΟ ΦΙΛΤΡΟΥ)	1
011	P6H565	ΠΡΟΣΑΡΜΟΓΕΑΣ ΓΙΑ ΕΥΚΑΜΠΤΟ ΣΩΛΗΝΑ	1
012	F6H189	ΚΛΕΙΔΙ (ΓΙΑ ΤΗ ΒΑΛΒΙΔΑ ΑΕΡΟΣ)	1
013	P6611	ΠΡΟΣΑΡΜΟΓΕΑΣ ΚΑΛΥΜΜΑΤΟΣ A	1
014	P61199	ΜΑΝΟΜΕΤΡΟ	1
015	P6H971	ΒΑΛΒΙΔΑ ΠΛΗΡΩΣΗΣ ΑΕΡΑ	1
016	P61385	ΚΛΕΙΔΙ (ΓΙΑ ΤΟ ΣΥΣΤΗΜΑ ΧΛΩΡΙΩΤΗ ΑΛΑΤΟΣ)	1
017	P61290	ΤΑΠΑ (ΓΙΑ ΕΙΣΟΔΟ ΑΚΡΟΦΥΣΙΩΝ ΝΕΡΟΥ)	1
018	P4H125ASS17	ΑΝΤΛΙΑ SPA	1
019	P61334	ΚΑΠΑΚΙ	1
020	P61386	ΠΛΑΣΤΙΚΟ ΗΛΕΚΤΡΟΛΥΤΙΚΟ ΣΤΟΙΧΕΙΟ	1
021	P61388	ΣΤΕΓΑΝΩΤΙΚΟΣ ΔΑΚΤΥΛΙΟΣ O-ring ΗΛΕΚΤΡΟΛΥΤΙΚΟΥ ΣΤΟΙΧΕΙΟΥ	1
022	P61387	ΗΛΕΚΤΡΟΛΥΤΙΚΟ ΣΤΟΙΧΕΙΟ	1
023	P61587	ΤΑΠΑ ΠΙΣΙΝΑ SPA	2

ΠΡΟΔΙΑΓΡΑΦΕΣ ΓΙΑ LAY-Z-SPA™ PALM SPRINGS HYDROJET (#54144)

ΧΩΡΗΤΙΚΟΤΗΤΑ: 4-6 ΕΝΗΛΙΚΕΣ	ΣΥΣΤΗΜΑ ΑΛΜΥΡΟΥ ΝΕΡΟΥ: 20W	ΑΝΤΛΙΑ Jet: 1200W
ΧΩΡΗΤΙΚΟΤΗΤΑ ΝΕΡΟΥ: 795 L (210 gal)	ΘΕΡΜΑΝΤΙΚΟ ΣΤΟΙΧΕΙΟ: 2.000W ΣΤΟΥΣ 20°C	ΠΡΑΓΜΑΤΙΚΗ ΠΑΡΟΧΗ ΝΕΡΟΥ: 1.325 L/h (350 gal/h)
ΜΕΓΕΘΟΣ ΦΟΥΣΚΩΜΕΝΟ: 1,96m x 71cm (77" x 28")	ΑΝΤΛΙΑ: 50W ΑΝΤΛΙΑ ΦΙΛΤΡΟΥ ΚΥΚΛΟΦΟΡΙΑΣ	ΟΝΟΜΑΣΤΙΚΗ ΙΣΧΥΣ: 220-240V AC, 2060W ΣΤΟΥΣ 20°C
ΒΑΡΟΣ ΠΛΗΡΩΣΗΣ: 864 kg (1,905 Lb)	ΙΚΑΝΟΤΗΤΑ ΘΕΡΜΑΝΣΗΣ: 40 °C (104 °F)	ΠΙΕΣΗ ΛΕΙΤΟΥΡΓΙΑΣ: 1,2PSI (0,08bar)
ΑΥΞΗΜΕΝΟΣ ΡΥΘΜΟΣ ΘΕΡΜΑΝΣΗΣ: ΠΕΡΙΠΟΥ 1,5-2°C/h (3-4°F/h)	ΑΚΡΟΦΥΣΙΑ: 8 ΤΜΧ.	ΑΝΤΛΙΑ ΑΕΡΑ AC: 110W

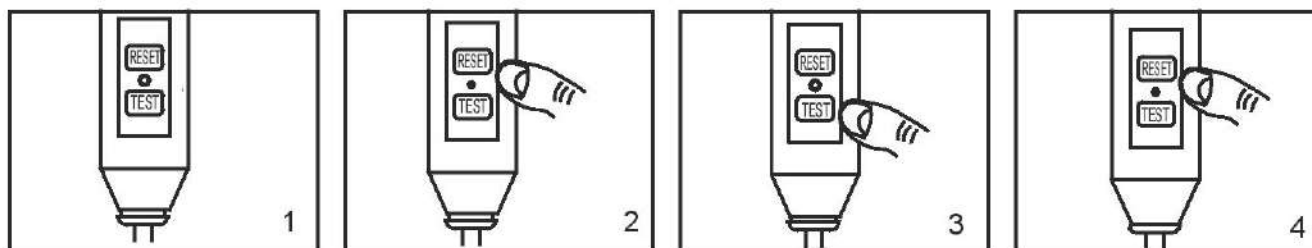
ΣΗΜΕΙΩΣΗ: Ο ΠΑΡΑΠΑΝΩ ΡΥΘΜΟΣ ΘΕΡΜΑΝΣΗΣ ΑΝΑΦΕΡΕΤΑΙ ΣΕ ΜΙΑ ΕΡΓΑΣΤΗΡΙΑΚΗ ΔΟΚΙΜΗ ΜΕ ΘΕΡΜΟΚΡΑΣΙΑ ΠΕΡΙΒΑΛΛΟΝΤΟΣ 25°C (77°F) ΚΑΙ ΠΑΝΩ.



ΑΡ. ΕΞΑΡΤΗΜΑΤΟΣ	ΚΩΔΙΚΟΣ ΕΞΑΡΤΗΜΑΤΟΣ	ΠΕΡΙΓΡΑΦΗ	QΤΑ
001	54144TASS17	ΕΠΕΝΔΥΣΗ ΠΙΣΙΝΑΣ	1
002	F6414ASS16	ΑΓΚΡΑΦΑ	6
003	P5532GASS17	ΚΑΛΥΜΜΑ Leatheroid	1
004	54144GASS17	ΦΟΥΣΚΩΤΟ ΚΑΛΥΜΜΑ	1
005	58321(H)S15	ΣΤΡΟΜΑ ΕΔΑΦΟΥΣ	1
006	P6653	ΣΕΤ ΦΙΛΤΡΟΥ	1
007	58323	ΣΤΟΙΧΕΙΟ ΦΙΛΤΡΟΥ (M)	2
008	58426S17	ΧΗΜΙΚΟΣ ΠΛΩΤΗΡΑΣ	1
009	P6575	ΤΑΠΑ ΑΠΟΦΡΑΞΗΣ	1
010	P6H565	ΠΡΟΣΑΡΜΟΓΕΑΣ ΓΙΑ ΕΥΚΑΜΠΤΟ ΣΩΛΗΝΑ	1
011	F6H189	ΚΛΕΙΔΙ (ΓΙΑ ΤΗ ΒΑΛΒΙΔΑ ΑΕΡΟΣ)	1
012	P61587	ΤΑΠΑ ΠΙΣΙΝΑ SPA	2
013	P61199	ΜΑΝΟΜΕΤΡΟ	1
014	P6H971	ΒΑΛΒΙΔΑ ΠΛΗΡΩΣΗΣ ΑΕΡΑ	1
015	P61385	ΚΛΕΙΔΙ (ΓΙΑ ΤΟ ΣΥΣΤΗΜΑ ΧΛΩΡΙΩΤΗ ΑΛΑΤΟΣ)	1
016	P61290	ΤΑΠΑ (ΓΙΑ ΕΙΣΟΔΟ ΑΚΡΟΦΥΣΙΩΝ ΝΕΡΟΥ)	1
017	P61330	ΠΡΟΣΑΡΜΟΓΕΑΣ ΓΙΑ ΕΥΚΑΜΠΤΟ ΣΩΛΗΝΑ ΑΝΤΛΙΑΣ ΑΕΡΑ AC	1
018	P61329	ΑΝΤΛΙΑ ΑΕΡΑ AC	1
019	P61327	ΕΥΚΑΜΠΤΟΣ ΣΩΛΗΝΑΣ ΠΛΗΡΩΣΗΣ ΑΕΡΑ	1
020	P61326	ΧΕΙΡΟΚΙΝΗΤΗ ΑΝΤΛΙΑ	1
021	P4H127ASS17	ΑΝΤΛΙΑ SPA	1
022	P61334	ΚΑΠΑΚΙ	1
023	P61386	ΠΛΕΙΜΑΔΙ ΗΛΕΚΤΡΟΛΥΤΙΚΟΥ ΣΤΟΙΧΕΙΟΥ	1
024	P61388	ΣΤΕΓΑΝΩΤΙΚΟΣ ΔΑΚΤΥΛΙΟΣ O-ring ΗΛΕΚΤΡΟΛΥΤΙΚΟΥ ΣΤΟΙΧΕΙΟΥ	1
025	P61387	ΗΛΕΚΤΡΟΛΥΤΙΚΟ ΣΤΟΙΧΕΙΟ	1

ΔΟΚΙΜΗ ΑΝΤΛΙΑΣ

ΔΟΚΙΜΗ PRCD



ΣΗΜΕΙΩΣΗ: ΤΑ ΣΧΕΔΙΑ ΕΙΝΑΙ ΜΟΝΟ ΓΙΑ ΛΟΓΟΥΣ ΑΠΕΙΚΟΝΙΣΗΣ. ΜΠΟΡΕΙ ΝΑ ΜΗΝ ΑΝΤΑΠΟΚΡΙΝΟΝΤΑΙ ΣΤΟ ΠΡΑΓΜΑΤΙΚΟ ΠΡΟΪΟΝ. ΔΕΝ ΕΙΝΑΙ ΥΠΟ ΚΛΙΜΑΚΑ.

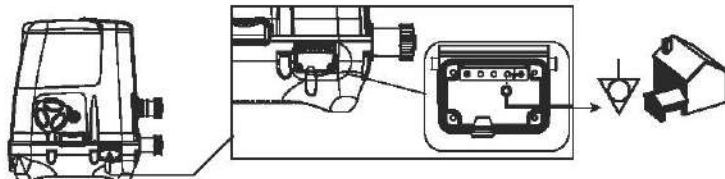
1. ΣΥΝΔΕΣΤΕ ΤΟ ΡΕΥΜΑΤΟΛΗΠΤΗ.
2. ΠΙΕΣΤΕ ΤΟ ΠΛΗΚΤΡΟ "RESET", Η ΕΝΔΕΙΚΤΙΚΗ ΛΥΧΝΙΑ ΑΝΑΒΕΙ.
3. ΠΙΕΣΤΕ ΤΟ ΠΛΗΚΤΡΟ "TEST", Η ΕΝΔΕΙΚΤΙΚΗ ΛΥΧΝΙΑ ΣΒΗΝΕΙ.
4. ΠΙΕΣΤΕ ΤΟ ΠΛΗΚΤΡΟ "RESET", Η ΕΝΔΕΙΚΤΙΚΗ ΛΥΧΝΙΑ ΑΝΑΒΕΙ.
5. ΠΙΕΣΤΕ ΤΟ ΠΛΗΚΤΡΟ "On/Off" ΓΙΑ 2 ΔΕΥΤΕΡΟΛΕΠΤΑ, Η ΑΝΤΛΙΑ ΕΙΝΑΙ ΕΤΟΙΜΗ ΓΙΑ ΧΡΗΣΗ.



ΠΡΟΕΙΔΟΠΟΙΗΣΗ: Ο ΡΕΥΜΑΤΟΛΗΠΤΗΣ PRCD ΠΡΕΠΕΙ ΝΑ ΔΟΚΙΜΑΖΕΤΑΙ ΠΡΙΝ ΑΠΟ ΚΑΘΕ ΧΡΗΣΗ ΓΙΑ ΤΗΝ ΑΠΟΦΥΓΗ ΤΟΥ ΚΙΝΔΥΝΟΥ ΗΛΕΚΤΡΟΠΛΗΞΙΑΣ.

ΠΡΟΕΙΔΟΠΟΙΗΣΗ: ΠΡΙΝ ΤΗ ΣΥΝΔΕΣΗ ΤΟΥ ΡΕΥΜΑΤΟΛΗΠΤΗ ΣΤΗΝ ΠΑΡΟΧΗ ΡΕΥΜΑΤΟΣ, ΒΕΒΑΙΩΘΕΙΤΕ ΟΤΙ ΤΟ ΟΝΟΜΑΣΤΙΚΟ ΡΕΥΜΑ ΤΗΣ ΠΑΡΟΧΗΣ ΕΙΝΑΙ ΚΑΤΑΛΛΗΛΟ ΓΙΑ ΤΗΝ ΑΝΤΛΙΑ.

ΠΡΟΕΙΔΟΠΟΙΗΣΗ: ΜΗΝ ΧΡΗΣΙΜΟΠΟΙΗΣΤΕ ΤΗΝ ΑΝΤΛΙΑ ΕΑΝ ΑΠΟΤΥΧΕΙ ΑΥΤΗ Η ΔΟΚΙΜΗ ΚΑΙ ΕΠΙΚΟΙΝΩΝΗΣΤΕ ΜΕ ΤΟ ΣΕΡΒΙΣ ΜΕΤΑ ΤΗΝ ΠΩΛΗΣΗ.



ΑΚΡΟΔΕΚΤΗΣ ΙΣΟΔΥΝΑΜΙΚΗΣ ΣΥΝΔΕΣΗΣ ΑΝΤΛΙΑΣ SPA

ΣΥΝΙΣΤΑΤΑΙ ΝΑ ΑΠΕΥΘΥΝΘΕΙΤΕ ΣΕ ΕΝΑΝ ΠΙΣΤΟΠΟΙΗΜΕΝΟ ΗΛΕΚΤΡΟΛΟΓΟ ΓΙΑ ΝΑ ΣΥΝΔΕΣΕΤΕ ΤΗΝ ΑΝΤΛΙΑ SPA ΣΕ ΕΝΑΝ ΑΚΡΟΔΕΚΤΗ ΓΕΙΩΣΗΣ ΧΡΗΣΙΜΟΠΟΙΩΝΤΑΣ ΕΝΑ ΣΥΜΠΑΓΗ ΧΑΛΚΙΝΟ ΑΓΩΓΟ ΜΕ (ΤΟΥΛΑΧΙΣΤΟΝ) 2,5 mm².

ΣΥΝΑΡΜΟΛΟΓΗΣΗ

ΠΡΟΕΙΔΟΠΟΙΗΣΗ: Η ΕΠΙΛΕΓΜΕΝΗ ΤΟΠΟΘΕΣΙΑ ΠΡΕΠΕΙ ΝΑ ΜΠΟΡΕΙ ΝΑ ΥΠΟΣΤΗΡΙΞΕΙ ΤΟ ΑΝΑΜΕΝΟΜΕΝΟ ΦΟΡΤΙΟ.
ΠΡΟΕΙΔΟΠΟΙΗΣΗ: ΠΡΕΠΕΙ ΝΑ ΠΑΡΑΣΧΕΘΕΙ ΕΝΑ ΚΑΤΑΛΛΗΛΟ ΣΥΣΤΗΜΑ ΑΠΟΣΤΡΑΓΓΙΣΗΣ ΓΙΑ ΤΟ ΧΕΙΡΙΣΜΟ ΤΟΥ ΝΕΡΟΥ ΥΠΕΡΧΕΙΛΙΣΗΣ ΤΟΣΟ ΓΙΑ ΕΣΩΤΕΡΙΚΕΣ ΟΣΟ ΚΑΙ ΕΞΩΤΕΡΙΚΕΣ ΕΓΚΑΤΑΣΤΑΣΕΙΣ.

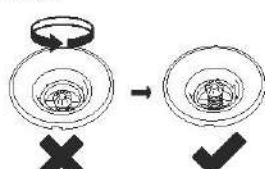
ΣΗΜΕΙΩΣΗ: ΜΟΝΟ ΤΟ HYDRO-JET PRO SPA ΔΙΑΘΕΤΕΙ ΤΟ ΠΛΗΚΤΡΟ ΣΥΣΤΗΜΑΤΟΣ Lay-Z-Massage. ΚΑΤΑ ΤΟ ΦΟΥΣΚΩΜΑ, ΘΑ ΠΑΡΑΤΗΡΗΣΕΤΕ ΟΤΙ ΑΠΟΒΑΛΛΕΤΑΙ ΑΕΡΑΣ ΑΠΟ ΤΟ ΣΗΜΕΙΟ ΟΠΟΥ Ο ΕΥΚΑΜΠΤΟΣ ΣΩΛΗΝΑΣ ΑΕΡΑ ΣΥΝΔΕΕΤΑΙ ΜΕ ΤΗΝ ΑΝΤΛΙΑ, ΑΥΤΟ ΕΙΝΑΙ ΦΥΣΙΟΛΟΓΙΚΟ ΚΑΙ ΑΠΟΤΡΕΠΕΙ ΖΗΜΙΑ ΛΟΓΩ ΥΠΕΡΠΛΗΡΩΣΗΣ.

ΣΗΜΕΙΩΣΗ: ΜΗΝ ΧΡΗΣΙΜΟΠΟΙΕΙΤΕ ΑΕΡΟΣΥΜΠΙΕΣΤΗ ΓΙΑ ΝΑ ΦΟΥΣΚΩΣΕΤΕ ΤΗΝ ΠΙΣΙΝΑ.

ΣΗΜΕΙΩΣΗ: ΜΗΝ ΣΕΡΝΕΤΕ ΤΗΝ ΠΙΣΙΝΑ ΣΕ ΑΝΩΜΑΛΟ ΕΔΑΦΟΣ ΔΙΟΤΙ ΑΥΤΟ ΜΠΟΡΕΙ ΝΑ ΠΡΟΚΑΛΕΣΕΙ ΒΛΑΒΗ ΣΤΗΝ ΕΠΕΝΔΥΣΗ ΤΗΣ ΠΙΣΙΝΑΣ.

ΣΗΜΕΙΩΣΗ: Ο ΧΡΟΝΟΣ ΦΟΥΣΚΩΜΑΤΟΣ ΕΙΝΑΙ ΜΟΝΟ ΓΙΑ ΑΝΑΦΟΡΑ.

ΣΗΜΕΙΩΣΗ: ΤΟ ΜΑΝΟΜΕΤΡΟ ΕΙΝΑΙ ΜΟΝΟ ΓΙΑ ΣΚΟΠΟΥΣ ΦΟΥΣΚΩΜΑΤΟΣ, ΚΑΙ Η ΤΙΜΗ ΠΟΥ ΕΜΦΑΝΙΖΕΙ ΤΟ ΜΑΝΟΜΕΤΡΟ ΕΙΝΑΙ ΜΟΝΟ ΓΙΑ ΑΝΑΦΟΡΑ. ΔΕΝ ΠΡΕΠΕΙ ΝΑ ΧΡΗΣΙΜΟΠΟΙΕΙΤΑΙ ΩΣ ΕΝΑ ΟΡΓΑΝΟ ΑΚΡΙΒΕΙΑΣ.




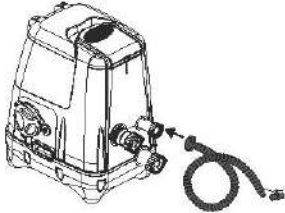


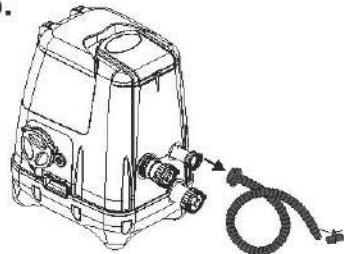
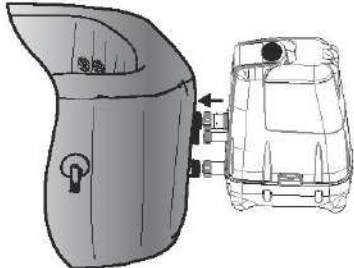
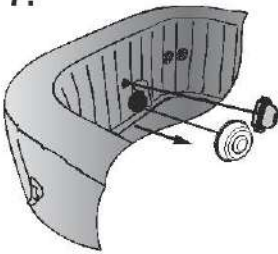
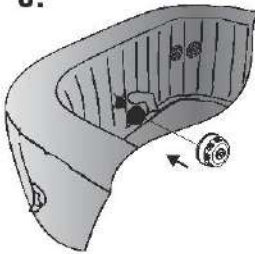
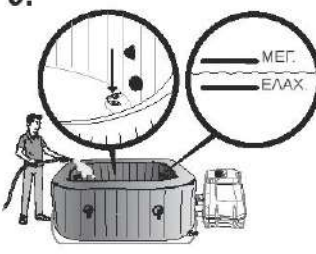

ΕΛΕΓΧΟΣ ΒΑΛΒΙΔΑΣ ΑΕΡΑ

ΕΛΕΓΧΤΕ ΠΑΝΤΟΤΕ ΠΡΟΣΕΚΤΙΚΑ ΤΗ ΒΑΛΒΙΔΑ ΑΕΡΑ ΠΡΙΝ ΤΟ ΦΟΥΣΚΩΜΑ ΓΙΑ ΝΑ ΕΞΑΣΦΑΛΙΣΤΕΙ ΟΤΙ ΔΕΝ ΥΠΑΡΧΕΙ ΔΙΑΡΡΟΗ ΑΕΡΑ. ΕΑΝ Η ΒΑΛΒΙΔΑ ΑΕΡΑ ΕΙΝΑΙ ΧΑΛΑΡΗ, ΧΡΗΣΙΜΟΠΟΙΗΣΤΕ ΤΟ ΠΑΡΕΧΟΜΕΝΟ ΚΛΕΙΔΙ ΓΙΑ ΝΑ ΣΤΕΡΕΩΣΕΤΕ ΤΗ ΒΑΛΒΙΔΑ ΑΕΡΑ ΑΚΟΛΟΥΘΩΝΤΑΣ ΤΑ ΕΞΗΣ ΒΗΜΑΤΑ: ΜΕ ΤΟ ΕΝΑ ΧΕΡΙ, ΚΡΑΤΗΣΤΕ ΤΟ ΠΙΣΩ ΜΕΡΟΣ ΤΗΣ ΒΑΛΒΙΔΑΣ ΑΕΡΟΣ ΑΠΟ ΤΗ ΜΕΣΑ ΠΛΕΥΡΑ ΤΟΥ ΤΟΙΧΩΜΑΤΟΣ ΤΟΥ SPA ΚΑΙ ΠΕΡΙΣΤΡΕΨΤΕ ΤΟ ΚΛΕΙΔΙ ΔΕΞΙΟΣΤΡΟΦΑ.

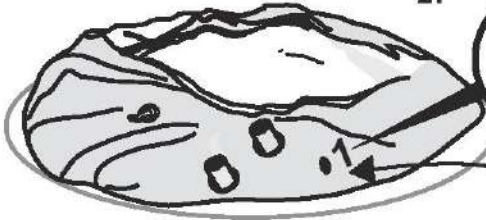
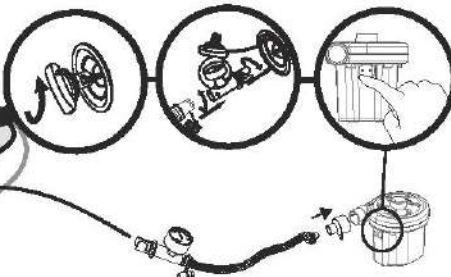
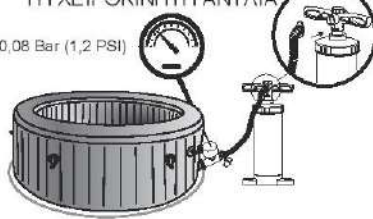

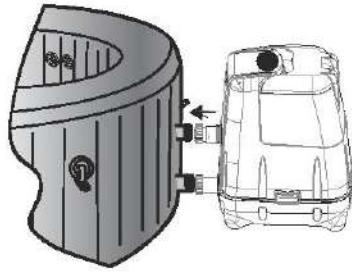
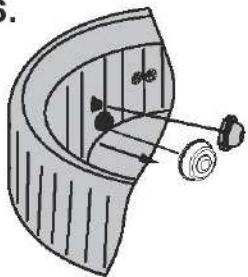
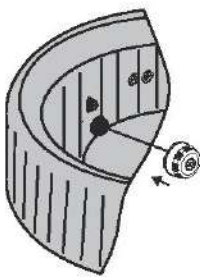
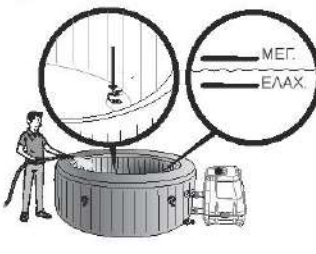

ΣΗΜΕΙΩΣΗ:

1. ΜΗΝ ΣΦΙΓΓΕΤΕ ΥΠΕΡΒΟΛΙΚΑ.
2. ΜΗΝ ΡΥΘΜΙΖΕΤΕ ΤΟ ΣΥΝΔΕΣΜΟ ΤΗΣ ΒΑΛΒΙΔΑΣ ΑΕΡΟΣ ΟΤΑΝ ΤΟ SPA ΕΙΝΑΙ ΣΕ ΧΡΗΣΗ.

ΣΥΝΑΡΜΟΛΟΓΗΣΗ ΓΙΑ HAWAII HYDROJET PRO (#54138)

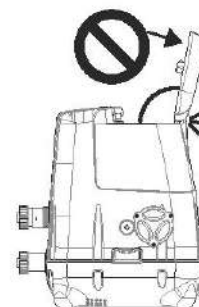
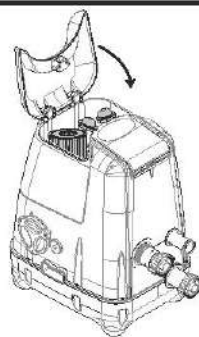
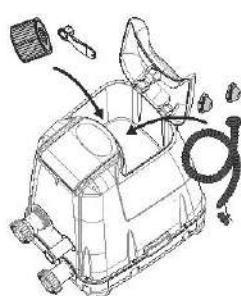
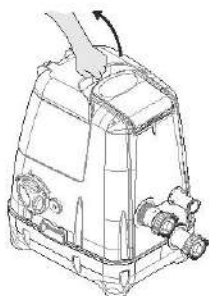
<p>1.</p> 	<p>2.</p> 	<p>3.</p>  <p>3 ΔΕΥΤΕΡΟΛΕΠΤΑ ΓΙΑ ΞΕΚΛΕΙΔΩΜΑ</p> <p>ΦΟΥΣΚΩΣΤΕ ΓΙΑ 5 ΛΕΠΤΑ.</p> <p>ΠΙΣΤΕ ΓΙΑ 2 ΔΕΥΤΕΡΟΛΕΠΤΑ.</p> <p>0,08 Bar (1,2 PSI)</p> <p>ΓΙΑ ΝΑ ΣΤΑΜΑΤΗΣΕΤΕ ΤΟ ΦΟΥΣΚΩΜΑ.</p>	
<p>4.</p>  <p>ΦΟΥΣΚΩΣΤΕ ΓΙΑ 2 ΛΕΠΤΑ.</p>	<p>5.</p> 	<p>6.</p> 	
<p>7.</p> 	<p>8.</p> 	<p>9.</p>  <p>ΜΕΓ. ΕΛΑΧ.</p>	<p>10.</p> 

ΣΥΝΑΡΜΟΛΟΓΗΣΗ ΓΙΑ PALM SPRINGS HYDROJET (#54144)

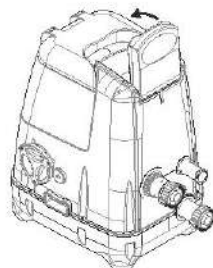
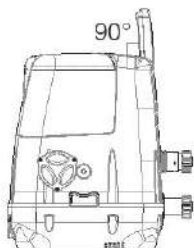
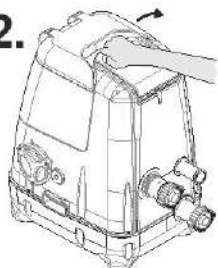
<p>1.</p> 	<p>2.</p>  <p>0,08 Bar (1,2 PSI)</p>	<p>ΠΡΟΦΟΥΣΚΩΣΤΕ ΓΙΑ 7 ΛΕΠΤΑ.</p> <p>ΣΗΜΕΙΩΣΗ: Ο ΧΡΟΝΟΣ ΛΕΙΤΟΥΡΓΙΑΣ ΤΟΥ ΚΙΝΗΤΗΡΑ ΔΕΝ ΠΡΕΠΕΙ ΝΑ ΥΠΕΡΒΑΙΝΕΙ ΤΑ 20 ΛΕΠΤΑ.</p>	
<p>3. ΣΥΝΕΧΙΣΤΕ ΝΑ ΦΟΥΣΚΩΝΕΤΕ ΤΗΝ ΠΙΣΙΝΑ SPA ΜΕ ΤΗ ΧΕΙΡΟΚΙΝΗΤΗ ΑΝΤΛΙΑ</p> <p>0,08 Bar (1,2 PSI)</p>  <p>ΦΟΥΣΚΩΣΤΕ ΓΙΑ 3 ΛΕΠΤΑ.</p>	<p>4.</p>  <p>ΦΟΥΣΚΩΣΤΕ ΓΙΑ 3 ΛΕΠΤΑ.</p>	<p>5.</p> 	
<p>6.</p> 	<p>7.</p> 	<p>8.</p>  <p>ΜΕΓ. ΕΛΑΧ.</p>	<p>9.</p> 

ΛΕΙΤΟΥΡΓΙΑ

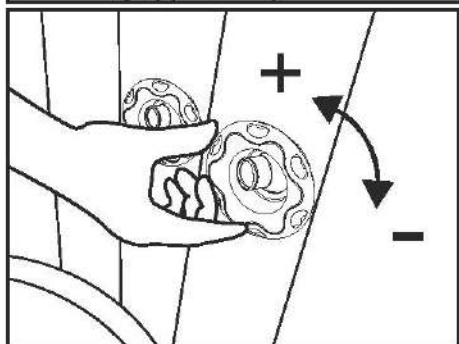
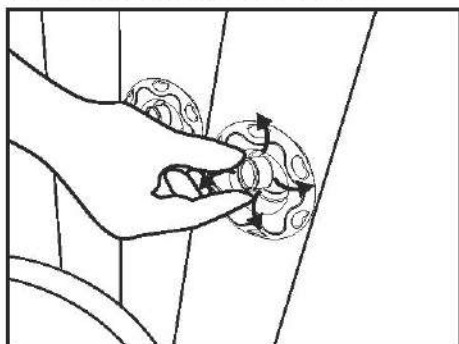
1.



2.



3. ΡΥΘΜΙΣΗ ΑΚΡΟΦΥΣΙΟΥ



5. ΕΠΑΝΑΦΟΡΑ ΘΕΡΜΑΝΣΗΣ

ΟΤΑΝ ΧΡΗΣΙΜΟΠΟΙΕΙΤΕ ΤΟ LAY-Z-SPA ΓΙΑ ΠΡΩΤΗ ΦΟΡΑ, Η ΜΕΤΑ ΑΠΟ ΜΑΚΡΑ ΠΕΡΙΟΔΟ ΑΔΡΑΝΕΙΑΣ, ΒΕΒΑΙΩΘΕΙΤΕ ΟΤΙ ΠΑΤΑΤΕ ΤΟ ΠΛΗΚΤΡΟ ΕΠΑΝΑΦΟΡΑΣ ΣΤΗΝ ΑΝΤΛΙΑ ΧΡΗΣΙΜΟΠΟΙΩΝΤΑΣ ΕΝΑ ΜΙΚΡΟ ΚΑΙ ΛΕΠΤΟ ΑΝΤΙΚΕΙΜΕΝΟ

ΠΛΗΚΤΡΟ ΕΠΑΝΑΦΟΡΑΣ ΣΗΜΑΝΤΙΚΕΣ ΟΔΗΓΙΕΣ ΓΙΑ ΤΗ ΧΡΗΣΗ

ΕΑΝ Η ΘΕΡΜΟΚΡΑΣΙΑ ΣΤΟΝ ΠΙΝΑΚΑ ΕΛΕΓΧΟΥ (Η ΘΕΡΜΟΚΡΑΣΙΑ ΤΟΥ ΝΕΡΟΥ) ΔΕΝ ΕΧΕΙ ΑΛΛΑΞΕΙ 4-5 ΩΡΕΣ ΜΕΤΑ ΤΗΝ ΕΝΕΡΓΟΠΟΙΗΣΗ ΤΟΥ ΣΥΣΤΗΜΑΤΟΣ ΘΕΡΜΑΝΣΗΣ, ΧΡΗΣΙΜΟΠΟΙΗΣΤΕ ΕΝΑ ΛΕΠΤΟ ΑΝΤΙΚΕΙΜΕΝΟ ΓΙΑ ΝΑ ΠΙΕΣΕΤΕ ΤΟ ΠΛΗΚΤΡΟ ΕΠΑΝΑΦΟΡΑΣ ΚΑΙ ΕΠΑΝΕΚΚΙΝΗΣΤΕ ΤΟ ΣΥΣΤΗΜΑ ΘΕΡΜΑΝΣΗΣ.
ΣΗΜΑΝΤΙΚΟ: ΤΟ ΣΥΣΤΗΜΑ ΘΕΡΜΑΝΣΗΣ ΔΕΝ ΘΑ ΛΕΙΤΟΥΡΓΗΣΕΙ ΕΑΝ Η ΕΞΩΤΕΡΙΚΗ ΘΕΡΜΟΚΡΑΣΙΑ ΕΙΝΑΙ ΜΕΓΑΛΥΤΕΡΗ ΑΠΟ 40°C (104°F) Η ΕΑΝ ΤΟ LAY-Z-SPA ΕΙΝΑΙ ΕΚΤΕΘΕΜΕΝΟ ΣΕ ΑΜΕΣΟ ΗΛΙΑΚΟ ΦΩΣ. ΥΠΟ ΑΥΤΕΣ ΤΙΣ ΣΥΝΘΗΚΕΣ, ΠΑΡΑΚΑΛΟΥΜΕ ΠΕΡΙΜΕΝΕΤΕ ΜΙΑ ΔΡΟΣΕΡΟΤΕΡΗ ΩΡΑ ΤΗΣ ΗΜΕΡΑΣ ΠΡΙΝ ΠΙΕΣΕΤΕ ΤΟ ΠΛΗΚΤΡΟ ΕΠΑΝΑΦΟΡΑΣ ΜΕ ΕΝΑ ΛΕΠΤΟ ΑΝΤΙΚΕΙΜΕΝΟ ΚΑΙ ΕΠΑΝΕΚΚΙΝΗΣΤΕ ΤΟ ΣΥΣΤΗΜΑ ΘΕΡΜΑΝΣΗΣ. ΑΥΤΗ Η ΛΕΙΤΟΥΡΓΙΑ ΠΡΕΠΕΙ ΝΑ ΕΠΑΝΑΛΑΜΒΑΝΕΤΑΙ ΚΑΘΕ ΦΟΡΑ ΟΤΑΝ Η ΑΝΤΛΙΑ ΕΙΝΑΙ ΥΠΟ ΤΗ ΠΑΡΑΠΑΝΩ ΣΥΝΘΗΚΕΣ.



4. ΟΔΗΓΙΕΣ ΓΙΑ ΤΟ ΣΥΣΤΗΜΑ ΧΛΩΡΙΩΤΗ ΑΛΑΤΟΣ

ΣΗΜΕΙΩΣΗ: ΓΙΑ ΤΗ ΧΡΗΣΗ ΤΟΥ ΣΥΣΤΗΜΑΤΟΣ ΧΛΩΡΙΩΤΗ ΑΛΑΤΟΣ, ΠΑΡΑΚΑΛΟΥΜΕ ΠΡΟΣΘΕΣΤΕ ΤΟ ΑΛΑΤΙ ΣΤΟ ΝΕΡΟ ΚΑΙ ΑΚΟΛΟΥΘΗΣΤΕ ΤΑ ΠΑΡΑΚΑΤΩ ΒΗΜΑΤΑ.

- (1) ΕΝΕΡΓΟΠΟΙΗΣΤΕ ΤΟ ΣΥΣΤΗΜΑ HydroJet ΓΙΑ ΝΑ ΞΕΚΙΝΗΣΕΙ Η ΚΥΚΛΟΦΟΡΙΑ ΤΟΥ ΝΕΡΟΥ.
- (2) ΔΙΑΤΗΡΗΣΤΕ ΤΟ ΣΥΣΤΗΜΑ ΧΛΩΡΙΩΤΗ ΑΛΑΤΟΣ ΑΠΕΝΕΡΓΟΠΟΙΗΜΕΝΟ.
- (3) ΠΡΟΣΘΕΣΤΕ ΣΤΑΔΙΑΚΑ 2 kg / 4,4 lbs ΑΛΑΤΙΟΥ ΣΤΗΝ ΠΙΖΙΝΑ SPA, ΧΡΗΣΙΜΟΠΟΙΕΙΤΕ ΜΟΝΟ ΧΛΩΡΙΟΥΧΟ ΝΑΤΡΙΟ (NaCl) ΚΑΘΑΡΟΤΗΤΑΣ ΤΟΥΛΑΧΙΣΤΟΝ 99,9% Η ΤΑΜΠΛΕΤΕΣ ΑΠΟΣΚΛΗΡΥΝΣΗΣ ΝΕΡΟΥ (ΟΙ ΣΥΜΠΙΕΣΜΕΝΕΣ ΜΟΡΦΕΣ ΕΞΑΤΜΙΣΜΕΝΟΥ ΑΛΑΤΟΣ - ΘΑ ΧΡΕΙΑΣΤΟΥΝ ΠΕΡΙΣΣΟΤΕΡΟ ΧΡΟΝΟ ΓΙΑ ΝΑ ΔΙΑΛΥΘΟΥΝ). ΔΙΑΤΗΡΗΣΤΕ ΤΟ ΣΥΣΤΗΜΑ HydroJet ΣΕ ΛΕΙΤΟΥΡΓΙΑ ΓΙΑ 5 ΛΕΠΤΑ.
- (4) ΟΤΑΝ ΔΙΑΛΥΘΕΙ ΟΛΟ ΤΟ ΑΛΑΤΙ, ΕΝΕΡΓΟΠΟΙΗΣΤΕ ΤΟ ΣΥΣΤΗΜΑ ΧΛΩΡΙΩΤΗ ΑΛΑΤΟΣ ΚΑΙ ΡΥΘΜΙΣΤΕ ΤΗ ΔΙΑΡΚΕΙΑ ΛΕΙΤΟΥΡΓΙΑΣ (ΑΝΑΤΡΕΨΤΕ ΣΤΙΣ ΟΔΗΓΙΕΣ ΤΟΥ ΠΛΗΚΤΡΟΥ ΣΥΣΤΗΜΑΤΟΣ ΧΛΩΡΙΩΤΗ ΑΛΑΤΟΣ).

ΣΗΜΕΙΩΣΗ: ΣΥΝΔΕΣΤΕ ΤΟ ΚΑΛΥΜΜΑ SPA ΚΑΤΑ ΤΗ ΔΙΑΔΙΚΑΣΙΑ ΧΛΩΡΙΩΣΗΣ ΑΛΑΤΟΣ.

E11 ΠΡΟΣΘΕΣΤΕ ΑΛΑΤΙ ΕΑΝ Η ΣΤΑΘΜΗ ΑΛΑΤΟΣ ΕΙΝΑΙ ΥΠΕΡΒΟΛΙΚΑ ΧΑΜΗΛΗ

ΕΑΝ ΔΕΝ ΕΧΕΙ ΠΡΟΣΤΕΘΕΙ ΑΡΚΕΤΟ ΑΛΑΤΙ, Ο ΠΙΝΑΚΑΣ ΕΛΕΓΧΟΥ ΕΜΦΑΝΙΖΕΙ ΚΩΔΙΚΟ ΣΦΑΛΜΑΤΟΣ "E11".

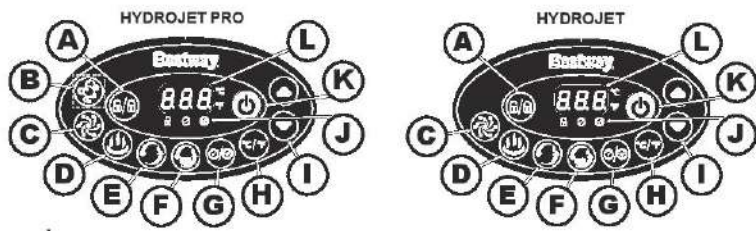
- (1) ΑΠΟΣΥΝΔΕΣΤΕ ΤΟ SPA ΑΠΟ ΤΗΝ ΤΡΟΦΟΔΟΣΙΑ ΚΑΙ ΕΠΑΝΑΣΥΝΔΕΣΤΕ ΤΟ, ΣΤΗ ΣΥΝΕΧΕΙΑ ΠΙΕΣΤΕ ΤΟ ΠΛΗΚΤΡΟ "RESET".
- (2) ΕΝΕΡΓΟΠΟΙΗΣΤΕ ΤΟ ΣΥΣΤΗΜΑ HydroJet.
- (3) ΣΤΑΔΙΑΚΑ ΠΡΟΣΘΕΣΤΕ ΚΑΙ ΔΙΑΛΥΣΤΕ 0,5 kg/1, 1 lbs ΑΛΑΤΟΣ.
- (4) ΕΚΚΙΝΗΣΤΕ ΤΟ ΣΥΣΤΗΜΑ ΧΛΩΡΙΩΤΗ ΑΛΑΤΟΣ.
- (5) ΕΑΝ Ο ΚΩΔΙΚΟΣ "E11" ΠΑΡΑΜΕΝΕΙ, ΑΚΟΛΟΥΘΗΣΤΕ ΤΑ ΠΑΡΑΠΑΝΩ ΒΗΜΑΤΑ ΜΕΧΡΙ ΝΑ ΕΞΑΦΑΝΙΣΤΕΙ Ο ΚΩΔΙΚΟΣ ΣΦΑΛΜΑΤΟΣ "E11".

E10 ΑΦΑΙΡΕΣΤΕ ΑΛΑΤΙ ΕΑΝ Η ΣΤΑΘΜΗ ΑΛΑΤΟΣ ΕΙΝΑΙ ΥΠΕΡΒΟΛΙΚΑ ΥΨΗΛΗ

ΕΑΝ ΠΡΟΣΤΕΘΗΚΕ ΥΠΕΡΒΟΛΙΚΟ ΑΛΑΤΙ, Ο ΠΙΝΑΚΑΣ ΕΛΕΓΧΟΥ ΕΜΦΑΝΙΖΕΙ ΚΩΔΙΚΟ ΣΦΑΛΜΑΤΟΣ "E10".

- (1) ΑΠΟΣΥΝΔΕΣΤΕ ΤΟ SPA ΑΠΟ ΤΗΝ ΤΡΟΦΟΔΟΣΙΑ.
- (2) ΑΠΟΣΤΡΑΓΓΙΣΤΕ ΚΑΙ ΝΑ ΞΑΝΑΓΕΜΙΣΤΕ ΠΕΡΙΠΟΥ ΤΟ 20% ΤΟΥ ΝΕΡΟΥ.
- (3) ΕΚΚΙΝΗΣΤΕ ΤΟ ΣΥΣΤΗΜΑ ΧΛΩΡΙΩΤΗ ΑΛΑΤΟΣ.
- (4) ΕΑΝ Ο ΚΩΔΙΚΟΣ "E10" ΠΑΡΑΜΕΝΕΙ, ΑΚΟΛΟΥΘΗΣΤΕ ΤΑ ΠΑΡΑΠΑΝΩ ΒΗΜΑΤΑ ΜΕΧΡΙ ΝΑ ΕΞΑΦΑΝΙΣΤΕΙ Ο ΣΥΝΑΓΕΡΜΟΣ "E10".

- A ΠΛΗΚΤΡΟ ΚΛΕΙΔΩΜΑΤΟΣ/ΞΕΚΛΕΙΔΩΜΑΤΟΣ**
Η ΑΝΤΛΙΑ ΔΙΑΒΕΤΕΙ ΑΥΤΟΜΑΤΑ ΚΑΙ ΜΕΙΝΕΙ ΣΕ ΛΕΙΤΟΥΡΓΙΑ ΜΕΤΑ ΤΗΝ ΕΝΑΡΧΗ ΤΗΣ ΑΝΤΛΙΑΣ ΕΝΔΕΙΧΝΟΜΕΝΗ ΚΑΘΩΣ ΛΕΙΤΟΥΡΓΙΑ ΣΕ ΕΡΓΟΛΟΓΙΩΜΕΝΗ. ΓΙΑ ΝΑ ΚΛΕΙΔΩΣΕΤΕ Η ΝΑ ΞΕΚΛΕΙΔΩΣΕΤΕ ΤΗΝ ΑΝΤΛΙΑ, ΤΟΠΟΘΕΤΗΣΤΕ ΤΟ ΔΑΚΤΥΛΙΟ ΣΑΣ ΠΙΝΟ ΑΠΟ ΤΟ ΠΛΗΚΤΡΟ ΚΛΕΙΔΩΜΑΤΟΣ/ΞΕΚΛΕΙΔΩΜΑΤΟΣ ΠΑΣ ΔΕΥΤΕΡΟΛΕΙΤΑ.
- B ΠΛΗΚΤΡΟ ΣΥΣΤΗΜΑΤΟΣ LAY-Z-MASSAGE (ΓΙΑ ΤΟ Hydro-Jet Pro)**
ΧΡΗΣΙΜΟΠΟΙΗΣΤΕ ΑΥΤΟ ΤΟ ΠΛΗΚΤΡΟ ΠΑΝΑ ΕΝΕΡΓΟΠΟΙΗΣΤΕ ΤΟ ΣΥΣΤΗΜΑ ΜΑΖΑΣ, ΤΟ ΟΠΟΙΟ ΔΙΑΘΕΤΕΙ ΕΝΑ ΧΑΡΑΚΤΗΡΙΣΤΙΚΟ ΑΥΤΟΜΑΤΗΣ ΔΙΑΚΟΠΗΣ ΛΕΙΤΟΥΡΓΙΑΣ 30 ΛΕΠΤΩΝ. Η ΛΥΧΝΙΑ ΕΠΑΝΩ ΑΠΟ ΤΟ ΠΛΗΚΤΡΟ ΣΥΣΤΗΜΑΤΟΣ Lay-Z-Massage ΑΝΑΒΕΙ ΚΟΚΚΙΝΗ ΟΤΑΝ ΕΙΝΑΙ ΕΝΕΡΓΟΠΟΙΗΜΕΝΟ.
ΣΗΜΑΝΤΙΚΟ: ΜΗΝ ΛΕΙΤΟΥΡΓΕΙΤΕ ΤΟ ΣΥΣΤΗΜΑ Lay-Z-Massage ΟΤΑΝ ΔΕΝ ΕΙΝΑΙ ΣΥΝΔΕΔΕΜΕΝΟ ΤΟ ΚΑΛΥΜΜΑ. ΜΠΟΡΕΙ ΝΑ ΣΥΣΤΡΕΦΕΤΕΙ ΑΠΕΡΑΣ ΜΕΣΑ ΣΤΟ ΣΡΑΚΑ ΚΑΙ ΝΑ ΠΡΟΚΑΛΕΣΕΙ ΑΝΕΠΑΝΑΡΤΗΡΕΤΕΣ ΖΗΜΙΕΣ ΣΤΟ ΚΑΛΥΜΜΑ ΚΑΙ ΣΩΜΑΤΙΚΕΣ ΒΛΑΒΕΣ.
ΣΗΜΕΙΩΣΗ: Η ΘΕΡΜΑΝΣΗ ΚΑΙ ΤΟ ΣΥΣΤΗΜΑ ΜΑΖΑΣ ΣΥΝΕΡΓΑΖΟΝΤΑΙ ΓΙΑ ΝΑ ΔΗΜΙΟΥΡΓΗΣΟΥΝ ΜΙΑ ΘΕΡΜΗ ΕΜΠΕΙΡΙΑ ΜΑΖΑΣ.



- C ΠΛΗΚΤΡΟ ΣΥΣΤΗΜΑΤΟΣ HYDROJET**
ΑΥΤΟ ΤΟ ΠΛΗΚΤΡΟ ΕΝΕΡΓΟΠΟΙΕΙ ΚΑΙ ΑΠΕΝΕΡΓΟΠΟΙΕΙ ΤΗΝ ΑΝΤΛΙΑ ΝΕΡΟΥ. Η ΛΥΧΝΙΑ ΕΠΑΝΩ ΑΠΟ ΤΟ ΠΛΗΚΤΡΟ ΣΥΣΤΗΜΑΤΟΣ Hydrojet ΑΝΑΒΕΙ ΚΟΚΚΙΝΗ ΟΤΑΝ ΕΙΝΑΙ ΕΝΕΡΓΟΠΟΙΗΜΕΝΟ.
ΣΗΜΕΙΩΣΗ: ΤΟ ΣΥΣΤΗΜΑ ΘΑ ΑΠΕΝΕΡΓΟΠΟΙΗΘΕΙ ΑΥΤΟΜΑΤΑ ΜΕΤΑ ΑΠΟ 1 ΩΡΑ.
ΣΗΜΕΙΩΣΗ: ΜΗ ΛΕΙΤΟΥΡΓΕΙΤΕ ΤΟ ΣΥΣΤΗΜΑ Hydrojet ΧΩΡΙΣ ΥΠΡΟ.
- D ΠΛΗΚΤΡΟ ΘΕΡΜΑΝΣΗΣ**
ΧΡΗΣΙΜΟΠΟΙΗΣΤΕ ΑΥΤΟ ΤΟ ΠΛΗΚΤΡΟ ΠΑΝΑ ΕΝΕΡΓΟΠΟΙΗΣΤΕ ΤΟ ΣΥΣΤΗΜΑ ΘΕΡΜΑΝΣΗΣ, ΟΤΑΝ Η ΛΥΧΝΙΑ ΕΠΑΝΩ ΑΠΟ ΤΟ ΠΛΗΚΤΡΟ ΘΕΡΜΑΝΣΗΣ ΑΝΑΒΕΙ ΚΟΚΚΙΝΗ. ΤΟ ΣΥΣΤΗΜΑ ΘΕΡΜΑΝΣΗΣ ΕΙΝΑΙ ΕΝΕΡΓΟΠΟΙΗΜΕΝΟ ΟΤΑΝ Η ΛΥΧΝΙΑ ΑΝΑΒΕΙ ΠΡΑΣΙΝΗ, ΤΟ ΝΕΡΟ ΕΙΝΑΙ ΣΤΗ ΡΥΘΜΙΣΜΕΝΗ ΘΕΡΜΟΚΡΑΣΙΑ ΚΑΙ ΤΟ ΣΥΣΤΗΜΑ ΘΕΡΜΑΝΣΗΣ ΕΙΝΑΙ ΣΕ ΚΑΤΑΣΤΑΣΗ ΑΝΑΠΛΑΣΗΣ.
ΣΗΜΕΙΩΣΗ: ΕΝΔΕΙΧΝΟΜΕΝΟ ΤΟ ΣΥΣΤΗΜΑ ΘΕΡΜΑΝΣΗΣ ΤΟ ΣΥΣΤΗΜΑ ΦΙΛΤΡΑΡΙΣΜΑΤΟΣ ΘΑ ΣΕΚΙΝΗΣΕΙ ΑΥΤΟΜΑΤΑ.
ΣΗΜΕΙΩΣΗ: ΑΦΟΥ ΑΠΕΝΕΡΓΟΠΟΙΗΣΤΕ ΤΟ ΣΥΣΤΗΜΑ ΘΕΡΜΑΝΣΗΣ, ΤΟ ΣΥΣΤΗΜΑ ΦΙΛΤΡΑΡΙΣΜΑΤΟΣ ΘΑ ΣΥΝΕΧΙΣΕΙ ΝΑ ΛΕΙΤΟΥΡΓΕΙ.
- E ΠΛΗΚΤΡΟ ΦΙΛΤΡΟΥ ΝΕΡΟΥ**
ΑΥΤΟ ΤΟ ΠΛΗΚΤΡΟ ΕΝΕΡΓΟΠΟΙΕΙ ΚΑΙ ΑΠΕΝΕΡΓΟΠΟΙΕΙ ΤΗΝ ΑΝΤΛΙΑ ΦΙΛΤΡΟΥ. Η ΛΥΧΝΙΑ ΕΠΑΝΩ ΑΠΟ ΤΟ ΠΛΗΚΤΡΟ ΦΙΛΤΡΟΥ ΝΕΡΟΥ ΑΝΑΒΕΙ ΚΟΚΚΙΝΗ ΟΤΑΝ ΕΙΝΑΙ ΕΝΕΡΓΟΠΟΙΗΜΕΝΟ.
ΣΗΜΕΙΩΣΗ: Η ΕΝΔΕΙΧΝΟΜΕΝΗ ΛΕΙΤΟΥΡΓΙΑ ΕΠΕΞΕΤΑΣΤΕΙΑΣ ΣΧΛΗΡΟΥ ΝΕΡΟΥ ΛΕΙΤΟΥΡΓΕΙ ΑΥΤΟΜΑΤΑ.
- F ΠΛΗΚΤΡΟ ΣΥΣΤΗΜΑΤΟΣ ΧΛΩΡΙΩΤΗ ΑΛΑΤΟΣ**
ΧΡΗΣΙΜΟΠΟΙΗΣΤΕ ΑΥΤΟ ΤΟ ΠΛΗΚΤΡΟ ΠΑΝΑ ΕΝΕΡΓΟΠΟΙΗΣΤΕ ΤΟ ΣΥΣΤΗΜΑ ΧΛΩΡΙΩΤΗ ΑΛΑΤΟΣ ΚΑΙ ΡΥΘΜΙΣΤΕ ΤΗ ΔΙΑΡΚΕΙΑ ΛΕΙΤΟΥΡΓΙΑΣ. ΜΠΟΡΕΤΕ ΝΑ ΡΥΘΜΙΣΤΕ ΤΗ ΔΙΑΡΚΕΙΑ ΛΕΙΤΟΥΡΓΙΑΣ ΑΠΟ 3 ΕΩΣ 6 ΩΡΕΣ ΕΩΣ 3 ΩΡΕΣ ΠΙΝΟΝΤΑΣ ΤΟ ΠΛΗΚΤΡΟ ΣΥΣΤΗΜΑΤΟΣ ΧΛΩΡΙΩΤΗ ΑΛΑΤΟΣ. ΜΕΤΑ ΤΗ ΡΥΘΜΙΣΗ ΤΗΣ ΔΙΑΡΚΕΙΑΣ ΛΕΙΤΟΥΡΓΙΑΣ ΤΟ ΣΥΣΤΗΜΑ ΧΛΩΡΙΩΤΗ ΑΛΑΤΟΣ ΘΑ ΣΕΚΙΝΗΣΕΙ ΑΥΤΟΜΑΤΑ ΤΗ ΛΕΙΤΟΥΡΓΙΑ ΤΟΥ.
ΣΗΜΕΙΩΣΗ: ΜΗΝ ΠΙΝΕΤΕ ΟΡΓΑΝΩΜΕΝΑ ΠΛΗΚΤΡΑ ΣΤΟΝ ΠΙΝΑΚΑ ΕΛΕΓΧΟΥ ΚΑΙ ΤΟΠΟΘΕΤΗΣΤΕ ΤΟ ΚΑΛΥΜΜΑ ΣΡΑΚΑΤΑ ΤΗ ΔΙΑΡΚΕΙΑ ΤΗΣ ΔΙΑΔΙΚΑΣΙΑΣ ΧΛΩΡΙΩΣΗΣ. ΜΠΟΡΕΤΕ ΝΑ ΕΠΑΝΑΡΥΘΜΙΣΤΕ ΤΗ ΔΙΑΡΚΕΙΑ ΛΕΙΤΟΥΡΓΙΑΣ ΠΙΝΟΝΤΑΣ ΤΟ ΠΛΗΚΤΡΟ ΣΥΣΤΗΜΑΤΟΣ ΧΛΩΡΙΩΤΗ ΑΛΑΤΟΣ.
ΣΗΜΕΙΩΣΗ: ΕΛΕΓΧΕΤΕ ΤΟ ΝΕΡΟ ΤΑΚΤΙΚΑ ΚΑΙ ΒΕΒΑΙΩΘΕΙΤΕ ΟΤΙ Η ΣΤΑΘΜΗ ΕΛΕΥΘΕΡΟΥ ΧΛΩΡΟΥ ΕΙΝΑΙ ΜΕΤΑΞΥ 2-4 ppm.

- H ΕΝΑΛΛΑΓΗ ΒΑΘΜΩΝ ΚΕΛΣΙΟΥ/ΦΑΡΕΝΑΙΤ**
Η ΘΕΡΜΟΚΡΑΣΙΑ ΜΠΟΡΕΙ ΝΑ ΠΡΟΒΛΗΤΑΙ ΣΕ ΒΑΘΜΟΥΣ ΚΕΛΣΙΟΥ Η ΣΕ ΒΑΘΜΟΥΣ ΦΑΡΕΝΑΙΤ.
- I ΠΛΗΚΤΡΑ ΡΥΘΜΙΣΗΣ ΘΕΡΜΟΚΡΑΣΙΑΣ**
Η ΠΙΣΤΗ ΤΩΝ ΠΛΗΚΤΡΩΝ ΑΥΞΗΣΗΣ Η ΜΕΙΩΣΗΣ ΘΕΡΜΟΚΡΑΣΙΑΣ ΘΑ ΠΡΟΚΑΛΕΣΕΙ ΑΝΑΛΑΜΠΕΣ ΤΟΥ LED ΟΤΑΝ ΑΝΑΒΟΣΘΗΝΕΙ ΜΠΟΡΕΤΕ ΝΑ ΡΥΘΜΙΣΤΕ ΣΤΗΝ ΕΠΙΘΥΜΗΤΗ ΘΕΡΜΟΚΡΑΣΙΑ. ΕΑΝ ΚΡΑΤΗΣΕΤΕ ΠΙΣΤΕΜΕΝΑ ΤΑ ΠΛΗΚΤΡΑ ΟΙ ΤΙΜΕΣ ΘΑ ΑΥΞΗΘΟΥΝ Η ΘΑ ΜΕΙΩΘΟΥΝ ΓΡΗΓΟΡΑ. Η ΝΕΑ ΚΑΙ ΕΠΙΘΥΜΗΤΗ ΡΥΘΜΙΣΗ ΘΕΡΜΟΚΡΑΣΙΑΣ ΘΑ ΠΑΡΑΜΕΙΝΕΙ ΣΤΗΝ ΟΘΟΝΗ LED ΓΙΑ 3 ΔΕΥΤΕΡΟΛΕΠΤΑ ΓΙΑ ΝΑ ΕΠΙΒΕΒΑΙΩΘΕΙ Η ΝΕΑ ΤΙΜΗ.
ΣΗΜΕΙΩΣΗ: Η ΠΡΟΕΠΙΛΕΓΜΕΝΗ ΘΕΡΜΟΚΡΑΣΙΑ ΕΙΝΑΙ 35°C (95°F).
ΣΗΜΕΙΩΣΗ: Η ΡΥΘΜΙΣΗ ΘΕΡΜΟΚΡΑΣΙΑΣ ΚΥΜΑΙΝΕΤΑΙ ΑΠΟ 20°C (68°F) ΕΩΣ 40°C (104°F).
- J LED ΧΡΟΝΟΔΙΑΚΟΠΤΗ ΕΞΟΙΚΟΝΟΜΗΣΗΣ ΕΝΕΡΓΕΙΑΣ**
ΟΤΑΝ ΑΥΤΗ Η ΛΥΧΝΙΑ LED ΑΝΑΒΟΣΘΗΝΕΙ ΣΗΜΑΙΝΕΙ ΟΤΙ ΡΥΘΜΙΣΤΕ ΤΗ ΔΙΑΡΚΕΙΑ ΘΕΡΜΑΝΣΗΣ Η ΛΥΧΝΙΑ ΘΑ ΕΙΝΑΙ ΑΝΑΜΕΜΕΝΗ ΟΤΑΝ Η ΛΕΙΤΟΥΡΓΙΑ ΘΕΡΜΑΝΣΗΣ ΑΡΧΙΣΕΙ ΝΑ ΛΕΙΤΟΥΡΓΕΙ.
ΟΤΑΝ ΑΥΤΗ Η ΛΥΧΝΙΑ LED ΑΝΑΒΟΣΘΗΝΕΙ ΣΗΜΑΙΝΕΙ ΟΤΙ ΡΥΘΜΙΣΤΕ ΤΟΝ ΑΡΙΘΜΟ ΤΩΝ ΩΡΩΝ ΑΠΟ ΤΩΡΑ ΜΕΧΡΙ ΝΑ ΕΝΕΡΓΟΠΟΙΗΘΕΙ Ο ΘΕΡΜΑΝΤΗΡΑΣ. ΟΤΑΝ Η ΛΥΧΝΙΑ ΕΙΝΑΙ ΑΝΑΜΕΜΕΝΗ, Η ΛΕΙΤΟΥΡΓΙΑ ΧΡΟΝΟΔΙΑΚΟΠΤΗΣ ΕΞΟΙΚΟΝΟΜΗΣΗΣ ΕΝΕΡΓΕΙΑΣ ΕΧΕΙ ΡΥΘΜΙΣΤΕΙ.
- K ΠΛΗΚΤΡΟ On/Off (ΕΝΕΡΓΟΠΟΙΗΣΗΣ/ΑΠΕΝΕΡΓΟΠΟΙΗΣΗΣ)**
ΠΙΣΤΕΤΕ ΑΥΤΟ ΤΟ ΠΛΗΚΤΡΟ ΓΙΑ 2 ΔΕΥΤΕΡΟΛΕΠΤΑ ΓΙΑ ΝΑ ΕΝΕΡΓΟΠΟΙΗΣΤΕ ΤΑ ΠΛΗΚΤΡΑ ΤΟΥ ΠΙΝΑΚΑ ΕΛΕΓΧΟΥ ΚΑΙ Η ΛΥΧΝΙΑ ΠΙΝΤΑΙ ΠΡΑΣΙΝΗ.
ΠΙΣΤΕΤΕ ΑΥΤΟ ΤΟ ΠΛΗΚΤΡΟ ΓΙΑ 2 ΔΕΥΤΕΡΟΛΕΠΤΑ ΓΙΑ ΝΑ ΑΠΕΝΕΡΓΟΠΟΙΗΣΤΕ ΟΛΕΣ ΤΙΣ ΕΝΕΡΓΟΠΟΙΗΜΕΝΕΣ ΛΕΙΤΟΥΡΓΙΕΣ.
- L ΟΘΟΝΗ LED**
ΑΦΟΥ ΕΝΕΡΓΟΠΟΙΗΘΕΙ Η ΟΘΟΝΗ LED ΕΜΦΑΝΙΖΕΙ ΤΗΝ ΤΡΕΧΟΥΣΑ ΘΕΡΜΟΚΡΑΣΙΑ ΝΕΡΟΥ ΑΥΤΟΜΑΤΑ ΜΕΤΑ ΑΠΟ 72 ΩΡΕΣ ΦΙΛΤΡΑΡΙΣΜΑΤΟΣ (ΧΩΡΙΣ ΧΡΗΣΗ ΤΗΣ ΛΕΙΤΟΥΡΓΙΑΣ ΧΡΟΝΟΔΙΑΚΟΠΤΗΣ ΕΞΟΙΚΟΝΟΜΗΣΗΣ ΕΝΕΡΓΕΙΑΣ). Η ΑΝΤΛΙΑ ΘΑ ΠΙΝΕΙ ΣΕ "ΧΕΙΜΕΡΙΑ ΝΑΡΚΗ" ΚΑΙ ΘΑ ΑΝΑΒΟΣΘΗΝΕΙ Η ΕΝΔΕΙΧΗ End ΜΕ ΤΗΝ ΤΡΕΧΟΥΣΑ ΘΕΡΜΟΚΡΑΣΙΑ ΝΕΡΟΥ. ΟΤΑΝ Η ΑΝΤΛΙΑ ΕΙΝΑΙ ΣΕ "ΧΕΙΜΕΡΙΑ ΝΑΡΚΗ" ΟΙ ΦΙΛΤΡΑΡΙΣΜΑΤΟΣ ΓΙΑ ΤΟΥΣ ΧΛΩΡΙΩΤΕΣ ΕΝΔΕΙΧΝΟΝΤΕΣ ΤΗΝ ΘΕΡΜΟΚΡΑΣΙΑ ΤΟΥ ΝΕΡΟΥ ΠΟΥ ΕΛΕΓΧΕΤΑΙ ΑΠΟ ΕΝΑ ΕΞΩΤΕΡΙΚΟ ΘΕΡΜΟΜΕΤΡΟ ΜΠΟΡΕΙ ΝΑ ΔΙΑΒΕΤΕΙ ΑΠΟ ΤΗ ΘΕΡΜΟΚΡΑΣΙΑ ΠΟΥ ΕΜΦΑΝΙΖΕΤΑΙ ΣΤΗΝ ΟΘΟΝΗ ΤΟΥ ΣΡΑΚΑ ΑΣΤΟ ΤΩΝ ΔΙΑΦΟΡΕΤΙΚΩΝ ΒΕΣΣΩΝ ΤΩΝ ΣΥΣΚΕΥΩΝ ΜΕΤΡΗΣΗΣ.
ΣΗΜΕΙΩΣΗ: Ο ΡΥΘΜΟΣ ΘΕΡΜΑΝΣΗΣ ΤΟΥ ΝΕΡΟΥ ΜΠΟΡΕΙ ΝΑ ΑΛΛΑΞΕΙ ΣΤΙΣ ΠΑΡΑΚΑΤΩ ΣΥΝΘΗΚΕΣ. ΟΤΑΝ Η ΕΞΩΤΕΡΙΚΗ ΘΕΡΜΟΚΡΑΣΙΑ ΕΙΝΑΙ ΚΑΤΩ ΑΠΟ 15°C (59°F).
- ΕΑΝ ΤΟ ΚΑΛΥΜΜΑ ΔΕΝ ΕΙΝΑΙ ΣΤΗ ΒΕΣΗ ΤΟΥ ΟΤΑΝ ΕΝΕΡΓΟΠΟΙΗΘΕΙ Η ΛΕΙΤΟΥΡΓΙΑ ΘΕΡΜΑΝΣΗΣ.
ΣΗΜΕΙΩΣΗ: ΓΙΑ ΝΑ ΕΜΦΑΝΙΣΤΕ ΤΗΝ ΤΡΕΧΟΥΣΑ ΘΕΡΜΟΚΡΑΣΙΑ ΝΕΡΟΥ, ΛΕΙΤΟΥΡΓΗΣΤΕ ΤΟ ΣΥΣΤΗΜΑ ΦΙΛΤΡΑΡΙΣΜΑΤΟΣ ΓΙΑ ΤΟΥΣ ΧΛΩΡΙΩΤΕΣ ΕΝΔΕΙΧΝΟΝΤΕΣ ΤΗΝ ΘΕΡΜΟΚΡΑΣΙΑ ΤΟΥ ΝΕΡΟΥ ΠΟΥ ΕΛΕΓΧΕΤΑΙ ΑΠΟ ΕΝΑ ΕΞΩΤΕΡΙΚΟ ΘΕΡΜΟΜΕΤΡΟ ΜΠΟΡΕΙ ΝΑ ΔΙΑΒΕΤΕΙ ΑΠΟ ΤΗ ΘΕΡΜΟΚΡΑΣΙΑ ΠΟΥ ΕΜΦΑΝΙΖΕΤΑΙ ΣΤΗΝ ΟΘΟΝΗ ΤΟΥ ΣΡΑΚΑ ΑΣΤΟ ΤΩΝ ΔΙΑΦΟΡΕΤΙΚΩΝ ΒΕΣΣΩΝ ΤΩΝ ΣΥΣΚΕΥΩΝ ΜΕΤΡΗΣΗΣ.

ΒΗΜΑ 1: ΡΥΘΜΙΣΤΕ ΤΗ ΔΙΑΡΚΕΙΑ ΤΗΣ ΘΕΡΜΑΝΣΗΣ

- ΠΙΣΤΕΤΕ ΤΟ ΠΛΗΚΤΡΟ **ON** ΜΕΧΡΙ Η ΛΥΧΝΙΑ LED **ON** ΑΡΧΙΣΕΙ ΝΑ ΑΝΑΒΟΣΘΗΝΕΙ.
- ΠΙΣΤΕΤΕ ΤΟ ΠΛΗΚΤΡΟ **M** **ON** ΓΙΑ ΝΑ ΡΥΘΜΙΣΤΕ ΤΗ ΔΙΑΡΚΕΙΑ ΤΗΣ ΘΕΡΜΑΝΣΗΣ (ΑΠΟ 1-6 ΩΡΕΣ).
- ΠΙΣΤΕΤΕ ΞΑΝΑ ΤΟ ΠΛΗΚΤΡΟ **ON** ΓΙΑ ΝΑ ΕΠΙΒΕΒΑΙΩΣΕΤΕ ΤΗ ΔΙΑΡΚΕΙΑ ΤΗΣ ΘΕΡΜΑΝΣΗΣ.

ΒΗΜΑ 2: ΡΥΘΜΙΣΤΕ ΤΟΝ ΑΡΙΘΜΟ ΤΩΝ ΩΡΩΝ ΑΠΟ ΤΩΡΑ ΓΙΑ ΤΟ ΠΟΤΕ ΘΑ ΕΝΕΡΓΟΠΟΙΗΘΕΙ Η ΘΕΡΜΑΝΣΗ

- ΜΕΤΑ ΤΗ ΡΥΘΜΙΣΗ ΤΗΣ ΔΙΑΡΚΕΙΑΣ ΤΗΣ ΘΕΡΜΑΝΣΗΣ, Η ΛΥΧΝΙΑ LED **ON** ΑΡΧΙΣΕΙ ΝΑ ΑΝΑΒΟΣΘΗΝΕΙ.
- ΠΙΣΤΕΤΕ ΤΟ ΠΛΗΚΤΡΟ **M** **ON** ΓΙΑ ΝΑ ΡΥΘΜΙΣΤΕ ΤΙΣ ΩΡΕΣ ΜΕΧΡΙ ΤΗΝ ΩΡΑ ΤΗΣ ΕΝΕΡΓΟΠΟΙΗΣΗΣ (ΑΠΟ 0-99 ΩΡΕΣ).
- ΠΙΣΤΕΤΕ ΞΑΝΑ ΤΟ ΠΛΗΚΤΡΟ **ON** **ON** Η ΑΝΤΛΙΑ ΜΗ ΑΓΓΕΙΤΕ ΤΙΠΟΤΑ ΓΙΑ 10 ΔΕΥΤΕΡΟΛΕΠΤΑ ΓΙΑ ΝΑ ΕΠΙΒΕΒΑΙΩΣΕΤΕ ΤΗ ΡΥΘΜΙΣΗ Η ΛΥΧΝΙΑ LED **ON** ΘΑ ΑΝΑΒΕΙ ΣΤΑΘΕΡΑ ΚΑΙ ΘΑ ΣΕΚΙΝΗΣΕΙ Η ΑΝΤΙΣΤΡΟΦΗ ΜΕΤΡΗΣΗ ΓΙΑ ΤΗΝ ΕΝΕΡΓΟΠΟΙΗΣΗ ΤΗΣ ΘΕΡΜΑΝΣΗΣ.

ΓΙΑ ΝΑ ΤΡΟΠΟΠΟΙΗΣΤΕ ΤΗ ΡΥΘΜΙΣΗ ΤΟΥ ΧΡΟΝΟΔΙΑΚΟΠΤΗ: ΠΙΣΤΕΤΕ ΤΟ ΠΛΗΚΤΡΟ **ON** ΚΑΙ ΧΡΗΣΙΜΟΠΟΙΗΣΤΕ ΤΟ ΠΛΗΚΤΡΟ **M** **ON** ΓΙΑ ΡΥΘΜΙΣΗ.

ΑΚΥΡΩΣΗ ΤΗΣ ΡΥΘΜΙΣΗΣ: ΠΙΣΤΕΤΕ ΤΟ ΠΛΗΚΤΡΟ **ON** ΓΙΑ 2 ΔΕΥΤΕΡΟΛΕΠΤΑ.

ΒΗΜΑ 1: ΡΥΘΜΙΣΤΕ ΤΗ ΔΙΑΡΚΕΙΑ ΤΗΣ ΘΕΡΜΑΝΣΗΣ

- ΠΙΣΤΕΤΕ ΤΟ ΠΛΗΚΤΡΟ **ON** ΜΕΧΡΙ Η ΛΥΧΝΙΑ LED **ON** ΑΡΧΙΣΕΙ ΝΑ ΑΝΑΒΟΣΘΗΝΕΙ.
- ΠΙΣΤΕΤΕ ΤΟ ΠΛΗΚΤΡΟ **M** **ON** ΓΙΑ ΝΑ ΡΥΘΜΙΣΤΕ ΤΗ ΔΙΑΡΚΕΙΑ ΤΗΣ ΘΕΡΜΑΝΣΗΣ (ΑΠΟ 1-6 ΩΡΕΣ).
- ΠΙΣΤΕΤΕ ΞΑΝΑ ΤΟ ΠΛΗΚΤΡΟ **ON** ΓΙΑ ΝΑ ΕΠΙΒΕΒΑΙΩΣΕΤΕ ΤΗ ΔΙΑΡΚΕΙΑ ΤΗΣ ΘΕΡΜΑΝΣΗΣ.

ΒΗΜΑ 2: ΡΥΘΜΙΣΤΕ ΤΟΝ ΑΡΙΘΜΟ ΤΩΝ ΩΡΩΝ ΑΠΟ ΤΩΡΑ ΓΙΑ ΤΟ ΠΟΤΕ ΘΑ ΕΝΕΡΓΟΠΟΙΗΘΕΙ Η ΘΕΡΜΑΝΣΗ

- ΜΕΤΑ ΤΗ ΡΥΘΜΙΣΗ ΤΗΣ ΔΙΑΡΚΕΙΑΣ ΤΗΣ ΘΕΡΜΑΝΣΗΣ, Η ΛΥΧΝΙΑ LED **ON** ΑΡΧΙΣΕΙ ΝΑ ΑΝΑΒΟΣΘΗΝΕΙ.
- ΠΙΣΤΕΤΕ ΤΟ ΠΛΗΚΤΡΟ **M** **ON** ΓΙΑ ΝΑ ΡΥΘΜΙΣΤΕ ΤΙΣ ΩΡΕΣ ΜΕΧΡΙ ΤΗΝ ΩΡΑ ΤΗΣ ΕΝΕΡΓΟΠΟΙΗΣΗΣ (ΑΠΟ 0-99 ΩΡΕΣ).
- ΠΙΣΤΕΤΕ ΞΑΝΑ ΤΟ ΠΛΗΚΤΡΟ **ON** **ON** Η ΑΝΤΛΙΑ ΜΗ ΑΓΓΕΙΤΕ ΤΙΠΟΤΑ ΓΙΑ 10 ΔΕΥΤΕΡΟΛΕΠΤΑ ΓΙΑ ΝΑ ΕΠΙΒΕΒΑΙΩΣΕΤΕ ΤΗ ΡΥΘΜΙΣΗ Η ΛΥΧΝΙΑ LED **ON** ΘΑ ΑΝΑΒΕΙ ΣΤΑΘΕΡΑ ΚΑΙ ΘΑ ΣΕΚΙΝΗΣΕΙ Η ΑΝΤΙΣΤΡΟΦΗ ΜΕΤΡΗΣΗ ΓΙΑ ΤΗΝ ΕΝΕΡΓΟΠΟΙΗΣΗ ΤΗΣ ΘΕΡΜΑΝΣΗΣ.

ΓΙΑ ΝΑ ΤΡΟΠΟΠΟΙΗΣΤΕ ΤΗ ΡΥΘΜΙΣΗ ΤΟΥ ΧΡΟΝΟΔΙΑΚΟΠΤΗ: ΠΙΣΤΕΤΕ ΤΟ ΠΛΗΚΤΡΟ **ON** ΚΑΙ ΧΡΗΣΙΜΟΠΟΙΗΣΤΕ ΤΟ ΠΛΗΚΤΡΟ **M** **ON** ΓΙΑ ΡΥΘΜΙΣΗ.

ΑΚΥΡΩΣΗ ΤΗΣ ΡΥΘΜΙΣΗΣ: ΠΙΣΤΕΤΕ ΤΟ ΠΛΗΚΤΡΟ **ON** ΓΙΑ 2 ΔΕΥΤΕΡΟΛΕΠΤΑ.

ΣΥΝΑΓΕΡΜΟΙ

ΑΙΤΙΑ	ΑΙΤΙΕΣ	ΛΥΣΕΙΣ	
E01	ΟΙ ΑΙΣΘΗΤΗΡΕΣ ΠΑΡΟΧΗΣ ΝΕΡΟΥ ΛΕΙΤΟΥΡΓΟΥΝ ΧΩΡΙΣ ΝΑ ΠΙΝΕΤΕ ΤΟ ΠΛΗΚΤΡΟ ΦΙΛΤΡΟΥ Η ΘΕΡΜΑΝΣΗΣ.	1. ΑΠΟΣΥΝΔΕΣΤΕ ΤΗΝ ΑΝΤΛΙΑ, ΧΤΥΠΗΣΤΕ ΤΟ ΠΛΕΥΡΟ ΤΗΣ ΑΝΤΛΙΑΣ ΓΕΡΑ (ΑΛΛΑ ΟΧΙ ΒΙΑΙΑ) ΚΑΙ ΣΥΝΔΕΣΤΕ ΤΗΝ ΞΑΝΑ. 2. ΕΠΙΚΟΙΝΩΝΗΣΤΕ ΜΕ ΤΟ ΤΟΠΙΚΟ ΚΕΝΤΡΟ ΣΕΡΒΙΣ ΤΗΣ BESTWAY ΓΙΑ ΟΔΗΓΙΕΣ.	
E02	ΜΕΤΑ ΤΗΝ ΕΚΚΙΝΗΣΗ Η ΚΑΤΑ ΤΗ ΔΙΑΡΚΕΙΑ ΤΩΝ ΛΕΙΤΟΥΡΓΙΩΝ ΦΙΛΤΡΑΡΙΣΜΑΤΟΣ Η/ΚΑΙ ΘΕΡΜΑΝΣΗΣ, ΟΙ ΑΙΣΘΗΤΗΡΕΣ ΠΑΡΟΧΗΣ ΝΕΡΟΥ ΔΕΝ ΑΝΙΧΝΕΥΟΥΝ ΠΑΡΟΧΗ ΝΕΡΟΥ.	1. ΣΕ ΜΑΖΕΣ ΝΑ ΑΦΑΙΡΕΣΕΤΕ ΤΙΣ ΣΤΑΠΕΣ ΑΠΟ ΤΟ ΕΣΩΤΕΡΙΚΟ ΤΗΣ ΠΙΣΙΝΑΣ. 2. ΤΑ ΣΤΟΙΧΕΙΑ ΦΙΛΤΡΟΥ ΕΙΝΑΙ ΒΡΩΜΙΚΑ. 3. ΕΝΕΡΓΟΠΟΙΗΣΤΕ ΤΟ ΣΥΣΤΗΜΑ ΦΙΛΤΡΟΥ Η ΘΕΡΜΑΝΣΗΣ ΚΑΙ ΒΑΨΤΕ ΤΟ ΧΕΡΙ ΣΑΣ ΜΠΡΟΣΤΑ ΑΠΟ ΤΟ ΣΩΛΗΝΟΣΩΜΑ ΜΕΣΑ ΣΤΗΝ ΠΙΣΙΝΑ. Α ΕΑΝ ΔΕΝ ΥΠΑΡΧΕΙ ΕΚΡΟΝ ΝΕΡΟΥ Η ΑΝΤΛΙΑ ΝΕΡΟΥ ΕΧΕΙ ΒΛΑΒΗ. Β ΕΚΡΕΜΕ ΝΕΡΟ ΑΛΛΑ ΕΜΦΑΝΙΖΕΤΑΙ Ο ΣΥΝΑΓΕΡΜΟΣ E07 , ΟΙ ΑΙΣΘΗΤΗΡΕΣ ΠΑΡΟΧΗΣ ΝΕΡΟΥ ΕΧΟΥΝ ΣΤΑΣΕΙ.	1. ΑΦΑΙΡΕΣΤΕ ΤΙΣ ΔΥΟ ΣΤΑΠΕΣ ΠΡΙΝ ΕΝΕΡΓΟΠΟΙΗΣΤΕ ΤΟ ΣΥΣΤΗΜΑ ΘΕΡΜΑΝΣΗΣ. ΑΝΑΤΡΕΨΤΕ ΣΤΗΝ ΕΝΟΤΗΤΑ ΣΥΝΑΡΜΟΛΟΓΗΣΗΣ ΤΩ ΕΓΧΕΙΡΙΔΙΟ ΧΡΗΣΗΣ. 2. ΑΦΑΙΡΕΣΤΕ ΤΟ ΣΕΤ ΦΙΛΤΡΟΥ ΜΕΣΑ ΑΠΟ ΤΗΝ ΠΙΣΙΝΑ ΚΑΙ ΠΙΣΤΕΤΕ ΤΟ ΠΛΗΚΤΡΟ ΦΙΛΤΡΟΥ Η ΘΕΡΜΑΝΣΗΣ. ΕΑΝ ΔΕΝ ΕΜΦΑΝΙΣΤΕΙ ΣΥΝΑΓΕΡΜΟΣ, ΚΑΘΑΡΙΣΤΕ Η ΑΛΛΑΞΤΕ ΤΑ ΣΤΟΙΧΕΙΑ ΦΙΛΤΡΟΥ ΚΑΙ ΕΠΑΝΑΤΟΙΟΘΕΤΗΣΤΕ ΤΟ ΣΕΤ ΦΙΛΤΡΟΥ ΜΕΣΑ ΣΤΗΝ ΠΙΣΙΝΑ. 3. ΕΠΙΚΟΙΝΩΝΗΣΤΕ ΜΕ ΤΟ ΤΟΠΙΚΟ ΚΕΝΤΡΟ ΣΕΡΒΙΣ ΤΗΣ BESTWAY ΓΙΑ ΟΔΗΓΙΕΣ.
E03	ΤΟ ΘΕΡΜΟΜΕΤΡΟ ΤΗΣ ΑΝΤΛΙΑΣ ΕΜΦΑΝΙΖΕΙ ΘΕΡΜΟΚΡΑΣΙΑ ΝΕΡΟΥ ΚΑΤΩ ΑΠΟ 4°C (40°F).	1. Η ΘΕΡΜΟΚΡΑΣΙΑ ΤΟΥ ΝΕΡΟΥ ΕΙΝΑΙ ΧΑΜΗΛΟΤΕΡΗ ΑΠΟ 4°C (40°F). 2. ΕΑΝ Η ΘΕΡΜΟΚΡΑΣΙΑ ΤΟΥ ΝΕΡΟΥ ΕΙΝΑΙ ΜΕΓΑΛΥΤΕΡΗ ΑΠΟ 7°C (44.6°F), ΤΟ ΘΕΡΜΟΜΕΤΡΟ ΤΗΣ ΑΝΤΛΙΑΣ ΕΧΕΙ ΧΑΛΑΣΕΙ.	1. ΤΟ ΣΡΑ ΔΕΝ ΣΧΕΔΙΑΣΤΗΚΕ ΓΙΑ ΛΕΙΤΟΥΡΓΙΑ ΜΕ ΘΕΡΜΟΚΡΑΣΙΕΣ ΝΕΡΟΥ ΚΑΤΩ ΑΠΟ 4°C (40°F). ΑΠΟΣΥΝΔΕΣΤΕ ΤΗΝ ΑΝΤΛΙΑ ΑΠΟ ΤΗΝ ΤΡΟΦΟΔΟΣΙΑ ΚΑΙ ΕΠΑΝΕΚΚΙΝΗΣΤΕ ΤΗΝ ΑΝΤΛΙΑ ΜΟΝΟ ΟΤΑΝ Η ΘΕΡΜΟΚΡΑΣΙΑ ΤΟΥ ΝΕΡΟΥ ΦΘΑΣΕΙ ΤΟΥΣ 6°C (43°F). 2. ΕΠΙΚΟΙΝΩΝΗΣΤΕ ΜΕ ΤΟ ΤΟΠΙΚΟ ΚΕΝΤΡΟ ΣΕΡΒΙΣ ΤΗΣ BESTWAY ΓΙΑ ΟΔΗΓΙΕΣ.
E04	ΤΟ ΘΕΡΜΟΜΕΤΡΟ ΤΗΣ ΑΝΤΛΙΑΣ ΕΜΦΑΝΙΖΕΙ ΘΕΡΜΟΚΡΑΣΙΑ ΝΕΡΟΥ ΠΑΝΩ ΑΠΟ 50°C (122°F).	1. Η ΘΕΡΜΟΚΡΑΣΙΑ ΤΟΥ ΝΕΡΟΥ ΕΙΝΑΙ ΥΨΗΛΟΤΕΡΗ ΑΠΟ 50°C (122°F). 2. ΕΑΝ Η ΘΕΡΜΟΚΡΑΣΙΑ ΤΟΥ ΝΕΡΟΥ ΕΙΝΑΙ ΧΑΜΗΛΟΤΕΡΗ ΑΠΟ 45°C (113°F), ΤΟ ΘΕΡΜΟΜΕΤΡΟ ΤΗΣ ΑΝΤΛΙΑΣ ΕΧΕΙ ΧΑΛΑΣΕΙ.	1. ΤΟ ΣΡΑ ΔΕΝ ΣΧΕΔΙΑΣΤΗΚΕ ΓΙΑ ΛΕΙΤΟΥΡΓΙΑ ΜΕ ΘΕΡΜΟΚΡΑΣΙΕΣ ΝΕΡΟΥ ΥΨΗΛΟΤΕΡΕΣ ΑΠΟ 40°C (104°F). ΑΠΟΣΥΝΔΕΣΤΕ ΤΗΝ ΑΝΤΛΙΑ ΚΑΙ ΕΠΑΝΕΚΚΙΝΗΣΤΕ ΤΗΝ ΑΝΤΛΙΑ ΜΟΝΟ ΟΤΑΝ Η ΘΕΡΜΟΚΡΑΣΙΑ ΤΟΥ ΝΕΡΟΥ ΦΘΑΣΕΙ ΤΟΥΣ 38°C (100°F) Η ΧΑΜΗΛΟΤΕΡΑ. ΣΗΜΑΝΤΙΚΟ: ΠΡΙΝ ΕΠΑΝΕΚΚΙΝΗΣΤΕ ΤΗΝ ΑΝΤΛΙΑ, ΠΙΣΤΕΤΕ ΤΟ ΠΛΗΚΤΡΟ ΕΠΑΝΑΦΟΡΑΣ ΤΗΣ ΑΝΤΛΙΑΣ. 2. ΕΠΙΚΟΙΝΩΝΗΣΤΕ ΜΕ ΤΟ ΤΟΠΙΚΟ ΚΕΝΤΡΟ ΣΕΡΒΙΣ ΤΗΣ BESTWAY ΓΙΑ ΟΔΗΓΙΕΣ.
E05	ΟΙ ΣΥΝΔΕΣΕΙΣ ΘΕΡΜΟΜΕΤΡΟΥ ΤΗΣ ΑΝΤΛΙΑΣ ΕΧΟΥΝ ΠΡΟΒΛΗΜΑΤΑ.	1. ΟΙ ΣΥΝΔΕΣΜΟΙ ΘΕΡΜΟΜΕΤΡΟΥ ΤΗΣ ΑΝΤΛΙΑΣ ΔΕΝ ΛΕΙΤΟΥΡΓΟΥΝ ΣΩΣΤΑ. 2. ΤΟ ΘΕΡΜΟΜΕΤΡΟ ΤΗΣ ΑΝΤΛΙΑΣ ΕΧΕΙ ΧΑΛΑΣΕΙ.	ΕΠΙΚΟΙΝΩΝΗΣΤΕ ΜΕ ΤΟ ΤΟΠΙΚΟ ΚΕΝΤΡΟ ΣΕΡΒΙΣ ΤΗΣ BESTWAY ΓΙΑ ΟΔΗΓΙΕΣ.
E06	Ο ΧΕΙΡΟΚΙΝΗΤΟΣ ΘΕΡΜΙΚΟΣ ΔΙΑΚΟΠΤΗΣ ΕΧΕΙ ΚΑΠΟΙΟ ΠΡΟΒΛΗΜΑ.	Ο ΧΕΙΡΟΚΙΝΗΤΟΣ ΘΕΡΜΙΚΟΣ ΔΙΑΚΟΠΤΗΣ ΕΧΕΙ ΕΝΕΡΓΟΠΟΙΗΘΕΙ.	1. ΑΠΟΣΥΝΔΕΣΤΕ ΤΗΝ ΑΝΤΛΙΑ ΑΠΟ ΤΗΝ ΤΡΟΦΟΔΟΣΙΑ ΚΑΙ ΠΙΣΤΕΤΕ ΤΟ ΠΛΗΚΤΡΟ ΕΠΑΝΑΦΟΡΑΣ ΣΤΗ ΣΥΜΒΕΒΑΙΩΜΕΝΗ ΘΕΣΗ ΑΝΤΛΙΑ. 2. ΣΕ ΠΕΡΙΠΤΩΧΟΥ Ο ΣΥΝΑΓΕΡΜΟΣ ΠΑΡΑΜΕΙΝΕΙ, ΕΝΕΡΓΗΣΤΕ ΤΗΝ ΕΝΟΤΗΤΑ ΠΛΗΚΤΡΟ ΕΠΑΝΑΦΟΡΑΣ ΣΤΟ ΕΓΧΕΙΡΙΔΙΟ. 3. ΕΠΙΚΟΙΝΩΝΗΣΤΕ ΜΕ ΤΟ ΤΟΠΙΚΟ ΚΕΝΤΡΟ ΣΕΡΒΙΣ ΤΗΣ BESTWAY ΓΙΑ ΟΔΗΓΙΕΣ.
E09	104°C (219°F) ΒΛΑΒΗ ΤΗΣ ΑΣΦΑΛΕΙΑΣ.	ΕΧΕΙ ΑΠΟΣΥΝΔΕΘΕΙ Η ΑΣΦΑΛΕΙΑ.	ΕΠΙΚΟΙΝΩΝΗΣΤΕ ΜΕ ΤΟ ΤΟΠΙΚΟ ΚΕΝΤΡΟ ΣΕΡΒΙΣ ΤΗΣ BESTWAY ΓΙΑ ΟΔΗΓΙΕΣ.
E10	ΣΥΝΑΓΕΡΜΟΣ ΥΨΗΛΗΣ ΣΤΑΘΜΗΣ ΑΛΑΤΟΣ.	ΕΧΕΙ ΠΡΟΣΤΕΘΕΙ ΥΠΕΡΒΟΛΙΚΟ ΑΛΑΤΙ Η ΕΧΕΙ ΕΞΑΤΜΙΣΘΕΙ ΥΠΕΡΒΟΛΙΚΑ ΠΟΛΥ ΝΕΡΟ.	1. ΑΚΟΛΟΥΘΗΣΤΕ ΤΗ ΟΔΗΓΗΣ ΣΤΟ ΤΗΜΑ ΛΕΙΤΟΥΡΓΙΑΣ ΓΙΑ ΝΑ ΑΦΑΙΡΕΣΤΕ ΤΟ ΑΛΑΤΙ. 2. ΕΠΙΚΟΙΝΩΝΗΣΤΕ ΜΕ ΤΟ ΤΟΠΙΚΟ ΚΕΝΤΡΟ ΣΕΡΒΙΣ ΤΗΣ BESTWAY ΓΙΑ ΟΔΗΓΙΕΣ.
E11	ΣΥΝΑΓΕΡΜΟΣ ΧΑΜΗΛΗΣ ΣΤΑΘΜΗΣ ΑΛΑΤΟΣ.	ΔΕΝ ΥΠΑΡΧΕΙ ΑΡΚΕΤΟ ΑΛΑΤΙ ΓΙΑ ΑΠΟΛΥΜΑΝΣΗ.	1. ΑΚΟΛΟΥΘΗΣΤΕ ΤΗ ΟΔΗΓΗΣ ΣΤΟ ΤΗΜΑ ΛΕΙΤΟΥΡΓΙΑΣ ΓΙΑ ΝΑ ΠΡΟΣΘΕΤΕΙ ΑΛΑΤΙ ΣΤΟ ΝΕΡΟ. 2. ΕΠΙΚΟΙΝΩΝΗΣΤΕ ΜΕ ΤΟ ΤΟΠΙΚΟ ΚΕΝΤΡΟ ΣΕΡΒΙΣ ΤΗΣ BESTWAY ΓΙΑ ΟΔΗΓΙΕΣ.
E12	ΔΙΑΡΡΟΗ ΝΕΡΟΥ ΣΤΟ ΕΣΩΤΕΡΙΚΟ ΤΗΣ ΑΝΤΛΙΑΣ.	ΤΟ ΣΥΣΤΗΜΑ ΕΧΕΙ ΑΝΙΧΝΕΥΣΕΙ ΚΑΠΟΙΑ ΔΙΑΡΡΟΗ ΝΕΡΟΥ ΜΕΣΑ ΣΤΗΝ ΑΝΤΛΙΑ.	ΕΠΙΚΟΙΝΩΝΗΣΤΕ ΜΕ ΤΟ ΤΟΠΙΚΟ ΚΕΝΤΡΟ ΣΕΡΒΙΣ ΤΗΣ BESTWAY ΓΙΑ ΟΔΗΓΙΕΣ.
E13	ΓΡΑΜΜΗ ΣΗΜΑΤΟΣ ΑΠΟΣΥΝΔΕΔΕΜΕΝΗ.	Η ΓΡΑΜΜΗ ΣΗΜΑΤΟΣ ΜΕΤΑΞΥ ΤΟΥ ΠΙΝΑΚΑ ΕΛΕΓΧΟΥ ΚΑΙ ΤΟΥ ΗΛΕΚΤΡΙΚΟΥ ΠΙΝΑΚΑ ΔΕΝ ΕΙΝΑΙ ΚΑΛΩ ΣΥΝΔΕΔΕΜΕΝΗ.	ΕΠΙΚΟΙΝΩΝΗΣΤΕ ΜΕ ΤΟ ΤΟΠΙΚΟ ΚΕΝΤΡΟ ΣΕΡΒΙΣ ΤΗΣ BESTWAY ΓΙΑ ΟΔΗΓΙΕΣ.

ΣΥΝΤΗΡΗΣΗ

ΣΗΜΕΙΩΣΗ: ΤΟ SPA ΘΑ ΑΠΑΙΤΕΙ ΠΡΟΣΘΕΤΟ ΑΕΡΑ ΑΠΟ ΚΑΙΡΟ ΣΕ ΚΑΙΡΟ. ΟΙ ΜΕΤΑΒΟΛΕΣ ΤΗΣ ΘΕΡΜΟΚΡΑΣΙΑΣ ΑΠΟ ΤΗΝ ΗΜΕΡΑ ΣΤΗ ΝΥΧΤΑ ΘΑ ΜΕΤΑΒΑΛΟΥΝ ΤΗΝ ΠΙΕΣΗ ΣΤΟ SPA ΚΑΙ ΜΠΟΡΕΙ ΝΑ ΠΡΟΚΑΛΕΣΟΥΝ ΚΑΠΟΙΟ ΠΟΣΟΣΤΟ ΞΕΦΟΥΣΚΩΜΑΤΟΣ. ΠΑΡΑΚΑΛΟΥΜΕ ΑΚΟΛΟΥΘΗΣΤΕ ΤΙΣ ΟΔΗΓΙΕΣ ΣΥΝΑΡΜΟΛΟΓΗΣΗΣ ΚΑΙ ΑΠΟΣΤΡΑΓΓΙΣΤΕ ΤΟ SPA ΠΡΙΝ ΦΟΥΣΚΩΣΕΤΕ ΣΤΗΝ ΑΚΡΙΒΗ ΠΙΕΣΗ ΠΟΥ ΑΠΑΙΤΕΙΤΑΙ.

ΠΡΟΣΟΧΗ: ΠΡΕΠΕΙ ΝΑ ΕΞΑΣΦΑΛΙΣΤΕ ΟΤΙ Η ΑΝΤΛΙΑ ΕΙΝΑΙ ΑΠΟΣΥΝΔΕΜΕΝΗ ΑΠΟ ΤΗΝ ΤΡΟΦΟΔΟΣΙΑ ΠΡΙΝ ΞΕΚΙΝΗΣΕΤΕ ΤΗ ΣΥΝΤΗΡΗΣΗ ΤΟΥ SPA. ΣΥΝΤΗΡΗΣΗ ΣΤΟΙΧΕΙΟΥ ΦΙΛΤΡΟΥ

ΣΗΜΕΙΩΣΗ: ΓΙΑ ΝΑ ΕΞΑΣΦΑΛΙΣΤΕ ΟΤΙ ΤΟ ΝΕΡΟ ΤΟΥ SPA ΠΑΡΑΜΕΝΕΙ ΚΑΘΑΡΟ, ΕΛΕΓΧΤΕ ΚΑΙ ΚΑΘΑΡΙΖΤΕ ΚΑΘΗΜΕΡΙΝΑ ΤΑ ΣΤΟΙΧΕΙΑ ΦΙΛΤΡΟΥ, ΑΚΟΛΟΥΘΩΝΤΑΣ ΤΑ ΠΑΡΑΚΑΤΩ ΒΗΜΑΤΑ.

ΣΗΜΕΙΩΣΗ: ΣΥΝΙΣΤΟΥΜΕ ΤΗΝ ΑΛΛΑΓΗ ΤΩΝ ΣΤΟΙΧΕΙΩΝ ΦΙΛΤΡΟΥ ΚΑΘΕ ΕΒΔΟΜΑΔΑ. ΕΑΝ ΤΑ ΣΤΟΙΧΕΙΑ ΦΙΛΤΡΟΥ ΠΑΡΑΜΕΝΟΥΝ ΛΕΡΩΜΕΝΑ ΚΑΙ ΑΠΟΧΡΩΜΑΤΙΣΜΕΝΑ, ΘΑ ΠΡΕΠΕΙ ΝΑ ΑΝΤΙΚΑΤΑΣΤΑΘΟΥΝ.

ΣΥΝΤΗΡΗΣΗ ΝΕΡΟΥ

ΓΙΑ ΝΑ ΔΙΑΤΗΡΕΙΤΑΙ ΚΑΘΑΡΟ ΤΟ ΝΕΡΟ ΤΟΥ SPA, ΕΙΝΑΙ ΑΠΑΡΑΙΤΗΤΗ Η ΧΗΜΙΚΗ ΙΣΟΡΡΟΠΙΑ. Ο ΑΠΛΟΣ ΚΑΘΑΡΙΣΜΟΣ ΤΟΥ ΣΤΟΙΧΕΙΟΥ ΦΙΛΤΡΟΥ ΔΕΝ ΕΙΝΑΙ ΕΠΑΡΚΗΣ ΓΙΑ ΤΟ ΣΚΟΠΟ ΑΥΤΟ. ΠΑΡΑΚΑΛΟΥΜΕ ΑΝΑΤΡΕΣΤΕ ΣΕ ΟΠΟΙΑΔΗΠΟΤΕ ΑΠΟ ΤΙΣ ΠΑΡΑΚΑΤΩ ΣΥΣΤΑΣΕΙΣ.



1. ΧΡΗΣΙΜΟΠΟΙΕΙΤΕ ΤΑΚΤΙΚΑ ΤΟ ΕΝΣΩΜΑΤΩΜΕΝΟ ΣΥΣΤΗΜΑ ΧΛΩΡΙΩΤΗ ΑΛΑΤΟΣ. ΤΟ ΑΛΜΥΡΟ ΝΕΡΟ ΔΙΕΡΧΕΤΑΙ ΜΕΣΩ ΤΟΥ ΗΛΕΚΤΡΟΛΥΤΙΚΟΥ ΣΤΟΙΧΕΙΟΥ ΤΟΥ ΧΛΩΡΙΩΤΗ ΓΙΑ ΝΑ ΠΑΡΑΓΕΙ ΧΛΩΡΙΟ ΠΟΥ ΔΙΑΛΥΕΤΑΙ ΑΜΕΣΩΣ ΣΤΟ ΝΕΡΟ. ΤΟ ΧΛΩΡΙΟ ΑΡΧΙΖΕΙ ΑΜΕΣΩΣ ΝΑ ΚΑΤΑΣΤΡΕΦΕΙ ΤΑ ΒΑΚΤΗΡΙΑ, ΤΑ ΑΛΓΗ ΚΑΙ ΝΑ ΟΞΕΙΔΩΝΕΙ ΤΑ ΑΛΛΑ ΟΡΓΑΝΙΚΑ ΥΛΙΚΑ. ΤΗΝ ΠΡΩΤΗ ΦΟΡΑ ΠΟΥ ΘΑ ΤΟ ΧΡΗΣΙΜΟΠΟΙΗΣΕΤΕ, ΣΥΝΙΣΤΟΥΜΕ ΝΑ ΘΕΣΕΤΕ ΤΟ ΧΡΟΝΟ ΛΕΙΤΟΥΡΓΙΑΣ ΣΤΙΣ 8 ΩΡΕΣ ΜΕ ΦΡΕΣΚΟ ΝΕΡΟ ΚΑΙ ΝΑ ΧΡΗΣΙΜΟΠΟΙΗΣΕΤΕ ΜΙΑ ΤΑΙΝΙΑ ΔΟΚΙΜΗΣ ΓΙΑ ΝΑ ΕΞΑΣΦΑΛΙΣΤΕ ΟΤΙ ΤΟ ΕΛΕΥΘΕΡΟ ΧΛΩΡΙΟ ΕΙΝΑΙ ΜΕΤΑΞΥ 2-4ppm. ΑΥΞΗΣΤΕ ΤΟ ΧΡΟΝΟ ΛΕΙΤΟΥΡΓΙΑΣ ΕΑΝ Η ΘΕΡΜΟΚΡΑΣΙΑ ΤΟΥ ΝΕΡΟΥ ΕΙΝΑΙ ΥΨΗΛΗ. Η ΕΑΝ ΤΟ SPA ΕΙΝΑΙ ΑΚΑΛΥΠΤΟ. ΧΡΗΣΙΜΟΠΟΙΕΙΤΕ ΤΟ ΣΥΣΤΗΜΑ ΧΛΩΡΙΩΤΗ ΚΑΘΕ 24 ΩΡΕΣ ΕΑΝ ΤΟ SPA ΕΙΝΑΙ ΣΕ ΧΡΗΣΗ. Ο ΧΡΟΝΟΣ ΛΕΙΤΟΥΡΓΙΑΣ ΕΞΑΡΤΑΙ ΑΠΟ ΤΟ ΑΠΟΤΕΛΕΣΜΑ ΤΗΣ ΔΟΚΙΜΗΣ ΚΑΙ ΤΟ ΠΟΣΟ ΣΥΧΝΑ ΧΡΗΣΙΜΟΠΟΙΕΙΤΕ ΤΟ SPA.

ΣΗΜΕΙΩΣΗ: ΕΛΕΓΧΤΕ ΤΗ ΣΥΓΚΕΝΤΡΩΣΗ ΤΟΥ ΕΛΕΥΘΕΡΟΥ ΧΛΩΡΙΟΥ ΔΥΟ ΦΟΡΕΣ ΤΗΝ ΗΜΕΡΑ ΚΑΤΑ ΤΗΝ ΠΡΩΤΗ ΧΡΗΣΗ ΤΟΥ ΣΥΣΤΗΜΑΤΟΣ ΧΛΩΡΙΩΤΗ. ΟΤΑΝ Η ΣΥΓΚΕΝΤΡΩΣΗ ΕΛΕΥΘΕΡΟΥ ΧΛΩΡΙΟΥ ΣΤΑΘΕΡΟΠΟΙΗΘΕΙ, ΕΛΕΓΧΤΕ ΜΙΑ ΦΟΡΑ ΤΗΝ ΕΒΔΟΜΑΔΑ ΓΙΑ ΝΑ ΒΕΒΑΙΩΘΕΙΤΕ ΟΤΙ ΤΟ ΕΛΕΥΘΕΡΟ ΧΛΩΡΙΟ ΕΙΝΑΙ ΜΕΤΑΞΥ 2-4 ppm.

ΣΗΜΕΙΩΣΗ: ΜΗ ΧΡΗΣΙΜΟΠΟΙΕΙΤΕ ΤΟ SPA ΟΤΑΝ Η ΣΥΓΚΕΝΤΡΩΣΗ ΕΛΕΥΘΕΡΟΥ ΧΛΩΡΙΟΥ ΕΙΝΑΙ ΥΨΗΛΟΤΕΡΗ ΑΠΟ 4 ppm.

2. ΧΡΗΣΙΜΟΠΟΙΕΙΤΕ ΧΗΜΙΚΑ ΠΙΣΙΝΑΣ ΓΙΑ ΤΗ ΔΙΑΤΗΡΗΣΗ ΤΗΣ ΧΗΜΕΙΑΣ ΤΟΥ ΝΕΡΟΥ ΚΑΙ ΤΑΜΠΛΕΤΣ ΧΛΩΡΙΟΥ Η ΒΡΩΜΙΟΥ (ΜΗΝ ΧΡΗΣΙΜΟΠΟΙΕΙΤΕ ΚΟΚΚΟΥΣ) ΜΕ ΤΟ ΧΗΜΙΚΟ ΠΛΩΤΗΡΑ.

ΧΡΗΣΗ ΧΗΜΙΚΩΝ ΤΑΜΠΛΕΤΩΝ (ΔΕΝ ΠΕΡΙΛΑΜΒΑΝΟΝΤΑΙ)

(ΑΝΑΦΟΡΑ: Trichlorinated isocyanuric acid 3-6g)



ΧΡΗΣΗ ΧΗΜΙΚΟΥ ΥΓΡΟΥ (ΔΕΝ ΠΕΡΙΛΑΜΒΑΝΕΤΑΙ)

(ΑΝΑΤΡΕΣΤΕ ΣΤΙΣ ΟΔΗΓΙΕΣ ΤΩΝ ΧΗΜΙΚΩΝ ΥΓΡΩΝ ΠΟΥ ΑΓΟΡΑΣΑΤΕ)



ΘΑ ΠΡΕΠΕΙ ΝΑ ΑΛΛΑΖΕΤΕ ΤΟ ΝΕΡΟ ΠΕΡΙΠΟΥ ΚΑΘΕ 3 ΗΜΕΡΕΣ Ή ΠΕΡΙΣΣΟΤΕΡΟ ΜΕ ΚΑΤΑΛΛΗΛΗ ΧΗΜΙΚΗ ΣΥΝΤΗΡΗΣΗ. Η ΠΟΙΟΤΗΤΑ ΤΟΥ ΝΕΡΟΥ ΕΠΗΡΕΑΖΕΤΑΙ ΑΠΟ ΤΗ ΣΥΧΝΟΤΗΤΑ ΤΗΣ ΧΡΗΣΗΣ, ΤΑ ΑΤΟΜΑ ΠΟΥ ΧΡΗΣΙΜΟΠΟΙΟΥΝ ΤΟ SPA ΚΑΙ ΤΗ ΓΕΝΙΚΗ ΣΥΝΤΗΡΗΣΗ.

ΣΗΜΕΙΩΣΗ: ΣΥΝΙΣΤΟΥΜΕ ΝΑ ΚΑΝΕΤΕ ΕΝΑ ΝΤΟΥΣ ΠΡΙΝ ΑΠΟ ΤΗ ΧΡΗΣΗ ΤΟΥ LAU-Z-SPA. ΚΑΛΥΝΤΙΚΑ ΠΡΟΪΟΝΤΑ, ΛΟΣΙΟΝ ΚΑΙ ΑΛΛΑ ΥΠΟΛΕΙΜΜΑΤΑ ΣΤΟ ΔΕΡΜΑ ΜΠΟΡΕΙ ΓΡΗΓΟΡΑ ΝΑ ΥΠΟΒΑΘΜΙΣΟΥΝ ΤΗΝ ΠΟΙΟΤΗΤΑ ΤΟΥ ΝΕΡΟΥ.

ΣΗΜΕΙΩΣΗ: ΑΦΑΙΡΕΣΤΕ ΤΟ ΧΗΜΙΚΟ ΠΛΩΤΗΡΑ ΑΠΟ ΤΟ SPA, ΟΤΑΝ ΑΥΤΟ ΕΙΝΑΙ ΣΕ ΧΡΗΣΗ.

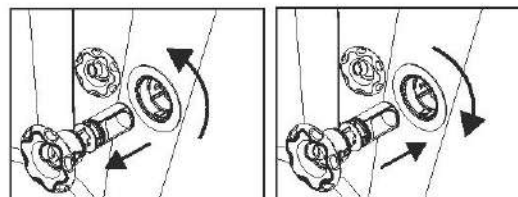
ΣΗΜΑΝΤΙΚΟ: ΜΕΤΑ ΤΗΝ ΕΚΤΕΛΕΣΗ ΤΗΣ ΧΗΜΙΚΗΣ ΣΥΝΤΗΡΗΣΗΣ ΚΑΙ ΠΡΙΝ ΤΗ ΧΡΗΣΗ ΤΟΥ SPA, ΧΡΗΣΙΜΟΠΟΙΗΣΤΕ ΕΝΑ ΚΙΤ ΔΟΚΙΜΗΣ (ΔΕΝ ΠΕΡΙΛΑΜΒΑΝΕΤΑΙ) ΓΙΑ ΝΑ ΔΟΚΙΜΑΣΕΤΕ ΤΗ ΧΗΜΕΙΑ ΤΟΥ ΝΕΡΟΥ. ΣΥΝΙΣΤΑΤΑΙ ΝΑ ΔΙΑΤΗΡΕΙΤΑΙ ΤΟ ΝΕΡΟ ΣΥΜΦΩΝΑ ΜΕ ΤΩΝ ΠΑΡΑΚΑΤΩ ΠΙΝΑΚΑ.

pH	ΣΥΝΟΛΙΚΗ ΑΛΚΑΛΙΚΟΤΗΤΑ	ΕΛΕΥΘΕΡΟ ΧΛΩΡΙΟ
7,4-7,6	80-120 ppm	2-4 ppm

ΣΗΜΕΙΩΣΗ: ΣΗΜΕΙΣ ΠΟΥ ΠΡΟΚΥΠΤΟΥΝ ΑΠΟ ΧΗΜΙΚΗ ΑΝΙΣΟΡΡΟΠΙΑ ΔΕΝ ΚΑΛΥΠΤΟΝΤΑΙ ΑΠΟ ΤΗΝ ΕΓΓΥΗΣΗ. ΤΑ ΧΗΜΙΚΑ ΠΙΣΙΝΑΣ ΕΙΝΑΙ ΠΙΘΑΝΟΝ ΤΟΞΙΚΑ ΚΑΙ ΘΑ ΠΡΕΠΕΙ ΝΑ ΧΕΙΡΙΖΟΝΤΑΙ ΜΕ ΠΡΟΣΟΧΗ. ΥΠΑΡΧΟΥΝ ΣΟΒΑΡΟΙ ΚΙΝΔΥΝΟΙ ΓΙΑ ΤΗΝ ΥΓΕΙΑ ΑΠΟ ΧΗΜΙΚΟΥΣ ΑΤΟΜΟΥΣ ΚΑΙ ΤΗ ΛΑΝΘΑΣΜΕΝΗ ΕΠΙΣΗΜΑΝΣΗ ΚΑΙ ΑΠΟΗΚΕΥΣΗ ΤΩΝ ΔΟΧΕΙΩΝ ΤΩΝ ΧΗΜΙΚΩΝ. ΠΑΡΑΚΑΛΟΥΜΕ ΝΑ ΣΥΜΒΟΥΛΕΥΘΕΙΤΕ ΤΟ ΤΟΠΙΚΟ ΚΑΤΑΣΤΗΜΑ ΠΩΛΗΣΗΣ ΥΛΙΚΩΝ ΠΙΣΙΝΑΣ ΓΙΑ ΠΕΡΙΣΣΟΤΕΡΕΣ ΠΛΗΡΟΦΟΡΙΕΣ ΣΧΕΤΙΚΑ ΜΕ ΤΗ ΧΗΜΙΚΗ ΣΥΝΤΗΡΗΣΗ. ΔΩΣΤΕ ΠΡΟΣΟΧΗ ΣΤΙΣ ΟΔΗΓΙΕΣ ΤΟΥ ΚΑΤΑΣΚΕΥΑΣΤΗ ΤΩΝ ΧΗΜΙΚΩΝ. ΣΗΜΕΙΣ ΣΤΟ SPA ΠΟΥ ΠΡΟΚΥΠΤΟΥΝ ΑΠΟ ΛΑΝΘΑΣΜΕΝΗ ΧΡΗΣΗ ΤΩΝ ΧΗΜΙΚΩΝ ΚΑΙ ΚΑΚΗ ΔΙΑΧΕΙΡΙΣΗ ΤΟΥ ΝΕΡΟΥ ΤΟΥ SPA ΔΕΝ ΚΑΛΥΠΤΟΝΤΑΙ ΑΠΟ ΤΗΝ ΕΓΓΥΗΣΗ.

ΣΥΝΤΗΡΗΣΗ ΑΚΡΟΦΥΣΙΩΝ

1. ΠΕΡΙΣΤΡΕΨΤΕ ΜΕΧΡΙ ΝΑ ΑΚΟΥΣΤΕΙ ΕΝΑ "ΚΛΙΚ" ΚΑΙ ΤΡΑΒΗΣΤΕ ΠΡΟΣ ΤΑ ΕΞΩ ΤΟ ΑΚΡΟΦΥΣΙΟ ΓΙΑ ΝΑ ΚΑΘΑΡΙΣΕΤΕ ΤΑ ΥΠΟΛΕΙΜΜΑΤΑ.
2. ΕΙΣΑΓΕΤΕ ΚΑΙ ΠΕΡΙΣΤΡΕΨΤΕ ΤΟ ΔΕΞΙΟΣΤΡΟΦΑ ΓΙΑ ΝΑ ΤΟ ΕΠΑΝΑΤΟΠΟΘΕΤΗΣΕΤΕ.



ΣΥΝΤΗΡΗΣΗ ΣΥΣΤΗΜΑΤΟΣ ΧΛΩΡΙΩΤΗ ΑΛΑΤΟΣ

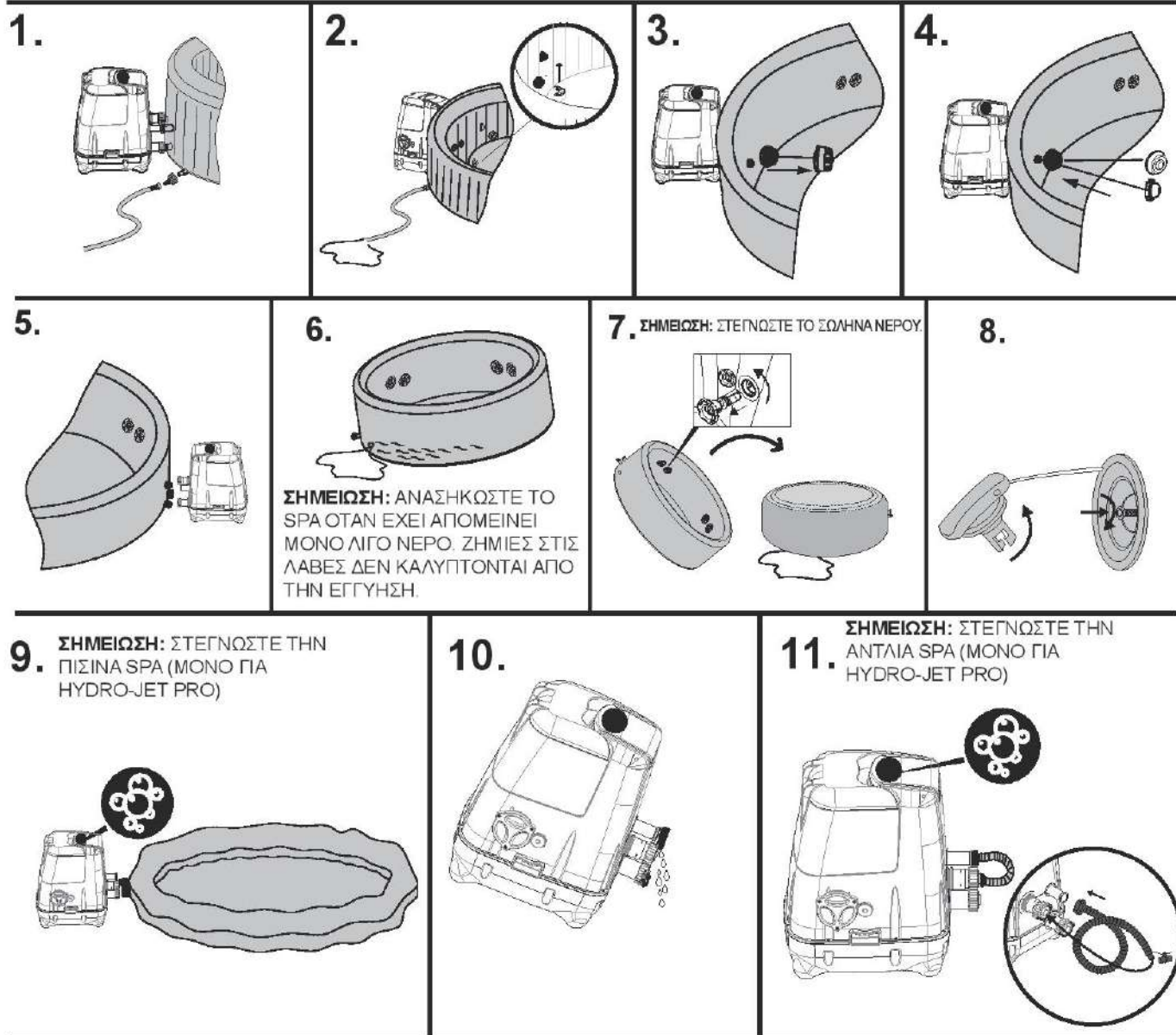
1. (ΔΕΝ ΠΕΡΙΛΑΜΒΑΝΕΤΑΙ)
- 2.
- 3.
- 4.

ΣΗΜΕΙΩΣΗ: ΕΑΝ ΠΑΡΑΜΕΝΟΥΝ ΕΠΙΚΑΘΙΣΕΙΣ ΜΕΤΑ ΤΟ ΠΛΥΣΙΜΟ, ΤΟΠΟΘΕΤΗΣΤΕ ΤΟ ΗΛΕΚΤΡΟΛΥΤΙΚΟ ΣΤΟΙΧΕΙΟ ΣΕ ΕΝΑ ΔΟΧΕΙΟ, ΠΡΟΣΘΕΣΤΕ ΞΥΔΙ ΚΟΥΖΙΝΑΣ ΣΤΟ ΔΟΧΕΙΟ ΚΑΙ ΜΟΥΣΚΕΨΤΕ ΤΙΣ ΠΛΑΚΕΣ ΤΙΤΑΝΙΟΥ ΓΙΑ ΠΕΡΙΠΟΥ 4 ΩΡΕΣ ΚΑΙ ΣΤΗ ΣΥΝΕΧΕΙΑ ΠΛΥΝΕΤΕ ΤΙΣ ΞΑΝΑ.

ΕΠΑΝΑΛΑΒΕΤΕ ΤΗ ΔΙΑΔΙΚΑΣΙΑ ΕΑΝ ΧΡΕΙΑΖΕΤΑΙ.

ΑΠΟΣΤΡΑΓΓΙΣΗ ΤΟΥ SPA

ΣΗΜΕΙΩΣΗ: ΤΑ ΣΧΕΔΙΑ ΕΙΝΑΙ ΜΟΝΟ ΓΙΑ ΛΟΓΟΥΣ ΑΠΕΙΚΟΝΙΣΗΣ. ΜΠΟΡΕΙ ΝΑ ΜΗΝ ΑΝΤΑΠΟΚΡΙΝΟΝΤΑΙ ΣΤΟ ΠΡΑΓΜΑΤΙΚΟ ΠΡΟΪΟΝ. ΔΕΝ ΕΙΝΑΙ ΥΠΟ ΚΛΙΜΑΚΑ.



ΚΑΘΑΡΙΣΜΟΣ ΤΟΥ SPA

ΚΑΤΑΛΟΙΠΑ ΑΠΟΡΡΥΠΑΝΤΙΚΩΝ ΚΑΙ ΔΙΑΛΥΜΕΝΑ ΣΤΕΡΕΑ ΑΠΟ ΜΑΓΙΟ ΚΑΙ ΧΗΜΙΚΑ ΜΠΟΡΕΙ ΝΑ ΣΥΣΣΩΡΕΥΤΟΥΝ ΣΤΑ ΤΟΙΧΩΜΑΤΑ ΤΟΥ SPA. ΧΡΗΣΙΜΟΠΟΙΗΣΤΕ ΣΑΠΟΥΝΙ ΚΑΙ ΝΕΡΟ ΓΙΑ ΝΑ ΚΑΘΑΡΙΣΕΤΕ ΤΑ ΤΟΙΧΩΜΑΤΑ ΚΑΙ ΞΕΠΛΥΝΕΤΕ ΚΑΛΑ.

ΣΗΜΕΙΩΣΗ: ΜΗ ΧΡΗΣΙΜΟΠΟΙΕΙΤΕ ΣΚΛΗΡΕΣ ΒΟΥΡΤΣΕΣ Ή ΑΠΟΞΕΣΤΙΚΑ ΚΑΘΑΡΙΣΤΙΚΑ.

ΕΠΙΣΚΕΥΗ SPA

ΓΙΑ ΤΟ ΦΟΥΣΚΩΤΟ ΚΑΛΥΜΜΑ SPA
ΕΑΝ ΤΟ SPA ΣΧΙΣΤΕΙ Η ΤΡΥΠΗΣΕΙ, ΧΡΗΣΙΜΟΠΟΙΗΣΤΕ ΤΟ ΠΑΡΕΧΟΜΕΝΟ ΕΠΙΡΑΜΜΑ ΕΠΙΣΚΕΥΗΣ ΒΑΡΕΩΣ ΤΥΠΟΥ.

1. ΚΑΘΑΡΙΣΤΕ ΤΗΝ ΠΕΡΙΟΧΗ ΠΟΥ ΠΡΟΚΕΙΤΑΙ ΝΑ ΕΠΙΣΚΕΥΑΣΤΕ.
2. ΑΦΑΙΡΕΣΤΕ ΠΡΟΣΕΚΤΙΚΑ ΤΟ ΕΠΙΡΑΜΜΑ.
3. ΠΙΕΣΤΕ ΤΟ ΕΠΙΡΑΜΜΑ ΠΑΝΩ ΣΤΗΝ ΠΕΡΙΟΧΗ ΠΟΥ ΠΡΟΚΕΙΤΑΙ ΝΑ ΕΠΙΣΚΕΥΑΣΤΕ.
4. ΠΕΡΙΜΕΝΕΤΕ 30 ΛΕΠΤΑ ΠΡΙΝ ΦΟΥΣΚΩΣΤΕ.

ΓΙΑ ΤΗΝ ΕΠΕΝΔΥΣΗ SPA

ΕΑΝ ΤΟ SPA ΣΚΙΣΤΕΙ Η ΤΡΥΠΗΣΕΙ, ΧΡΗΣΙΜΟΠΟΙΗΣΤΕ ΤΟ ΠΑΡΕΧΟΜΕΝΟ ΕΠΙΡΑΜΜΑ ΕΠΙΣΚΕΥΗΣ PVC ΚΑΙ ΚΟΛΛΑ (ΔΕΝ ΠΕΡΙΛΑΜΒΑΝΕΤΑΙ) ΑΚΟΛΟΥΘΩΝΤΑΣ ΤΑ ΠΑΡΑΚΑΤΟ ΒΗΜΑΤΑ:

1. ΚΑΘΑΡΙΣΤΕ ΚΑΙ ΣΤΕΓΝΩΣΤΕ ΤΗΝ ΠΕΡΙΟΧΗ ΠΟΥ ΠΡΟΚΕΙΤΑΙ ΝΑ ΕΠΙΣΚΕΥΑΣΤΕ.
2. ΚΟΥΨΤΕ ΤΟ ΠΑΡΕΧΟΜΕΝΟ ΕΠΙΡΑΜΜΑ PVC ΣΤΟ ΚΑΤΑΛΛΗΛΟ ΜΕΓΕΘΟΣ.
3. ΧΡΗΣΙΜΟΠΟΙΗΣΤΕ ΤΗΝ ΚΟΛΛΑ (ΔΕΝ ΠΕΡΙΛΑΜΒΑΝΕΤΑΙ) ΠΑ ΤΗΝ ΕΠΙΚΛΥΨΗ ΤΗΣ ΜΙΑΣ ΠΛΕΥΡΑΣ ΤΟΥ ΕΠΙΡΑΜΜΑΤΟΣ ΠΟΥ ΜΟΛΙΣ ΚΟΥΨΤΕ. ΒΕΒΑΙΩΘΕΙΤΕ ΟΤΙ Η ΚΟΛΛΑ ΕΧΕΙ ΚΑΤΑΝΕΜΗΘΕΙ ΟΜΟΙΟΜΟΡΦΑ.
4. ΠΕΡΙΜΕΝΕΤΕ 30 ΔΕΥΤΕΡΟΛΕΠΤΑ ΚΑΙ ΣΤΗ ΣΥΝΕΧΕΙΑ ΤΟΠΟΘΕΤΗΣΤΕ ΤΟ ΚΟΜΜΕΝΟ ΕΠΙΡΑΜΜΑ ΜΕ ΤΗΝ ΚΟΛΛΑ ΠΑΝΩ ΑΠΟ ΤΗΝ ΚΑΤΕΣΤΡΑΜΜΕΝΗ ΠΕΡΙΟΧΗ.
5. ΑΠΟΜΑΚΡΥΝΕΤΕ ΜΕ ΛΕΙΑΝΣΗ ΦΥΣΑΛΙΔΕΣ ΑΕΡΑ ΠΟΥ ΤΥΧΟΝ ΕΧΟΥΝ ΕΓΚΛΩΒΙΣΤΕΙ ΑΠΟ ΚΑΤΩ ΚΑΙ ΠΙΕΣΤΕ ΓΕΡΑ ΓΙΑ ΔΥΟ ΛΕΠΤΑ.
6. ΠΕΡΙΜΕΝΕΤΕ 30 ΛΕΠΤΑ ΠΡΙΝ ΦΟΥΣΚΩΣΤΕ.
7. ΤΟ ΠΡΟΪΟΝ ΕΙΝΑΙ ΚΑΙ ΠΑΛΙ ΕΤΟΙΜΟ ΓΙΑ ΧΡΗΣΗ. ΕΠΑΝΑΛΑΒΕΤΕ ΤΗ ΔΙΑΔΙΚΑΣΙΑ ΕΑΝ ΤΥΧΟΝ ΣΗΜΕΙΩΘΟΥΝ ΠΕΡΑΙΤΕΡΩ ΔΙΑΡΡΕΣΕΙΣ.

ΑΠΟΘΗΚΕΥΣΗ LAY-Z-SPA



ΠΡΙΝ ΤΗΝ ΑΠΟΘΗΚΕΥΣΗ, ΒΕΒΑΙΩΘΕΙΤΕ ΟΤΙ ΤΟ SPA ΚΑΙ Η ΑΝΤΛΙΑ ΕΙΝΑΙ ΕΝΤΕΛΩΣ ΣΤΕΓΝΑ. ΑΥΤΟ ΕΙΝΑΙ ΑΠΑΡΑΙΤΗΤΟ ΓΙΑ ΝΑ ΠΑΡΑΤΕΙΝΕΤΕ ΤΗ ΔΙΑΡΚΕΙΑ ΖΩΗΣ ΤΟΥ SPA. ΣΥΝΙΣΤΟΥΜΕ ΝΑ ΧΡΗΣΙΜΟΠΟΙΕΙΤΕ ΤΗΝ ΑΝΤΛΙΑ ΓΙΑ ΝΑ ΣΤΕΓΝΩΣΕΤΕ ΜΕ ΑΕΡΑ ΤΟ SPA, ΤΗΝ ΑΝΤΛΙΑ ΚΑΙ ΤΙΣ ΣΩΛΗΝΩΣΕΙΣ. ΑΦΑΙΡΕΣΤΕ ΤΑ ΣΕΤ ΦΙΛΤΡΩΝ ΚΑΙ ΑΠΟΡΡΙΨΤΕ ΤΑ ΜΕΤΑΧΕΙΡΙΖΟΜΕΝΑ ΣΤΟΙΧΕΙΑ ΦΙΛΤΡΟΥ. ΕΠΑΝΑΤΟΠΟΘΕΤΗΣΤΕ ΤΙΣ ΔΥΟ ΤΑΠΕΣ ΕΠΑΝΩ ΣΤΙΣ ΒΑΛΒΙΔΕΣ ΕΙΣΟΔΟΥ ΚΑΙ ΕΞΟΔΟΥ ΤΟΥ SPA. ΣΥΝΙΣΤΑΤΑΙ ΝΑ ΑΠΟΘΗΚΕΥΣΤΕ ΤΟ SPA ΣΤΗΝ ΑΡΧΙΚΗ ΤΟΥ ΣΥΣΚΕΥΑΣΙΑ ΣΕ ΕΝΑ ΞΕΣΤΟ ΚΑΙ ΞΗΡΟ ΜΕΡΟΣ.

ΣΗΜΕΙΩΣΗ: ΤΟ ΠΛΑΣΤΙΚΟ ΠΙΝΕΤΑΙ ΕΥΘΡΑΥΣΤΟ ΚΑΙ ΕΥΛΑΔΩΤΟ ΣΕ ΣΠΑΣΙΜΟ ΟΤΑΝ ΕΚΤΙΘΕΤΑΙ ΣΕ ΘΕΡΜΟΚΡΑΣΙΕΣ ΥΠΟ ΤΟΥ ΜΗΔΕΝΟΣ. ΤΟ ΠΑΓΩΜΑ ΜΠΟΡΕΙ ΝΑ ΠΡΟΚΑΛΕΣΕΙ ΣΟΒΑΡΗ ΖΗΜΙΑ ΣΤΟ SPA. Η ΑΚΑΤΑΛΛΗΛΗ ΠΡΟΕΤΟΙΜΑΣΙΑ ΤΟΥ SPA ΓΙΑ ΤΟ ΧΕΙΜΩΝΑ ΜΠΟΡΕΙ ΝΑ ΑΚΥΡΩΣΕΙ ΤΗΝ ΕΓΓΥΗΣΗ.



ΣΗΜΑΣΙΑ ΤΟΥ ΣΥΜΒΟΛΟΥ ΔΙΑΓΡΑΜΜΕΝΟΥ ΚΑΔΟΥ ΑΠΟΡΡΙΜΜΑΤΩΝ: ΜΗΝ ΑΠΟΡΡΙΠΤΕΤΕ ΤΙΣ ΗΛΕΚΤΡΙΚΕΣ ΣΥΣΚΕΥΕΣ ΩΣ ΑΤΑΞΙΝΟΜΗΤΑ ΑΣΤΙΚΑ ΑΠΟΒΛΗΤΑ. ΧΡΗΣΙΜΟΠΟΙΗΣΤΕ ΞΕΧΩΡΙΣΤΕΣ ΕΓΚΑΤΑΣΤΑΣΕΙΣ ΣΥΛΛΟΓΗΣ. ΕΠΙΚΟΙΝΩΝΗΣΤΕ ΜΕ ΤΗΝ ΤΟΠΙΚΗ ΣΑΣ ΑΥΤΟΔΙΟΙΚΗΣΗ ΠΑ ΠΛΗΡΟΦΟΡΙΕΣ ΣΧΕΤΙΚΑ ΜΕ ΤΑ ΔΙΑΘΕΣΙΜΑ ΣΥΣΤΗΜΑΤΑ ΣΥΛΛΟΓΗΣ. ΕΑΝ ΟΙ ΗΛΕΚΤΡΙΚΕΣ ΣΥΣΚΕΥΕΣ ΑΠΟΡΡΙΠΤΟΝΤΑΙ ΣΕ ΧΩΡΟΥΣ ΥΓΙΟΝΟΜΙΚΗΣ ΤΑΦΗΣ Η ΧΩΜΑΤΕΡΕΣ, ΜΠΟΡΕΙ ΝΑ ΔΙΑΡΡΕΥΣΟΥΝ ΕΠΙΚΙΝΔΥΝΕΣ ΟΥΣΙΕΣ ΣΤΑ ΥΠΟΓΕΙΑ ΥΔΑΤΑ ΚΑΙ ΝΑ ΕΙΣΕΛΘΟΥΝ ΣΤΗΝ ΤΡΟΦΙΚΗ ΑΛΥΣΙΔΑ, ΒΛΑΠΤΟΝΤΑΣ ΤΗΝ ΥΓΕΙΑ ΚΑΙ ΤΗΝ ΕΥΕΣΙΑ ΣΑΣ. ΚΑΤΑ ΤΗΝ ΑΝΤΙΚΑΤΑΣΤΑΣΗ ΠΑΛΙΑΩΝ ΣΥΣΚΕΥΩΝ ΜΕ ΝΕΕΣ, ΤΟ ΚΑΤΑΣΤΗΜΑ ΠΩΛΗΣΗΣ ΕΧΕΙ ΝΟΜΙΚΗ ΥΠΟΧΡΕΩΣΗ ΝΑ ΠΑΡΑΛΑΒΕΙ ΤΗΝ ΠΑΛΙΑ ΣΥΣΚΕΥΗ ΣΑΣ ΓΙΑ ΑΠΟΡΡΙΨΗ ΤΟΥΛΑΧΙΣΤΟΝ ΔΩΡΕΑΝ.

ΑΝΤΙΜΕΤΩΠΙΣΗ ΠΡΟΒΛΗΜΑΤΩΝ Η BESTWAY ΠΡΟΣΠΑΘΕΙ ΝΑ ΠΑΡΕΧΕΙ ΤΑ ΠΛΕΟΝ ΑΠΡΟΒΛΗΜΑΤΙΣΤΑ SPA ΣΤΗΝ ΑΓΟΡΑ. ΕΑΝ ΑΝΤΙΜΕΤΩΠΙΣΕΤΕ ΟΠΟΙΑΔΗΠΟΤΕ ΠΡΟΒΛΗΜΑΤΑ, ΜΗΝ ΔΙΣΤΑΖΕΤΕ ΝΑ ΕΠΙΚΟΙΝΩΝΗΣΕΤΕ ΜΕ ΤΗΝ BESTWAY Ή ΤΟΝ ΕΞΟΥΣΙΟΔΟΤΗΜΕΝΟ ΑΝΤΙΠΡΟΣΩΠΟ ΣΑΣ. ΠΑΡΑΚΑΤΩ ΥΠΑΡΧΟΥΝ ΜΕΡΙΚΕΣ ΧΡΗΣΙΜΕΣ ΣΥΜΒΟΥΛΕΣ ΓΙΑ ΝΑ ΣΑΣ ΒΟΗΘΗΣΟΥΝ ΝΑ ΔΙΑΓΝΩΣΕΤΕ ΚΑΙ ΝΑ ΔΙΟΡΘΩΣΕΤΕ ΚΑΠΟΙΕΣ ΣΥΝΗΘΙΣΜΕΝΕΣ ΑΙΤΙΕΣ ΠΡΟΒΛΗΜΑΤΩΝ.

ΠΡΟΒΛΗΜΑΤΑ	ΠΙΘΑΝΑ ΑΙΤΙΑ	ΛΥΣΕΙΣ
Η ΑΝΤΛΙΑ ΔΕΝ ΛΕΙΤΟΥΡΓΕΙ	- ΔΙΑΚΟΠΗ ΤΡΟΦΟΔΟΣΙΑΣ - ΧΑΛΑΣΜΕΝΑ ΚΥΚΛΩΜΑΤΑ ΤΡΟΦΟΔΟΣΙΑΣ.	- ΕΛΕΓΞΤΕ ΤΗΝ ΠΗΓΗ ΤΡΟΦΟΔΟΣΙΑΣ - ΕΠΙΚΟΙΝΩΝΗΣΤΕ ΜΕ ΤΟ ΤΟΠΙΚΟ ΚΕΝΤΡΟ ΣΕΡΒΙΣ ΤΗΣ BESTWAY ΓΙΑ ΟΔΗΓΙΕΣ
Η ΑΝΤΛΙΑ ΔΕΝ ΘΕΡΜΑΙΝΕΤΑΙ ΣΩΣΤΑ	- Η ΘΕΡΜΟΚΡΑΣΙΑ ΕΧΕΙ ΡΥΘΜΙΣΤΕΙ ΠΟΛΥ ΧΑΜΗΛΑ - ΑΚΑΘΑΡΤΟ ΣΤΟΙΧΕΙΟ ΦΙΛΤΡΟΥ - ΕΝΕΡΓΟΠΟΙΗΣΗ ΘΕΡΜΙΚΟΥ ΔΙΑΚΟΠΤΗ - ΑΣΤΟΧΙΑ ΘΕΡΜΑΝΤΙΚΟΥ ΣΤΟΙΧΕΙΟΥ	- ΡΥΘΜΙΣΤΕ ΤΟ ΣΥΣΤΗΜΑ ΘΕΡΜΑΝΣΗΣ ΣΕ ΥΨΗΛΟΤΕΡΗ ΘΕΡΜΟΚΡΑΣΙΑ (ΑΝΑΤΡΕΞΤΕ ΣΤΗΝ ΕΝΟΤΗΤΑ ΛΕΙΤΟΥΡΓΙΑ ΤΗΣ ΑΝΤΛΙΑΣ) - ΚΑΘΑΡΙΣΤΕ/ΑΝΤΙΚΑΤΑΣΤΗΣΤΕ ΤΟ ΣΤΟΙΧΕΙΟ ΦΙΛΤΡΟΥ (ΑΝΑΤΡΕΞΤΕ ΣΤΗΝ ΕΝΟΤΗΤΑ ΚΑΘΑΡΙΣΜΟΣ ΚΑΙ ΑΝΤΙΚΑΤΑΣΤΑΣΗ ΤΟΥ ΣΤΟΙΧΕΙΟΥ ΦΙΛΤΡΟΥ) - ΠΙΕΣΤΕ ΤΟ ΠΛΗΚΤΡΟ ΕΠΑΝΑΦΟΡΑΣ ΣΤΗΝ ΑΝΤΛΙΑ (ΑΝΑΤΡΕΞΤΕ ΣΤΗΝ ΕΝΟΤΗΤΑ ΛΕΙΤΟΥΡΓΙΑΣ ΤΗΣ ΑΝΤΛΙΑΣ) - ΕΠΙΚΟΙΝΩΝΗΣΤΕ ΜΕ ΤΟ ΤΟΠΙΚΟ ΚΕΝΤΡΟ ΣΕΡΒΙΣ ΤΗΣ BESTWAY ΓΙΑ ΟΔΗΓΙΕΣ
ΤΟ ΣΥΣΤΗΜΑ LAY-Z-MASSAGE ΔΕΝ ΛΕΙΤΟΥΡΓΕΙ	- Η ΑΝΤΛΙΑ ΑΕΡΟΣ ΥΠΕΡΘΕΡΜΑΙΝΕΤΑΙ - ΤΟ ΣΥΣΤΗΜΑ LAY-Z-MASSAGE ΣΤΑΜΑΤΑ ΑΥΤΟΜΑΤΑ - ΕΙΝΑΙ ΧΑΛΑΣΜΕΝΗ Η ΑΝΤΛΙΑ ΑΕΡΟΣ	- ΑΠΟΣΥΝΔΕΣΤΕ ΤΗΝ ΑΝΤΛΙΑ ΚΑΙ ΠΕΡΙΜΕΝΕΤΕ ΔΥΟ ΩΡΕΣ ΜΕΧΡΙ ΝΑ ΚΡΥΩΣΕΙ Η ΑΝΤΛΙΑ. ΕΙΣΑΓΕΤΕ ΤΟ ΒΥΣΜΑ ΚΑΙ ΠΙΕΣΤΕ ΤΟ ΠΛΗΚΤΡΟ ΣΥΣΤΗΜΑΤΟΣ LAY-Z-MASSAGE - ΠΙΕΣΤΕ ΤΟ ΠΛΗΚΤΡΟ ΣΥΣΤΗΜΑΤΟΣ LAY-Z-MASSAGE ΓΙΑ ΕΠΑΝΕΝΕΡΓΟΠΟΙΗΣΗ - ΕΠΙΚΟΙΝΩΝΗΣΤΕ ΜΕ ΤΟ ΤΟΠΙΚΟ ΚΕΝΤΡΟ ΣΕΡΒΙΣ ΤΗΣ BESTWAY ΓΙΑ ΟΔΗΓΙΕΣ
ΟΙ ΠΡΟΣΑΡΜΟΓΕΙΣ ΤΗΣ ΑΝΤΛΙΑΣ ΔΕΝ ΕΙΝΑΙ ΣΤΟ ΙΔΙΟ ΕΠΙΠΕΔΟ ΜΕ ΤΟΥΣ ΠΡΟΣΑΡΜΟΓΕΙΣ ΤΟΥ SPA	- ΕΝΑ ΑΠΟ ΤΑ ΧΑΡΑΚΤΗΡΙΣΤΙΚΑ ΤΟΥ PVC ΕΙΝΑΙ ΟΤΙ ΑΛΛΑΖΕΙ ΣΧΗΜΑ, ΚΑΤΙ ΤΟ ΟΠΟΙΟ ΕΙΝΑΙ ΦΥΣΙΟΛΟΓΙΚΟ	- ΑΝΥΨΩΣΤΕ ΤΗΝ ΑΝΤΛΙΑ ΜΕ ΞΥΛΑ Ή ΚΑΠΟΙΟ ΑΛΛΟ ΤΥΠΟ ΜΟΝΩΤΙΚΟΥ ΥΛΙΚΟΥ ΓΙΑ ΝΑ ΦΕΡΕΤΕ ΤΟΥΣ ΠΡΟΣΑΡΜΟΓΕΙΣ ΤΗΣ ΑΝΤΛΙΑΣ ΣΤΟ ΙΔΙΟ ΕΠΙΠΕΔΟ ΜΕ ΤΟΥΣ ΠΡΟΣΑΡΜΟΓΕΙΣ ΤΟΥ SPA
ΔΙΑΡΡΟΗ ΣΤΗΝ ΠΙΣΙΝΑ SPA	- ΤΟ SPA ΕΧΕΙ ΣΧΙΣΤΕΙ Ή ΤΡΥΠΗΣΕΙ - Η ΒΑΛΒΙΔΑ ΑΕΡΑ ΕΙΝΑΙ ΧΑΛΑΡΗ	- ΧΡΗΣΙΜΟΠΟΙΗΣΤΕ ΤΟ ΠΑΡΕΧΟΜΕΝΟ ΕΠΙΡΑΜΜΑ ΕΠΙΣΚΕΥΗΣ - ΧΡΗΣΙΜΟΠΟΙΩΝΤΑΣ ΣΑΠΟΥΝΟΝΕΡΟ, ΚΑΛΥΨΤΕ ΤΗ ΒΑΛΒΙΔΑ ΑΕΡΑ ΓΙΑ ΝΑ ΕΛΕΓΞΕΤΕ ΕΑΝ ΥΠΑΡΧΕΙ ΔΙΑΡΡΟΗ ΑΕΡΑ. ΑΝ ΝΑΙ, ΧΡΗΣΙΜΟΠΟΙΗΣΤΕ ΤΟ ΠΑΡΕΧΟΜΕΝΟ ΚΛΕΙΔΙ ΓΙΑ ΝΑ ΣΦΙΣΣΕΤΕ ΤΗ ΒΑΛΒΙΔΑ ΑΕΡΑ ΑΚΟΛΟΥΘΩΝΤΑΣ ΤΑ ΕΞΗΣ ΒΗΜΑΤΑ: 1. ΣΕΦΟΥΣΚΩΣΤΕ ΤΟ SPA. 2. ΜΕ ΤΟ ΕΝΑ ΧΕΡΙ, ΚΡΑΤΗΣΤΕ ΤΟ ΠΙΕΩ ΜΕΡΟΣ ΤΗΣ ΒΑΛΒΙΔΑΣ ΑΕΡΟΣ ΑΠΟ ΤΗ ΜΕΣΑ ΠΛΕΥΡΑ ΤΟΥ ΤΟΙΧΩΜΑΤΟΣ ΤΟΥ SPA ΚΑΙ ΠΕΡΙΣΤΡΕΨΤΕ ΤΟ ΚΛΕΙΔΙ ΔΕΞΙΟΣΤΡΩΦΑ.
ΤΟ ΝΕΡΟ ΔΕΝ ΕΙΝΑΙ ΚΑΘΑΡΟ	- ΑΝΕΠΑΡΚΗΣ ΧΡΟΝΟΣ ΦΙΛΤΡΑΡΙΣΜΑΤΟΣ - ΑΚΑΘΑΡΤΟ ΣΤΟΙΧΕΙΟ ΦΙΛΤΡΟΥ - ΛΑΝΘΑΣΜΕΝΗ ΣΥΝΤΗΡΗΣΗ ΝΕΡΟΥ - ΤΟ ΣΥΣΤΗΜΑ ΑΠΟΛΥΜΑΝΣΗΣ ΔΕΝ ΛΕΙΤΟΥΡΓΕΙ - Η ΠΛΑΚΑ ΤΙΤΑΝΙΟΥ ΕΠΙΚΑΛΥΦΘΗΚΕ - ΟΧΙ ΑΡΚΕΤΟΣ ΧΡΟΝΟΣ ΑΠΟΛΥΜΑΝΣΗΣ	- ΑΥΞΗΣΤΕ ΤΟ ΧΡΟΝΟ ΦΙΛΤΡΑΡΙΣΜΑΤΟΣ - ΚΑΘΑΡΙΣΤΕ/ΑΝΤΙΚΑΤΑΣΤΗΣΤΕ ΤΟ ΣΤΟΙΧΕΙΟ ΦΙΛΤΡΟΥ (ΑΝΑΤΡΕΞΤΕ ΣΤΗΝ ΕΝΟΤΗΤΑ ΚΑΘΑΡΙΣΜΟΣ ΚΑΙ ΑΝΤΙΚΑΤΑΣΤΑΣΗ ΤΟΥ ΣΤΟΙΧΕΙΟΥ ΦΙΛΤΡΟΥ) - ΑΝΑΤΡΕΞΤΕ ΣΤΙΣ ΟΔΗΓΙΕΣ ΤΟΥ ΚΑΤΑΣΚΕΥΑΣΤΗ ΤΩΝ ΧΗΜΙΚΩΝ - ΕΛΕΓΞΤΕ ΤΗΝ ΤΡΟΦΟΔΟΣΙΑ Ή ΕΠΙΚΟΙΝΩΝΗΣΤΕ ΜΕ ΤΟ ΤΟΠΙΚΟ ΚΕΝΤΡΟ ΣΕΡΒΙΣ ΤΗΣ BESTWAY ΓΙΑ ΟΔΗΓΙΕΣ - ΚΑΘΑΡΙΣΤΕ ΤΗΝ ΠΛΑΚΑ ΤΙΤΑΝΙΟΥ (ΑΝΑΤΡΕΞΤΕ ΣΤΗΝ ΕΝΟΤΗΤΑ ΣΥΝΤΗΡΗΣΗ ΣΥΣΤΗΜΑΤΟΣ ΧΛΩΡΙΩΤΗ ΑΛΑΤΟΣ)
ΑΠΟΤΥΧΙΑ ΔΟΚΙΜΗΣ PRCD	ΥΠΑΡΧΕΙ ΚΑΠΟΙΟ ΕΛΑΤΤΩΜΑ ΣΤΟ SPA ΣΑΣ	ΕΠΙΚΟΙΝΩΝΗΣΤΕ ΜΕ ΤΟ ΤΟΠΙΚΟ ΚΕΝΤΡΟ ΣΕΡΒΙΣ ΤΗΣ BESTWAY ΚΑΙ ΕΠΙΣΤΡΕΨΤΕ ΤΟ SPA
ΤΟ ΣΥΣΤΗΜΑ HYDROJET ΔΕΝ ΛΕΙΤΟΥΡΓΕΙ	- Η ΑΝΤΛΙΑ ΝΕΡΟΥ ΥΠΕΡΘΕΡΜΑΙΝΕΤΑΙ - Η ΑΝΤΛΙΑ ΝΕΡΟΥ ΥΠΕΡΣΤΗ ΒΛΑΒΗ	- ΑΠΟΣΥΝΔΕΣΤΕ ΤΗΝ ΑΝΤΛΙΑ ΚΑΙ ΠΕΡΙΜΕΝΕΤΕ ΔΥΟ ΩΡΕΣ ΜΕΧΡΙ ΝΑ ΚΡΥΩΣΕΙ Η ΑΝΤΛΙΑ. ΣΥΝΔΕΣΤΕ ΚΑΙ ΔΟΚΙΜΑΣΤΕ ΞΑΝΑ - ΕΠΙΚΟΙΝΩΝΗΣΤΕ ΜΕ ΤΟ ΤΟΠΙΚΟ ΚΕΝΤΡΟ ΣΕΡΒΙΣ ΤΗΣ BESTWAY ΓΙΑ ΟΔΗΓΙΕΣ
Ο ΠΙΝΑΚΑΣ ΕΛΕΓΧΟΥ ΔΕΝ ΛΕΙΤΟΥΡΓΕΙ	- Ο ΠΙΝΑΚΑΣ ΕΛΕΓΧΟΥ ΔΙΑΘΕΤΕΙ ΑΥΤΟΜΑΤΟ ΚΛΕΙΔΙΩΜΑ, ΤΟ ΟΠΟΙΟ ΕΝΕΡΓΟΠΟΙΕΙΤΑΙ ΜΕΤΑ ΑΠΟ 5 ΛΕΠΤΑ ΑΔΡΑΝΕΙΑΣ. Η ΘΘΘΝΗ LED ΕΧΕΙ ΕΝΑ ΕΙΚΟΝΙΔΙΟ:  ΕΑΝ ΤΟ ΕΙΚΟΝΙΔΙΟ ΚΛΕΙΔΙΑΡΙΑΣ ΕΙΝΑΙ ΦΩΤΙΣΜΕΝΟ, Ο ΠΙΝΑΚΑΣ ΕΛΕΓΧΟΥ ΕΙΝΑΙ ΚΛΕΙΔΙΩΜΕΝΟΣ - Ο ΠΙΝΑΚΑΣ ΕΛΕΓΧΟΥ ΔΕΝ ΕΙΝΑΙ ΕΝΕΡΓΟΠΟΙΗΜΕΝΟΣ	- ΓΙΑ ΝΑ ΞΕΚΛΕΙΔΩΣΕΤΕ ΤΟΝ ΠΙΝΑΚΑ ΕΛΕΓΧΟΥ, ΠΙΕΣΤΕ ΤΟ ΠΛΗΚΤΡΟ  ΓΙΑ 3 ΔΕΥΤΕΡΟΛΕΠΤΑ ΕΑΝ Ο ΠΙΝΑΚΑΣ ΕΛΕΓΧΟΥ ΔΕΝ ΞΕΚΛΕΙΔΩΣΕΙ, ΕΠΑΝΕΚΚΙΝΗΣΤΕ ΤΗΝ ΑΝΤΛΙΑ – ΑΠΟΣΥΝΔΕΣΤΕ ΚΑΙ ΕΠΑΝΑΣΥΝΔΕΣΤΕ ΤΗΝ ΑΝΤΛΙΑ. - ΠΙΕΣΤΕ ΤΟ ΠΛΗΚΤΡΟ on/off ΓΙΑ 2 ΔΕΥΤΕΡΟΛΕΠΤΑ ΕΑΝ ΤΟ ΠΡΟΒΛΗΜΑ ΣΥΝΕΧΙΣΤΕΙ, ΕΠΙΚΟΙΝΩΝΗΣΤΕ ΜΕ ΤΟ ΤΟΠΙΚΟ ΚΕΝΤΡΟ ΣΕΡΒΙΣ ΤΗΣ BESTWAY ΓΙΑ ΟΔΗΓΙΕΣ.
ΤΙ ΕΙΔΟΥΣ ΧΗΜΙΚΑ ΠΡΕΠΕΙ ΝΑ ΧΡΗΣΙΜΟΠΟΙΟΥΝΤΑΙ ΓΙΑ ΤΗ ΣΥΝΤΗΡΗΣΗ ΤΟΥ ΝΕΡΟΥ;	ΠΑΡΑΚΑΛΟΥΜΕ ΣΥΜΒΟΥΛΕΥΘΕΙΤΕ ΤΟΝ ΤΟΠΙΚΟ ΣΑΣ ΠΡΟΜΗΘΕΥΤΗ ΧΗΜΙΚΩΝ ΓΙΑ ΠΛΗΡΟΦΟΡΙΕΣ ΣΧΕΤΙΚΑ ΜΕ ΤΗ ΧΗΜΙΚΗ ΣΥΝΤΗΡΗΣΗ. ΔΩΣΤΕ ΠΡΟΣΟΧΗ ΣΤΙΣ ΟΔΗΓΙΕΣ ΤΟΥ ΚΑΤΑΣΚΕΥΑΣΤΗ ΤΩΝ ΧΗΜΙΚΩΝ.	
ΥΠΑΡΧΕΙ ΔΙΑΡΡΟΗ ΝΕΡΟΥ ΑΠΟ ΤΟΥΣ ΠΡΟΣΑΡΜΟΓΕΙΣ ΜΕΤΑΞΥ ΤΗΣ ΑΝΤΛΙΑΣ ΚΑΙ ΤΟΥ SPA	ΤΟΠΟΘΕΤΗΣΤΕ ΤΙΣ ΤΡΕΙΣ ΤΑΠΕΣ ΣΤΙΣ ΘΥΡΕΣ ΤΟΥ SPA ΓΙΑ ΤΗΝ ΠΡΟΛΗΨΗ ΔΙΑΦΥΓΗΣ ΝΕΡΟΥ ΚΑΙ ΑΠΟΣΥΝΔΕΣΤΕ ΤΗΝ ΑΝΤΛΙΑ. ΕΛΕΓΞΤΕ ΚΑΙ ΒΕΒΑΙΩΘΕΙΤΕ ΟΤΙ ΟΙ ΣΤΕΓΑΝΟΠΟΙΗΣΕΙΣ ΕΙΝΑΙ ΣΩΣΤΑ ΤΟΠΟΘΕΤΗΜΕΝΕΣ ΜΕΣΑ ΣΤΟΥΣ ΠΡΟΣΑΡΜΟΓΕΙΣ ΤΗΣ ΑΝΤΛΙΑΣ. ΕΑΝ ΟΙ ΣΤΕΓΑΝΟΠΟΙΗΣΕΙΣ ΛΕΙΠΟΥΝ Ή ΔΕΝ ΕΧΟΥΝ ΕΓΚΑΤΑΣΤΑΘΕΙ ΣΩΣΤΑ, ΕΠΙΚΟΙΝΩΝΗΣΤΕ ΜΕ ΤΟ ΤΟΠΙΚΟ ΚΕΝΤΡΟ ΣΕΡΒΙΣ ΤΗΣ BESTWAY ΓΙΑ ΟΔΗΓΙΕΣ. ΕΑΝ ΟΙ ΣΤΕΓΑΝΟΠΟΙΗΣΕΙΣ ΕΙΝΑΙ ΣΩΣΤΑ ΣΤΗ ΘΕΣΗ ΤΟΥΣ, ΕΠΑΝΑΣΥΝΔΕΣΤΕ ΤΗΝ ΑΝΤΛΙΑ ΣΤΟ SPA ΚΑΙ ΣΦΙΣΤΕ ΤΟΥΣ ΠΡΟΣΑΡΜΟΓΕΙΣ ΜΕ ΤΟ ΧΕΡΙ.	

ΠΕΡΙΟΡΙΣΜΕΝΗ ΕΓΓΥΗΣΗ ΚΑΤΑΣΚΕΥΑΣΤΗ BESTWAY®

ΤΟ ΠΡΟΪΟΝ ΠΟΥ ΑΓΟΡΑΣΑΤΕ ΠΑΡΕΧΕΤΑΙ ΜΕ ΜΙΑ ΠΕΡΙΟΡΙΣΜΕΝΗ ΕΓΓΥΗΣΗ. Η BESTWAY® ΥΠΟΣΤΗΡΙΖΕΙ ΤΗΝ ΕΓΓΥΗΣΗ ΠΟΙΟΤΗΤΑΣ ΜΑΣ ΚΑΙ ΔΙΑΒΕΒΑΙΩΝΕΙ, ΜΕΣΩ ΜΙΑΣ ΕΓΓΥΗΣΗΣ ΑΝΤΙΚΑΤΑΣΤΑΣΗΣ, ΟΤΙ ΤΟ ΠΡΟΪΟΝ ΣΑΣ ΘΑ ΕΙΝΑΙ ΑΠΛΑΛΛΑΓΜΕΝΟ ΑΠΟ ΕΛΑΤΤΩΜΑΤΑ ΤΟΥ ΚΑΤΑΣΚΕΥΑΣΤΗ. ΓΙΑ ΝΑ ΚΙΝΗΘΕΙ ΜΙΑ ΑΞΙΩΣΗ ΕΓΓΥΗΣΗΣ, ΠΡΕΠΕΙ ΝΑ ΣΥΜΠΛΗΡΩΘΕΙ ΑΥΤΟ ΤΟ ΕΝΤΥΠΟ ΚΑΙ ΝΑ ΥΠΟΒΛΗΘΕΙ ΣΥΝΟΔΕΥΟΜΕΝΟ ΑΠΟ ΕΝΑ ΑΝΤΙΓΡΑΦΟ ΤΗΣ ΑΠΟΔΕΙΞΗΣ ΑΓΟΡΑΣ ΣΑΣ ΣΤΟ ΤΟΠΙΚΟ ΚΕΝΤΡΟ ΣΕΡΒΙΣ ΜΕΤΑ ΤΗΝ ΠΩΛΗΣΗ ΤΗΣ BESTWAY. ΠΑΡΑΚΑΛΟΥΜΕ ΕΠΙΚΟΙΝΩΗΣΤΕ ΜΕ ΤΟ ΤΟΠΙΚΟ ΚΕΝΤΡΟ ΣΕΡΒΙΣ ΜΕΤΑ ΤΗΝ ΠΩΛΗΣΗ ΤΗΣ BESTWAY ΠΡΙΝ ΑΠΟ ΤΗΝ ΑΠΟΣΤΟΛΗ ΟΠΟΙΟΔΗΠΟΤΕ ΕΓΓΡΑΦΩΝ. ΘΑ ΣΑΣ ΠΑΡΑΣΧΟΥΝ ΠΛΗΡΕΙΣ ΟΔΗΓΙΕΣ ΓΙΑ ΤΟ ΤΙ ΧΡΕΙΑΖΕΤΑΙ ΓΙΑ ΤΗΝ ΑΞΙΩΣΗ ΣΑΣ. Η BESTWAY® ΔΕΝ ΘΑ ΑΝΤΙΚΑΤΑΣΤΗΣΕΙ ΟΠΟΙΟΔΗΠΟΤΕ ΠΡΟΪΟΝΤΑ ΘΕΩΡΗΣΕΙ ΟΤΙ ΕΧΟΥΝ ΚΑΤΑΣΤΡΑΦΕΙ ΛΟΓΩ ΑΜΕΛΕΙΑΣ Η ΛΟΓΩ ΤΟΥ ΟΤΙ ΕΧΟΥΝ ΧΡΗΣΙΜΟΠΟΙΗΘΕΙ ΕΚΤΟΣ ΤΩΝ ΚΑΤΕΥΘΥΝΤΗΡΙΩΝ ΟΔΗΓΙΩΝ ΣΤΟ ΕΓΧΕΙΡΙΔΙΟ ΙΔΙΟΚΤΗΤΗ. Η ΕΓΓΥΗΣΗ ΤΗΣ BESTWAY ΚΑΛΥΠΤΕΙ ΕΛΑΤΤΩΜΑΤΑ ΚΑΤΑΣΚΕΥΗΣ ΠΟΥ ΑΝΑΚΑΛΥΦΘΗΚΑΝ ΚΑΤΑ ΤΗΝ ΑΠΟΣΥΣΚΕΥΑΣΙΑ ΤΟΥ ΠΡΟΪΟΝΤΟΣ Η ΚΑΤΑ ΤΗ ΧΡΗΣΗ, ΟΠΩΣ ΣΥΝΙΣΤΑΤΑΙ ΣΤΟ ΕΓΧΕΙΡΙΔΙΟ ΧΡΗΣΗΣ. Η ΕΓΓΥΗΣΗ ΑΥΤΗ ΙΣΧΥΕΙ ΜΟΝΟ ΓΙΑ ΠΡΟΪΟΝΤΑ ΠΟΥ ΔΕΝ ΠΡΕΠΕΙ ΝΑ ΕΧΟΥΝ ΤΡΟΠΟΠΟΙΗΘΕΙ ΑΠΟ ΟΠΟΙΟΔΗΠΟΤΕ ΤΡΙΤΟ. ΤΟ ΠΡΟΪΟΝ ΠΡΕΠΕΙ ΝΑ ΑΠΟΘΗΚΕΥΤΕΙ ΚΑΙ ΝΑ ΥΠΟΣΤΕΙ ΧΕΙΡΙΣΜΟ ΣΥΜΦΩΝΑ ΜΕ ΤΙΣ ΤΕΧΝΙΚΕΣ ΣΥΣΤΑΣΕΙΣ. Η ΕΓΓΥΗΣΗ ΔΕΝ ΚΑΛΥΠΤΕΙ ΖΗΜΙΕΣ ΠΟΥ ΠΡΟΚΛΗΘΗΚΑΝ ΑΠΟ ΚΑΚΗ ΧΡΗΣΗ, ΚΑΤΑΧΡΗΣΗ, ΑΜΕΛΕΙΑ, ΣΥΜΠΕΡΙΛΑΜΒΑΝΟΜΕΝΩΝ, ΑΛΛΑ ΧΩΡΙΣ ΝΑ ΠΕΡΙΟΡΙΖΟΝΤΑΙ ΣΕ ΣΥΓΚΡΟΥΣΗ, ΦΩΤΙΑ, ΧΡΗΣΗ ΛΑΝΘΑΣΜΕΝΗΣ ΤΑΣΗΣ, ΣΕ ΥΠΕΡΒΟΛΙΚΗ ΕΚΘΕΣΗ ΣΤΗ ΘΕΡΜΟΤΗΤΑ, ΑΚΑΤΑΛΛΗΛΗ ΕΓΚΑΤΑΣΤΑΣΗ, ΑΚΑΤΑΛΛΗΛΗ ΚΑΛΩΔΙΩΣΗ Η ΔΟΚΙΜΕΣ, ΑΚΑΤΑΛΛΗΛΗ ΑΠΟΘΗΚΕΥΣΗ. ΟΙ ΑΝΤΙΚΑΤΑΣΤΑΣΕΙΣ ΚΑΙ ΟΙ ΕΠΙΣΚΕΥΕΣ ΔΕΝ ΠΑΡΑΤΕΙΝΟΥΝ ΤΗ ΔΙΑΡΚΕΙΑ ΤΗΣ ΕΓΓΥΗΣΗΣ. Η ΗΜΕΡΟΜΗΝΙΑ ΕΝΑΡΞΗΣ ΤΗΣ ΕΓΓΥΗΣΗΣ ΕΙΝΑΙ Η ΗΜΕΡΟΜΗΝΙΑ ΠΩΛΗΣΗΣ ΠΟΥ ΕΜΦΑΝΙΖΕΤΑΙ ΣΤΗΝ ΠΡΩΤΟΤΥΠΗ ΑΠΟΔΕΙΞΗ/ΤΙΜΟΛΟΓΙΟ ΑΓΟΡΑΣ.

ΠΑΡΑΚΑΛΟΥΜΕ ΕΠΙΛΕΞΤΕ ΤΟ SPA ΣΑΣ



○ PALM SPRINGS



○ HAWAII

ΠΡΟΣ: ΤΜΗΜΑ ΣΕΡΒΙΣ BESTWAY®

ΗΜΕΡΟΜΗΝΙΑ ΑΓΟΡΑΣ: _____

ΗΜΕΡΟΜΗΝΙΑ: _____

ΚΩΔΙΚΟΣ ΑΡΙΘΜΟΣ ΠΕΛΑΤΗ: _____

ΦΑΣ/Ε-MAIL/ΤΗΛ: ΠΑΡΑΚΑΛΟΥΜΕ ΑΝΑΦΕΡΘΕΙΤΕ ΣΤΗ ΧΩΡΑ ΣΑΣ, ΣΥΜΦΩΝΑ ΜΕ ΤΙΣ ΠΛΗΡΟΦΟΡΙΕΣ ΠΟΥ ΘΑ ΒΡΕΙΤΕ ΣΤΟ ΠΙΣΩ ΕΞΩΦΥΛΛΟ Η ΣΤΗΝ ΙΣΤΟΣΕΛΙΔΑ ΜΑΣ: www.bestwaycorp.com

ΠΑΡΑΚΑΛΩ ΠΑΡΑΣΧΕΤΕ ΤΑ ΠΛΗΡΗ ΣΤΟΙΧΕΙΑ ΤΗΣ ΔΙΕΥΘΥΝΣΗΣ ΣΑΣ. **ΣΗΜΕΙΩΣΗ:** ΕΛΛΗΝ ΣΤΟΙΧΕΙΑ ΔΙΕΥΘΥΝΣΗΣ ΘΑ ΕΧΟΥΝ ΩΣ ΑΠΟΤΕΛΕΣΜΑ ΚΑΘΥΣΤΕΡΗΣΕΙΣ ΣΤΙΣ ΑΠΟΣΤΟΛΕΣ. Η BESTWAY ΔΙΑΤΗΡΕΙ ΤΟ ΔΙΚΑΙΩΜΑ ΧΡΕΩΣΗΣ ΓΙΑ ΤΗΝ ΕΚ ΝΕΟΥ ΠΑΡΑΔΟΣΗ ΤΩΝ ΜΗ ΠΑΡΑΔΟΘΕΝΤΩΝ ΔΕΜΑΤΩΝ ΛΟΓΩ ΥΠΑΙΤΙΟΤΗΤΑΣ ΤΟΥ ΠΑΡΑΛΗΠΤΗ.

ΑΠΑΙΤΟΥΜΕΝΕΣ ΠΛΗΡΟΦΟΡΙΕΣ - ΠΑΡΑΚΑΛΟΥΜΕ ΓΡΑΨΤΕ ΤΗ ΔΙΕΥΘΥΝΣΗ ΠΑΡΑΔΟΣΗΣ

ΟΝΟΜΑ: _____ ΔΙΕΥΘΥΝΣΗ: _____

ΤΑΧ. ΚΩΔΙΚΟΣ: _____ ΚΑΤΑΣΤΗΜΑ ΠΩΛΗΣΗΣ: _____

ΧΩΡΑ: _____ ΠΟΛΗ: _____

ΚΙΝΗΤΟ: _____ ΤΗΛΕΦΩΝΟ: _____

ΦΑΞ: _____ E-MAIL: _____

ΑΡΙΘΜΟΣ ΠΑΡΤΙΔΑΣ ΑΝΤΛΙΑΣ SPA: _____ ΑΡΙΘΜΟΣ ΠΑΡΤΙΔΑΣ ΠΙΣΙΝΑΣ SPA: _____

ΚΩΔΙΚΟΣ ΕΞΑΡΤΗΜΑΤΟΣ ΑΝΤΛΙΑΣ SPA: _____



ΌΛΑ ΤΑ ΣΧΕΔΙΑ ΕΙΝΑΙ ΜΟΝΟ ΓΙΑ ΛΟΓΟΥΣ ΑΠΕΙΚΟΝΙΣΗΣ. ΔΕΝ ΕΙΝΑΙ ΥΠΟ ΚΛΙΜΑΚΑ.

ΠΕΡΙΓΡΑΦΗ ΠΡΟΒΛΗΜΑΤΟΣ

- ΔΙΑΡΡΟΗ SPA
- Ο ΠΙΝΑΚΑΣ ΕΛΕΓΧΟΥ ΕΜΦΑΝΙΖΕΙ ΜΙΑ ΒΛΑΒΗ ΠΟΥ ΔΕΝ ΜΠΟΡΕΙ ΝΑ ΛΥΘΕΙ
- ΔΙΑΡΡΟΗ ΑΝΤΛΙΑΣ
- ΔΙΑΡΡΟΗ ΠΡΟΣΑΡΜΟΓΕΑ
- ΤΟ ΣΥΣΤΗΜΑ ΦΙΛΤΡΑΡΙΣΜΑΤΟΣ ΔΕΝ ΛΕΙΤΟΥΡΓΕΙ
- ΤΟ ΣΥΣΤΗΜΑ ΘΕΡΜΑΝΣΗΣ ΔΕΝ ΛΕΙΤΟΥΡΓΕΙ
- ΤΟ ΣΥΣΤΗΜΑ LAY-Z-MASSAGE ΔΕΝ ΛΕΙΤΟΥΡΓΕΙ
- ΛΕΙΠΕΙ ΕΞΑΡΤΗΜΑ - ΠΑΡΑΚΑΛΟΥΜΕ ΧΡΗΣΙΜΟΠΟΙΗΣΤΕ ΤΟΝ ΚΩΔΙΚΟ ΓΙΑ ΤΟ ΕΞΑΡΤΗΜΑ ΠΟΥ ΛΕΙΠΕΙ, ΑΥΤΟ ΜΠΟΡΕΙ ΝΑ ΒΡΕΘΕΙ ΣΤΟ ΕΓΧΕΙΡΙΔΙΟ ΧΡΗΣΤΗ.
- ΆΛΛΟ (ΠΑΡΑΚΑΛΟΥΜΕ ΠΕΡΙΓΡΑΨΤΕ)

ΣΗΜΑΝΤΙΚΟ: ΘΑ ΑΝΤΙΚΑΤΑΣΤΑΘΕΙ ΜΟΝΟ ΤΟ ΚΑΤΕΣΤΡΑΜΜΕΝΟ ΕΞΑΡΤΗΜΑ, ΟΧΙ ΤΟ ΠΛΗΡΕΣ ΣΕΤ

Η BESTWAY ΔΙΑΤΗΡΕΙ ΤΟ ΔΙΚΑΙΩΜΑ ΝΑ ΖΗΤΗΣΕΙ ΦΩΤΟΓΡΑΦΙΚΑ ΑΠΟΔΕΙΚΤΙΚΑ ΣΤΟΙΧΕΙΑ ΤΩΝ ΕΛΑΤΤΩΜΑΤΙΚΩΝ ΕΞΑΡΤΗΜΑΤΩΝ,

Η ΝΑ ΑΠΑΙΤΗΣΕΙ ΤΗΝ ΑΠΟΣΤΟΛΗ ΤΟΥ ΕΞΑΡΤΗΜΑΤΟΣ ΓΙΑ ΠΡΟΣΘΕΤΕΣ ΔΟΚΙΜΕΣ.

ΠΡΟΚΕΙΜΕΝΟΥ ΝΑ ΣΑΣ ΒΟΗΘΗΣΟΥΜΕ ΚΑΛΥΤΕΡΑ, ΖΗΤΑΜΕ ΟΛΕΣ ΟΙ ΠΛΗΡΟΦΟΡΙΕΣ ΠΟΥ ΠΑΡΕΧΕΤΕ ΝΑ ΕΙΝΑΙ ΠΛΗΡΕΙΣ.

ΓΙΑ ΣΥΝΙΣΤΕΣ ΕΡΩΤΗΣΕΙΣ, ΕΓΧΕΙΡΙΔΙΑ, ΒΙΝΤΕΟ Ή ΑΝΤΑΛΛΑΚΤΙΚΑ, ΠΑΡΑΚΑΛΟΥΜΕ ΕΠΙΣΚΕΦΘΕ ΤΗΝ ΙΣΤΟΣΕΛΙΔΑ ΜΑΣ www.bestwaycorp.com ΒΙΝΤΕΟ ΔΙΑΤΙΘΕΝΤΑΙ ΕΠΙΣΤΟ ΣΤΟ ΔΙΚΟ ΜΑΣ ΚΑΝΑΛΙ BESTWAY ΣΤΟ YOUTUBE: www.youtube.com/user/BestwayService

Bestway

СОДЕРЖАНИЕ

1. Инструкции по технике безопасности	стр. 120
2. Технические характеристики	стр. 123
3. Сборка	стр. 125
4. Эксплуатация.....	стр. 127
5. Обслуживание.....	стр. 129
6. Устранение неисправностей.....	стр. 131
7. Гарантия.....	стр. 132



ИНСТРУКЦИИ ПО ТЕХНИКЕ БЕЗОПАСНОСТИ

При установке и эксплуатации электрического оборудования необходимо соблюдать основные требования техники безопасности, а именно:

ВАЖНЫЕ ИНСТРУКЦИИ ПО ТЕХНИКЕ БЕЗОПАСНОСТИ. ПРОЧИТАЙТЕ И СОБЛЮДАЙТЕ ВСЕ ИНСТРУКЦИИ.

ВНИМАНИЕ!

- Питание бассейна должно осуществляться через изолирующий трансформатор или устройство защитного отключения (УЗО) с номинальным остаточным током срабатывания, не превышающим 30 мА.
- Насос должен тестироваться перед каждым использованием. Для проведения проверки выполните инструкции, изложенные в разделе «Проверка насоса» данного руководства.
- Если шнур питания поврежден, во избежание опасной ситуации его замену должен осуществлять производитель, его представитель по сервису или специалисты аналогичной квалификации.
- Для снижения опасности поражения электрическим током не пользуйтесь удлинителем для подсоединения устройства к источнику электропитания; обеспечьте наличие должным образом установленной розетки.
- Никакие компоненты этого устройства не должны находиться над бассейном во время его использования.
- Компоненты с деталями, находящимися под напряжением, за исключением деталей под безопасным сверхнизким напряжением, не превышающим 12 В, должны быть недоступны для людей, находящихся в спа-бассейне. Детали с электрическими компонентами, кроме устройств дистанционного управления, должны быть расположены и закреплены так, чтобы они не могли упасть в спа-бассейн.
- Штепсельная вилка насоса должна располагаться на расстоянии более 3,5 метра от бассейна.
- После установки бассейна штепсельная вилка должна быть доступна.

ОСТОРОЖНО! Во избежание опасности вследствие самопроизвольного сброса теплового выключателя это устройство не должно запитываться через внешнее коммутационное устройство, например, через таймер, или подключаться к цепи, которая регулярно включается или выключается хозяйственно-бытовыми установками или оборудованием.

После использования бассейна в течение 3-5 лет вам следует обратиться к местному квалифицированному специалисту по техническому обслуживанию для обеспечения безопасной и производительной работы бассейна. Силами профессиональных специалистов следует проверить и при необходимости заменить основные внутренние компоненты электрооборудования, такие как нагревательный элемент, электродвигатель вентилятора и обратные клапаны.

Внимание! Штепсельная вилка должна быть постоянно сухой. Категорически запрещается выполнять подключение влажной штепсельной вилкой!

Бассейн должен быть оснащен заземленным источником питания.

- **ВО ИЗБЕЖАНИЕ ПОРАЖЕНИЯ ЭЛЕКТРИЧЕСКИМ ТОКОМ НЕ ПОЛЬЗУЙТЕСЬ БАСЕЙНОМ ВО ВРЕМЯ ДОЖДЯ.**
- Ни в коем случае не носите контактные линзы, находясь в бассейне.
- Не пользуйтесь бассейном во время обработки воды химическими средствами.
- Источник питания на стене здания должен быть расположен на расстоянии более 4 м от бассейна и на высоте минимум 1,2 м.
- Удлинители использовать запрещено.
- Не подсоединяйте и не отсоединяйте устройство от сети питания влажными руками.
- Обязательно отсоединяйте устройство от сети питания:
 - в дождливые дни;
 - перед чисткой или другим обслуживанием;
 - если оно остается без присмотра на выходных.
- Чистку и пользовательское обслуживание должны выполнять взрослые старше 18 лет, осведомленные об опасности поражения электрическим током.
- Если изделие не будет использоваться в течение долгого времени, например, зимой, разберите его и храните в закрытом помещении.
- **Внимание!** Прочитайте инструкции перед использованием изделия, а также перед каждой установкой или сборкой.

- Храните инструкцию в надежном месте. В случае утери инструкции обратитесь к производителю или найдите ее на веб-сайте www.bestwaycorp.com
- **Внимание! В целях электрической безопасности шнур питания оборудован защитным устройством по дифференциальному току (PRCD). Если ток утечки составит более 10 мА, произойдет автоматическое прекращение подачи тока к изделию. В этом случае немедленно отсоедините бассейн от сети питания и прекратите им пользоваться. Не пытайтесь самостоятельно снова включить изделие. Свяжитесь с местным центром обслуживания для проверки и ремонта изделия.**
- Данное изделие не предназначено для использования лицами (включая детей) с ограниченными физическими, сенсорными и умственными возможностями, а также лицами без соответствующего опыта и знаний, если они не находятся под присмотром или не проинструктированы о порядке пользования изделием лицом, ответственным за их безопасность. Следует наблюдать за детьми, чтобы они не игрались с изделием. (Для рынков вне ЕС.)
- Данное изделие может использоваться детьми в возрасте 8 лет и старше, а также лицами с ограниченными физическими, сенсорными и умственными возможностями либо лицами без соответствующих навыков и опыта, если они находятся под присмотром или проинструктированы на предмет безопасного использования изделия и осознают связанные с этим опасности. Детям запрещается играть с изделием. Чистку и пользовательское обслуживание запрещено выполнять детям без присмотра. (Для рынка ЕС.)
- Вода привлекает детей. После каждого использования обязательно устанавливайте на место крышку бассейна.
- Не закапывайте шнур питания в землю. Прокладывайте шнур питания так, чтобы свести к минимуму опасность его повреждения газонокосилками, шпалерными ножницами и другим оборудованием.
- Опасность случайного утопления. Особое внимание следует уделить упреждению доступа детей в бассейн без разрешения. Во избежание несчастных случаев обеспечьте, чтобы дети никогда не могли пользоваться бассейном без присмотра.
- **ОПАСНОСТЬ ПОЛУЧЕНИЯ ТРАВМ.** Ни в коем случае не пользуйтесь бассейном, если впускные или выпускные трубы сломаны или отсутствуют. Ни в коем случае не пытайтесь заменить впускные/выпускные трубы. Обязательно обращайтесь за помощью в ближайший центр послепродажного обслуживания.
- **РИСК ПОРАЖЕНИЯ ЭЛЕКТРИЧЕСКИМ ТОКОМ.** Устанавливайте на расстоянии как минимум 2 м от любых металлических поверхностей.
- **РИСК ПОРАЖЕНИЯ ЭЛЕКТРИЧЕСКИМ ТОКОМ.** ни в коем случае не пользуйтесь никакими электрическими приборами, когда вы находитесь в бассейне, или когда ваше тело мокрое. Ни в коем случае не размещайте никакие электроприборы, например, лампу, телефон, радиоприемник или телевизор на расстоянии до 2 м от бассейна.
- Длительное пребывание в горячей воде во время беременности может нанести непоправимый вред плоду. Ограничьте время пребывания 10 минутами за один раз.
- **ДЛЯ СНИЖЕНИЯ ОПАСНОСТИ ПОЛУЧЕНИЯ ТРАВМ:**
 - А.** Температура воды в бассейне никогда не должна превышать 40 °C (104 °F). Температура воды между 38 °C (100 °F) и 40 °C (104 °F) считается безопасной для взрослого здорового человека. При использовании бассейном более 10 минут и для маленьких детей рекомендуется меньшая температура воды.
 - В.** В связи с тем, что горячая вода несет высокую опасность причинения непоправимого вреда плоду в первые месяцы беременности, беременные или возможно беременные женщины должны ограничить температуру воды в бассейне до 38 °C (100 °F).
 - С.** Перед тем как зайти в бассейн, пользователь должен измерить температуру воды точным термометром, поскольку устройство регулировки температуры воды в бассейне имеет свои допуски измерений.
 - Д.** Прием алкоголя, наркотиков или медикаментов до или во время пользования бассейном может привести к потере сознания и, как следствие, к возможности утопления.
 - Е.** Лица с избыточным весом, страдающие сердечными заболеваниями, с низким или высоким кровяным давлением, проблемами с системой циркуляции крови или диабетом должны проконсультироваться у врача перед тем, как начать пользоваться бассейном.
 - Ф.** Лица, принимающие медикаменты, должны проконсультироваться у врача перед тем, как начать пользоваться бассейном, поскольку некоторые медикаменты могут вызывать сонливость, в то время как другие могут влиять на частоту сердцебиения, кровяное давление и циркуляцию крови.
- **ДЛЯ СНИЖЕНИЯ ОПАСНОСТИ ПОЛУЧЕНИЯ ТРАВМ:** Ни в коем случае не наливайте воду температурой выше 40 °C (104 °F) непосредственно в спа-бассейн.
- Прием алкоголя, наркотиков или медикаментов может существенно повысить опасность фатальной гипертермии. Гипертермия имеет место, когда внутренняя температура тела превышает на несколько градусов нормальную температуру тела в 37 °C (98,6 °F). Симптомы гипертермии включают в себя повышение внутренней температуры тела, головокружение, заторможенность, сонливость и потерю сознания. Результатом гипертермии является неспособность ощущать избыточное тепло; неспособность осознать необходимость покинуть бассейн или гидромассажную ванну; неосознание надвигающейся опасности; повреждение плода у беременных женщин; физическая неспособность покинуть бассейн или гидромассажную ванну и потеря сознания, влекущая опасность утопления.
- Электрические подключения должны соответствовать национальным нормам ведения электромонтажных работ. Если у вас имеются вопросы, обратитесь к квалифицированному мастеру-электрику.

ОБРАТИТЕСЬ ЗА КОНСУЛЬТАЦИЕЙ К СВОЕМУ ВРАЧУ.

ОСТОРОЖНО!

- Нельзя выполнять установку температуры воды в бассейне или оставлять его с температурой воды ниже 4 °C (40 °F).
- Не пользуйтесь бассейном в одиночку.
- Лица с инфекционными заболеваниями не должны пользоваться бассейном.
- Не пользуйтесь бассейном сразу после интенсивной физической нагрузки.
- Всегда заходите в бассейн медленно и осторожно. Мокрые поверхности скользкие.
- Во избежание поломки насоса бассейн нельзя включать, пока он не заполнен водой.
- Немедленно покиньте бассейн, если почувствуете дискомфорт или сонливость.
- Никогда не заливайте воду в химические средства. Всегда добавляйте химические средства в воду так, чтобы избежать интенсивного парообразования или активных реакций, которые могут привести к опасному разбрызгиванию химических средств.
- Информацию по чистке, уходу за водой и сливу воды см. в разделе «ОБСЛУЖИВАНИЕ».
- Информацию по установке см. ниже в руководстве пользователя.

ПРИМЕЧАНИЕ

- Осмотрите оборудование перед использованием. При обнаружении поврежденных или отсутствующих компонентов во время приобретения сообщите об этом в компанию Bestway по адресу сервисной службы, указанному в настоящем руководстве. Проверьте, чтобы компоненты оборудования соответствовали моделям, которые вы собирались приобрести.
- Данное изделие не предназначено для коммерческого использования.

ПРЕДУПРЕЖДЕНИЕ, ОТНОСЯЩЕЕСЯ К ЭЛЕКТРИЧЕСКОМУ ВОЗДУШНОМУ НАСОСУ (для модели Palm Springs HydroJet)

Электрический воздушный насос не является частью бассейна. Инструкции по технике безопасности, относящиеся к электрическому воздушному насосу, см. в руководстве пользователя.

Категорически запрещается использовать для бассейна удлинитель, используемый для подключения электрического воздушного насоса при накачивании бассейна.

После завершения накачивания бассейна воздушный насос и удлинитель должны быть отсоединены от сети питания и помещены на хранение внутри помещения.

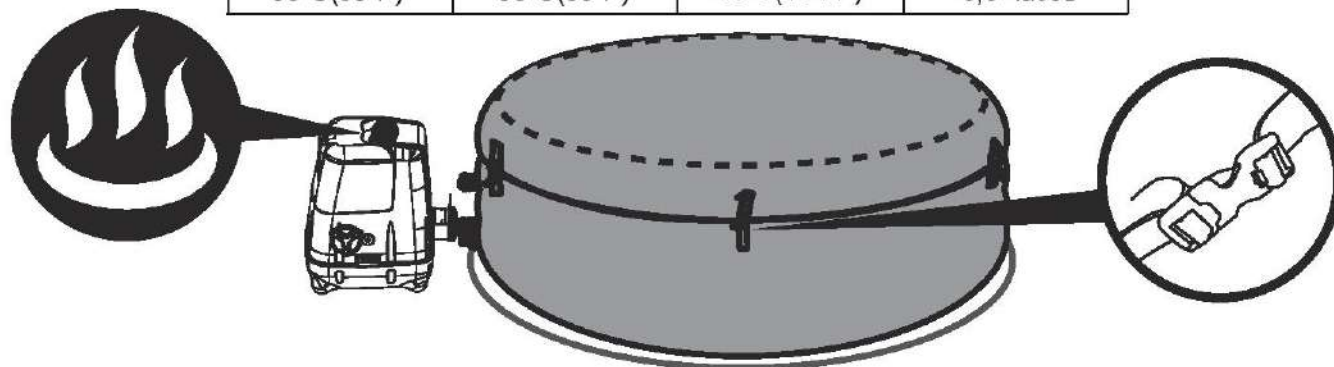
Время работы электродвигателя не должно превышать 20 минут.

ОСТОРОЖНО! ВО ИЗБЕЖАНИЕ РИСКА ПОРАЖЕНИЯ ЭЛЕКТРИЧЕСКИМ ТОКОМ НЕ ПОДВЕРГАЙТЕ ВОЗДЕЙСТВИЮ ВОДЫ ИЛИ ДОЖДЯ. ТОЛЬКО ДЛЯ БЫТОВОГО ПРИМЕНЕНИЯ.

СОХРАНИТЕ ЭТИ ИНСТРУКЦИИ. ВАЖНО!

Время нагревания, необходимое для достижения температуры 40 °C (104 °F), зависит от изначальной температуры воды и от температуры окружающей среды; приведенные ниже данные даны только для справки. Чтобы отобразилась температура воды в данный момент, включите фильтрующую систему минимум на одну минуту.

Температура окружающей среды	Температура воды	Желаемая температура	Время нагревания
10°C(50°F)	10°C(50°F)	40°C(104°F)	18,5 часов
15°C(59°F)	15°C(59°F)	40°C(104°F)	15 часов
20°C(68°F)	20°C(68°F)	40°C(104°F)	11,5 часов
25°C(77°F)	25°C(77°F)	40°C(104°F)	8,5 часов
30°C(86°F)	30°C(86°F)	40°C(104°F)	5,5 часов

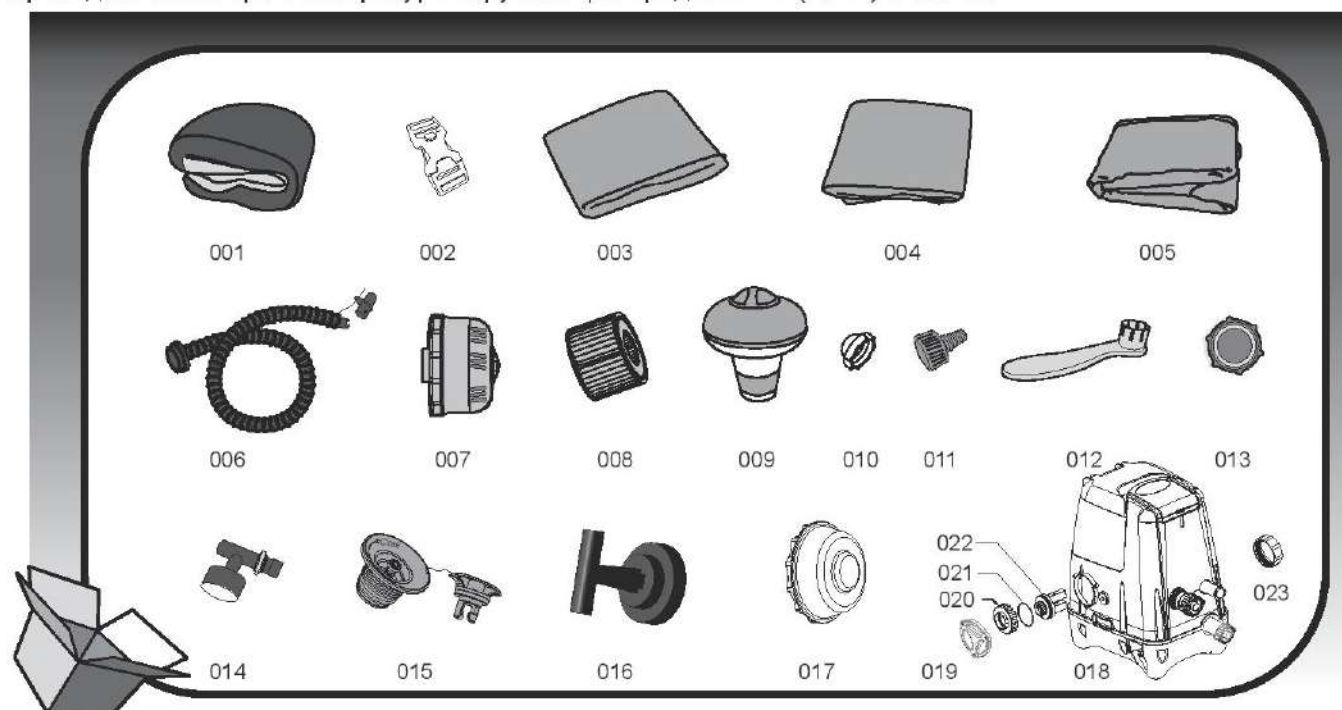


Убедитесь в том, что бассейн накрыт крышкой бассейна, когда работает нагреватель. Если бассейн не накрыт крышкой, для нагревания воды потребуются больше времени. Не используйте бассейн, если температура окружающей среды ниже 4 °C (39 °F).

ТЕХНИЧЕСКИЕ ХАРАКТЕРИСТИКИ LAY-Z-SPA™ HAWAII HYDROJET PRO (#54138)

Вместимость:	4-6 взрослых	Массажный турбовентилятор:	800 Вт	Насос гидромассажных форсунок:	1.200 Вт
Объем бассейна:	795 л (210 галлонов)	Нагревательный элемент:	2.000 Вт при 20 °С	Фактический расход воды:	1325 л/час (350 галлонов/час)
Размер в надутом состоянии:	1,80 м x 1,80 м x 0,71 м (71 дюйм x 71 дюйм x 28 дюймов)	Насос:	50 Вт, циркуляционный фильтрующий насос	Номинальная мощность:	220-240 В перем. тока, 2060 Вт при 20 °С
Вес в наполненном состоянии:	867 кг (1.911 фунтов)	Максимальная температура:	40°C (104°F)	Максимальная температура:	1,2 psi (0,08 бар)
Повышенная скорость нагревания:	Приблизительно 1,5-2 °С/час (3-4 °F/час)	Гидромассажные форсунки:	8 шт.	Система соленой воды:	20 Вт

ПРИМЕЧАНИЕ. Приведенные выше данные о нагревании основываются на лабораторном тесте, проводившемся при температуре окружающей среды 25 °С (77 °F) и выше.

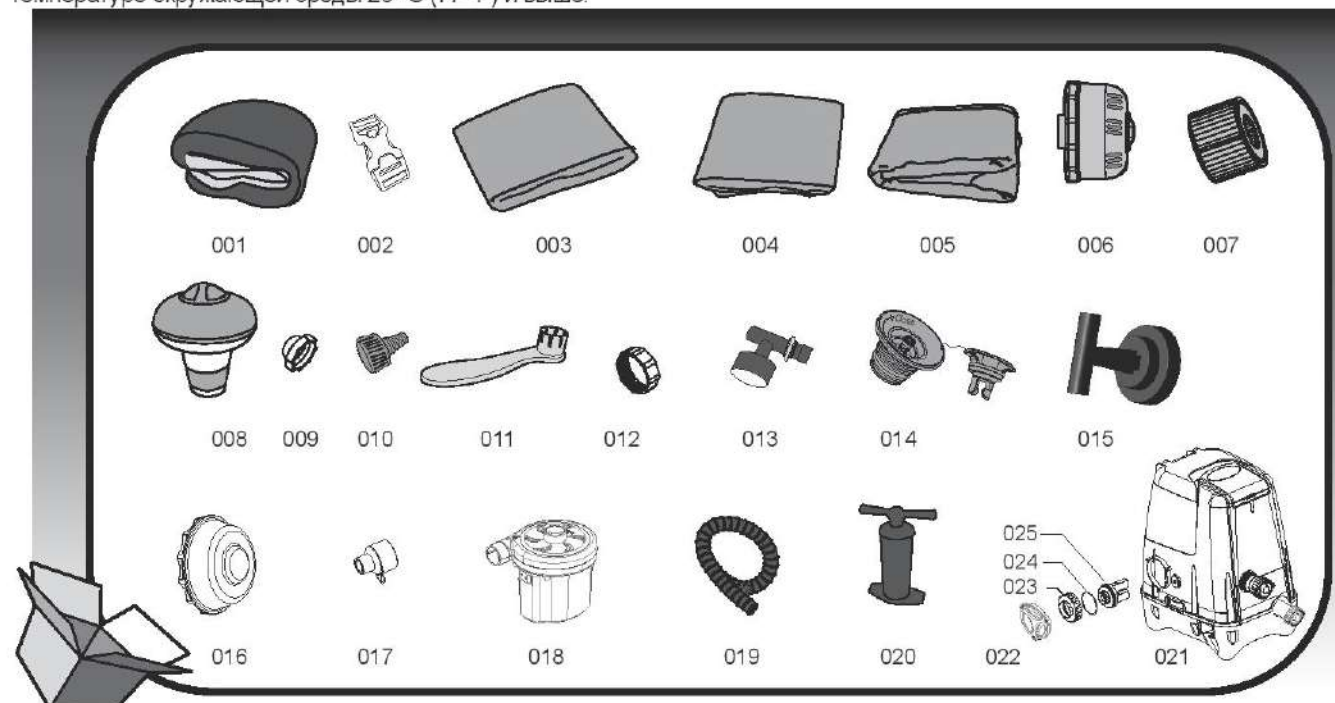


№ детали	Код детали	Описание	КОЛ-ВО
001	54138TASS17	Лайнер бассейна	1
002	F6414ASS16	Пряжка	8
003	P5511GASS17	Крышка из ледероида	1
004	54138GASS17	Надувное покрытие	1
005	58371(H)S16	Напольный коврик	1
006	P6930	Шланг для накачивания	1
007	P6653	Блок фильтра	1
008	58323	Картридж фильтра	2
009	58426S17	Поллавок для химических средств	1
010	P6575	Заглушка (для выпуска фильтра)	1
011	P6H565	Переходник шланга	1
012	F6H189	Гаечный ключ (для воздушного клапана)	1
013	P6611	Переходник покрытия «А»	1
014	P61199	Манометр	1
015	P6H971	Клапан для накачивания воздуха	1
016	P61385	Гаечный ключ (для системы соляного хлоратора)	1
017	P61290	Заглушка (для впуска гидромассажных форсунок)	1
018	P4H125ASS17	Насос бассейна	1
019	P61334	Крышка	1
020	P61386	Гайка электролитического элемента	1
021	P61388	Уплотнительное кольцо электролитического элемента	1
022	P61387	Электролитический элемент	1
023	P61587	Заглушка спа-бассейна	2

ТЕХНИЧЕСКИЕ ХАРАКТЕРИСТИКИ LAY-Z-SPA™ PALM SPRINGS HYDROJET (#54144)

Вместимость:	4-6 взрослых	Система соленой воды:	20 Вт	Насос гидромассажных форсунок:	1.200 Вт
Объем бассейна:	795 л (210 галлонов)	Нагревательный элемент:	2.000 Вт при 20 °С	Фактический расход воды:	1.325 л/час (350 галлонов/час)
Размер в надутом состоянии:	1,96 м x 0,71 м (77 дюймов x 28 дюймов)	Насос:	50 Вт, циркуляционный фильтрующий насос	Номинальная мощность:	220-240 В перем. тока, 2.060 Вт при 20 °С
Вес в наполненном состоянии:	864 кг (1905 фунтов)	Максимальная температура:	40°C (104°F)	Рабочее давление:	1,2 psi (0,08 бар)
Повышенная скорость нагрева:	Приблизительно 1,5-2 °С/час (3-4 °F/час)	Гидромассажные форсунки:	8 шт.	Воздушный насос переменного тока:	110 Вт

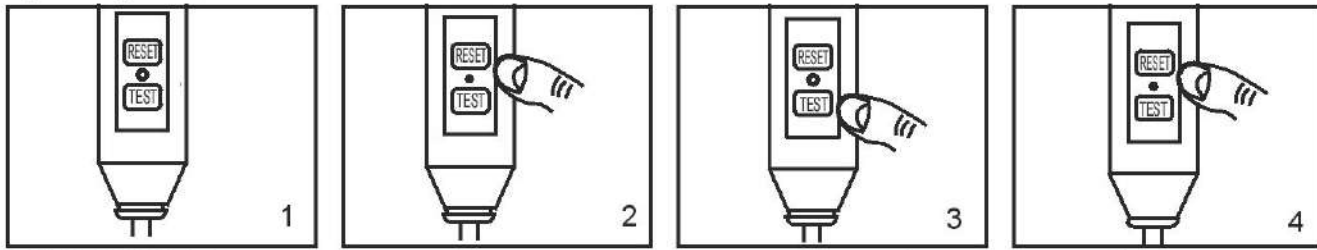
ПРИМЕЧАНИЕ. Приведенные выше данные о нагревании основываются на лабораторном тесте, проводившемся при температуре окружающей среды 25 °С (77 °F) и выше.



№ детали	Код детали	Описание	КОЛ-ВО
001	54144TASS17	Лайнер бассейна	1
002	F6414ASS16	Пряжка	6
003	P5532GASS17	Крышка из ледероида	1
004	54144GASS17	Надувное покрытие	1
005	58321(H)S15	Напольный коврик	1
006	P6653	Блок фильтра	1
007	58323	Картридж фильтра (VI)	2
008	58426S17	Поплавок для химических средств	1
009	P6575	Заглушка	1
010	P6H565	Переходник шланга	1
011	F6H189	Гаечный ключ (для воздушного клапана)	1
012	P61587	Заглушка спа-бассейна	2
013	P61199	Манометр	1
014	P6H971	Клапан для накачивания воздуха	1
015	P61385	Гаечный ключ (для системы соляного хлоратора)	1
016	P61290	Заглушка (для впуска гидромассажных форсунок)	1
017	P61330	Переходник шланга воздушного насоса переменного тока	1
018	P61329	Воздушный насос переменного тока	1
019	P61327	Шланг для накачивания	1
020	P61326	Ручной насос	1
021	P4H127ASS17	Насос бассейна	1
022	P61334	Крышка	1
023	P61386	Гайка электролитического элемента	1
024	P61388	Уплотнительное кольцо электролитического элемента	1
025	P61387	Электролитический элемент	1

Проверка насоса

Проверка PRCD



ПРИМЕЧАНИЕ. Схемы предназначены исключительно для иллюстрации. Они могут не отображать конкретное изделие. Схемы не отображают действительный масштаб.

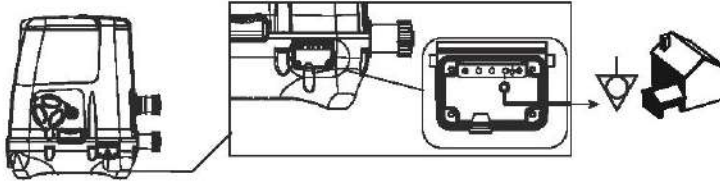
1. Вставьте штепсельную вилку.
2. Нажмите кнопку «RESET» (СБРОС); индикатор загорится.
3. Нажмите кнопку «TEST» (ПРОВЕРКА); индикатор погаснет.
4. Нажмите кнопку «RESET» (СБРОС); индикатор загорится.
5. Нажмите кнопку включения/выключения на 2 секунды; теперь насос готов к использованию.



ВНИМАНИЕ! Штепсельная вилка PRCD должна проверяться перед каждым использованием, чтобы избежать опасности поражения электрическим током.

ВНИМАНИЕ! Перед тем как вставить штепсельную вилку в розетку сети питания, убедитесь в том, что параметры тока в сети подходят для насоса.

ВНИМАНИЕ! Не пользуйтесь насосом, если результат проверки отрицательный, и обратитесь по этому поводу в пункт послепродажного обслуживания нашей компании.



ЭКВИПОТЕНЦИАЛЬНАЯ КЛЕММНАЯ КОЛОДКА НАСОСА БАССЕЙНА

Рекомендуется поручить подсоединение насоса для бассейна к заземляющему терминалу опытному электрику. Необходимо использовать прочный медный проводник диаметром (минимум) 2,5 мм².

СБОРКА

ВНИМАНИЕ! Выбранное место должно выдерживать ожидаемую нагрузку.

ВНИМАНИЕ! Должна быть предусмотрена соответствующая водосточная система для отвода переливающейся воды, как при установке бассейна внутри помещения, так и снаружи.

ПРИМЕЧАНИЕ. Только бассейн Hydro-Jet Pro имеет кнопку системы Lay-Z-Massage. При надувании вы заметите, что воздух вытесняется из области соединения воздушного шланга с насосом; это нормально и предотвращает повреждение вследствие слишком сильного надувания.

ПРИМЕЧАНИЕ. Запрещается использовать для надувания бассейна воздушный компрессор.

ПРИМЕЧАНИЕ. Не волочите бассейн по неровному грунту, это может привести к повреждению лайнера бассейна.

ПРИМЕЧАНИЕ. Время надувания дано ориентировочно.

ПРИМЕЧАНИЕ. Манометр предназначен только для целей надувания, а его показания служат только для справки. Его нельзя использовать как прецизионный инструмент.




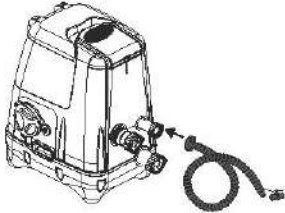
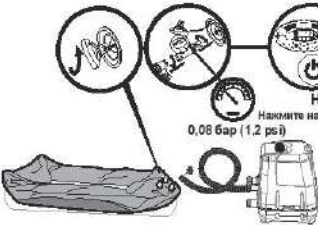


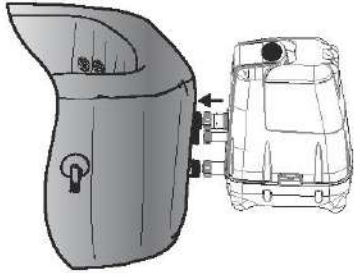
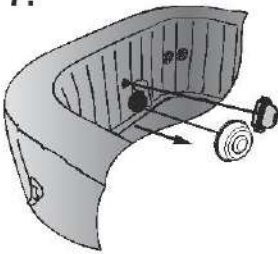
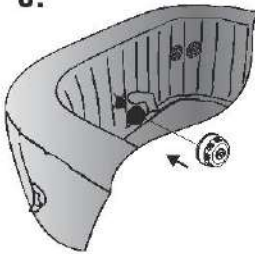
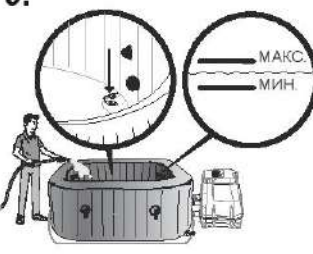

Проверка воздушного клапана

Всегда тщательно проверяйте воздушный клапан перед надуванием, чтобы убедиться в отсутствии утечки воздуха. Если воздушный клапан затянут неплотно, используйте входящий в комплект гаечный ключ, чтобы затянуть воздушный клапан. Следуйте следующим инструкциям: одной рукой удерживайте заднюю часть воздушного клапана изнутри стенки бассейна и поворачивайте гаечный ключ по часовой стрелке.

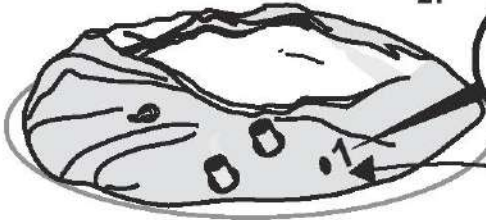
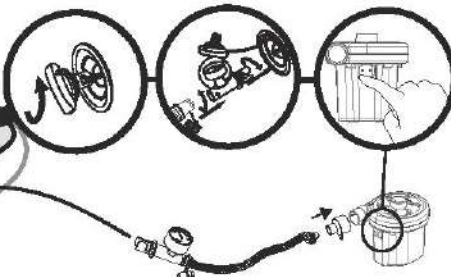
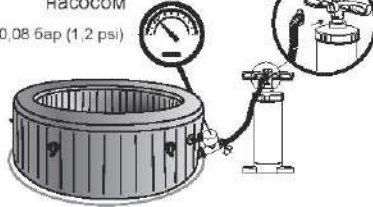

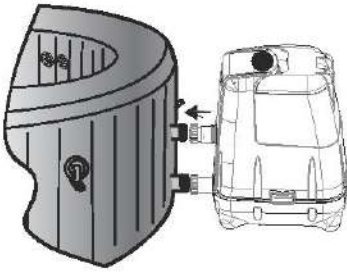
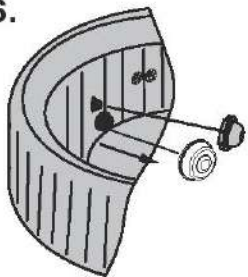
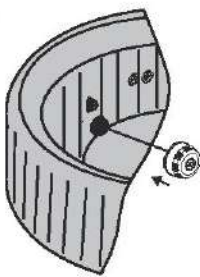
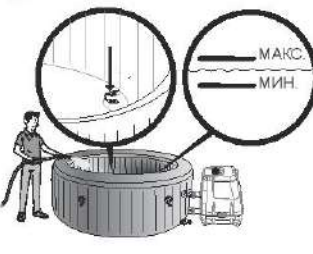

ПРИМЕЧАНИЕ

1. Не затягивайте слишком сильно.
2. Не следует регулировать соединитель воздушного клапана во время пользования бассейном.

СБОРКА HAWAII HYDROJET PRO (#54138)

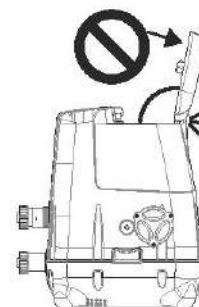
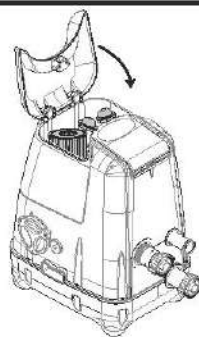
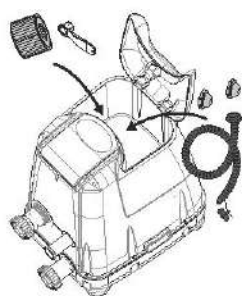
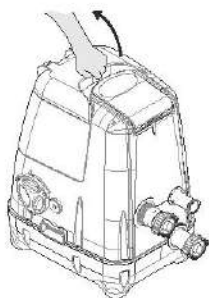
<p>1.</p> 	<p>2.</p> 	<p>3.</p>  <p>Надуйте в течение 5 мин. Нажмите на 2 секунды. 0,08 бар (1,2 psi)</p> <p>3 секунды до разблокировки</p> <p>Чтобы прекратить надувание.</p>	
<p>4.</p>  <p>Надуйте в течение 2 мин.</p>	<p>5.</p> 	<p>6.</p> 	
<p>7.</p> 	<p>8.</p> 	<p>9.</p>  <p>МАКС. МИН.</p>	<p>10.</p> 

СБОРКА PALM SPRINGS HYDROJET (#54144)

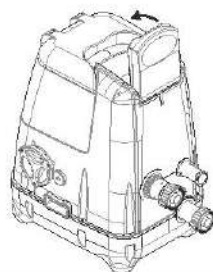
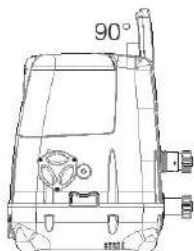
<p>1.</p> 	<p>2.</p> 	<p>Выполните предварительное надувание в течение 7 мин.</p> <p>Примечание. Время работы электродвигателя не должно превышать 20 минут.</p>	
<p>3. Продолжите надувание спа-бассейна ручным насосом 0,08 бар (1,2 psi)</p> 	<p>4.</p>  <p>Надуйте в течение 3 мин.</p>	<p>5.</p> 	
<p>6.</p> 	<p>7.</p> 	<p>8.</p>  <p>МАКС. МИН.</p>	<p>9.</p> 

ЭКСПЛУАТАЦИЯ

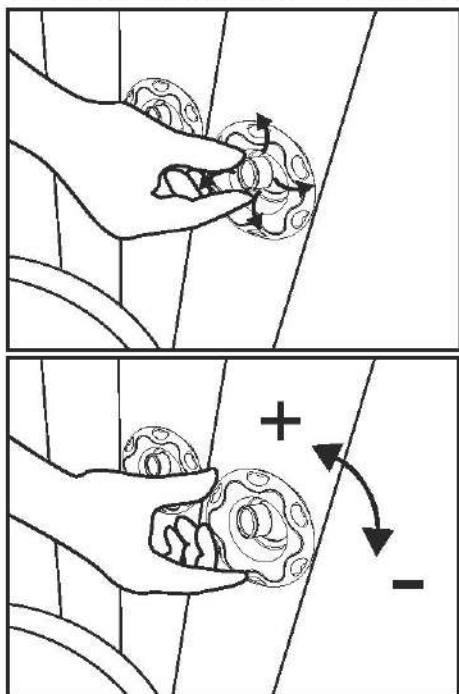
1.



2.



3. Регулировка гидромассажной форсунки



5. Сброс настроек нагревателя

При использовании бассейна Lay-Z-Spa впервые или после того, как он не использовался в течение длительного времени, нажмите на кнопку сброса настроек на насосе при помощи маленького тонкого предмета.

КНОПКА СБРОСА ВАЖНЫЕ ИНСТРУКЦИИ ПО ИСПОЛЬЗОВАНИЮ

Если значение температуры на панели управления (или температура воды) не изменились по прошествии 4-5 часов после включения системы подогрева, нажмите КНОПКУ СБРОСА с помощью тонкого предмета и перезапустите систему подогрева.

ВАЖНО! Система подогрева не будет работать, если температура наружного воздуха выше 40°C (104 °F), или если Lay-Z-Spa находится под прямыми солнечными лучами.

В этом случае, прежде чем нажимать тонким предметом КНОПКУ СБРОСА и перезапустить систему подогрева, дождитесь снижения температуры наружного воздуха. Это действие следует выполнять всегда, когда бассейн находится в вышеуказанных условиях.



4. Инструкция для системы соляного хлоратора

ПРИМЕЧАНИЕ. Чтобы воспользоваться системой соляного хлоратора, добавьте соль в воду, выполнив приведенные ниже действия.

- (1) Включите систему HydroJet, чтобы запустить циркуляцию воды.
- (2) При этом система соляного хлоратора должна быть выключена.
- (3) Постепенно добавьте 2 кг/4,4 фунта соли в спа-бассейн. Используйте только хлорид натрия (NaCl) с чистой минимум 99,9% или соляные гранулы для кондиционирования воды (спрессованная выпарная соль, на растворение которой требуется больше времени). Оставьте систему HydroJet поработать в течение 5 мин.
- (4) Когда соль растворится, включите систему соляного хлоратора и установите время ее работы (см. инструкцию для кнопки системы соляного хлоратора).

ПРИМЕЧАНИЕ. На время работы системы соляного хлоратора установите на место крышку бассейна.

❗ Добавьте соль, если уровень соли слишком низкий. Если добавлено недостаточно соли, на панели управления появляется код ошибки «E11».

- (1) Отсоедините бассейн от сети питания и подсоедините его снова. Затем нажмите кнопку «Reset» (Сброс).
- (2) Включите систему HydroJet.
- (3) Постепенно добавьте и дайте раствориться 0,5 кг/1,1 фунта соли.
- (4) Включите систему соляного хлоратора.
- (5) Если код «E11» остается, выполняйте вышеуказанные действия, пока код ошибки «E11» не исчезнет.

❗ Удалите соль, если уровень соли слишком высокий. Если добавлено слишком много соли, на панели управления появляется код ошибки «E10».

- (1) Отсоедините бассейн от сети питания.
- (2) Слейте и долейте примерно 20% воды.
- (3) Включите систему соляного хлоратора.
- (4) Если код «E10» остается, выполняйте вышеуказанные действия, пока код ошибки «E10» не исчезнет.

A Кнопка блокировки/разблокировки
Насос оснащен функцией автоматической блокировки через 5 минут. Когда насос заблокирован, свет индикатора потухнет (не активирована ни одна функция). Чтобы сбросить или разблокировать насос, нажмите кнопку «Сброс/разблокировка» и удерживайте в течение 3 секунд.

B Кнопка системы Lay-Z-Massage (для модели Hydro-Jet Pro)
Используйте эту кнопку для включения массажной системы, которая автоматически отключается через 30 минут использования. Индикатор над кнопкой массажной системы Lay-Z-Massage горит красным светом, когда система включена.

ВАЖНО! Не включайте массажную систему Lay-Z-Massage, когда бассейн накрыт защитным покрытием. Воздух может собраться внутри бассейна и причинить непоправимый вред защитному покрытию бассейна, а также телесные повреждения.
ПРИМЕЧАНИЕ. Системы подогрева и массажа работают вместе для создания ощущения теплого массажа.

C Кнопка системы HydroJet
Эта кнопка включает и выключает водяной насос. Индикатор над кнопкой системы HydroJet горит красным светом, когда насос включен.
ПРИМЕЧАНИЕ. Система выключится автоматически через 1 час.
ПРИМЕЧАНИЕ. Не включайте систему HydroJet без воды.

D Кнопка нагревателя
Используйте эту кнопку для включения нагревательной системы. Когда индикатор над кнопкой нагревателя горит красным светом, нагревательная система включена. Когда индикатор над кнопкой нагревателя горит зеленым светом, вода нагрета до указанной температуры, и нагревательная система находится в режиме ожидания.
ПРИМЕЧАНИЕ. Если на нагревательной системе включена фильтрующая система, включается автоматически.
ПРИМЕЧАНИЕ. При выключении нагревательной системы фильтрующая система продолжает работу.

E Кнопка фильтра воды
Эта кнопка включает и выключает фильтрующий насос. Индикатор над кнопкой фильтра воды горит красным светом, когда насос включен.
ПРИМЕЧАНИЕ. Встроенная функция обработки жесткой воды работает автоматически.

F Кнопка системы соляного хлоратора
Используйте эту кнопку для того, чтобы включить систему соляного хлоратора и задать продолжительность работы. Вы можете задать продолжительность работы от 3 часов до 5 часов и до 8 часов, нажав кнопку системы соляного хлоратора. После установив продолжительности работы система соляного хлоратора начнет работать автоматически.

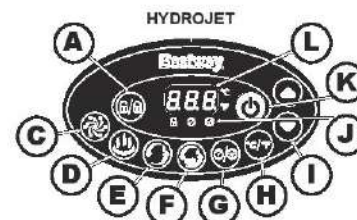
ПРИМЕЧАНИЕ. Во время процесса хлорирования не нажимайте никакие кнопки на панели и накройте бассейн крышей. Вы можете изменить продолжительность работы, нажав кнопку системы соляного хлоратора.
ПРИМЕЧАНИЕ. Регулярно проверяйте воду и поддерживайте уровень свободного хлора в ней между 2-4 мг/л.

G Инструкция по использованию кнопки энергосберегающего таймера
Эта новая функция, предназначенная для экономии электроэнергии за счет установки времени начала и продолжительности цикла нагрева воды в бассейне. Таким образом, вы можете воспользоваться бассейном в нужное вам время без необходимости держать нагреватель постоянно включенным.

ДЕЙСТВИЕ 1. Установите продолжительность нагрева.
1. Нажмите кнопку пока не начнет мигать индикатор.
2. Нажмите кнопку или для установки продолжительности нагрева (от 1 до 48 часов).
3. Снова нажмите кнопку или просто ничего не трогайте 10 секунд, чтобы подтвердить установку.

ДЕЙСТВИЕ 2. Установите количество часов ОТ НАСТОЯЩЕГО МОМЕНТА, когда начнет работать нагреватель.
1. После установив продолжительности нагрева индикатор начнет мигать.
2. Нажмите кнопку или для установки количества часов до начала работы (от 0 до 99 часов).
3. Снова нажмите кнопку или просто ничего не трогайте 10 секунд, чтобы подтвердить установку.

Индикатор начнет гореть ровным светом, и начнется обратный отсчет до включения нагревателя.
Для изменения настроек таймера: нажмите кнопку и используйте кнопки или , чтобы внести изменения.
Отмена установки: нажмите кнопку на 2 секунды.



ПРИМЕЧАНИЕ. После настройки экран будет показывать попеременно температуру воды в данный момент и время. **ПРИМЕЧАНИЕ.** Таймер настраивается (время работы в солнечный нагреватель) в диапазоне от 1 до 48 часов. Отсрочка включения (количество часов ОТ НАСТОЯЩЕГО МОМЕНТА до включения нагревателя) настраивается в диапазоне от 0 до 99 часов. Если таймер установлен на 0 часов, это означает, что функция таймера не включена. Обратите внимание, что таймер устанавливается на однократное использование: установка длительности цикла подогрева воды и количество часов от настоящего времени до начала этого цикла. Таймер НЕ повторит отсчет времени до сброса.

H Переключатель Цельсий/Фаренгейт
Температура может отображаться в градусах Цельсия или Фаренгейта.

I Кнопки регулирования температуры
При нажатии «Повысить температуру» или «Понизить температуру» индикатор будет мигать. Когда индикатор мигает, выберите нужную вам температуру. Если вы нажмете и будете удерживать эти кнопки, значение температуры быстро повысится или понизится. Новые настройки температуры останутся на дисплее LCD в течение 3 секунд, что позволит подтвердить новое значение.

ПРИМЕЧАНИЕ. Температура, настроенная по умолчанию, равна 35 °C (95 °F).
ПРИМЕЧАНИЕ. Температура настраивается в диапазоне от 20 °C (68 °F) до 40 °C (104 °F).

J Индикатор энергосберегающего таймера
Мигание этого индикатора означает, что вы устанавливаете продолжительность подогрева. Индикатор будет гореть ровно, когда начнется процесс подогрева. Мигание этого индикатора означает, что вы устанавливаете количество часов ОТ НАСТОЯЩЕГО МОМЕНТА до включения нагревателя. Если индикатор горит ровно, это означает, что энергосберегающий таймер включен.

K Кнопка включения/выключения
Чтобы активировать кнопки панели управления, нажмите эту кнопку и не отпускайте в течение 2 секунд; индикатор загорится зеленым светом. Нажмите эту кнопку и удерживайте в течение 2 секунд, чтобы выключить все активированные функции.

L Дисплей LCD
Включенный ЖК-дисплей автоматически отображает температуру воды в данный момент. Через 72 часа фильтрации (без использования функции энергосберегающего таймера) насос входит в режим ожидания, на экране будет попеременно отображаться слово «End» (Конец) и температура воды в данный момент. Когда насос находится в режиме ожидания, дунцики нагрева и фильтрации воды отключаются. Чтобы включить насос, нажмите кнопку блокировки/разблокировки и удерживайте ее в течение 3 секунд.

ПРИМЕЧАНИЕ. Скорость нагревания воды может изменяться при следующих условиях:
Когда температура окружающей среды ниже 15 °C (59 °F).
Когда бассейн не накрыт защитным покрытием при работающей нагревательной системе.
ПРИМЕЧАНИЕ. Чтобы отобразить температуру воды в данный момент, включите фильтрующую систему минимум на одну минуту. Температура воды, определенная внешним термометром, может отличаться от температуры воды на дисплее в связи с разным расположением этих ретельных приборов.

Аварийные сигналы

Состояния	Причины	Способы устранения
E01	Датчики расхода воды работают без нажатия кнопки фильтрации или подогрева.	1. Отсоедините насос от сети питания, ударьте по насосу, но не сильно; затем снова подсоедините насос к сети. 2. Обратитесь за помощью в ближайший пункт послепродажного обслуживания Bestway.
E02	После запуска или в процессе фильтрации и/или подогрева датчики расхода воды не обнаруживают потока воды.	1. Перед запуском нагревательной системы снимите два колпачка-заглушки. См. раздел «Сборка» в руководстве пользователя. 2. Извлеките фильтрующий блок из бассейна и нажмите кнопку фильтрации или подогрева. При отсутствии сигналов тревоги почистите или замените картриджи фильтра и снова установите на место фильтрующий блок. 3. Обратитесь за помощью в ближайший пункт послепродажного обслуживания Bestway.
E03	Термометр насоса показывает температуру воды ниже 4 °C (40 °F).	1. Бассейн не рассчитан на работу при температуре воды ниже 4 °C (40 °F). Отсоедините насос от сети питания и перезапустите его, когда температура воды достигнет 6 °C (43 °F). 2. Обратитесь за помощью в ближайший пункт послепродажного обслуживания Bestway.
E04	Термометр насоса показывает температуру воды выше 50 °C (122 °F).	1. Бассейн не рассчитан на работу при температуре воды выше 40 °C (104 °F). Отсоедините насос от сети питания и перезапустите его, когда температура воды будет 38 °C (100 °F) или ниже. ВАЖНО! Перед перезапуском насоса нажмите кнопку сброса насоса. 2. Обратитесь за помощью в ближайший пункт послепродажного обслуживания Bestway.
E05	Неполадки соединений термометра насоса.	1. Соединители термометра насоса не функционируют надлежащим образом. 2. Термометр насоса сломан. Обратитесь за помощью в ближайший пункт послепродажного обслуживания Bestway.
E08	Неисправность ручного сброса теплового выключателя.	Сработал ручной сброс теплового выключателя. 1. Отсоедините насос от сети питания и нажмите его кнопку сброса; затем снова подсоедините насос к сети. 2. Если аварийный сигнал не выключится, обратитесь к разделу «ИСПОЛКА СБРОСА» в руководстве пользователя. 3. Обратитесь за помощью в ближайший пункт послепродажного обслуживания Bestway.
E09	104 °C (219 °F) Отказ плавкого предохранителя.	Плавкий предохранитель отсоединен. Обратитесь за помощью в ближайший пункт послепродажного обслуживания Bestway.
E10	Сигнал о высоком уровне соли.	Добавлено слишком много соли, либо слишком много воды испарилось. 1. Следуйте инструкциям в разделе эксплуатации, чтобы удалить соль. 2. Обратитесь за помощью в ближайший пункт послепродажного обслуживания Bestway.
E11	Сигнал о низком уровне соли.	Недостаточно соли для дезинфекции. 1. Следуйте инструкциям в разделе эксплуатации, чтобы добавить соль в воду. 2. Обратитесь за помощью в ближайший пункт послепродажного обслуживания Bestway.
E12	Протечка воды внутри насоса.	Система обнаружила протечку воды внутри насоса. Обратитесь за помощью в ближайший пункт послепродажного обслуживания Bestway.
E13	Отсоединена сигнальная линия.	Сигнальная линия между панелью управления и блоком питания соединена не должным образом. Обратитесь за помощью в ближайший пункт послепродажного обслуживания Bestway.

ТЕХНИЧЕСКОЕ ОБСЛУЖИВАНИЕ

ПРИМЕЧАНИЕ. Время от времени в бассейн потребуется накачивать дополнительный воздух. Перепады дневных и ночных температур приводят к изменению давления воздуха внутри бассейна и могут вызвать его существенное сдувание. Следуйте инструкциям по сборке и слейте воду из бассейна, прежде чем надувать его до нужного давления. **ОСТОРОЖНО! ПРЕЖДЕ ЧЕМ ПРИСТУПАТЬ К ОБСЛУЖИВАНИЮ, ВЫ ДОЛЖНЫ УБЕДИТЬСЯ В ТОМ, ЧТО НАСОС ОТСОЕДИНЕН ОТ СЕТИ ПИТАНИЯ.**

Обслуживание картриджа фильтра

ПРИМЕЧАНИЕ. Чтобы вода бассейна всегда оставалась чистой, проверяйте и очищайте картриджи фильтров каждый день, следуя инструкциям, приведенным ниже.

ПРИМЕЧАНИЕ. Мы рекомендуем менять картриджи фильтра каждую неделю. Если же картриджи загрязнены или выцвели, их следует заменить.

Уход за водой в бассейне

Чтобы вода в бассейне была чистой, необходим ее химический баланс. Обычной чисткой картриджа фильтра достичь этого невозможно. Следуйте какой-либо из указанных ниже рекомендаций:



1. Регулярно пользуйтесь системой встроенного соляного хлоратора. Соленая вода проходит через электролитический элемент хлоратора, вырабатывая хлор, который сразу же растворяется в воде. Хлор начинает немедленно уничтожать бактерии, водоросли и окисляет другие органические материалы.

Во время первого использования рекомендуем установить время работы на 8 часов со свежей водой и воспользоваться тестовой полоской, чтобы убедиться, что уровень свободного хлора составляет 2-4 ч/млн. Если температура воды высокая или бассейн не накрыт, увеличьте время работы; при эксплуатации бассейна используйте систему хлоратора каждые 24 часа; время работы зависит от результатов тестирования и частоты использования бассейна.

ПРИМЕЧАНИЕ. При первом использовании системы хлоратора проверяйте концентрацию свободного хлора дважды в день. Когда концентрация свободного хлора стабилизируется, проверяйте раз в неделю, чтобы убедиться, что она находится в пределах 2-4 ч/млн.

ПРИМЕЧАНИЕ. Если концентрация свободного хлора превышает 4 ч/млн, бассейном пользоваться запрещено.

2. Используйте специальные химикаты для бассейнов, чтобы сохранить химический баланс воды, а также таблетки хлора или брома (но не гранулы) в плавающем хлораторе.

Использование таблеток химических средств (в комплект не входят)

(Ссылка: трихлоризоциануровая кислота 3-6 г)



Использование растворов химических средств (в комплект не входят)

(См. инструкции приобретенных жидких химикатов)



Воду следует менять примерно каждые 3 дня или реже при соответствующей обработке химическими средствами. Качество воды зависит от частоты использования бассейна, от людей, которые им пользуются, и от ухода за водой.

ПРИМЕЧАНИЕ. Мы советуем вам принять душ перед тем, как использовать бассейн Lay-Z-Spa. Косметика, лосьоны и прочие средства, оставшиеся на коже, могут быстро ухудшить качество воды.

ПРИМЕЧАНИЕ. Всегда доставайте ползавок для химических средств из бассейна, когда бассейн используется.

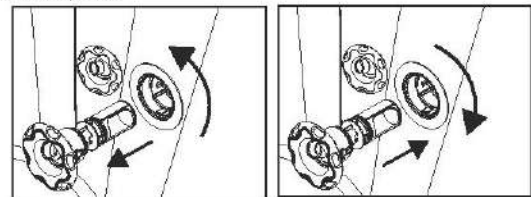
ВАЖНО! После того, как вы очистили воду с помощью химических средств, и перед использованием бассейна воспользуйтесь тестовым набором (не входит в комплект поставки), чтобы проверить химический состав воды. Мы советуем вам поддерживать воду в рамках значений, указанных в таблице.

pH	Общая щелочность	Свободный хлор
7,4-7,6	80-120 ч./млн.	2-4 ч./млн.

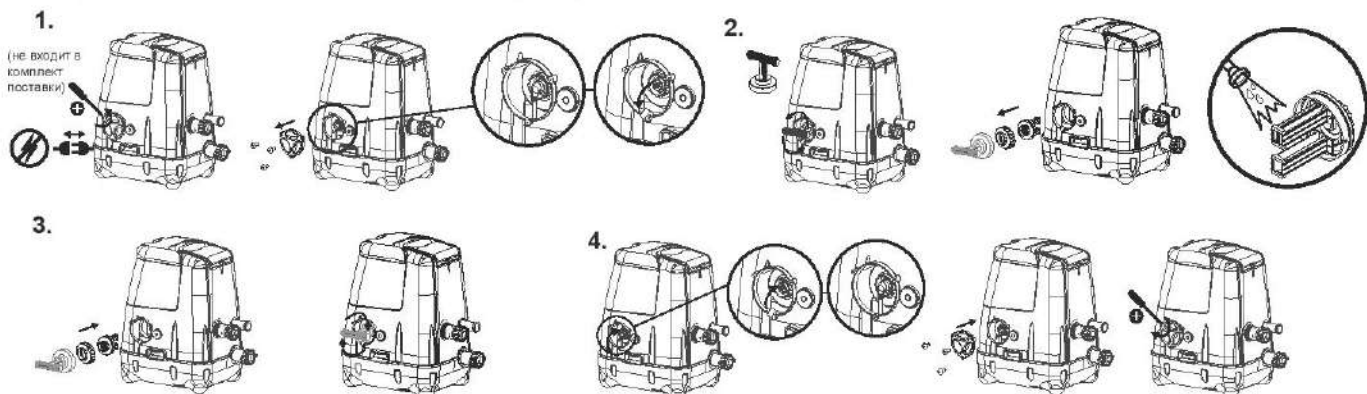
ПРИМЕЧАНИЕ. Ущерб, причиненный отличным от указанного выше химическим составом воды, не покрывается гарантией. Химические средства для очистки воды в бассейне потенциально ядовиты, применяйте их с осторожностью. Испарения химических веществ могут представлять собой серьезную опасность для здоровья, как и неправильно подписанные или неправильно хранящиеся контейнеры с химическими веществами. Обратитесь к вашему местному продавцу бассейнов, чтобы получить более подробную информацию касательно обработки воды химическими средствами. Строго выполняйте инструкции производителей химических средств. Ущерб, причиненный неправильным применением химических средств или неправильным уходом за водой бассейна, не покрывается гарантией.

Обслуживание гидромассажной форсунки

1. Поверните до щелчка и извлеките гидромассажную форсунку, чтобы очистить ее от мусора.
2. Вставьте и поверните по часовой стрелке, чтобы установить на место.



Обслуживание системы соляного хлоратора



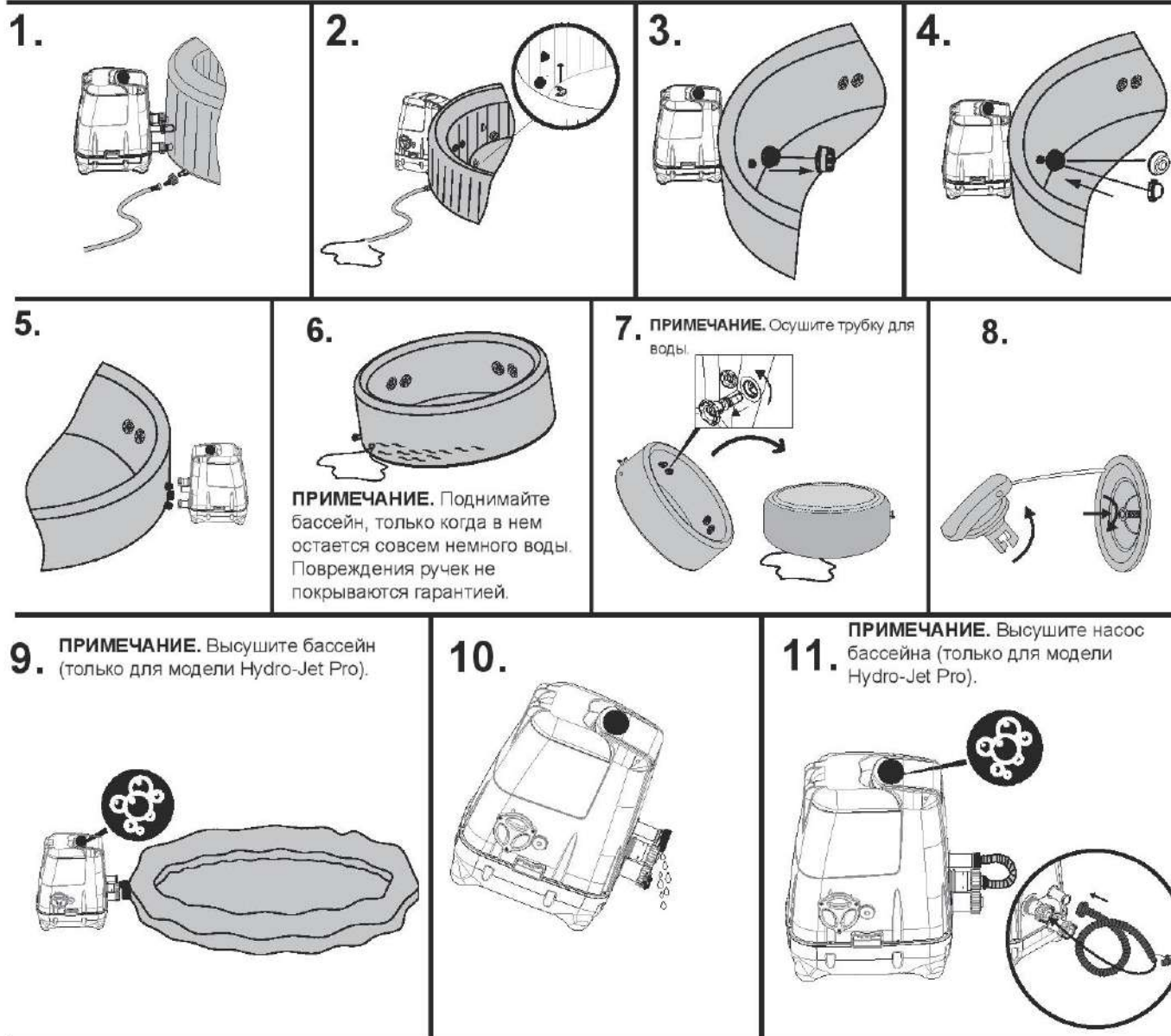
ПРИМЕЧАНИЕ. Если после мытья остаются отложения, установите электролитический элемент в емкость, налейте в нее кухонный уксус, оставьте в нем титановую пластину примерно на 4 часа, а затем снова промойте.

При необходимости повторите эту процедуру.

Слив воды из бассейна

ПРИМЕЧАНИЕ. Схемы предназначены исключительно для целей иллюстрации. Они могут не отображать конкретное изделие.

Схемы не отображают действительный масштаб.



Чистка бассейна Остатки чистящих средств и растворенные части твердых химикатов могут собираться на стенках бассейна. Используйте мыло и воду для того, чтобы очистить стены, и тщательно промойте их.

ПРИМЕЧАНИЕ. НЕ используйте жесткие щетки или абразивные чистящие средства.

Ремонт бассейна

Для надувного покрытия бассейна

В случае разрыва или прокола бассейна используйте ремонтную заплату, входящую в комплект.

1. Очистите область, нуждающуюся в ремонте.
2. Аккуратно отделите заплату.
3. Наложите заплату на область, требующую ремонта, и разгладьте.
4. Подождите 30 минут, затем накачивайте воздух.

Для лайнера бассейна

Если бассейн порван или проколот, возьмите входящую в комплект ремонтную заплату из ПВХ и клей (в комплект не входит) и выполните следующие действия:

1. Очистите и протрите насухо участок, нуждающийся в ремонте.
2. Отрежьте заплату из ПВХ нужного размера.
3. Покройте одну сторону вырезанной заплаты клеем (в комплект не входит). Убедитесь в том, что клей распределен равномерно.
4. Через 30 секунд наложите заплату с клеем на поврежденный участок.
5. Разгладьте заплату так, чтобы под ней не оставалось пузырьков воздуха, и крепко прижмите на две минуты.
6. Подождите 30 минут, затем накачивайте воздух.
7. Изделие снова готово к использованию. Если опять возникнет течь, повторите эту процедуру.

Хранение бассейна Lay-Z-Spa

Перед помещением на хранение убедитесь в том, что бассейн и насос полностью сухие. Это необходимо для того, чтобы продлить срок службы бассейна. Мы советуем использовать насос для того, чтобы высушить бассейн, насос и шланги. Выньте фильтрующие блоки и выбросьте использованные картриджи фильтров. Наденьте колпачки-заглушки на впускной и выпускной клапаны. Храните изделие в оригинальной упаковке в теплом сухом месте.

ПРИМЕЧАНИЕ. При воздействии температуры ниже нуля пластик становится хрупким и может сломаться. Замерзание может серьезно повредить бассейн. Неправильное зимнее хранение бассейна может аннулировать гарантию.



Значение символа перечеркнутого контейнера для отходов на колесах не утилизируйте электроприборы с несортированными коммунальными отходами, сдавайте их на специальные пункты сбора. За информацией о наличии пунктов сбора отходов обратитесь в местные органы власти. Если утилизировать электроприборы на мусоросборниках или свалках, опасные вещества могут протечь в грунтовые воды и попасть в пищевую цепочку, нанося вред вашему здоровью и благосостоянию. При замене старых электроприборов новыми продавец по закону обязан принять от вас старый электроприбор для утилизации, по меньшей мере, бесплатно.

УСТРАНЕНИЕ НЕИСПРАВНОСТЕЙ Компания Bestway делает все от нее зависящее, чтобы предоставить своим покупателям самые надежные бассейны на рынке. Если же вы все-таки столкнулись с проблемой, обязательно обратитесь к Bestway или к официальному дистрибьютору. Ниже вы найдете несколько советов, которые помогут вам обнаружить и исправить самые распространенные неисправности.

Неисправности	Возможные причины	Способы устранения
Насос не работает	<ul style="list-style-type: none"> - Нарушение электроснабжения - Обрыв цепи питания 	<ul style="list-style-type: none"> - Проверьте источник питания - Обратитесь за помощью в ближайший пункт послепродажного обслуживания Bestway
Насос не нагревает воду должным образом	<ul style="list-style-type: none"> - Температура настроена на слишком низкое значение - Загрязнен картридж фильтра - Тепловой выключатель отключает нагревание - Нагревающий элемент поврежден 	<ul style="list-style-type: none"> - Установите более высокую температуру нагревательной системы (см. раздел «Эксплуатация насоса») - Очистите/замените картридж фильтра (см. раздел «Чистка и замена картриджа фильтра») - Нажмите кнопку сброса на насосе (см. раздел «Эксплуатация насоса») - Обратитесь за помощью в ближайший пункт послепродажного обслуживания Bestway
Массажная система Lay-Z-Massage не работает	<ul style="list-style-type: none"> - Воздушный насос перегревается - Массажная система Lay-Z-Massage отключается автоматически - Воздушный насос сломан 	<ul style="list-style-type: none"> - Отсоедините насос от сети питания и подождите два часа, пока он охладится. Вставьте штепсельную вилку в розетку электросети и нажмите кнопку системы Lay-Z-Massage - Нажмите кнопку системы Lay-Z-Massage для повторного запуска - Обратитесь за помощью в ближайший пункт послепродажного обслуживания Bestway
Переходники насоса не находятся на одном уровне с переходниками бассейна	<ul style="list-style-type: none"> - Одной из характеристик ПВХ является изменение формы, что нормально 	<ul style="list-style-type: none"> - Приподнимите насос с помощью подставок из дерева или из изолированных материалов другого типа, чтобы переходники насоса находились на одном уровне с переходниками бассейна
Бассейн протекает	<ul style="list-style-type: none"> - Бассейн порван или проткнут - Воздушный клапан закручен неплотно 	<ul style="list-style-type: none"> - Воспользуйтесь ремонтной заплатой, входящей в комплект поставки - Погрузите воздушный клапан в мыльную воду, чтобы проверить, нет ли утечки воздуха. Если утечка есть, используйте входящий в комплект гаечный ключ, чтобы закрутить воздушный клапан. Выполните следующие инструкции: <ul style="list-style-type: none"> 1. Сдуйте бассейн. 2. Одной рукой удерживайте заднюю часть воздушного клапана изнутри стенки бассейна и поворачивайте гаечный ключ по часовой стрелке.
Вода загрязнена	<ul style="list-style-type: none"> - Недостаточное время фильтрации - Загрязнен картридж фильтра - Неправильный уход за водой - Система дезинфекции не работает - Титановая пластина имела отложения - Недостаточно времени для дезинфекции 	<ul style="list-style-type: none"> - Увеличьте время фильтрации - Очистите/замените картридж фильтра (см. раздел «Чистка и замена картриджа фильтра»). - См. инструкции производителей химических средств - Проверьте подключение к сети электропитания или обратитесь за помощью в ближайший пункт послепродажного обслуживания Bestway - Очистите титановую пластину (см. раздел «Обслуживание системы соляного хлоратора»).
Проверка PRCD прошла неудачно	Бассейн имеет дефект	Обратитесь за помощью в ближайший пункт послепродажного обслуживания Bestway и верните бассейн
Система HydroJet не работает	<ul style="list-style-type: none"> - Водяной насос перегревается - Водяной насос сломан 	<ul style="list-style-type: none"> - Отсоедините насос от сети питания и подождите два часа, пока он охладится. Подсоедините его к сети питания и повторите попытку - Обратитесь за помощью в ближайший пункт послепродажного обслуживания Bestway
Панель управления не работает	<ul style="list-style-type: none"> - Панель управления оснащена функцией автоматической блокировки, которая активируется после 5 минут бездействия. На ЖК-дисплее имеется значок: . Если светится значок блокировки, панель управления заблокирована. - Панель управления не включена 	<ul style="list-style-type: none"> - Чтобы разблокировать панель управления, нажмите и удерживайте кнопку  в течение 3 секунд - Если панель управления не разблокируется, перезапустите насос – отключите и снова подключите насос к сети. - Нажмите кнопку включения/выключения на 2 секунды. - Если проблему устранить не удалось, обратитесь для получения инструкций в местный центр послепродажного обслуживания Bestway.
Какие химикаты следует использовать для обработки воды?	Обратитесь к вашему местному продавцу химикатов, чтобы получить информацию об обработке воды. Строго выполняйте инструкции производителя химикатов.	
Вода протекает из переходников между насосом и бассейном	Вставьте три колпачка-заглушки в отверстия бассейна, чтобы не вытекала вода, и отсоедините насос. Проверьте и убедитесь в правильности установки уплотнений внутри переходников насоса. Если уплотнения отсутствуют или установлены неправильно, обратитесь для получения инструкций в местный центр послепродажного обслуживания Bestway. Если уплотнения имеются в наличии и установлены правильно, подсоедините насос к бассейну и затяните крепления переходников от руки.	

Ограниченная гарантия производителя от компании BESTWAY®

На приобретенное вами изделие распространяется ограниченная гарантия. Компания Bestway® гарантирует качество изделия и отсутствие дефектов изготовления; в противном случае компания обязуется его заменить.

Для подачи гарантийной рекламации следует заполнить данную форму и вместе с копией товарного чека/счета-фактуры направить в местный центр послепродажного обслуживания компании Bestway. Прежде чем направлять документы, просим обратиться в ближайший центр послепродажного обслуживания компании Bestway. Там вы получите полные инструкции о том, что необходимо для оформления претензии. Компания Bestway® не выполняет замену изделий, дефекты которых вызваны небрежным обращением или несоблюдением рекомендаций, содержащихся в руководстве пользователя.

Гарантия компании Bestway распространяется на дефекты изготовления, обнаруженные при распаковке изделия или во время эксплуатации в соответствии с рекомендациями, содержащимися в руководстве пользователя. Данная гарантия распространяется только на изделия, которые не подвергались изменениям со стороны третьих сторон. Изделие следует хранить и эксплуатировать в соответствии с техническими рекомендациями.

Гарантия не распространяется на ущерб, причиненный в результате неправильного и небрежного использования, включая (но не ограничиваясь этим) пожар, применение неправильного напряжения, перегрев, неправильную установку, неправильный монтаж проводки или испытания, а также ненадлежащее хранение.

Замены и ремонты не продлевают срок действия гарантии. Датой вступления гарантии в силу является дата продажи, указанная на оригинале товарного чека/счета-фактуры.

Выберите ваш тип бассейна



Palm Springs



Hawaii

КОМУ: Bestway® Service Department

Дата покупки: _____

ДАТА: _____

Номер кода клиента: _____

ФАКС/ЭЛЕКТРОННАЯ ПОЧТА/ТЕЛЕФОН: Используйте сведения для вашей страны, указанные на последней странице обложки или на нашем веб-сайте: www.bestwaycorp.com

Укажите ваш адрес полностью. **Примечание:** Неполный адрес может стать причиной задержки доставки.

Компания Bestway оставляет за собой право выставить счет за повторную пересылку посылок при неправильном указании отправителем адреса получателя.

НЕОБХОДИМАЯ ИНФОРМАЦИЯ – ВПИШИТЕ АДРЕС ДОСТАВКИ

ФИО: _____ Адрес: _____

Индекс: _____ Продавец: _____

Страна: _____ Город: _____

Мобильный телефон: _____ Телефон: _____

Факс: _____ Электронная почта: _____

Номер партии НАСОСА: _____ Номер партии бассейна: _____

Код изделия НАСОСА: _____



Все схемы выполняют исключительно иллюстративную функцию. Схемы не отображают действительный масштаб.

Описание проблемы

- Бассейн протекает
- Система фильтрации воды не работает
- Нагревательная система не работает
- Контрольная панель отображает поломку, которая не может быть устранена
- Массажная система Lay-Z-Massage не работает
- Насос протекает
- Переходник протекает
- Отсутствующие детали – просим использовать код недостающей детали, его можно найти в руководстве пользователя.
- Другое (просим описать)

ВАЖНО: БУДЕТ ВЫПОЛНЕНА ЗАМЕНА ТОЛЬКО ПОВРЕЖДЕННОГО КОМПОНЕНТА, А НЕ ВСЕГО КОМПЛЕКТА.

Компания Bestway оставляет за собой право запросить фотографические свидетельства дефектных компонентов либо потребовать выслать компонент для дополнительного тестирования.

В целях оказания вам максимальной помощи просим предоставлять полную информацию.

ЧТОБЫ ОЗНАКОМИТЬСЯ С РАЗДЕЛОМ ЧАСТО ЗАДАВАЕМЫХ ВОПРОСОВ, ПОСМОТРЕТЬ ВИДЕО ИЛИ ЗАКАЗАТЬ ЗАПАСНЫЕ ЧАСТИ ИЗДЕЛИЙ, ПОСЕТИТЕ НАШ ВЕБ-САЙТ www.bestwaycorp.com
ВИДЕО ДОСТУПНЫ ТАКЖЕ НА НАШЕМ КАНАЛЕ BESTWAY НА YOUTUBE: www.youtube.com/user/BestwayService

SPIS TREŚCI

1. Instrukcje dotyczące bezpieczeństwa	P133
2. Dane techniczne	P136
3. Montaż	P138
4. Użytkowanie	P140
5. Konserwacja	P142
6. Rozwiązywanie problemów	P144
7. Gwarancja	P145



INSTRUKCJE DOTYCZĄCE BEZPIECZEŃSTWA

Podczas montażu i użytkowania tego urządzenia elektrycznego należy zawsze stosować podstawowe środki ochronne, w tym:

WAŻNE INSTRUKCJE BEZPIECZEŃSTWA — PRZECZYTAĆ I POSTĘPOWAĆ ZGODNIE Z INSTRUKCJAMI.

OSTRZEŻENIE:

- Spa powinno być zasilane poprzez transformator izolujący lub wyłącznik różnicowoprądowy (RCD) o znamionowym resztkowym prądzie roboczym poniżej 30 mA.
- Pompę należy sprawdzać przed każdym użyciem. W tym celu należy wykonać czynności opisane w rozdziale „Test pompy” niniejszej instrukcji.
- Jeżeli przewód zasilania jest uszkodzony, dla bezpieczeństwa należy zlecić jego wymianę producentowi, serwisantowi lub innej wykwalifikowanej osobie.
- Aby ograniczyć ryzyko porażenia elektrycznego, nie wolno podłączać urządzenia do zasilania za pośrednictwem przedłużacza. Należy korzystać z odpowiednio umiejscowionego gniazdka.
- Podczas używania żadna część urządzenia nie może się znajdować nad lustrem wody.
- Części zawierające elementy pod napięciem, z wyjątkiem części zasilanych niskim napięciem nieprzekraczającym 12 V, muszą być niedostępne dla osób znajdujących się w spa. Części zawierające elementy elektryczne, z wyjątkiem urządzeń zdalnego sterowania, muszą być umieszczone lub zamontowane tak, aby nie mogły wpaść do wanny spa.
- Wtyczka pompy musi się znajdować w odległości powyżej 3,5 m od spa.
- Po montażu spa wtyczka musi być łatwo dostępna.

OSTROŻNIE: Aby uniknąć zagrożeń związanych z przypadkowym zresetowaniem wyłącznika termicznego, urządzenie nie może być zasilane za pośrednictwem zewnętrznego urządzenia włączającego/wyłączającego, takiego jak zegar, ani nie może być podłączone do obwodu regularnie włączanego i wyłączanego przez gestora sieci.

Po 3–5 latach eksploatacji spa należy skontaktować się z wykwalifikowanym technikiem w celu sprawdzenia systemu pod kątem bezpieczeństwa i wydajności. Główne elementy składowe urządzenia elektrycznego, takie jak element grzejny, silnik dmuchawy powietrza i zawory jednokierunkowe, powinny być sprawdzane i (w razie potrzeby) wymieniane przez fachowca.

Ostrzeżenie: Chronić wtyczkę przed zalaniem. Wkładanie mokrej wtyczki do gniazdka jest surowo zabronione.

Spa należy zasilac z instalacji elektrycznej z uziemieniem.

- **ABY UNIKNĄĆ PORAŻENIA ELEKTRYCZNEGO, NIE UŻYWAĆ SPA PODCZAS DESZCZU.**
- Podczas korzystania ze spa nie nosić soczewek kontaktowych.
- Nie korzystać ze spa podczas konserwacji z użyciem środków chemicznych.
- Źródło zasilania w ścianie budynku powinno znajdować się w odległości ponad 4 m od basenu i na wysokości co najmniej 1,2 m.
- Używanie przedłużaczy jest zabronione.
- Nie podłączać ani nie odłączać urządzenia mokrymi rękami.
- Urządzenie należy zawsze odłączać od zasilania:
 - w dni deszczowe,
 - przed czyszczeniem lub innymi pracami konserwacyjnymi,
 - przed pozostawieniem bez nadzoru na czas wakacji.
- Czyszczenie i konserwacja muszą być wykonywane przez osobę dorosłą w wieku powyżej 18. roku życia, która jest świadoma ryzyka porażenia elektrycznego.
- Jeżeli urządzenie nie będzie używane przez dłuższy czas, na przykład zimą, należy zdemontować zestaw spa lub basenowy i przechowywać wewnątrz budynku.
- **Ostrożnie:** Przed użyciem urządzenia oraz przed jego montażem lub demontażem należy przeczytać instrukcję.

- Instrukcję należy przechowywać w bezpiecznym miejscu. W razie braku instrukcji należy skontaktować się z producentem lub pobrać kopię ze strony www.bestwaycorp.com.
- **Ostrzeżenie: Dla bezpieczeństwa elektrycznego w przewodzie zasilania zainstalowano wyłącznik różnicowoprądowy. W przypadku wykrycia prądu upływowego powyżej 10 mA wyłącznik zadziała, odcinając zasilanie. W takiej sytuacji należy niezwłocznie odłączyć spa i zaprzestać jego używania. Nie resetować produktu samodzielnie. W celu sprawdzenia i naprawy urządzenia skontaktować się z przedstawicielem lokalnego punktu serwisowego.**
- Osoby (w tym dzieci) o ograniczonej sprawności fizycznej, sensorycznej i umysłowej oraz osoby nieposiadające dostatecznej wiedzy albo wystarczającego doświadczenia mogą korzystać z tego urządzenia tylko pod opieką osoby odpowiedzialnej za ich bezpieczeństwo lub pod warunkiem, że zostały odpowiednio poinstruowane przez taką osobę co do obsługi urządzenia. Dzieci należy pilnować, aby nie bawiły się urządzeniem (dla rynków innych niż UE).
- Dzieci powyżej 8. roku życia i osoby o ograniczonej sprawności fizycznej, sensorycznej i umysłowej oraz osoby nieposiadające dostatecznej wiedzy albo wystarczającego doświadczenia mogą korzystać z tego urządzenia tylko pod opieką lub pod warunkiem, że zostały poinstruowane o bezpiecznym sposobie używania urządzenia i zrozumiały zagrożenia związane z jego używaniem. Dzieci nie powinny bawić się urządzeniem. Czyszczenie i konserwacja nie powinny być wykonywane przez dzieci bez nadzoru (dla rynku UE).
- Dzieci chętnie bawią się w wodzie, dlatego po każdym użyciu spa należy zakładać pokrywę.
- Nie zakopywać przewodu. Przewód należy ułożyć w taki sposób, aby zminimalizować ryzyko jego uszkodzenia przez kosiarki, nożyce do żywopłotów czy inne urządzenia.
- Ryzyko utonięcia. Należy zachować szczególną ostrożność w celu uniemożliwienia dzieciom niedozwolonego dostępu do produktu. Aby zapobiec wypadkom, należy dopilnować, aby dzieci nie korzystały ze spa bez nadzoru.
- **RYZYKO OBRAZEN.** Nigdy nie uruchamiać spa w przypadku uszkodzenia lub braku rur dopływowych/odpływowych. Nigdy nie próbować samodzielnie wymieniać rur dopływowych/odpływowych. Zawsze zwracać się do centrum obsługi posprzedażnej.
- **RYZYKO PORAZENIA ELEKTRYCZNEGO.** Montować w odległości co najmniej 2 m od wszystkich powierzchni metalowych.
- **RYZYKO PORAZENIA ELEKTRYCZNEGO.** Osoby przebywające w spa lub mokre nie powinny nigdy obsługiwać żadnych urządzeń elektrycznych. Nigdy nie umieszczać żadnych urządzeń elektrycznych, takich jak lampy, telefony, odbiorniki radiowe czy telewizory, w odległości mniejszej niż 2 m od spa.
- Kobiety ciężarne powinny unikać długotrwałego przebywania w gorącej wodzie z uwagi na ryzyko uszkodzenia płodu. Jednorazowy pobyt w spa powinien być ograniczony do 10 minut.
- **ABY OGRANICZYĆ RYZYKO OBRAZEN:**
 - A. Temperatura wody w spa nie powinna nigdy przekraczać 40°C (104°F). Za bezpieczną dla zdrowej osoby dorosłej uznawana jest temperatura wody w zakresie od 38°C (100°F) do 40°C (104°F). Dla małych dzieci oraz w przypadku korzystania ze spa przez czas dłuższy niż 10 minut zalecane są niższe temperatury wody.
 - B. Ponieważ przebywanie w gorącej wodzie we wczesnych miesiącach ciąży wiąże się z dużym ryzykiem uszkodzenia płodu, kobiety ciężarne lub mogące być w ciąży powinny ograniczać temperaturę wody w spa do 38°C (100°F).
 - C. Przed wejściem do spa użytkownik powinien zmierzyć temperaturę wody za pomocą precyzyjnego termometru, ponieważ tolerancja regulatora temperatury wody jest zmienna.
 - D. Alkohol, substancje odurzające i leki spożyte przed skorzystaniem ze spa lub w trakcie korzystania ze spa mogą powodować utratę przytomności, a w konsekwencji utonięcie.
 - E. Osoby otyłe, osoby po przebytej chorobie serca, osoby z niskim lub wysokim ciśnieniem krwi, problemami związanymi z układem krążenia lub cierpiące na cukrzycę powinny przed skorzystaniem ze spa zasięgnąć porady lekarza.
 - F. Osoby przyjmujące leki przed skorzystaniem ze spa powinny zasięgnąć porady lekarza, ponieważ niektóre leki mogą powodować senność, a inne wpływać na tętno, ciśnienie krwi i krążenie.
- **ABY OGRANICZYĆ RYZYKO OBRAZEN:** Nigdy nie napełniać spa wodą o temperaturze przekraczającej 40°C (104°F).
- Spożywanie alkoholu, substancji odurzających lub leków może znacząco zwiększyć ryzyko zagrażającej życiu hipertermii. Hipertermia występuje w sytuacji, kiedy temperatura ciała człowieka przekracza o kilka stopni temperaturę normalną wynoszącą 37°C (98,6°F). Do objawów hipertermii należą: zwiększenie temperatury ciała, zawroty głowy, zmęczenie, senność i utrata przytomności. Skutki hipertermii obejmują niemożność postrzegania ciepła, niemożność rozpoznania konieczności wyjścia ze spa lub z wanny, nieświadomość nadchodzącego zagrożenia, uszkodzenie płodu u kobiet ciężarnych, fizyczną niemożność wyjścia ze spa lub wanny oraz utratę świadomości powodującą zagrożenie utonięciem.
- Instalacje elektryczne muszą być zgodne z krajowymi przepisami elektrycznymi. W przypadku jakichkolwiek wątpliwości zasięgnąć porady wykwalifikowanego elektryka.

ZASIĘGNAĆ PORADY LEKARZA.

OSTROŻNIE:

- Spa nie należy ustawiać ani pozostawiać w temperaturach poniżej 4°C (40°F).
- Nie używać spa w pojedynkę.
- Osoby cierpiące na choroby zakaźne nie powinny korzystać ze spa.
- Nie używać spa bezpośrednio po intensywnych ćwiczeniach fizycznych.
- Wchodzić i wychodzić do/ze spa ostrożnie i powoli. Mokre powierzchnie są śliskie.
- Aby uniknąć uszkodzenia pompy, nie należy uruchamiać spa, jeżeli nie jest napełnione wodą.
- W przypadku dyskomfortu lub poczucia senności należy natychmiast opuścić spa.
- Nigdy nie dolewać wody do środków chemicznych. Aby uniknąć gęstych oparów i gwałtownych reakcji grożących rozpryskiwaniem, zawsze należy dodawać środki chemiczne do wody.
- Informacje dotyczące czyszczenia, uzdatniania i usuwania wody podano w rozdziale „KONSERWACJA”.
- Informacje dotyczące montażu podano w kolejnym rozdziale niniejszej instrukcji.

UWAGA:

- Przed użyciem należy skontrolować urządzenia. W przypadku uszkodzenia lub braku części w zakupionym produkcie należy się skontaktować z biurem obsługi klienta Bestway pod adresem podanym w niniejszej instrukcji obsługi. Należy się upewnić, że elementy składowe są właściwe dla zakupionego modelu.
- Produkt ten nie jest przeznaczony do użytku komercyjnego.

OSTRZEŻENIA DOTYCZĄCE ELEKTRYCZNEJ POMPY POWIETRZA (dla modelu Palm Springs HydroJet):
Elektryczna pompa powietrza nie stanowi części spa. Ze względów bezpieczeństwa należy zapoznać się z instrukcją obsługi elektrycznej pompy powietrza.

Przedłużacza wykorzystywanego do pompy powietrza podczas pompowania basenu nie wolno używać do spa.

Po napompowaniu basenu pompę powietrza wraz z przedłużaczem należy odłączyć od zasilania i schować wewnątrz budynku.

Czas działania silnika nie powinien przekraczać 20 minut.

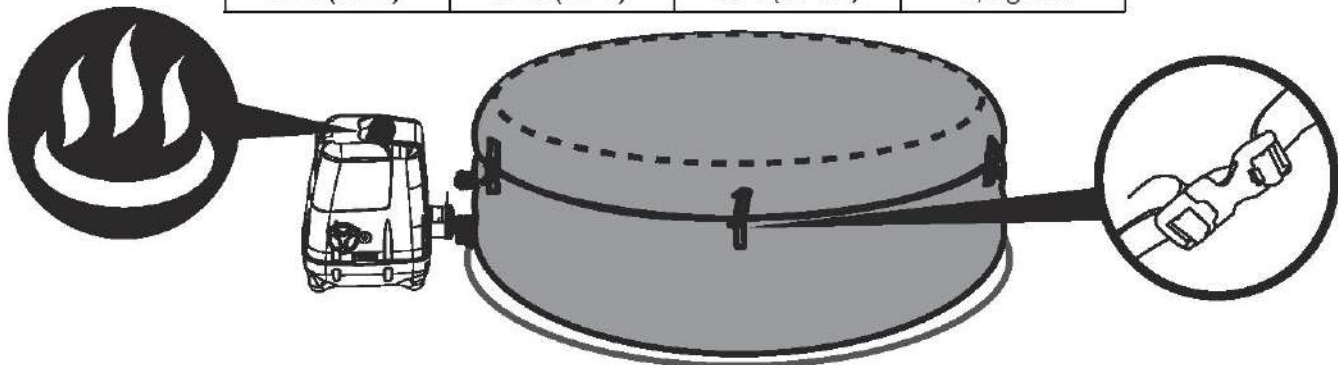
OSTROŻNIE: ABY UNIKNĄĆ RYZYKA PORAŻENIA ELEKTRYCZNEGO, NIE NARAŻAĆ URZĄDZENIA NA KONTAKT Z WODĄ ANI Z DESZCZEM. WYŁĄCZNIE DO UŻYTKU DOMOWEGO.

PROSIMY O ZACHOWANIE NINIEJSZEJ INSTRUKCJI.

WAŻNE!

Czas potrzebny na ogrzanie wody do 40°C (104°F) jest zależny od początkowej temperatury wody i temperatury otoczenia, a poniższe dane zostały podane wyłącznie orientacyjnie. W celu wyświetlenia bieżącej temperatury wody należy uruchomić system filtrowania na co najmniej jedną minutę.

Temperatura otoczenia	Temperatura wody	Ustawiona temperatura	Czas nagrzewania
10°C(50°F)	10°C(50°F)	40°C(104°F)	18,5 godz.
15°C(59°F)	15°C(59°F)	40°C(104°F)	15 godz.
20°C(68°F)	20°C(68°F)	40°C(104°F)	11,5 godz.
25°C(77°F)	25°C(77°F)	40°C(104°F)	8,5 godz.
30°C(86°F)	30°C(86°F)	40°C(104°F)	5,5 godz.

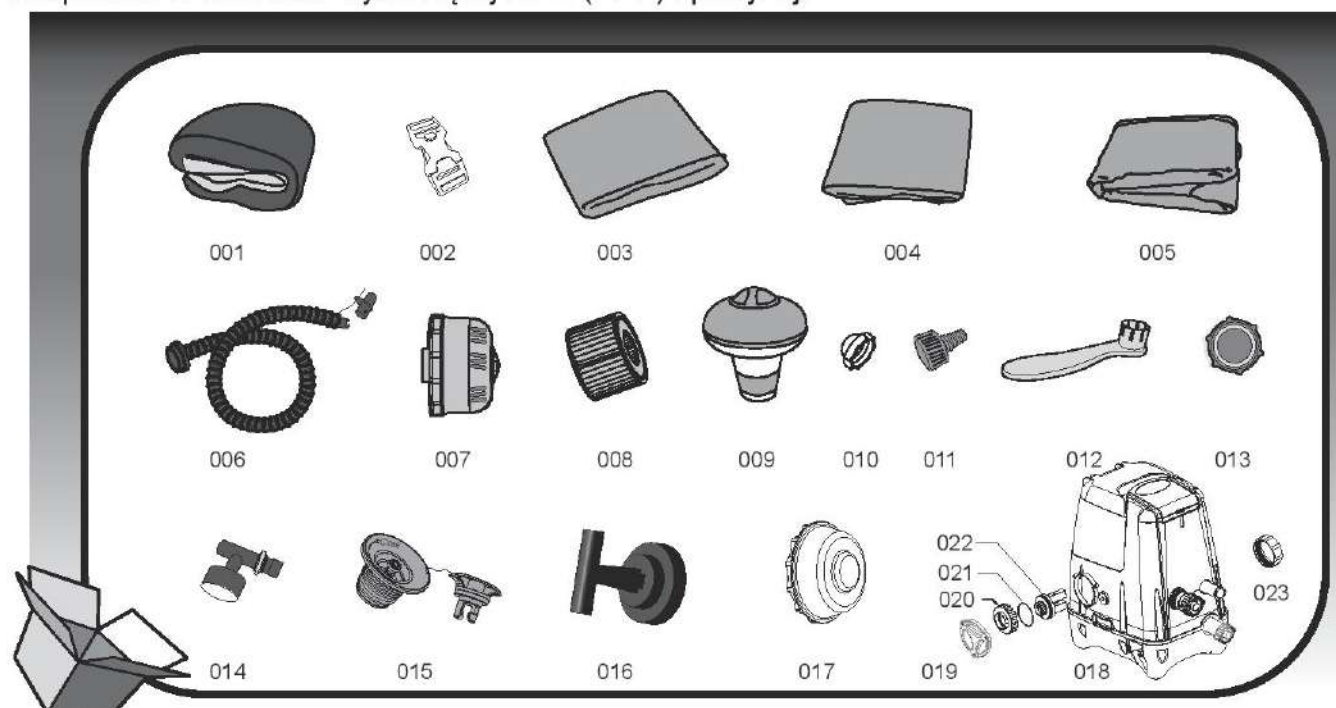


Podczas nagrzewania spa pamiętać o przykrywaniu go pokrywą.
Pozostawienie spa bez pokrywy spowoduje wydłużenie okresu ogrzewania.
Nie należy używać spa, jeżeli temperatura otoczenia jest niższa niż 4°C (39°F).

DANE TECHNICZNE LAY-Z-SPA™ HAWAII HYDROJET PRO (nr 54138)

Pojemność:	4–6 osób dorosłych	Dmuchawa do hydromasażu:	800 W	Pompa strumieniowa:	1200 W
Ilość wody:	795 L (210 gal)	Element grzewczy:	2.000 W przy 20°C	Rzeczywisty przepływ wody:	1.325 l/h (350 gal/h)
Wymiary po napompowaniu:	1,80 m x 1,80 m x 71 cm (71" x 71" x 28")	Pompa:	50 W, pompa obiegowa filtra	Prąd, moc:	220–240 VAC, 2.060 W przy 20°C
Masa po napełnieniu:	867 kg (1,911 Lb)	Wydajność termiczna:	40°C (104°F)	Ciśnienie robocze:	1,2 PSI (0,08 bar)
Zwiększona szybkość nagrzewania:	Ok. 1,5-2 °C/h (3-4 °F/h)	Dysze strumieniowe:	8 szt.	Układ słonej wody:	20 W

UWAGA: Powyższa szybkość nagrzewania jest oparta na teście w warunkach laboratoryjnych przy temperaturze otoczenia wynoszącej 25°C (77°F) i powyżej.

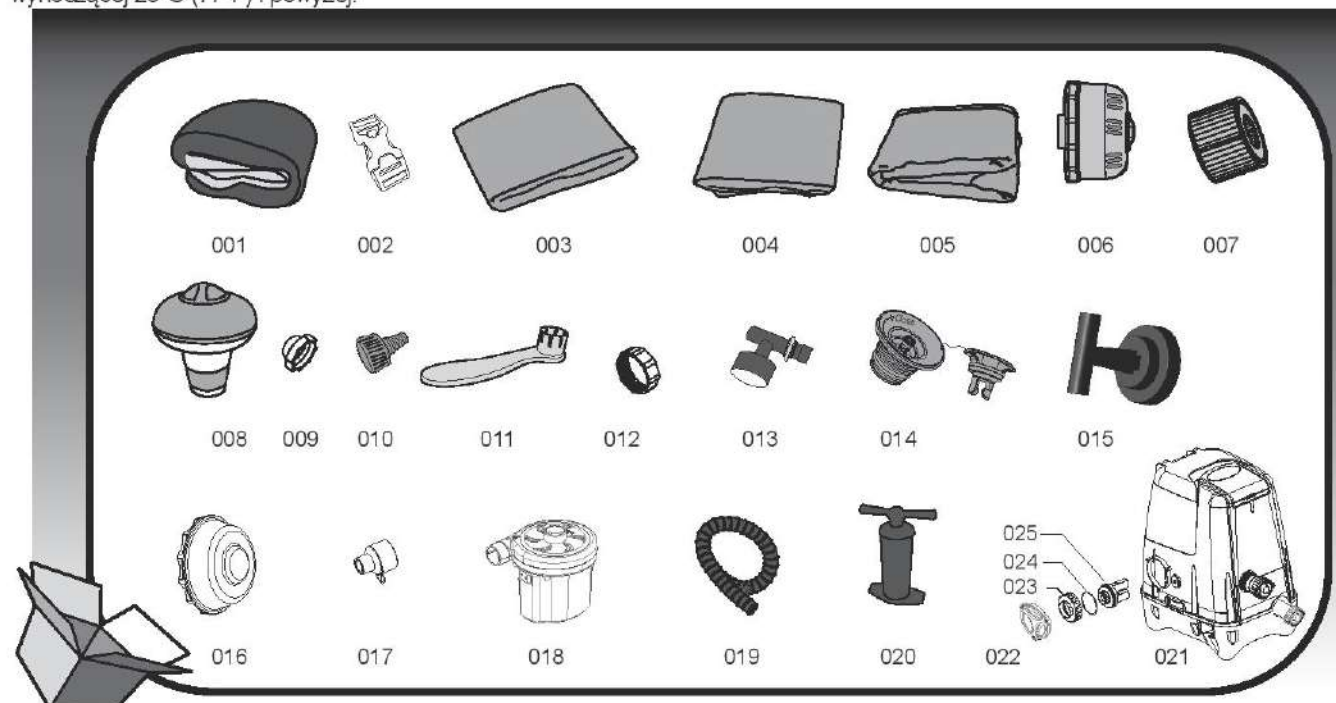


Nr części	Kod części	Opis	ILOŚĆ
001	54138TASS17	Wykładzina basenu	1
002	F6414ASS16	Klamra	8
003	P5511GASS17	Pokrywa skóropodobna	1
004	54138GASS17	Pokrywa nadmuchiwana	1
005	58371(H)S16	Mata podłogowa	1
006	P6930	Wąż do pompowania	1
007	P6653	Zestaw filtra	1
008	58323	Wkład filtra	2
009	58426S17	Pływak chemiczny	1
010	P6575	Korek (do wylotu filtra)	1
011	P6H565	Złącze węża	1
012	F6H189	Klucz (do zaworu powietrza)	1
013	P6611	Kolpak złącza A	1
014	P61199	Manometr	1
015	P6H971	Zawór pompowania	1
016	P61385	Klucz (do systemu chlorowania słonej wody)	1
017	P61290	Korek (do dopływu strumienia wody)	1
018	P4H125ASS17	Pompa spa	1
019	P61334	Zakrętka	1
020	P61386	Nakrętka ogniwa elektrolitycznego	1
021	P61388	Pierścień o-ring ogniwa elektrolitycznego	1
022	P61387	Ogniwo elektrolityczne	1
023	P61587	Korek basenu spa	2

DANE TECHNICZNE LAY-Z-SPA™ PALM SPRINGS HYDROJET (nr 54144)

Pojemność:	4–6 osób dorosłych	Układ słonej wody:	20 W	Pompa strumieniowa:	1200 W
Ilość wody:	795 L (210 gal)	Element grzewczy:	2.000 W przy 20°C	Rzeczywisty przepływ wody:	1.325 l/h (350 gal/h)
Wymiary po napompowaniu:	1,96 m x 71 cm (77" x 28")	Pompa:	50 W, pompa obiegowa filtra	Prąd, moc:	220–240 VAC, 2.060 W przy 20°C
Masa po napełnieniu:	864 kg (1.905 Lb)	Wydajność termiczna:	40°C (104°F)	Ciśnienie robocze:	1,2 PSI (0,08 bar)
Zwiększona szybkość nagrzewania:	Ok. 1,5-2 °C/h (3-4 °F/h)	Dysze strumieniowe:	8 szt.	Pompa powietrza AC:	110 W

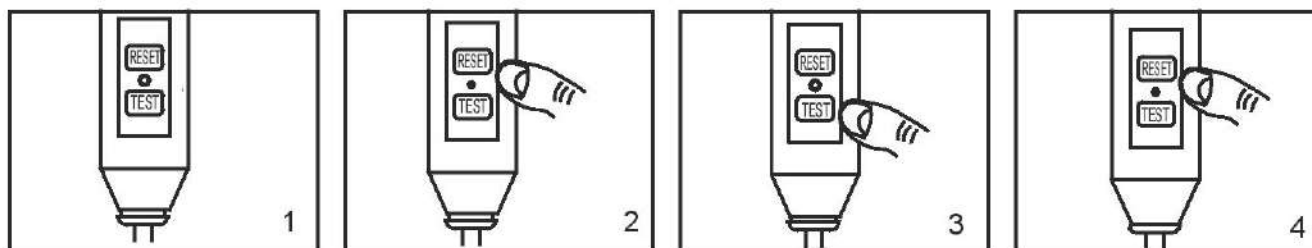
UWAGA: Powyższa szybkość nagrzewania jest oparta na teście w warunkach laboratoryjnych przy temperaturze otoczenia wynoszącej 25°C (77°F) i powyżej.



Nr części	Kod części	Opis	ILOŚĆ
001	54144TASS17	Wykładzina basenu	1
002	F6414ASS16	Klamra	6
003	P5532GASS17	Pokrywa skóropodobna	1
004	54144GASS17	Pokrywa nadmuchiwana	1
005	58321(H)S15	Mata podłogowa	1
006	P6653	Zestaw filtra	1
007	58323	Wkład filtra (VI)	2
008	58426S17	Pływak chemiczny	1
009	P6575	Korek	1
010	P6H565	Złącze węża	1
011	F6H189	Klucz (do zaworu powietrza)	1
012	P61587	Korek basenu spa	2
013	P61199	Manometr	1
014	P6H971	Zawór pompowania	1
015	P61385	Klucz (do systemu chlorowania słonej wody)	1
016	P61290	Korek (do dopływu strumienia wody)	1
017	P61330	Złącze węża pompy powietrza AC	1
018	P61329	Pompa powietrza AC	1
019	P61327	Wąż do pompowania	1
020	P61326	Pompa ręczna	1
021	P4H127ASS17	Pompa spa	1
022	P61334	Zakrętka	1
023	P61386	Nakrętka ogniwa elektrolitycznego	1
024	P61388	Pierścień o-ring ogniwa elektrolitycznego	1
025	P61387	Ogniwo elektrolityczne	1

Test pompy

Test wyłącznika różnicowoprądowego



UWAGA: Rysunki wyłącznie poglądowe. Mogą one nie odzwierciedlać rzeczywistego wyglądu produktu. Niewykonane w skali.

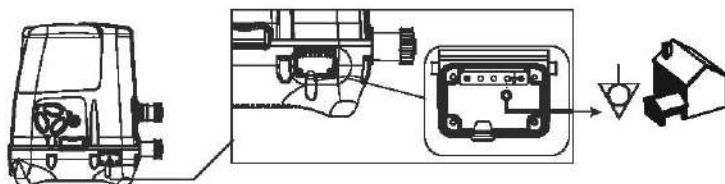
1. Włożyć wtyczkę.
2. Nacisnąć przycisk „RESET”. Włączy się zielona lampka sygnalizacyjna.
3. Nacisnąć przycisk „TEST”. Lampka sygnalizacyjna zgaśnie.
4. Nacisnąć przycisk „RESET”. Włączy się zielona lampka sygnalizacyjna.
5. Nacisnąć wyłącznik i przytrzymać przez 2 sekundy. Pompa jest gotowa do użycia.



OSTRZEŻENIE: W celu uniknięcia porażenia elektrycznego przed każdym użyciem należy sprawdzać wtyczkę wyłącznika różnicowoprądowego.

OSTRZEŻENIE: Przed włożeniem wtyczki do gniazda należy się upewnić, że prąd znamionowy w gnieździe jest odpowiedni dla pompy.

OSTRZEŻENIE: Jeżeli test zakończy się niepowodzeniem, nie używać pompy i skontaktować się z naszym serwisem posprzedażnym.



ZACISK WYRÓWNYWANIA POTENCJAŁÓW POMPY SPA

Zaleca się zlecenie uziemienia profesjonalnemu elektrykowi. Pompę SPA należy podłączyć do zacisku uziemiającego z jednożyłowym przewodem miedzianym o przekroju nie mniejszym niż 2,5 mm².

MONTAŻ

OSTRZEŻENIE: Podłoże wybranej lokalizacji musi mieć wytrzymałość odpowiednią do przeniesienia oczekiwanych obciążeń.

OSTRZEŻENIE: W przypadku instalacji zarówno wewnętrznych, jak i zewnętrznych należy zapewnić odpowiednie odwodnienie, które może przyjąć przelewającą się wodę.

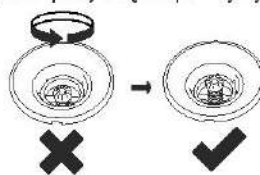
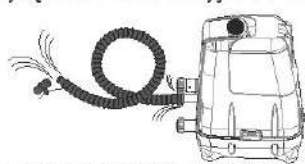
UWAGA: W przycisk systemu masażu Lay-Z-Massage wyposażony jest wyłącznie model Hydro-Jet Pro spa. Podczas pompowania z połączenia węża powietrza i pompy będzie się wydostawało powietrze. Jest to normalne zjawisko zapobiegające uszkodzeniu na skutek nadmiernego napompowania.

UWAGA: Do pompowania basenu nie używać sprężarki.

UWAGA: Nie przeciągać basenu po podłożu, ponieważ może to spowodować uszkodzenie jego wykładziny.

UWAGA: Czas pompowania został podany wyłącznie orientacyjnie.

UWAGA: Manometr został zainstalowany wyłącznie na potrzeby pompowania, a wskazywane wartości są wyłącznie orientacyjne. Nie należy traktować manometru jako przyrządu precyzyjnego.

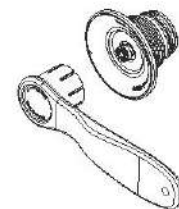
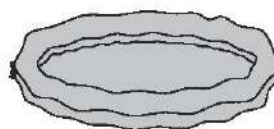


Sprawdzanie zaworu powietrza

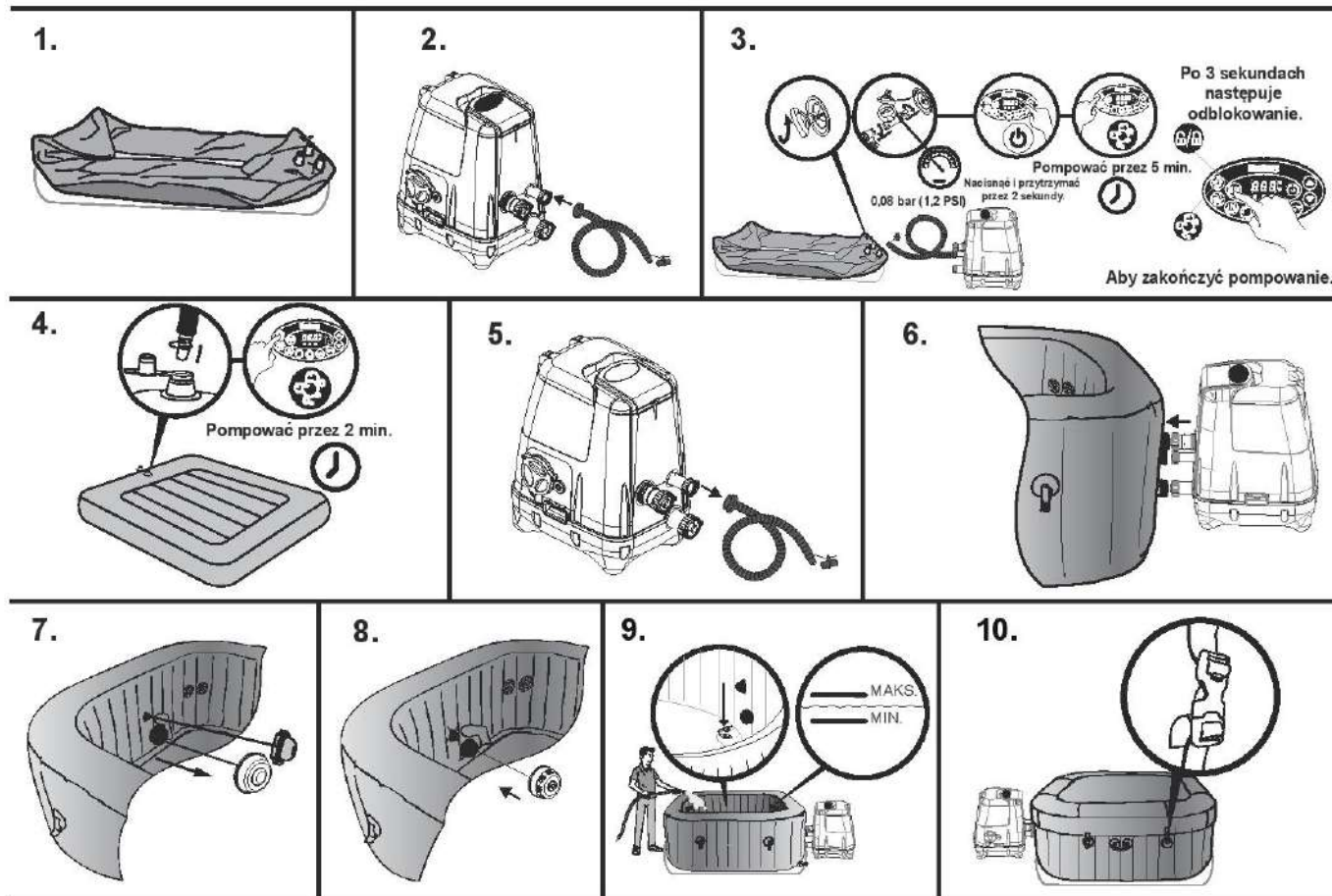
Przed rozpoczęciem pompowania należy uważnie sprawdzić, czy zawór powietrza jest szczelny. Jeżeli zawór powietrza jest nieszczelny, należy dokręcić go za pomocą dostarczonego klucza, wykonując poniższe czynności. Jedną ręką przytrzymać tylną część zaworu od wewnętrznej strony ścianki spa, a drugą ręką obracać klucz w kierunku zgodnym z ruchem wskazówek zegara.

UWAGA:

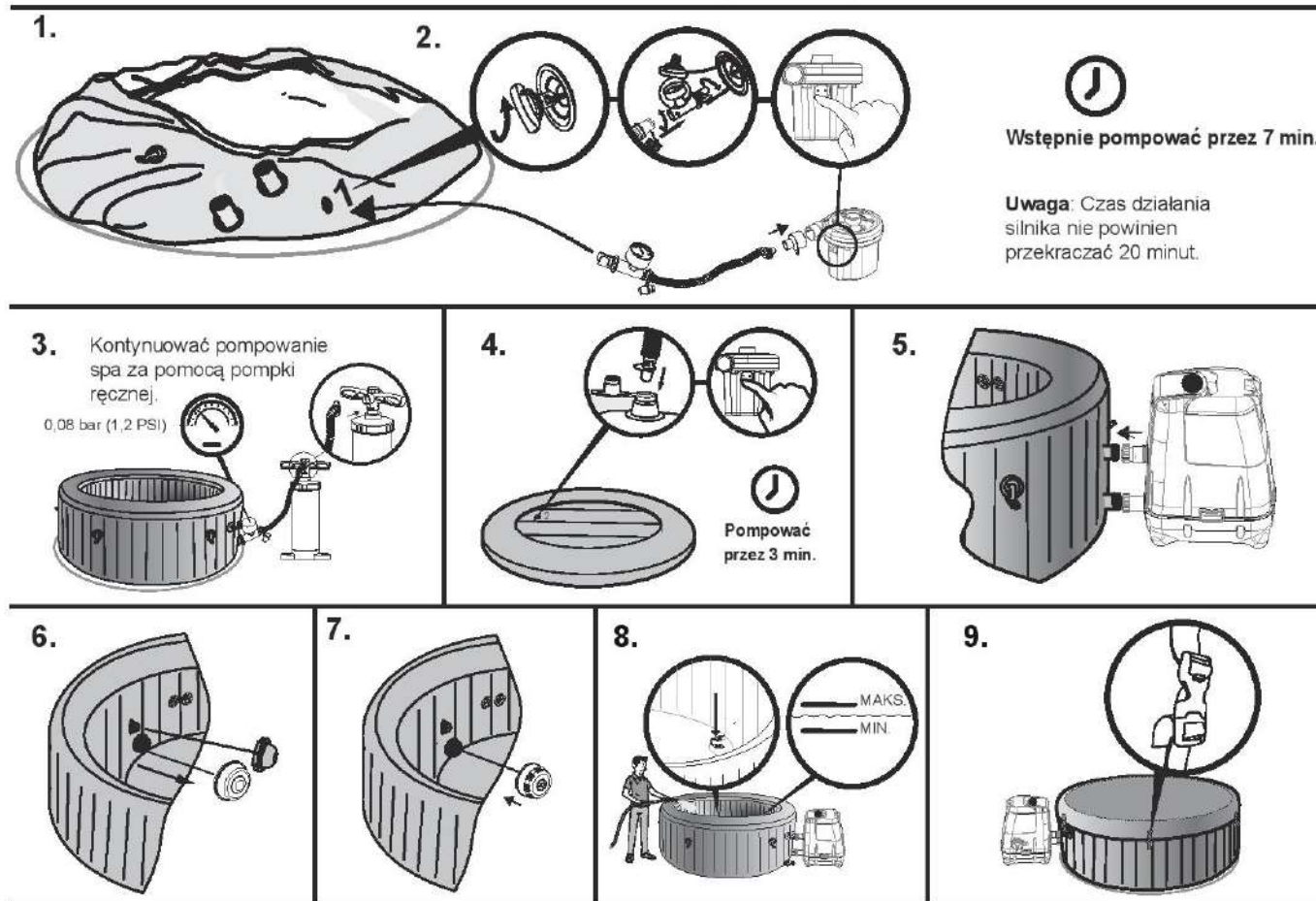
1. Nie dokręcać zbyt mocno.
2. Nie regulować złącza zaworu powietrza, kiedy spa jest w użyciu.



MONTAŻ MODELU HAWAII HYDROJET PRO (nr 54138)

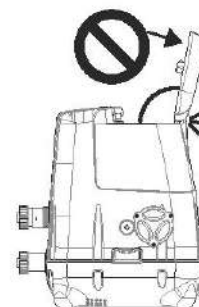
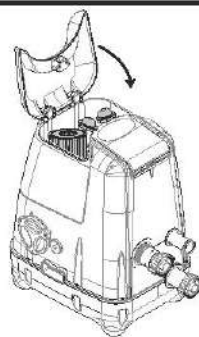
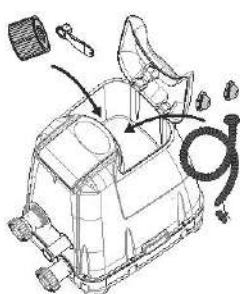
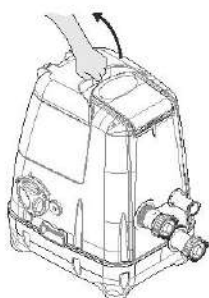


MONTAŻ MODELU PALM SPRINGS HYDROJET (nr 54144)

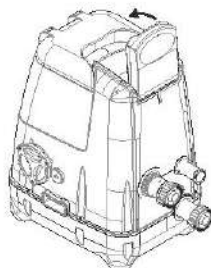
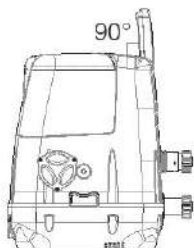
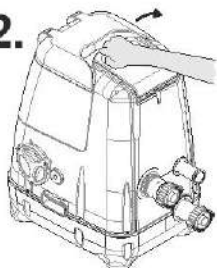


UŻYTKOWANIE

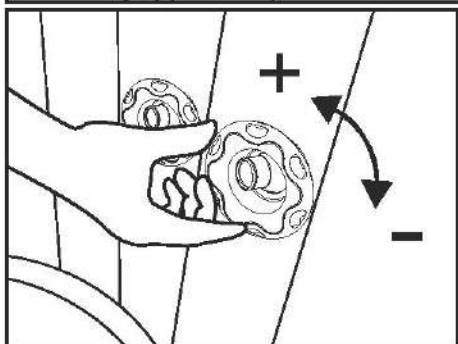
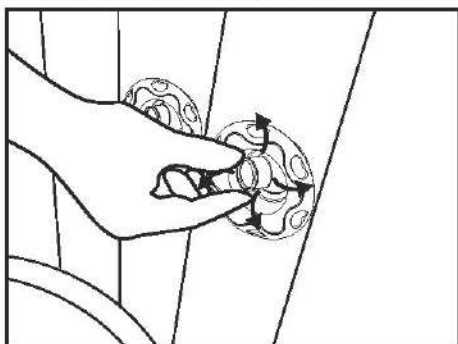
1.



2.

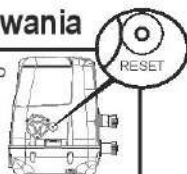


3. Regulacja dyszy strumieniowej



5. Resetowanie podgrzewania

Przed pierwszym użyciem Lay-Z-Spa lub po długim okresie nieużywania należy za pomocą niewielkiego cienkiego przedmiotu nacisnąć przycisk reset na pompie.



PRZYCISK RESET WAŻNE ZASADY OBSŁUGI

Jeżeli temperatura na panelu sterowania (lub temperatura wody) nie zmienia się w ciągu 4-5 godzin od włączenia podgrzewania, za pomocą cienkiego przedmiotu nacisnąć PRZYCISK RESET i ponownie włączyć podgrzewanie.

WAŻNE: Podgrzewanie nie będzie działać, jeżeli temperatura zewnętrzna jest wyższa niż 40°C (104 °F) lub jeżeli Lay-Z-Spa wystawiono na bezpośrednie działanie promieni słonecznych.

W takiej sytuacji, przed naciśnięciem cienkim przedmiotem PRZYCISKU RESET w celu zresetowania systemu podgrzewania, należy zaczekać na chłodniejszą porę dnia. Czynność tę należy powtarzać za każdym razem, kiedy pompa została wystawiona na opisane powyżej warunki.

4. Obsługa systemu chlorowania słonej wody

UWAGA: Aby skorzystać z systemu chlorowania słonej wody, należy dodać soli w sposób podany poniżej.

- (1). Włączyć system HydroJet, aby uruchomić obieg wody.
- (2). Nie włączać systemu chlorowania słonej wody.
- (3). Stopniowo wsypać do spa ok. 2 kg/4,4 lbs soli.

Używać wyłącznie chlorku sodu (NaCl) o czystości co najmniej 99,9% lub granulek soli przeznaczonych do uzdatniania wody (zbite grudki soli odparowanej, które wymagają dłuższego rozpuszczania). Utrzymywać działanie systemu HydroJet przez 5 min.

- (4). Po rozpuszczeniu całej soli włączyć system chlorowania słonej wody i ustawić czas pracy (patrz instrukcja korzystania z przycisku systemu chlorowania słonej wody).

UWAGA: Na czas chlorowania słonej wody należy założyć pokrywę spa.

⚠️ Jeżeli poziom zasolenia jest zbyt niski, dosypać soli.

W przypadku dodania zbyt małej ilości soli na panelu wyświetlany jest kod usterki „E11”.

- (1). Odłączyć spa, a następnie podłączyć ponownie i nacisnąć przycisk „Reset”.
- (2). Włączyć system HydroJet.
- (3). Stopniowo wsypać i rozpuścić 0,5 kg/1,1 lbs soli.
- (4). Uruchomić system chlorowania słonej wody.
- (5). Jeżeli kod „E11” nie znika, powtarzać powyższe kroki.

⚠️ Jeżeli poziom zasolenia jest zbyt wysoki, należy go obniżyć

W przypadku dodania zbyt dużej ilości soli na panelu pojawi się kod błędu „E10”.

- (1). Odłączyć spa.
- (2). Wylać i ponownie uzupełnić ok. 20% wody.
- (3). Uruchomić system chlorowania słonej wody.
- (4). Jeżeli kod „E10” jest nadal wyświetlany, powtarzać powyższe kroki do momentu jego zniknięcia.

- A** Przycisk blokowania/odblokowania
Pompa jest wyposażona w 5-minutową blokadę automatyczną. Kiedy pompa jest zablokowana (i żadna funkcja nie jest włączona), światło diod LED przyciemni. Blokada nie i odblokowanie pompy odbywa się poprzez naciśnięcie i przytrzymanie przycisku przez 3 sekundy.
- B** Przycisk systemu masażu Lay-Z-Massage (w modelu Hydro-Jet Pro)
Przycisk służy do uruchamiania systemu masażu, który wyłącza się automatycznie po 30 minutach. Działanie systemu jest potwierdzone włączeniem się czerwonej lampki nad przyciskiem systemu Lay-Z-Massage.
- WAŻNE:** Nie uruchamiaj systemu masażu Lay-Z-Massage, jeżeli założona jest pokrywa spa. Może to skutkować gromadzeniem się pod pokrywą powietrza i spowodowaniem nieodwracalnych uszkodzeń i pokrzywy lub obrażeń ciała.
- UWAGA:** System podgrzewania i masażu działają wspólnie w celu zapewnienia masażu ciepłą wodą.

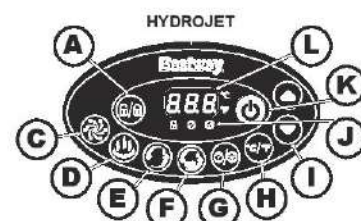
- C** Przycisk systemu HydroJet
Przycisk ten służy do włączania i wyłączania pompy wody. Działanie systemu jest potwierdzone włączeniem się czerwonej lampki nad przyciskiem systemu HydroJet.
- Uwaga:** System wyłącza się samoczynnie po 1 godzinie.
Uwaga: Nie uruchamiać systemu HydroJet na sucho.

- D** Przycisk podgrzewania
Przycisk ten służy do włączania i wyłączania podgrzewania. Działanie podgrzewania sygnalizowane jest świeceniem się czerwonej lampki nad przyciskiem. Zielony kolor lampki oznacza, że zadana temperatura wody została osiągnięta i podgrzewanie jest wyłączone.
- UWAGA:** Włączenie podgrzewania powoduje automatyczne włączenie systemu filtrującego.
UWAGA: Wyłączenie podgrzewania nie powoduje wyłączenia systemu filtrującego.

- E** Przycisk filtra wody
Przycisk ten służy do włączania i wyłączania pompy filtrującej. Działanie pompy sygnalizowane jest świeceniem się czerwonej lampki nad przyciskiem.
- UWAGA:** Wbudowany system uzdatniania twardej wody działa automatycznie.

- F** Przycisk systemu chlorowania słonej wody
Przycisk ten służy do uruchamiania systemu chlorowania słonej wody i ustawiania czasu działania. Za pomocą przycisku systemu chlorowania słonej wody można ustawić czas 3 godz., 5 godz. lub 8 godz. Po ustawieniu czasu działania system chlorowania słonej wody włącza się automatycznie.
- UWAGA:** Podczas chlorowania nie naciskaj żadnych przycisków na panelu i założycie pokrywę spa. Czas działania można regulować za pomocą przycisku systemu chlorowania słonej wody.
- UWAGA:** Regularnie sprawdzaj wodę w celu upewnienia się, że poziom wolnego chloru wynosi 2-4 ppm.

- G** INSTRUKCJE UŻYWANIA Przycisku zegara oszczędzającego energię
Jest to nowa funkcja, która pomaga uniknąć strat energii poprzez ustawianie godzinny rozpoczęcia oraz czasu trwania cyklu grzewczego spa. Dzięki niej można korzystać ze spa w dowolnym momencie bez konieczności pozostawiania włączonego podgrzewacza.
- KROK 1:** Ustawić czas trwania podgrzewania.
- Naciśnij przycisk i przytrzymaj go do momentu, aż dioda zacznie migać.
 - Za pomocą przycisków i ustawić czas trwania podgrzewania (od 1 do 48 godz.).
 - Ponownie naciśnij przycisk , aby potwierdzić czas trwania podgrzewania.
- KROK 2:** Ustawić liczbę godzin, po której podgrzewacz zostanie wyłączony, licząc OD TERAZ.
- Po ustawieniu czasu trwania podgrzewania dioda zacznie migać.
 - Za pomocą przycisków i ustawić liczbę godzin pozostałych do momentu włączenia (od 0 do 99 godz.).
 - Aby potwierdzić ustawienia, ponownie naciśnij przycisk lub nie naciskaj żadnego przycisku przez 10 sekund. Dioda zacznie świecić ciągle i rozpocznie się odliczenie do włączenia podgrzewacza.
- Zmiana ustawień zegara:** Naciśnij przycisk i wykonać ustawienia za pomocą przycisków lub .
- Anulowanie ustawień:** Naciśnij przycisk i przytrzymaj przez 2 sekundy.



- UWAGA:** Po zapisaniu ustawień na ekranie napięciem miga aktualna temperatura i czas.
UWAGA: Zakres regulacji zegara (czasu, przez jaki podgrzewacz będzie włączony) wynosi od 1 do 48 godzin. Zakres regulacji opóźnienia ogrzewania (liczby godzin, po której podgrzewacz zacznie pracować, licząc OD TERAZ) wynosi od 0 do 99 godzin. Jeżeli wybrano ustawienie 0 godzin, będzie to oznaczało, że funkcja zegara nie jest ustawiona.
- Funkcja zegara działa jednorazowo — użytkownik ustawia czas trwania cyklu grzewczego oraz liczbę godzin, po której cykl się rozpocznie, licząc od teraz. Funkcja zegara NIE zostanie powtórzona do momentu jej zresetowania.

- H** Przełącznik skali Celsjusza/Fahrenheita
Temperatura może być wyświetlana w stopniach Celsjusza lub Fahrenheita.

- I** Przyciski regulacji temperatury
Naciśnięcie przycisku zwiększenia lub zmniejszenia temperatury powoduje miganie diody. Można wówczas ustawić żądaną temperaturę. Przytrzymanie tych przycisków powoduje szybkie zwiększenie lub zmniejszenie temperatury. Nowa żądana temperatura zostanie wyświetlona na wyświetlaczu przez 3 sekundy w celu jej potwierdzenia.
- UWAGA:** Temperatura domyślna wynosi 35°C (95°F).
UWAGA: Zakres regulacji temperatury wynosi od 20°C (68°F) do 40°C (104°F).

- J** Dioda zegara oszczędzającego energię
Miganie diody oznacza, że trwa ustawianie czasu podgrzewania. Po włączeniu się podgrzewania dioda świeci ciągle.

- Miganie diody oznacza, że trwa ustawianie liczby godzin, w ciągu których podgrzewanie będzie działać, począwszy OD TERAZ. Po ustawieniu funkcji zegara oszczędzającego energię dioda świeci ciągle.

- K** Przycisk włączania/wyłączania
Aby aktywować przyciski na panelu sterowania, naciśnij przycisk i przytrzymaj przez 2 sekundy. Włączając się zielone lampki na panelu sterowania.
Aby wyłączyć wszystkie aktualnie włączone funkcje, naciśnij ponownie przycisk i przytrzymaj przez 2 sekundy.

- L** Wyświetlacz diodowy
 Po włączeniu zasilania wyświetlacz diodowy automatycznie wskazuje aktualną temperaturę wody. Po 72 godzinach filtrowania (bez korzystania z funkcji zegara oszczędzającego energię) pompa przechodzi w stan czuwania. Jest to potwierdzone wyświetleniem komunikatu „End” [Koniec] i aktualnej temperatury wody. Kiedy pompa jest w trybie czuwania, funkcje podgrzewania i filtrowania wody są wyłączone. Aby włączyć pompę, naciśnij i przytrzymaj przez 3 sekundy przycisk blokowania/odblokowania.
- UWAGA:** Szybkość podgrzewania wody może się zmieniać w następujących warunkach:
temperatura zewnętrzna poniżej 15°C (59°F)
niezałożona pokrywa po włączeniu podgrzewania.
- UWAGA:** W celu wyświetlenia bieżącej temperatury wody należy uruchomić system filtrowania na co najmniej jedną minutę. Temperatura wody mierzona zewnętrznym termometrem może różnić się od temperatury wyświetlanej na panelu z powodu różnego położenia przyrządów pomiarowych.

Alarmy

Problemy	Przyczyny	Rozwiązania
Czujniki przepływu wody działają bez naciśnięcia przycisku filtra lub podgrzewania.	1. Flagi czujników przepływu wody nie powróciły do prawidłowego położenia. 2. Czujniki przepływu wody są uszkodzone.	1. Odłączyć pompę od zasilania, mocno (ale nie gwałtownie) uderzyć w bok pompy i ponownie podłączyć ją do zasilania. 2. Aby otrzymać instrukcje, należy skontaktować się z lokalnym punktem serwisowym Bestway.
Po włączeniu lub podczas filtrowania i/lub podgrzewania czujniki nie wykrywają przepływu wody.	1. Nie zostały usunięte 2 korki znajdujące się wewnątrz basenu. 2. Włody filtrujące są zanieczyszczone. 3. Włączyć system filtrowania lub podgrzewania i przyłożyć dłoń do rury odpływowej wewnątrz basenu w celu sprawdzenia, czy przepływa przez nią woda. a. Jeżeli przepływ wody nie jest wyczuwany, oznacza to usterkę pompy. b. Jeżeli woda przepływa, ale wyświetlany jest alarm , oznacza to usterkę czujników przepływu wody.	1. Przed włączeniem podgrzewania wyjąć oba korki. Patrz rozdział „Montaż” instrukcji obsługi. 2. Wyjąć z basenu zestaw filtra i nacisnąć przycisk filtra lub podgrzewania. Jeżeli nie pojawi się żaden alarm, wyczyścić lub wymienić wkłady filtra i zamontować filtr w basenie. 3. Aby otrzymać instrukcje, należy skontaktować się z lokalnym punktem serwisowym Bestway.
Termometr pompy wskazuje temperaturę wody niższą niż 4°C (40°F).	1. Temperatura wody jest niższa niż 4°C (40°F). 2. Jeżeli temperatura wody jest wyższa niż 7°C (44,6°F), oznacza to, że termometr pompy jest uszkodzony.	1. Spa nie jest przeznaczone do działania przy temperaturze wody niższej niż 4°C (40°F). Odłączyć zasilanie pompy i uruchomić ją ponownie dopiero wtedy, kiedy temperatura wody osiągnie 6°C (43°F). 2. Aby otrzymać instrukcje, należy skontaktować się z lokalnym punktem serwisowym Bestway.
Termometr pompy wskazuje temperaturę wody wyższą niż 50°C (122°F).	1. Temperatura wody jest wyższa niż 50°C (122°F). 2. Jeżeli temperatura wody jest niższa niż 45°C (113°F), oznacza to, że termometr pompy jest uszkodzony.	1. Spa nie jest przeznaczone do działania przy temperaturze wody wyższej niż 40°C (104°F). Odłączyć zasilanie pompy, a następnie uruchomić ją ponownie, gdy temperatura wody osiągnie 38°C (100°F) lub mniej. WAŻNE: Przed ponownym uruchomieniem pompy nacisnąć przycisk reset. 2. Aby otrzymać instrukcje, należy skontaktować się z lokalnym punktem serwisowym Bestway.
Występują problemy ze złączami termometru pompy.	1. Złącza termometru pompy nie działają prawidłowo. 2. Termometr pompy jest uszkodzony.	Aby otrzymać instrukcje, należy skontaktować się z lokalnym punktem serwisowym Bestway.
Problem z wyłącznikiem termicznym resetowania ręcznego.	Zadziałał wyłącznik termiczny resetowania ręcznego.	1. Odłączyć pompę od zasilania i nacisnąć przycisk reset pompy, a następnie ponownie podłączyć pompę do zasilania. 2. Jeżeli alarm nie zostanie wyłączony, należy sięgnąć do części PRZYCISK RESET w instrukcji obsługi. 3. Aby otrzymać instrukcje, należy skontaktować się z lokalnym punktem serwisowym Bestway.
Usterka bezpiecznika 104°C (219°F).	Bezpiecznik jest odłączony.	Aby otrzymać instrukcje, należy skontaktować się z lokalnym punktem serwisowym Bestway.
Alarm wysokiego poziomu soli.	Do basenu wysypano zbyt dużo soli lub wyparowało z niego zbyt dużo wody.	1. Usunąć nadmiar soli zgodnie z instrukcją obsługi. 2. Aby otrzymać instrukcje, należy skontaktować się z lokalnym punktem serwisowym Bestway.
Alarm niskiego poziomu soli.	Poziom soli jest zbyt niski dla wykonania dezynfekcji.	1. Dodać soli zgodnie z instrukcją obsługi. 2. Aby otrzymać instrukcje, należy skontaktować się z lokalnym punktem serwisowym Bestway.
Wyciek wody wewnątrz pompy.	System wykrył wyciek wody wewnątrz pompy.	Aby otrzymać instrukcje, należy skontaktować się z lokalnym punktem serwisowym Bestway.
Odłączony obwód sygnałowy.	Nieprawidłowo podłączony obwód sygnałowy pomiędzy panelem sterowania a kartą zasilania.	Aby otrzymać instrukcje, należy skontaktować się z lokalnym punktem serwisowym Bestway.

KONSERWACJA

UWAGA: Spa od czasu do czasu wymaga dopompowania. Zmiany temperatury pomiędzy dniem a nocą powodują zmiany ciśnienia w spa i mogą powodować uchodzenie powietrza. Przed dopompowaniem spa do odpowiedniego poziomu ciśnienia należy je opróżnić i postępować zgodnie z instrukcjami montażu.

OSTROŻNIE: PRZED ROZPOCZĘCIEM JAKICHKOLWIEK PRAC KONSERWACYJNYCH NALEŻY UPEWNIĆ SIĘ, ŻE POMPA JEST ODŁĄCZONA OD ZASILANIA.

Konserwacja wkładu filtrującego

UWAGA: W celu zapewnienia czystości wody należy codziennie sprawdzać i czyścić wkłady filtrujące, postępując zgodnie z poniższymi wskazówkami.

UWAGA: Wymiana wkładów filtrujących zalecana jest co tydzień. Zanieczyszczone i odbarwione wkłady filtrujące należy wymieniać.

Uzdatnianie wody

Aby zachować czystość spa, konieczne jest utrzymywanie równowagi chemicznej. Samo czyszczenie wkładu filtrującego jest niewystarczające. Należy zapoznać się z poniższymi zaleceniami:



1. Regularnie używać wbudowanego systemu chlorowania słonej wody. Słona woda przepływa przez elektrolityczne ogniwo chlorownika i powoduje uwalnianie chloru, który zostaje natychmiast rozpuszczony w wodzie. Chlor natychmiast zaczyna zabijać bakterie, grzyby i utleniać inne substancje organiczne.

Przy pierwszym użyciu zalecamy ustawienie czasu działania na 8 godzin z użyciem czystej wody i sprawdzenie za pomocą paska testowego, czy zawartość wolnego chloru mieści się w zakresie 2-4 ppm. Jeżeli temperatura wody jest wysoka lub spa nie jest przykryte, należy wydłużyć czas działania. Jeżeli spa jest w użyciu, systemu chlorowania należy używać co 24 godziny. Czas działania zależy od wyników testu i częstotliwości korzystania ze spa.

UWAGA: Przy pierwszym użyciu systemu chlorowania stężenie wolnego chloru należy sprawdzać dwa razy dziennie. Po ustabilizowaniu się stężenia wolnego chloru należy raz w tygodniu sprawdzać, czy jego stężenie mieści się w zakresie 2-4 ppm.

UWAGA: Nie korzystać ze spa, jeżeli stężenie wolnego chloru jest wyższe niż 4 ppm.

2. Środki chemiczne do uzdatniania wody w basenie w postaci tabletek chloru lub bromu (nie stosować granulki) należy stosować z użyciem pływaka chemicznego.

Stosowanie tabletek chemicznych (poza zestawem)

(oznaczenie: kwas izocyjanurowy trójchlorowany 3-6 g)

Stosowanie środka chemicznego w płynie (poza zestawem)

(patrz instrukcje zakupionych środków chemicznych)



Prawidłowo uzdatnianą wodę należy wymieniać co ok. 3 dni lub rzadziej. Na jakość wody wpływa częstotliwość korzystania ze spa, liczba użytkowników i stosowane procesy uzdatniania wody.

UWAGA: Przed skorzystaniem z Lay-Z Spa zalecamy kąpiel pod natryskiem. Kosmetyki, emulsje i inne środki pozostałe na skórze powodują szybki spadek jakości wody.

UWAGA: Przed skorzystaniem ze spa należy wyjąć z niego pływak chemiczny.

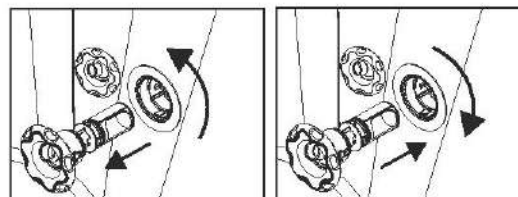
WAŻNE: Po wykonaniu chemicznego uzdatniania wody, a przed skorzystaniem ze spa należy użyć zestawu testowego (poza zestawem) w celu sprawdzenia parametrów wody. Zalecamy utrzymywanie wartości zgodnych z poniższą tabelą.

pH	Zasadowość całkowita	Wolny chlor
7,4-7,6	80-120 ppm	2-4 ppm

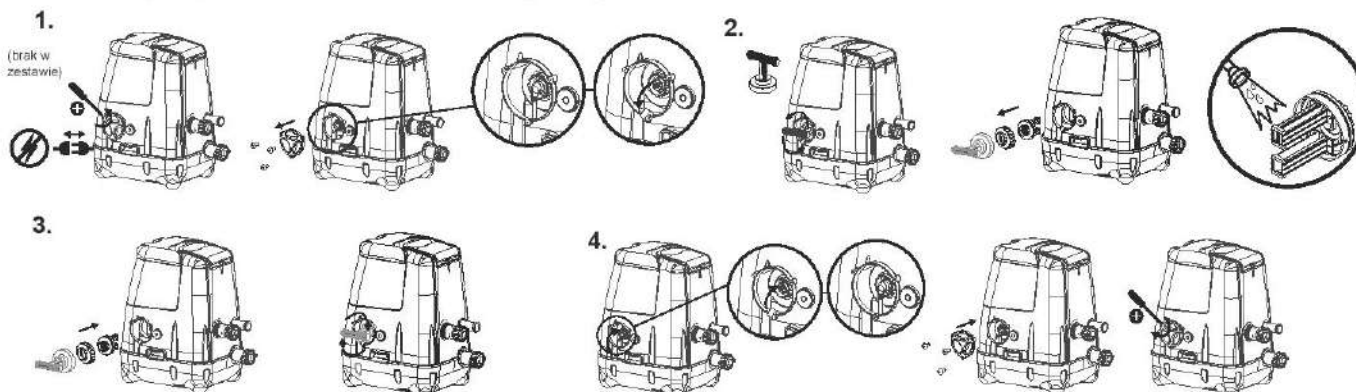
UWAGA: Uszkodzenia spowodowane przez brak równowagi chemicznej nie są objęte gwarancją. Środki chemiczne do basenów są potencjalnie toksyczne i podczas ich stosowania należy zachowywać ostrożność. Wdychanie oparów chemicznych, nieodpowiednie oznakowanie i przechowywanie pojemników zawierających substancje chemiczne może stanowić poważne zagrożenie dla zdrowia. W celu uzyskania informacji na temat chemicznego uzdatniania wody prosimy o kontakt z lokalnym dostawcą środków chemicznych. Należy ściśle stosować się do zaleceń producenta środka chemicznego. Uszkodzenie spa spowodowane nieodpowiednim użyciem środków chemicznych i niewłaściwym uzdatnianiem wody nie jest objęte gwarancją.

Konserwacja dysz strumieniowych

1. Odkręcić dyszę strumieniową tak, aby słyszalne było charakterystyczne „kliknięcie”, po czym wyciągnąć dyszę. Następnie usunąć z niej cząstki stałe.
2. Aby zamontować dyszę, należy ją włożyć i obrócić zgodnie z ruchem wskazówek zegara.



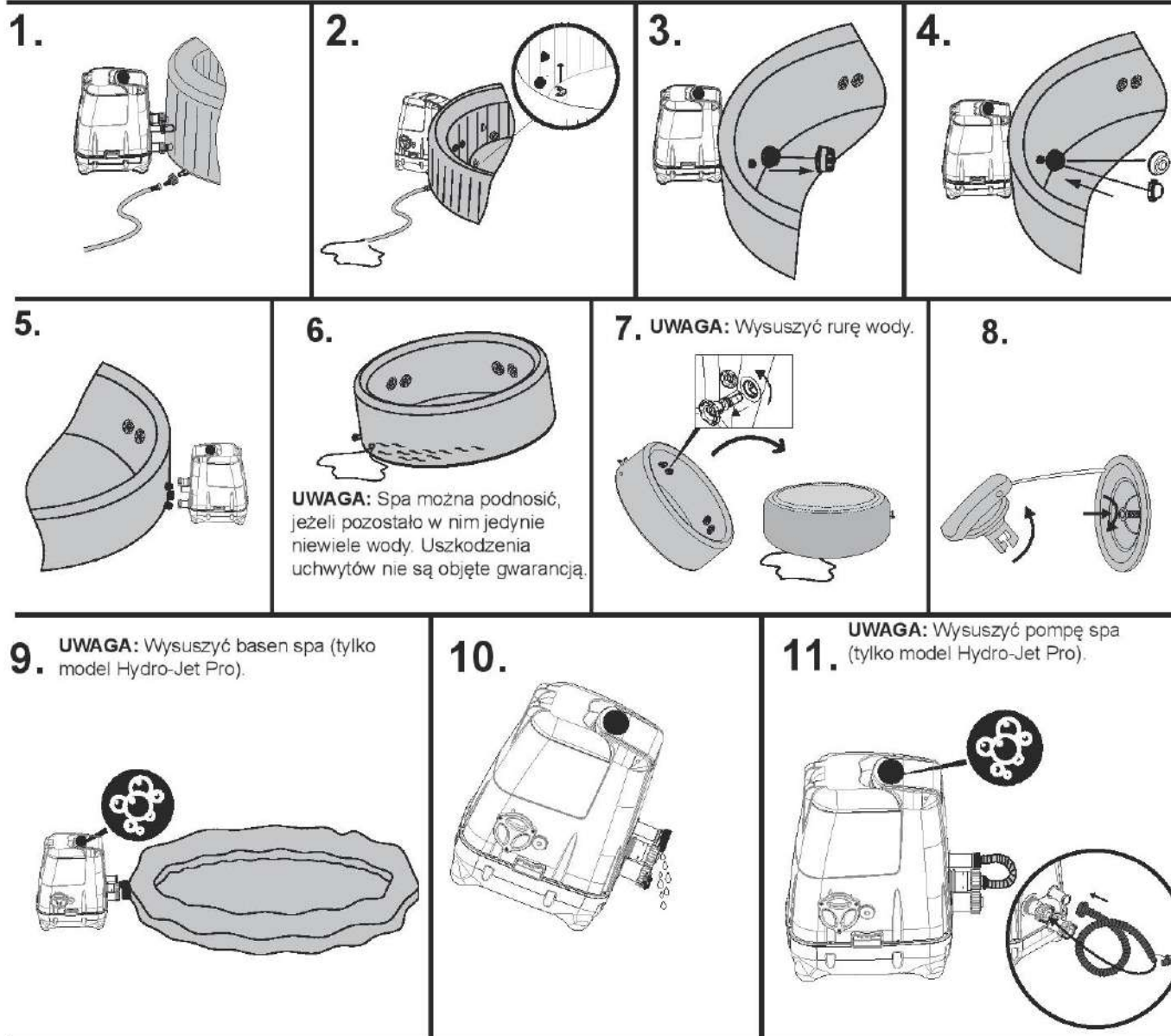
Konserwacja systemu chlorowania słonej wody



UWAGA: Jeżeli po prukaniu nadal pozostaje osad, włożyć ogniwo elektrolityczne do pojemnika, zalać octem spożywczym i moczyć przez około 4 godziny, a następnie ponownie wypłukać. W razie potrzeby powtórzyć czynności.

Opróżnianie spa

UWAGA: Rysunki zostały zamieszczone wyłącznie w celach poglądowych. Mogą one nie odzwierciedlać rzeczywistego wyglądu produktu. Niewykonane w skali.



Czyszczenie spa Na ściankach spa mogą osadzać się pozostałości środków czyszczących i rozpuszczone substancje stałe pochodzące ze strojów kąpielowych i środków chemicznych. Wyczyścić ścianki spa, używając wody z mydłem, a następnie dokładnie spłukać wodą.

UWAGA: NIE używać twardych szczotek ani innych ściernych środków czyszczących.

Naprawa spa

Nadmuchiwana pokrywa spa

Jeżeli spa jest rozdarte lub przedziurawione, użyć do naprawy łaty z zestawu.

1. Wyczyścić powierzchnię przeznaczoną do naprawy.
2. Ostrożnie odkleić łatę.
3. Docisnąć łatę do powierzchni przeznaczonej do naprawy.
4. Odczekać 30 minut przed napompowaniem.

Wykładzina spa

Jeżeli spa jest rozdarte lub przedziurawione, należy użyć do naprawy łaty z PCV i kleju (poza zestawem), postępując zgodnie z poniższymi krokami:

1. Wyczyścić i wysuszyć powierzchnię przeznaczoną do naprawy.
2. Dociąć łatę z PCV z zestawu do odpowiedniej wielkości.
3. Pokryć jedną stronę wyciętej łaty klejem (poza zestawem). Upewnić się, że klej został równomiernie rozprowadzony.
4. Odczekać 30 sekund i umieścić pokrytą klejem łatę w miejscu uszkodzenia.
5. Wygładzić łatę i usunąć ewentualne pęcherzyki powietrza powstałe pod łatą, a następnie mocno ją dociskać przez dwie minuty.
6. Odczekać 30 minut przed napompowaniem.
7. Produkt jest ponownie gotowy do użycia. Powtórzyć ten proces w przypadku powstania kolejnych uszkodzeń.

Przechowywanie Lay-Z-Spa


Przed przechowywaniem upewnić się, że spa i pompa są całkowicie suche. Jest to konieczne dla zwiększenia trwałości spa. Do wysuszenia spa, pompy i rur zalecamy użycie pompy. Wyjąć zestawy filtrów i wyrzucić zużyte wkłady filtrujące. Ponownie włożyć korki w zawory wlotowe i wylotowe spa. Zaleca się przechowywanie w oryginalnym opakowaniu, w suchym i ciepłym miejscu.

UWAGA: Plastik narażony na działanie temperatur ujemnych staje się kruchy i podatny na łamanie. Zamrożenie może poważnie uszkodzić spa. Niewłaściwe przechowywanie spa w okresie zimowym może spowodować utratę gwarancji.



Utylizacja Znaczenie symbolu przekreślonego kosza na śmieci: Nie wyrzucać urządzeń elektrycznych razem z niesegregowanymi odpadami komunalnymi. Służą do tego oddzielne pojemniki. W celu uzyskania informacji na temat dostępnych systemów zbiórki należy skontaktować się z władzami lokalnymi. Usuwanie urządzeń elektrycznych na składowiska lub wysypiska śmieci może powodować przeciekanie substancji niebezpiecznych do wód gruntowych i przedostawanie się ich do łańcucha pokarmowego, co zagraża zdrowiu i dobremu samopoczuciu. W przypadku wymiany starych urządzeń na nowe sprzedawca jest prawnie zobowiązany do odebrania starego urządzenia w celu jego utylizacji, co najmniej bezpłatnie.

ROZWIĄZYWANIE PROBLEMÓW Firma Bestway dąży do dostarczania najbardziej bezproblemowych spa na rynku. Jeżeli pomimo naszych starań wystąpią jakiegokolwiek problemy, prosimy o kontakt z nami lub z autoryzowanym sprzedawcą Bestway. Poniżej podano wskazówki pomocne w wykrywaniu i rozwiązywaniu najbardziej powszechnych źródeł problemów.

Problemy	Możliwe przyczyny	Rozwiązania
Pompa nie działa.	<ul style="list-style-type: none"> - Awaria zasilania - Przerwany obwód zasilania 	<ul style="list-style-type: none"> - Sprawdzić źródło zasilania. - Aby otrzymać instrukcje, należy skontaktować się z lokalnym punktem serwisowym Bestway.
Pompa nie podgrzewa prawidłowo.	<ul style="list-style-type: none"> - Ustawiona temperatura jest zbyt niska. - Zanieczyszczony wkład filtrujący. - Wyłącznik termiczny wyłącza podgrzewanie. - Element grzewczy jest uszkodzony. 	<ul style="list-style-type: none"> - Ustawić system podgrzewania na wyższą temperaturę (patrz część „Obsługa pompy”). - Wyczyścić/wymienić wkład filtrujący (patrz część „Czyszczenie i wymiana wkładu filtrującego”). - Nacisnąć przycisk Reset pompy (patrz część „Obsługa pompy”). - Aby otrzymać instrukcje, należy skontaktować się z lokalnym punktem serwisowym Bestway.
System Lay-Z-Massage nie działa.	<ul style="list-style-type: none"> - Przegrzanie pompy powietrza. - System Lay-Z-Spa Massage wyłącza się automatycznie. - Uszkodzona pompa powietrza. 	<ul style="list-style-type: none"> - Odcłączyć pompę od zasilania i odczekać dwie godziny, aż ostygnie. Podłączyć wtyczkę i nacisnąć przycisk systemu Lay-Z-Massage. - Aby ponownie włączyć system, nacisnąć przycisk systemu Lay-Z-Massage. - Aby otrzymać instrukcje, należy skontaktować się z lokalnym punktem serwisowym Bestway.
Złącza pompy nie znajdują się na poziomie złączy spa.	<ul style="list-style-type: none"> - Jedną z charakterystycznych cech PCV jest zmiana kształtu. Jest to zjawisko normalne. 	<ul style="list-style-type: none"> - Podnieść pompę, używając kawałka drewna lub innego materiału izolacyjnego w celu wyrównania poziomu złączy pompy ze złączami spa.
Wyciek z basenu spa.	<ul style="list-style-type: none"> - Spa jest rozdarte lub przebite. - Zawór powietrza jest poluzowany. 	<ul style="list-style-type: none"> - Użyć łąty naprawczej z zestawu. - Pokryć zawór powietrza wodą z mydłem. Jeżeli uchodzi z niego powietrze, użyć dołączonego klucza w celu dokręcenia zaworu, postępując zgodnie z poniższymi krokami: <ol style="list-style-type: none"> 1. Wypompować spa. 2. Jedną ręką przytrzymać tylną część zaworu od wewnętrznej strony ścianki spa, a drugą ręką obracać klucz w kierunku zgodnym z ruchem wskazówek zegara.
Woda jest zanieczyszczona.	<ul style="list-style-type: none"> - Zbyt krótki czas filtrowania. - Zanieczyszczony wkład filtrujący. - Nieodpowiednie uzdatnianie wody. - System odkazania nie działa. - Tytanowa płytka pokryta osadem. - Zbyt krótki czas odkazania. 	<ul style="list-style-type: none"> - Wydłużyć czas filtrowania. - Wyczyścić/wymienić wkład filtrujący (patrz część „Czyszczenie i wymiana wkładu filtrującego”). - Należy stosować się do zaleceń producenta środka chemicznego. - Sprawdzić zasilanie lub skontaktować się z lokalnym punktem serwisowym Bestway w celu otrzymania instrukcji. - Wyczyścić tytanową płytkę (patrz część „Konservacja systemu chlorowania stonaj wody”).
Niepowodzenie testu wyłącznika różnicowoprądowego.	Usterka spa.	Skontaktować się z lokalnym punktem serwisowym Bestway i odesłać spa.
System HydroJet nie działa.	<ul style="list-style-type: none"> - Przegrzanie pompy wody. - Uszkodzenie pompy wody. 	<ul style="list-style-type: none"> - Odcłączyć pompę od zasilania i odczekać dwie godziny, aż ostygnie. Podłączyć do zasilania i spróbować ponownie. - Aby otrzymać instrukcje, należy skontaktować się z lokalnym punktem serwisowym Bestway.
Panel sterowania nie działa.	<ul style="list-style-type: none"> - Panel sterowania posiada automatyczną blokadę, która jest aktywowana po 5 minutach bezczynności. Na wyświetlaczu diodowym znajduje się jedna ikona: . Podświetlona ikona blokady oznacza, że panel sterowania jest zablokowany. - Panel sterowania nie jest włączony. 	<ul style="list-style-type: none"> - Aby odblokować panel sterowania, nacisnąć i przytrzymać przez 3 sekundy przycisk . - Jeżeli panel sterowania się nie odblokuje, należy ponownie uruchomić pompę — odłączyć i ponownie podłączyć pompę. - Nacisnąć wyłącznik i przytrzymać przez 2 sekundy. - Jeżeli problem występuje nadal, należy skontaktować się z lokalnym punktem serwisowym Bestway w celu otrzymania instrukcji.
Jakie substancje chemiczne powinny być stosowane do uzdatniania wody?	W celu uzyskania informacji na temat chemicznego uzdatniania wody prosimy o kontakt z lokalnym dostawcą środków chemicznych. Należy ściśle stosować się do zaleceń producenta środka chemicznego.	
Woda wycieka ze złączy pomiędzy pompą a spa.	Włożyć trzy korki do króćców, aby zapobiec wyciekowi wody, i odłączyć pompę. Sprawdzić, czy uszczelki są prawidłowo umieszczone wewnątrz złączy pompy. Jeżeli uszczelki nie są założone lub są założone nieprawidłowo, należy skontaktować się z lokalnym punktem serwisowym Bestway w celu otrzymania instrukcji. Jeżeli uszczelki są założone prawidłowo, podłączyć pompę do spa i dokręcić ręcznie złącza.	

Ograniczona gwarancja producenta BESTWAY®

Zakupiony przez Państwa produkt jest objęty ograniczoną gwarancją. Bestway® stoi za gwarancją jakości i zapewnia, dzięki gwarancji wymiany, że produkt jest wolny od wad producenta.

W celu zgłoszenia gwarancyjnego należy dostarczyć do Centrum Serwisowego Bestway poniższy, wypełniony formularz oraz kopię dowodu zakupu. Przed wysłaniem jakichkolwiek dokumentów prosimy o kontakt z najbliższym Centrum Obsługi Klienta. Uzyskają Państwo tam pełnych instrukcji dotyczących wymogów niezbędnych dla zgłoszenia reklamacyjnego. Bestway® nie wymieni produktów, które uzna za zaniedbane lub użyte w sposób niezgodny z zaleceniami zamieszczonymi w instrukcji obsługi.

Gwarancja Bestway obejmuje wady produkcji odkryte podczas rozpakowywania produktu lub podczas jego użytkowania w sposób zgodny z instrukcją obsługi. Niniejsza gwarancja odnosi się wyłącznie do produktów niemodyfikowanych przez strony trzecie. Produkt musi być przechowywany i obsługiwany zgodnie z zaleceniami technicznymi.

Gwarancja nie obejmuje uszkodzeń spowodowanych niewłaściwym użytkowaniem, nadużyciem, zaniedbaniem, wkluczając, ale nie ograniczając się do uderzenia, pożaru, użycia nieprawidłowego napięcia, nadmiernej ekspozycji na ciepło, niewłaściwego montażu, niewłaściwego okablowania lub testów, czy nieprawidłowego przechowywania.

Wymiana i naprawa nie przedłużają okresu gwarancji. Gwarancja obowiązuje od daty zakupu ukazanej na paragonie/fakturze.

Wybierz Twoje SPA



Palm Springs



Hawaii

DO: Dział Obsługi Bestway®

Data zakupu: _____

DATA: _____

Kod klienta: _____

FAKS/E-MAIL/TEL: Prosimy o odniesienie się do właściwego kraju, na podstawie informacji znajdujących się na tylnej okładce lub na naszej stronie internetowej: www.bestwaycorp.com

Prosimy o podanie dokładnych danych adresowych. **Uwaga:** Niepełne dane adresowe mogą powodować opóźnienia w przesyłkach. Bestway zastrzega sobie prawo do obciążenia adresata kosztami ponownej dostawy przesyłek, jeśli dostawa została uniemożliwiona z winy odbiorcy.

WYMAGANE INFORMACJE - PROSIMY O WPISANIE ADRESU DOSTAWY

Nazwisko: _____ Adres: _____

Kod pocztowy: _____ Dostawca: _____

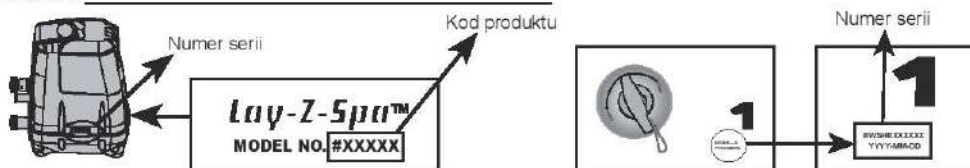
Państwo: _____ Miasto: _____

Tel. komórkowy: _____ Telefon: _____

Faks: _____ E-mail: _____

POMPA SPA Numer serii: _____ Basen SPA Numer serii: _____

POMPA SPA Kod produktu: _____



Rysunki zostały zamieszczone wyłącznie w celach ilustracyjnych. Nie wykonane w skali.

Opis problemu

- Spa przecieka Nie działa system filtracji wody Nie działa system grzewczy
- Panel kontrolny wyświetla błąd, którego nie da się rozwiązać System masażu Lay-Z-Massage nie działa
- Pompa przecieka Adapter przecieka Brakujące części - Prosimy o wstawienie kodu brakującej części, można go znaleźć w instrukcji obsługi.
- Inne (prosimy opisać)

WAŻNE: ZOSTANIE WYMIENIONY TYLKO ZNISZCZONY ELEMENT, NIE CAŁY ZESTAW.

Bestway zastrzega sobie prawo do zażądania fotograficznych dowodów wadliwych części lub do zażądania zwrotu uszkodzonego elementu w celu przeprowadzenia dodatkowych testów.

Dla zapewnienia Państwu lepszego wsparcia potrzebujemy kompletnych informacji.

W CELU ZAPOZNANIA SIĘ Z NAJCZĘŚCIEJ ZADAWANYMI PYTANIAMI, INSTRUKCJAMI OBSŁUGI, FILMAMI CZY W CELU ZAKUPU CZĘŚCI ZAMIENNYCH PROSIMY O ODWIEDZENIE NASZEJ STRONY INTERNETOWEJ www.bestwaycorp.com
FILMY DOSTĘPNE SĄ RÓWNIEŻ W NASZYM KANALE BESTWAY NA YOU TUBE: www.youtube.com/user/BestwayService

Bestway

TARTALOMJEGYZÉK

1. Biztonsági utasítások	146. old.
2. Műszaki adatok	149. old.
3. Összeszerelés	151. old.
4. Használat	153. old.
5. Karbantartás	155. old.
6. Hibaelhárítás	157. old.
7. Garancia	158. old.



BIZTONSÁGI UTASÍTÁSOK

Az elektromos berendezés telepítése és használata során mindig be kell tartani az alapvető biztonsági óvintézkedéseket, ideértve a következőket:

FONTOS BIZTONSÁGI UTASÍTÁSOK – MINDEN UTASÍTÁST OLVASSON EL, ÉS TARTSA BE AZ AZOKBAN FOGLALTAKAT.

FIGYELMEZTETÉS:

- A fürdőmedencét maradékáram-működtetésű megszakítóval (RCD) rendelkező hálózati áramellátásról kell működtetni, a névleges üzemi maradékáram pedig nem haladhatja meg a 30 mA-t.
 - A szivattyú állapotát minden használat előtt ellenőrizni kell. Az ellenőrzéssel kapcsolatosan tartsa be az útmutató „Szivattyúteszt” c. részében foglaltakat.
 - A tápkábel sérülése esetén a sérült kábelt a veszély elkerülése érdekében a gyártóval, a gyártó szervizügynökségével vagy hozzájuk hasonlóan képzett személlyel le kell cseréltetni.
 - Az áramütésveszély csökkentése érdekében az egység elektromos hálózathoz való csatlakoztatásához ne használjon hosszabbítót, hanem gondoskodjon megfelelően elhelyezett aljzatról.
 - Használat közben a berendezés semelyik része sem lehet a fürdő fölött elhelyezve.
 - Az áram alatti részeket tartalmazó részegységekhez – a 12 V-ot nem meghaladó biztonsági, extra alacsony feszültséggel ellátott részegységek kivételével – a fürdőmedencében tartózkodó személyek semmiképpen sem férhetnek hozzá; az elektromos részegységeket – a távvezérlő készülékek kivételével – úgy kell elhelyezni, illetve rögzíteni, hogy azok ne eshessenek a fürdőmedencébe.
 - A szivattyú dugójának több mint 3,5 m-re kell lennie a fürdőmedencétől.
 - Fontos, hogy a fürdőmedence felállítását követően a dugalj hozzáférhető legyen.
- VIGYAZAT:** A hőmegszakító véletlen visszakapcsolása miatti veszély elkerülése érdekében a készülék nem látható el árammal külső kapcsolóberendezésről (pl. időzítő), illetve nem köthető be olyan áramkörbe, melyet gyakran kapcsol be és ki a szolgáltató.
- A fürdő 3–5 évnyi használata után annak megfelelő biztonságossága és teljesítménye érdekében hívjon ki egy helyi, képesített karbantartó technikust. Az elektromos egység fő részegységeit (pl. fűtőelem, levegőventilátor-motor és visszacsapószelepek) szakemberrel ellenőriztetni kell, és szükség esetén – szintén szakemberrel – le kell cseréltetni.
- Figyelmeztetés: Mindig tartsa a dugót szárazon! Nedves dugót a konnektorba dugni szigorúan tilos!** A fürdőmedencét földelt áramforrásra kell csatlakoztatni.

- **AZ ÁRAMÜTÉS ELKERÜLÉSE ÉRDEKÉBEN NE HASZNÁLJA ESŐBEN A FÜRDŐMEDENCÉT.**
- Soha ne viseljen a fürdőmedencében kontaktlencsét.
- Ne használja a fürdőmedencét vegyszeres karbantartás közben.
- Az épület fali áramforrásának a medencétől legalább 4 m-re és legalább 1,2 m magasságban kell lennie.
- Hosszabbítókábelek nem használhatók.
- Ne dugja be és ne húzza ki a készülék dugóját nedves kézzel.
- Mindig válassza le a készüléket az áramellátásról:
 - esős időben
 - tisztítás vagy más karbantartás esetén
 - ha szünnapokon felügyelet nélkül hagyja
- A tisztítást és felhasználói karbantartást csak 18 évet betöltött, az elektromos áramütés veszélyeivel tisztában lévő felnőttek végezhetik.
- Ha a készüléket előre láthatólag hosszabb ideig nem fogja használni (pl. télen), a fürdő- vagy medencekészletet szét kell szerelni, és beltérben kell tárolni.
- **VIGYAZAT:** A készülék használata, illetve (újra)összeszerelése előtt, kérjük, minden alkalommal olvassa el az útmutatót.

- Őrizze meg az útmutatót biztos helyen. Ha nem találja a használati útmutatót, forduljon a gyártóhoz, vagy töltsen le az útmutató egy példányát a www.bestwaycorp.com weboldalról.
- **Figyelmeztetés: Az elektromos biztonság érdekében a tápvezetékekbe hordozható kivitelű áram-védőkapcsolós készülék (PRCD készülék) lett beépítve. 10 mA-nél magasabb szivárgó áram érzékelése esetén a készülék beavatkozik, és megszakítja az áramellátást. Ilyen esetben, kérjük, azonnal húzza ki a dugót a fürdőből, és ne használja tovább. Ne állítsa vissza saját maga a terméket, hanem a termék megjavításához hívja ki a helyi szervizügynökséget.**
- Ez a készülék nem használható fizikailag, érzékszervileg vagy szellemileg korlátozott, továbbá a kellő tapasztalattal vagy tudással nem rendelkező személyek (és gyermekek) által, kivéve felügyelet mellett, vagy ha készülék biztonságos használatával kapcsolatosan útmutatást kaptak egy, a biztonságukért felelős személytől. A gyerekeket felügyelni kell, hogy ne játszanak a készülékkel. (EU-n kívüli piacra szánt termék esetén)
- Ez a készülék 8 éves kortól használható, illetve a fizikailag, érzékszervileg vagy szellemileg korlátozott, továbbá a kellő tapasztalattal vagy tudással nem rendelkező személyek a készüléket csak felügyelet mellett, vagy a készülék biztonságos használatával kapcsolatos ismeretek megszerzését és a járulékos veszélyek megértését követően használhatják. A gyermekek nem játszhatnak a készülékkel. A tisztítást és felhasználó által végzendő karbantartást gyermekek csak felügyelettel végezhetik. (EU-s piacra szánt termék esetén)
- A víz vonzza a gyermekeket – minden használatot követően tegye föl a fürdőmedencére a fedelét.
- Ne temesse be a kábelt! Ugy helyezze el a kábelt, hogy az a lehető legkevésbé legyen kitéve fűnyírónak, sövénynyírónak és más berendezésnek.
- Véletlen fulladás kockázata. Rendkívül oda kell figyelni arra, hogy a gyermekek engedély nélkül ne férhessenek a medencéhez. A balesetek elkerülése érdekében gondoskodjon arról, hogy a gyermekek állandó felügyelet nélkül ne használhassák a fürdőmedencét.
- **SÉRÜLÉSVESZÉLY.** Soha ne működtesse a fürdőmedencét sérült vagy hiányzó bemenő-, illetve kimenőcsövekkel. Soha ne próbálja meg maga kicserélni a bemenő, illetve kimenőcsöveket. Mindig forduljon a legközelebbi Bestway értékesítés utáni szolgálathoz.
- **ARAMÜTESVESZÉLY.** Az összes fémfelülettől legalább 2 m távolságban telepítse.
- **ARAMÜTESVESZÉLY.** A fürdőmedencében, illetve nedves testtel soha ne működtessen elektromos készülékeket. Soha ne tegyen elektromos készülékeket (pl. lámpa, telefon, rádió vagy televízió) a fürdőmedence 2 m-es környezetébe.
- Terhes nőknél a huzamosabb meleg vízben tartózkodás károsíthatja a magzatot. Ne engedje, hogy a fürdőt egyhuzamban 10 percnél tovább használják.
- **A SÉRÜLÉS VESZÉLYÉNEK CSÖKKENTÉSE ÉRDEKÉBEN:**
 - A fürdőmedence vízhőmérséklete sosem lehet nagyobb, mint 40 °C (104 °F). Felnöttek esetén a 38 ... 40 °C (100 ... 104 °F) közötti vízhőmérséklet számít egészségesnek. Fialat gyermekek, illetve 10 percnél hosszabb fürdőzés esetén ennél alacsonyabb vízhőmérséklet javasolt.
 - Tekintettel arra, hogy a túl magas vízhőmérséklet a terhesség első hónapjaiban a magzat károsodását okozhatja, a terhes vagy elképzelhetően terhes nőknél a fürdőmedence vízhőmérsékletet 38 °C-ra (100 °F) kell korlátozni.
 - A fürdőmedencébe való beszállás előtt a felhasználónak pontos hőmérővel meg kell mérnie a vízhőmérsékletet, mivel a vízhőmérséklet-szabályozó túrése eltérő lehet.
 - A fürdőmedence-használat előtti alkohol- vagy drogfogyasztás, illetve gyógyszerhasználat öntudatvesztést okozhat, ami fulladáshoz vezethet.
 - Túlsúlyos, szívbeteg, alacsony vagy magas vérnyomású, keringésrendszer-zavaros, illetve cukorbeteg személyeknek a fürdőmedence használata előtt ki kell kérniük orvosuk véleményét.
 - A gyógyszerrel kezelt személyeknek a fürdőmedence használata előtt ki kell kérniük orvosuk véleményét, mivel egyes gyógyszerek álmoságot okozhatnak, míg mások hatással lehetnek a szívverésre, vérnyomásra, illetve a vérkeringésre.
- **A SÉRÜLÉS VESZÉLYÉNEK CSÖKKENTÉSE ÉRDEKÉBEN:** Soha ne töltsön be 40 °C-nál (104 °F) melegebb vizet közvetlenül a fürdőmedencébe.
- Az alkohol- vagy drogfogyasztás, illetve gyógyszerhasználat nagy mértékben növelheti a halállal járó hipertermia veszélyét. Hipertermia akkor következik be, ha a test hőmérséklete több fokkal a 37 °C-os (98,6 °F) normál testhőmérséklet fölé emelkedik. A hipertermia tünetei többek között a test belső hőmérsékletének megnövekedése, szédülés, levertség, álmoság és ájulás. A hipertermia hatása lehet többek között a hő érzékelésének hiánya, a fürdőből történő vagy forró zuhany alóli kiszállás szükségességének fel nem ismerése, a közelgő veszély fel nem ismerése, terhes nők magzatkárosodása, a fürdőből történő vagy forró zuhany alóli kiszállás fizikai megvalósítására való képtelenség, valamint öntudatvesztés, ami fulladáshoz vezethet.
- Az elektromos rendszereknek meg kell felelniük a huzalozásra vonatkozó országos követelményeknek – kérdés esetén forduljon képesített villanyszerelőhöz.

TANÁCSÉRT FORDULJON ORVOSÁHOZ.

VIGYÁZAT:

- A fürdőmedencét soha nem szabad 4 °C-nál (40 °F) alacsonyabb hőmérsékletű helyen felállítani, illetve ilyen hőmérsékleten kint hagyni.
- Ne használja a fürdőmedencét, ha egyedül van.
- Fertőző betegségekben szenvedő személyek nem használhatják a fürdőmedencét.
- Ne használja a fürdőmedencét közvetlenül fokozott testmozgás után.
- Mindig lassan, óvatosan szálljon be a fürdőbe, illetve a kiszállást is lassan, óvatosan végezze. A nedves felületek csúszósak.
- A szivattyú károsodásának elkerülése érdekében a fürdőmedencét soha nem szabad működtetni, ha a fürdőmedence nincs vízzel feltöltve.
- Ha kellemetlenül érzi magát, vagy elálmosodik, azonnal szálljon ki a fürdőmedencéből.
- Soha ne a vizet adja a vegyszerekhez. Mindig a vegyszert adja a vízhez, hogy ne keletkezessen erős füst vagy heves reakció, amelyek veszélyes vegyszerszóródást okozhatnak.
- A víz tisztításával, karbantartásával és ártalmatlanításával kapcsolatos tudnivalóért lásd a „KARBANTARTÁS” c. részt.
- A telepítéssel kapcsolatos tudnivalóért lásd az útmutató alábbi bekezdését.

MEGJEGYZÉS:

- Kérjük, a használat előtt ellenőrizze a berendezést. Ha sérült vagy hiányzó alkatrészeket talál a vásárlás idején, értesítse a Bestwayt a kézikönyvben felsorolt ügyfélszolgálati címek valamelyikén. Ellenőrizze, hogy a berendezés részegységei a ténylegesen megvásárolni kívánt típusúak.
- A termék nem iparszerű használatra lett tervezve.

ELEKTROMOS LEVEGŐSZIVATTYÚKKAL KAPCSOLATOS FIGYELMEZTETÉS (Palm Springs HydroJet esetén):
Az elektromos levegőszivattyú nem tartozéka a fürdőnek. A biztonsággal kapcsolatos tudnivalóért lásd az elektromos levegőszivattyú használati útmutatóját.

A medence levegőszivattyúval történő felfújásához használatos hosszabbítóba szigorúan tilos a fürdőt bekötni.

A medence felfújását követően a levegőszivattyút és a hosszabbítót le kell választani az áramellátásról, és beltérben kell tárolni.

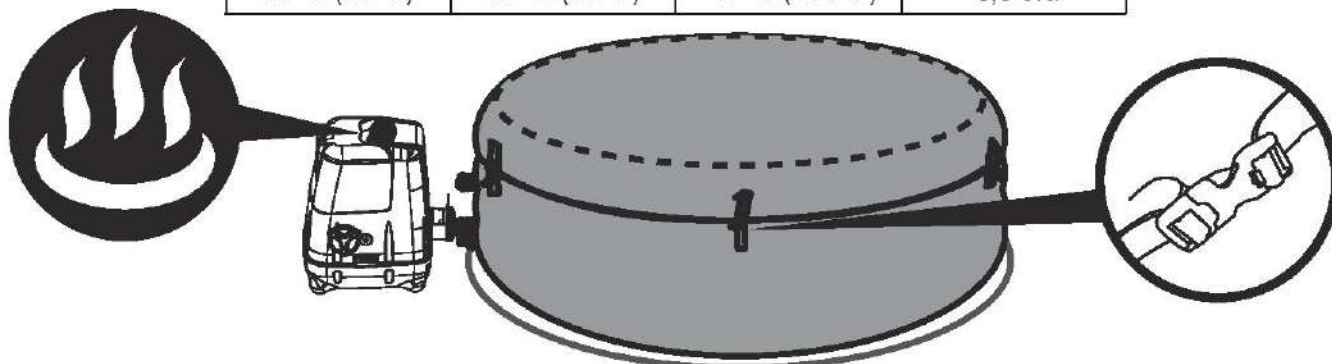
A motor nem működtethető egyhuzamban 20 percnél hosszabb ideig.

VIGYÁZAT: AZ ÁRAMÜTÉSVESZÉLY ELKERÜLÉSE ÉRDEKÉBEN NÉ TEGYE KI VÍZNEK VAGY ESŐNEK. CSAK HÁZTARTÁSI HASZNÁLATRA.

ŐRIZZE MEG EZT AZ ÚTMUTATÓT FONTOS!

A 40 °C-os (104 °F) hőmérséklet eléréséhez szükséges fűtési időtartam a víz kiindulási hőmérsékletétől és a környezeti hőmérséklettől függ. Az alábbi adat csak tájékoztató jellegű. Az aktuális hőmérséklet megjelenítéséhez legalább egy percig futtassa a szűrőrendszert.

Környezeti hőmérséklet	Víz hőmérséklet	Beállított hőmérséklet	Fűtés időtartama
10 °C (50 °F)	10 °C (50 °F)	40 °C (104 °F)	18,5 óra
15 °C (59 °F)	15 °C (59 °F)	40 °C (104 °F)	15 óra
20 °C (68 °F)	20 °C (68 °F)	40 °C (104 °F)	11,5 óra
25 °C (77 °F)	25 °C (77 °F)	40 °C (104 °F)	8,5 óra
30 °C (86 °F)	30 °C (86 °F)	40 °C (104 °F)	5,5 óra

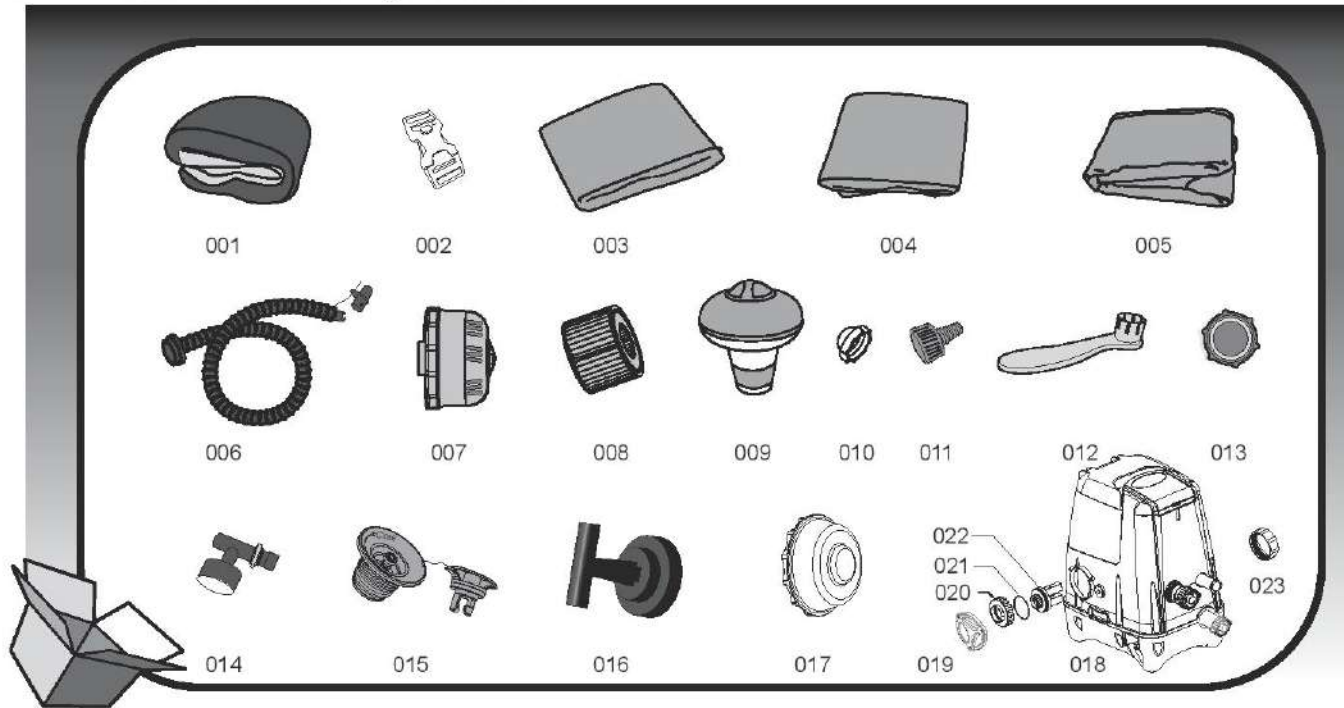


A fűtés funkció bekapcsolásakor mindig ügyeljen arra, hogy a FÜRĐŐT a FÜRĐŐFEDÉLLEL lefedje. A FÜRĐŐ fedetlenül hagyása megnöveli a szükséges fűtés időtartamát. Kérjük, ne használja a FÜRĐŐT 4 °C-nál (39 °F) alacsonyabb környezeti hőmérséklet esetén.

A LAY-Z-SPA™ HAWAII HYDROJET PRO MŰSZAKI ADATAI (#54138)

Kapacitás:	4–6 felnőtt	Masszázs-turbóventilátor:	800 W	Sugárszivattyú:	1.200 W
Vízbefogadó-képesség	795 l (210 gal)	Fűtőelem:	2.000 W 20 °C-on	Tényleges vízáramlás:	1.325 L/óra (350 gal/óra)
Felfújási méret:	1,80 m x 1,80 m x 71 cm (71" x 71" x 28")	Szivattyú:	50 W-os keringető szűrőszivattyú	Névleges adatok:	220 ... 240 V AC, 2.060 W 20 °C-on
Töltött tömeg:	867 kg (1911 lb)	Hőmérséklet-kapacitás:	40 °C (104 °F)	Üzemi nyomás:	1,2 psi (0,08 bar)
Gyorsított melegítés:	Kb. 1,5 ... 2 °C/óra (3 ... 4 °F/óra)	Sugárfűvőkák:	8 db	Sós vizes rendszer:	20 W

MEGJEGYZÉS: A fenti fűtési sebesség 25 °C-os (77 °F) környezeti hőmérsékleten végzett laboratóriumi teszt eredményét tükrözi.

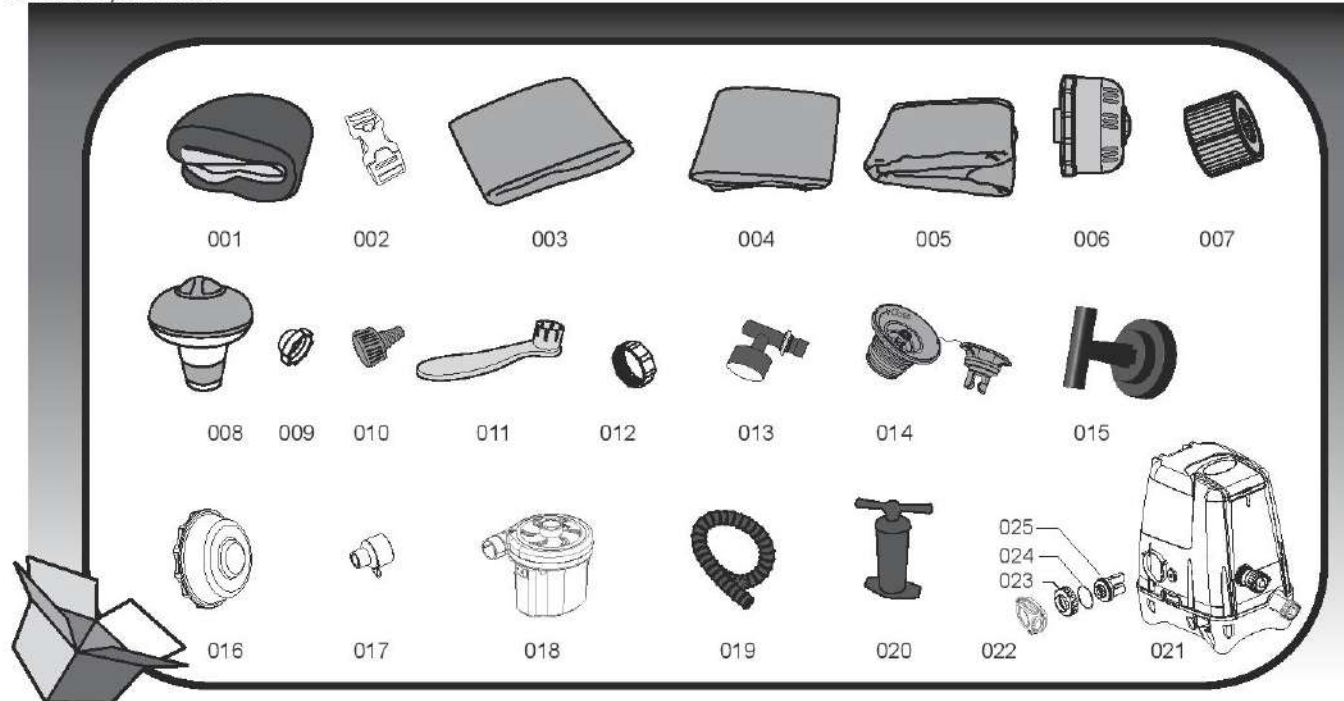


Sorszám	Cikk-kód	Leírás	Menny.
001	54138TASS17	Medencebevonat	1
002	F6414ASS16	Csat	8
003	P5511GASS17	Műbőr bevonat	1
004	54138GASS17	Felfújható fedél	1
005	58371(H)S16	Padlómatrac	1
006	P6930	Felfújó tömlő	1
007	P6653	Szűrőkészlet	1
008	58323	Szűrőkazetta	2
009	58426S17	Úszó vegyszeradagoló	1
010	P6575	Zárósapka (szűrőkimenethez)	1
011	P6H565	Tömlőadapter	1
012	F6H189	Csavarkulcs (légszelephez)	1
013	P6611	A bevonatadapter	1
014	P61199	Nyomásmérő	1
015	P6H971	Felfújószelep	1
016	P61385	Csavarkulcs (sós klórozó rendszerhez)	1
017	P61290	Zárósapka (vízsugárbemenethez)	1
018	P4H125ASS17	Fürdőszivattyú	1
019	P61334	Sapka	1
020	P61386	Elektrolitcella anyája	1
021	P61388	Elektrolitcella O gyűrűje	1
022	P61387	Elektrolitcella	1
023	P61587	Fürdőmedence-zárósapka	2

A LAY-Z-SPA™ PALM SPRINGS HYDROJET SPECIFIKÁCIÓJA (#54144)

Kapacitás:	4–6 felnőtt	Sós vizes rendszer:	20 W	Sugárszivattyú:	1.200 W
Vízbefogadó-képesség	795 l (210 gal)	Fűtőelem:	2.000 W 20 °C-on	Tényleges vízáramlás:	1.325 L/óra (350 gal/óra)
Felfújási méret:	1,96 m x 71 cm (77" x 28")	Szivattyú:	50 W-os keringető szűrőszivattyú	Névleges adatok:	220 ... 240 V AC, 2.060 W 20 °C-on
Töltött tömeg:	864 kg (1905 lb)	Hőmérséklet-kapacitás:	40 °C (104 °F)	Üzemi nyomás:	1,2 psi (0,08 bar)
Gyorsított melegítés:	Kb. 1,5 ... 2 °C/óra (3 ... 4 °F/óra)	Sugárfűvőkák:	8 db	Váltakozó áramú levegőszivattyú:	110 W

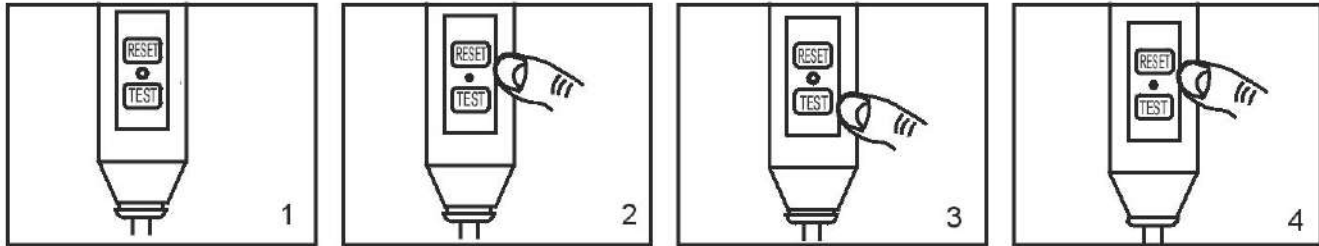
MEGJEGYZÉS: A fenti fűtési sebesség 25 °C-os (77 °F) környezeti hőmérsékleten végzett laboratóriumi teszt eredményét tükrözi.



Sorszám	Cikk-kód	Leírás	Menny.
001	54144TASS17	Medencebevonat	1
002	F6414ASS16	Csat	6
003	P5532GASS17	Műbőr bevonat	1
004	54144GASS17	Felfújható fedél	1
005	58321(H)S15	Padlómatrac	1
006	P6653	Szűrőkészlet	1
007	58323	Szűrőkazetta (VI)	2
008	58426S17	Úszó vegyszeradagoló	1
009	P6575	Zárósapka	1
010	P6H565	Tömlőadapter	1
011	F6H189	Csavarkulcs (légszelephöz)	1
012	P61587	Fürdőmedence-zárósapka	2
013	P61199	Nyomásmérő	1
014	P6H971	Felfújószelep	1
015	P61385	Csavarkulcs (sós klórozó rendszerhez)	1
016	P61290	Zárósapka (vízsugárbeemenethez)	1
017	P61330	Váltakozó áramú légszivattyú tömlőadaptere	1
018	P61329	Váltakozó áramú levegőszivattyú	1
019	P61327	Felfújó tömlő	1
020	P61326	Kézipumpa	1
021	P4H127ASS17	Fürdőszivattyú	1
022	P61334	Sapka	1
023	P61386	Elektrolitcella anyája	1
024	P61388	Elektrolitcella O gyűrűje	1
025	P61387	Elektrolitcella	1

Szivattyúteszt

PRCD teszt



MEGJEGYZÉS: Az ábrák csak illusztrációként szolgálnak. Az ábrák nem feltétlenül a vonatkozó terméket mutatják. Az ábrák nem méretarányosak.

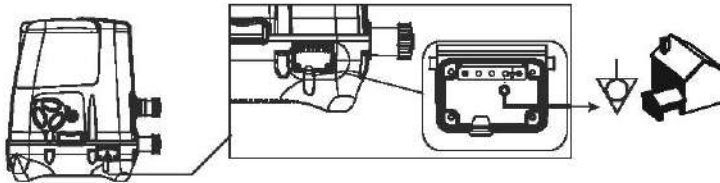
1. Illessze be a záródugót.
2. Nyomja meg a „RESET” gombot, mire a jelzőlámpa kigyullad.
3. Nyomja meg a „TEST” gombot, mire a jelzőlámpa kikapcsol.
4. Nyomja meg a „RESET” gombot, mire a jelzőlámpa kigyullad.
5. Tartsa 2 másodpercig lenyomva az „On/Off” gombot. A szivattyú használatra készen áll.



FIGYELMEZTETÉS: Az áramütésveszély elkerülése érdekében a biztonsági PRCD csatlakozódugó állapotát minden használat előtt ellenőrizni kell.

FIGYELMEZTETÉS: Mielőtt bedugná a dugót a konnektorba, győződjön meg arról, hogy a konnektor megfelelő a szivattyúhoz.

FIGYELMEZTETÉS: Ne használja a szivattyút, ha az ellenőrzés során hibát észlel, és forduljon a legközelebbi Bestway értékesítés utáni szolgálathoz.



FÜRDŐSZIVATTYÚ POTENCIÁLKIEGYENLÍTŐ ÉRINTKEZŐJE

Javasljuk, hogy szakképzett villanszerelő csatlakoztassa a fürdőszivattyú földelését (legalább) 2,5 mm² átmérőjű tömör réz kábelével.

ÖSSZESZERELÉS

FIGYELMEZTETÉS: A kiválasztott helynek képesnek kell lennie elviselnie a várt terhelést.

FIGYELMEZTETÉS: Mind beltéri, mind szabadtéri telepítés esetén gondoskodni kell a túlfolyó vizet elvezetni képes megfelelő csatornarendszerről.

MEGJEGYZÉS: Csak a Hydro-Jet Pro fürdőmedence rendelkezik Lay-Z-Massage gombbal. Felfújás közben a levegő észrevehetően szivárogni fog arról a területről, ahol a levegőtömítő a szivattyúhoz csatlakozik – ez normál jelenség, ami megakadályozza a túlfújás miatti károsodást.

MEGJEGYZÉS: Ne használjon levegőkompresszort a medence felfújására.

MEGJEGYZÉS: Ne húzza a medencét durva talajon, mert a medencebevonat megsérülhet.

MEGJEGYZÉS: A felfújási idő csak referenciaként szolgál.

MEGJEGYZÉS: A nyomásmérő csak felfújási célt szolgál, és a nyomásmérő értéke csak tájékoztató érték, a mérő nem használható precíziós műszerként.



A légszelep ellenőrzése

A telepítés előtt mindig ellenőrizze gondosan a légszelepet, hogy a levegő nem szivárog-e belőle. Ha a légszelep meg van lazulva, a mellékelt kulccsal húzza meg a légszelepet a következő módon: Az egyik kezével a légszelep hátoldalát a fürdő belső oldala felől tartva a másik kezével forgassa el a kulcsot óráirányban.

MEGJEGYZÉS:

1. Ne húzza túl.
2. Ne állítson a légszelep csatlakozóján, ha a fürdő használatban van.

A HAWAII HYDROJET PRO ÖSSZESZERELÉSE (54138-as)

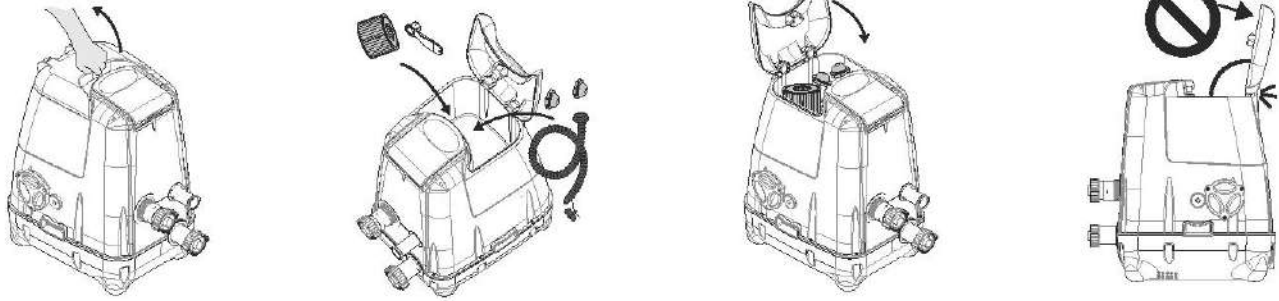
<p>1.</p>	<p>2.</p>	<p>3.</p> <p>Tartsa 2 másodpercig levegőn. 0,08 bar (1,2 psi)</p> <p>Fújja 5 percig.</p> <p>3 másodperc kioldani</p> <p>A felfújás leállításához.</p>	
<p>4.</p> <p>Fújja 2 percig.</p>	<p>5.</p>	<p>6.</p>	
<p>7.</p>	<p>8.</p>	<p>9.</p> <p>MAX. MIN.</p>	<p>10.</p>

A PALM SPRINGS HYDROJET ÖSSZESZERELÉSE (54144-es)

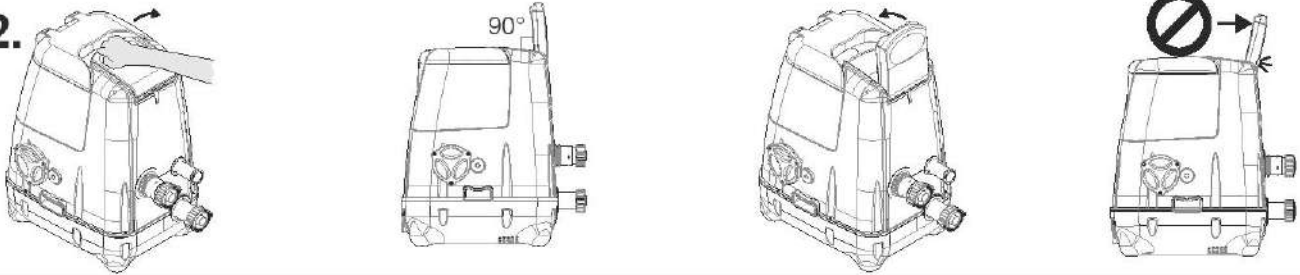
<p>1.</p>	<p>2.</p>	<p>Fújja elő 7 percig.</p> <p>Megjegyzés: A motor nem működtethető egyhuzamban 20 percnél hosszabb ideig.</p>	
<p>3. Folytassa a fürdőmedence felfújását kézipumpával.</p> <p>0,08 bar (1,2 psi)</p>	<p>4.</p> <p>Fújja 3 percig.</p>	<p>5.</p>	
<p>6.</p>	<p>7.</p>	<p>8.</p> <p>MAX. MIN.</p>	<p>9.</p>

HASZNÁLAT

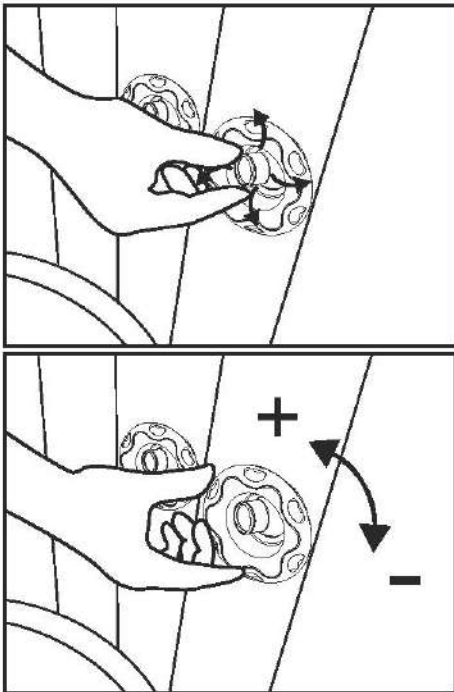
1.



2.

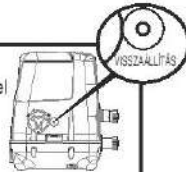


3. A sugárfúvókák beállítása



5. A fűtés visszaállítása

A Lay-Z-Spa első használatakor vagy ha hosszabb ideig nem használta, ne felejtse el kis, hegyes tárggyal megnyomni a szivattyún a visszaállító gombot.



VISSZAÁLLÍTÓGOMB FONTOS HASZNÁLATI UTASÍTÁS

Ha a kezelőpanelen látható hőmérséklet (vagy a vízhőmérséklet) a fűtőrendszer bekapcsolása után 4-5 órával sem változik, egy vékony tárggyal nyomja be a VISSZAÁLLÍTÓGOMBOT, és indítsa újra a fűtőrendszert.

FONTOS: A fűtőrendszer nem fog működni, ha a külső hőmérséklet 40 °C (104 °F) fölötti, vagy ha a Lay-Z-Spa közvetlen napsütésnek van kitéve.

Ilyen esetekben várjon addig, amíg hidegebb napszak nem jön, és csak ezután nyomja meg vékony tárggyal a VISSZAÁLLÍTÓGOMBOT, és indítsa újra a fűtőrendszert. Ezt a műveletet minden olyan alkalommal meg kell ismételni, amikor a szivattyú a fent leírt állapotban van.

4. A sós klórozó rendszer utasítása

MEGJEGYZÉS: A sós klórozó rendszer használatához az alábbiak szerint adjon sót a vízhez.

- (1) A vízkeringtetés elindításához kapcsolja be a HydroJet rendszert.
- (2) Tartsa a sós klórozó rendszert kikapcsolt állapotban.
- (3) Fokozatosan adagoljon be 2 kg (4,4 lbs) sót a fürdőmedencébe. Kizárólag legalább 99,9%-os tisztaságú nátrium-klorid (NaCl) sót használjon vagy vízkondicionáló sópogácsákat (evaporált só préselt formája – de ez lassabban oldódik). Működtesse a HydroJet rendszert 5 percig.
- (4) Ha minden só feloldódott, kapcsolja be a sós klórozó rendszert, és állítsa be a működési időtartamát (lásd a sós klórozó gomb használati útmutatójában).

MEGJEGYZÉS: Tegye föl a fürdőmedence fedelét a sós klórozás idejére.

E11 Ha a sószint túl alacsony, adagoljon be sót

Ha túl kevés sót adagolt be, a panelen az „E11” hibakód látható.

- (1) Válassza le a fürdőmedencét, és csatlakoztassa vissza, majd nyomja meg a visszaállító gombot.
- (2) Kapcsolja be a HydroJet rendszert.
- (3) Fokozatosan adagoljon be 0,5 kg (1,1 lbs) sót.
- (4) Indítsa el a sós klórozó rendszert.
- (5) Ha az „E11” hibakód továbbra is jelentkezik, ismételje a fenti lépéseket addig, amíg az „E11” hibakód el nem tűnik.

E10 Ha a sószint túl magas, csökkentse a só mennyiségét

Ha túl sok sót adagolt be, a panelen az „E10” hibakód látható.

- (1) Válassza le a fürdőmedencét.
- (2) Őrítse le a medencevíz nagyjából 20%-át, és friss vízzel töltsé szintre a medencét.
- (3) Indítsa el a sós klórozó rendszert.
- (4) Ha az „E10” hibakód továbbra is jelentkezik, ismételje a fenti lépéseket addig, amíg az „E10” hibakód el nem tűnik.

- A Reteszelés/kioldás gomb**
A szivattyú 5 perces automata reteszeléssel van ellátva. A szivattyú reteszelőkor (egy funkció sincs aktív) a LED lámpa kialszik. A szivattyú reteszeléséhez vagy kioldásához tartsa az újrat 3 másodpercig a reteszelés/kioldás gombon.
- B Lay-Z-Massage gomb (Hydro-Jet Pro esetén)**
Ez a gomb a 30 perces automatikus leállítási funkcióval rendelkező masszázrendszer bekapcsolására szolgál.
A Lay-Z-Massage gomb fölötti lámpa a rendszer bekapcsolásakor pirosan világít.
- FONTOS:** Ha a fedél fent van, ne működtesse a Lay-Z-Massage masszázrendszerrel. A levegő felgyűlhet a fürdőben, és helyrehozhatatlan károkat és személyi sérülést okozhat a fedélben.
- MEGJEGYZÉS:** A fűtés- és masszázrendszer egymással párhuzamosan működve gondoskodik a meleg masszázselemlényről.

C HydroJet gomb
Ez a gomb be- vagy kikapcsolja a vízszivattyút.
A HydroJet gomb fölötti lámpa a rendszer bekapcsolásakor pirosan világít.

Megjegyzés: A rendszer 1 órány működés után automatikusan lekapcsol.
Megjegyzés: Ne működtesse szárazon a HydroJet rendszert.

D Fűtés gomb
Ez a gomb a fűtőrendszer bekapcsolására szolgál. Ha a fűtés gomb fölötti lámpa pirosan világít, a fűtőrendszer be van kapcsolva. Ha a lámpa zölden világít, a víz elérte a beállított hőmérsékletet, és a fűtőrendszer nyugalmi állapotban van.

MEGJEGYZÉS: A fűtőrendszer bekapcsolásakor a szűrőrendszer automatikusan elindul.
MEGJEGYZÉS: A fűtőrendszer kikapcsolásakor a szűrőrendszer tovább fog működni.

E Vízszűrő gomb
Ez a gomb be- vagy kikapcsolja a vízszűrőszivattyút.
A vízszűrő gomb fölötti lámpa a rendszer bekapcsolásakor pirosan világít.

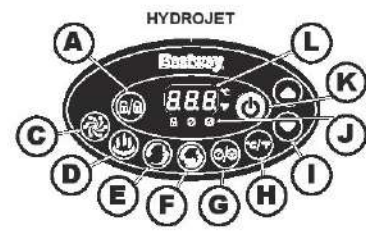
MEGJEGYZÉS: A beépített vízáztató funkció automatikusan működik.

F Sós klórozó gomb
Ezzel a gombbal kapcsolja be a sós klórozó rendszert, és állítja be a működési időtartamát. A működési időtartam 3... 5 óra között állítható be a sós klórozó gomb megnyomásával. A működési időtartamának beállítása után a sós klórozó automatikusan elkezd dolgozni.

MEGJEGYZÉS: Ne nyomja meg a panel egyik gombját sem, és a sós klórozás idejére tegye fel a FÜRDŐMÉDENCE fedelét. A működési időtartam a sós klórozó gomb újraindításával újra beállítható.
MEGJEGYZÉS: Rendszeresen ellenőrizze a vizet, és győződjön meg arról, hogy a szabad klór szintje 2... 4 ppm között van.

G Energiatakarékos időzítés gombhasználati UTASÍTÁSA
Ez egy új, man hozzáadott energiatakarékos funkció, amely a fürdőmedence fűtési ciklusának idejét és időtartamát szabályozza akadályozza meg a pazarlást.
A funkció segítségével akkor használhatja a fürdőmedencét, amikor csak akarja, és nem kell folyamatosan mennie a fűtésnek.

- 1. LÉPÉS: A fűtés időtartamának beállítása**
1. Nyomja meg a **A** gombot, mire a **L** LED villogni kezd.
 2. A fűtés időtartamának beállításához nyomogassa a **A** vagy **B** gombot (1... 48 óra között).
 3. A fűtés időtartamának megváltoztatásához nyomja meg újra a **A** gombot.
- 2. LÉPÉS: A fűtés MOSTANTÓL számított bekapcsolási időpontjának beállítása**
1. A fűtés időtartamának beállítása után a **L** LED villogni kezd.
 2. A fűtés bekapcsolási időpontját hátra lévő idő beállításához nyomogassa a **A** vagy **B** gombot (0... 99 óra között).
 3. A beállítás megerősítéséhez nyomja meg újra a **A** gombot, vagy művelésvégzés nélkül várjon 10 másodpercet. A **L** LED folyamatosan fénylő fog világítani, a fűtés bekapcsolásának visszaszámítása pedig elindul.
- Az időzítésbeállítások módosítása:** Nyomja meg a **A** gombot, majd a módosításhoz használja a **A** vagy **B** gombot.
- A beállítás törlése:** Tartsa 2 másodpercig lenyomva a **A** gombot.



MEGJEGYZÉS: A beállítást követően a kijelző felváltva fogja mutatni az aktuális hőmérsékletet és az időt.
MEGJEGYZÉS: Az időtartamot (amennyi ideig a fűtés BE LESZ KAPCSOLVA) 1 és 48 óra közé lehet beállítani. A bekapcsolási késleltetés (a fűtés bekapcsolásának MOSTANTÓL számított ideje) 0 és 99 óra között állítható. Ha az időzítő beállítása 0 óra, az azt jelenti, hogy az időzítés funkció nincs bekapcsolva.
Megjegyzés: az időzítő beállítása csak egyszeri használata érvényes – a felhasználó beállítja, hogy mennyi ideig legyen bekapcsolva a fűtési ciklus, és hogy a ciklus mostantól mennyi idő múlva kapcsoljon be. Az időzítő NEM kapcsol be újra, amíg ismét be nem állítja.

H Celsius/Fahrenheit átkapcsológomb
C/F A hőmérséklet megjeleníthető mind Celsius-, mind Fahrenheit-fokban.

I Hőmérséklet-beállító gombok
A hőmérséklet-növelő vagy -csökkentő gomb nyomogatása hatására a LED villogni kezd. Villogás közben az érték a kívánt hőmérsékletre állítható. E gombokat nyomva tartva az értékek gyorsabban fognak nőni, illetve csökkenni. Az új és kívánt hőmérséklet-beállítás 3 másodpercig a kijelzőn marad, hogy megerősítse.

MEGJEGYZÉS: Az alapértelmezett hőmérséklet 35 °C (95 °F).
MEGJEGYZÉS: A hőmérséklet beállítási tartománya 20... 40 °C (68... 104 °F).

J Energiatakarékos időzítés LED
Ha az a LED villog, az azt jelenti, hogy Ön épp a fűtés időtartamának beállítását végzi. A lámpa bekapcsol, amikor a fűtés funkció működni kezd.
Ha az a LED villog, az azt jelenti, hogy Ön épp a fűtés MOSTANTÓL számított bekapcsolási időpontjának beállítását végzi. Ha a lámpa világít, az energiatakarékos időzítés funkció be van állítva.

K Be/ki gomb
A kezelőpanel billentyűinek aktiválásához tartsa 2 másodpercig lenyomva ezt a gombot, mire a lámpa zöldre vált.
Az összes jelenleg aktív funkció kikapcsolásához tartsa 2 másodpercig lenyomva ezt a gombot.

L LED kijelző
888 Bekapcsolt állapotban a LED automatikusan a víz aktuális hőmérsékletét mutatja.
End 72 órás szűrés követően (az energiatakarékos időzítés funkció használata nélkül) a szivattyú hibernálódik, és a kijelzőn megjelenik a villogó „End” (Vége) felirat, valamint a víz aktuális hőmérséklete. A szivattyú hibernált állapotban mind a fűtés, mind a vízszűrési funkció le van tiltva. A szivattyú visszakapcsolásához tartsa 3 másodpercig lenyomva a reteszelés/kioldás gombot.

MEGJEGYZÉS: A vízfűtési sebességet az alábbi körülmények módosíthatják:
- Ha a külső hőmérséklet 15 °C (59 °F) alatti.
- Ha a fedél a fűtés funkció bekapcsolásakor nincs a helyén.
MEGJEGYZÉS: Az aktuális hőmérséklet megjelenítéséhez legalább egy percig futtassa a szűrőrendszert. A külső hőmérséklet mérési pontosságát a mérőszekciók különböző pozícióinak következtében eltérő a fürdő paneljén kijelzett értékeké.

Riasztások

Hibák	Okok	Megoldások
E01	A vízáramlás-érzékelők a szűrő vagy fűtés gomb megnyomása nélkül működnek.	1. Húzza ki a szivattyú dugóját, határozottan (de ne túl erősen) ütögesse meg a szivattyút, majd dugja vissza a dugót. 2. További információért forduljon a legközelebbi Bestway értékesítés utáni szolgálatához.
E02	Az indítást követően vagy a szűrés és/vagy melegítés közben a vízáramlás-érzékelők nem érzékelik a víz áramlását.	1. A fűtőrendszer elindítása előtt távolítsa el a két zárosapkát. Tekintse meg a használati útmutató „Összeszerelés” c. részét. 2. Vegye ki a szűrőegységet a medence belsejéből, és nyomja meg a szűrő vagy a fűtés gombot. Ha nem jelenik meg riasztás, tisztítsa ki vagy cserélje le a szűrőket, és szerelje vissza a szűrőegységet a medencébe. 3. További információért forduljon a legközelebbi Bestway értékesítés utáni szolgálatához.
E03	A szivattyú hőmérsége szerint a vízhőmérséklet kisebb mint 4 °C (40 °F).	1. A víz hőmérséklete kisebb mint 4 °C (40 °F). 2. Ha a vízhőmérséklet 7 °C-nál (44,6 °F) magasabb, a szivattyú hőmérsége elromlott.
E04	A szivattyú hőmérsége szerint a vízhőmérséklet nagyobb mint 50 °C (122 °F).	1. A vízhőmérséklet nagyobb mint 50 °C (122 °F). 2. Ha a vízhőmérséklet 45 °C-nál (113 °F) alacsonyabb, a szivattyú hőmérsége elromlott.
E05	A szivattyú hőmérő-csatlakozásával gondok vannak.	1. A szivattyú hőmérő-csatlakozói nem működnek megfelelően. 2. A szivattyú hőmérsége elromlott.
E08	A kézi visszaállítás hőmegszakító meghibásodott.	A kézi visszaállítási hőmegszakító kioldott.
E09	104 °C (219 °F) a biztosítékhiba történit.	A biztosíték kioldott.
E10	Sótöltés-riasztás.	Túl sok sós adagolt be, vagy túl sok víz párolgott el.
E11	Sóhiány-riasztás.	Nincs elég só a fertőtlenítéshez.
E12	Vízszivárgás a szivattyú belsejében.	A rendszer vízszivárgást észlelt a szivattyú belsejében.
E13	A jelkabel le lett választva.	A kezelőpanel és az áramkör lap közötti jelkabel nincs megfelelően csatlakoztatva.

KARBANTARTÁS

MEGJEGYZÉS: A fürdőt időről időre után kell fújni levegővel. Az éjjel-nappali hőmérséklet-igadozás miatti nyomásváltozás hatására a fürdő bizonyos mértékű levegőt veszít. A megfelelő nyomásra fújás előtt kövesse az összeszerelési utasításokat, és eressze le a fürdőt.

VIGYÁZAT: A KARBANTARTÁSI MUNKÁLATOK ELKEZDÉSE ELŐTT MINDENKÉPPEN VÁLASSZA LE A SZIVATTYÚT.

A szűrőkazetta karbantartása

MEGJEGYZÉS: A fürdővíz tiszta állapotának megtartása érdekében az alábbi lépések szerint ellenőrizze és tisztítsa meg a szűrőkazettákat.



MEGJEGYZÉS: Javasoljuk, hogy hetente cserélje le a szűrőkazettákat. Amennyiben a szűrőkazetták elkoszolódtak és elszíneződtek, le kell cserélni őket.

Vízkarbantartás

A FÜRDŐ vizét tisztán és kémiai egyensúlyban kell tartani. Pusztán a szűrőkazetta megtisztítása nem elegendő. Kérjük, tekintse meg az alábbi ajánlások bármelyikét:



1. Használja rendszeresen a beépített sós klórozó rendszert. A klórozó elektrolitcelláján átáramoltatott sós vízben azonnal feloldódik a klórozó által fejlesztett klór. A klór azonnal elkezd tönkretenni a baktériumokat, algákat, és oxidálja az egyéb szerves anyagokat.

Az első használat alkalmával, javasoljuk, hogy friss víz mellett állítsa a használati időt 8 órára, és tesztcsik használatával állítsa be a szabadklór-tartalmat 2 ... 4 ppm közé. Ha a víz hőmérséklet magas vagy a FÜRDŐ nincs lefedve, növelje a használati időt. Ha a FÜRDŐ használatban van, 24 óránként működtesse a klórozórendszert – a használati idő a teszt eredményektől és a FÜRDŐ használatának gyakoriságától függ.

MEGJEGYZÉS: A klórozórendszer első használatakor napi kétszer ellenőrizze a szabadklór-koncentrációt. Amikor a szabadklór-koncentráció beáll, váltsón heti ellenőrzésre, és ügyeljen arra, hogy a szabadklór-koncentráció 2 ... 4 ppm között legyen.

MEGJEGYZÉS: Ne használja a FÜRDŐT 4 ppm-nél magasabb szabadklór-koncentráció esetén.

2. Használjon medencevegyszereket, hogy megőrizze a víz kémiaját – adagoljon be klór- vagy brómtablettákat (ne granulátumot) az úszó vegyszeradagolóval.

Vegyszertabletták (nincs mellékelve) használata

(Hivatkozás: triklór-izocianursav 3 ... 6 g)

Vegyszerfolyadék (nincs mellékelve) használata

(Olvassa el a megvásárolt folyékony vegyszerek használati utasításait)



A vizet nagyjából 3 naponta, vagy megfelelő vegyi karbantartás esetén hosszabb időközönként cserélni kell. A víz minőségére hatással van a használat gyakorisága, a használók személye és az általános karbantartás is.

MEGJEGYZÉS: Javasoljuk, hogy a Lay-Z-Spa használata előtt zuhanyozzon le, mivel a kozmetikai termékek, oldatok és a bőrön maradt egyéb anyagok gyorsan ronthatják a víz minőségét.

MEGJEGYZÉS: Ha a fürdő nincs használatban, vegye ki az úszó vegyszeradagolót a fürdőből.

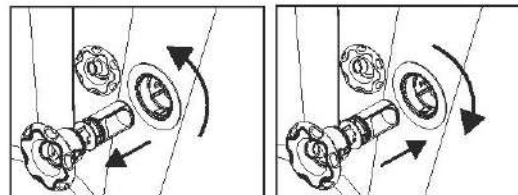
FONTOS: A vegyi karbantartás elvégzését követően és a fürdő használata előtt tesztkészlettel (nincs mellékelve) ellenőrizze a víz kémiaját. Javasoljuk, hogy az alábbi táblázatban foglaltak szerint tartsa karban a vizet.

pH	Összes lúgosság	Szabad klór
7,4 ... 7,6	80 ... 120 ppm	2 ... 4 ppm

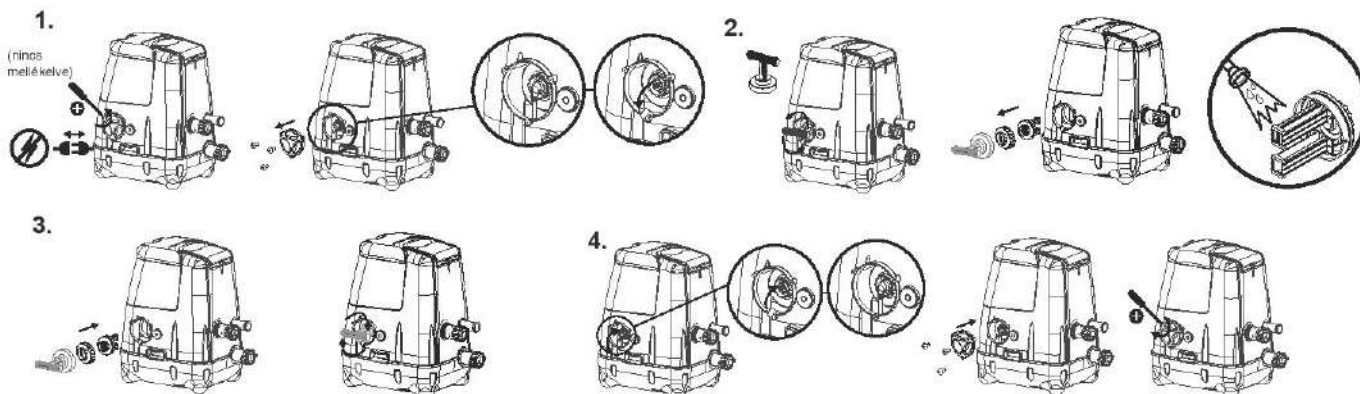
MEGJEGYZÉS: A kémiai egyensúly hiánya által okozott károokra nem vonatkozik a garancia. A medencében használt vegyszerek potenciálisan mérgezők, ezért óvatosan kezelendők. A vegyszergőzők és a vegyszertároló edények helytelen címkezése súlyos egészségügyi kockázatot jelentenek. A vegyi karbantartással kapcsolatos további információkért forduljon a legközelebbi medencetorgalmazóhoz. Szigorúan tartsa be a vegyszer gyártójának utasításait. A fürdőnek a vegyszerek nem rendeltetésszerű használatából és a fürdővíz rossz kezeléséből eredő károsodására nem vonatkozik a garancia.

A sugárfúvóka karbantartása

1. Forgassa el kattanáig, majd húzza ki a sugárfúvókát, és tisztítsa meg a törmeléktől.
2. A visszarakáshoz helyezze vissza, és forgassa el óráirányban.



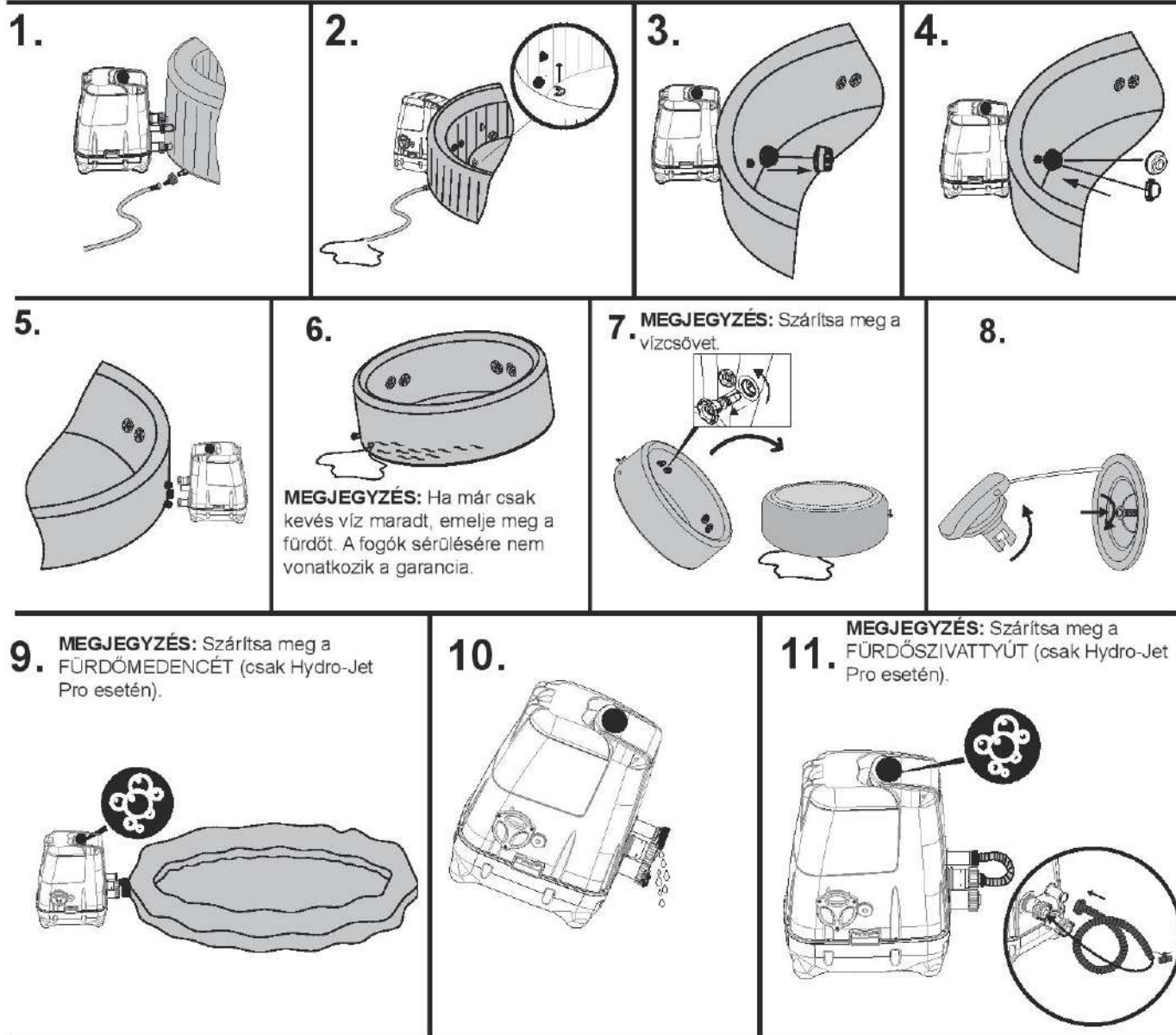
A sós klórozó rendszer karbantartása



MEGJEGYZÉS: Ha a mosás után lerakódások maradnak, tegye be az elektrolitcellát egy edénybe. Töltsön be az edénybe konyhai ecetet, és 4 órán át áztassa benne a titánlemezt, majd mossa el újra. Szükség esetén ismételje meg a műveletet.

A fürdő leeresztése

MEGJEGYZÉS: Az ábrák csak illusztrációként szolgálnak. Az ábrák nem feltétlenül a vonatkozó terméket mutatják. Az ábrák nem méretarányosak.



A fürdő tisztítása A tisztítószer-maradványok és az úszóruhákból és vegyszerekből származó feloldott, szilárd anyagok kirakódhatnak a fürdő falaira. Szappanos vízzel tisztítsa le a falakat, és öblítse le alaposan.

MEGJEGYZÉS: NE használjon durva kefét vagy dörzshatású tisztítószereket:

Fürdőjavítás

Felfújható fürdőfedél esetén

Ha a fürdő kiszakad vagy kilyukad, használja a mellékelt, nagy teherbírási javítótapaszt.

1. Tisztítsa meg a javítandó területet.
2. Óvatosan húzza le a tapaszt.
3. Nyomja a tapaszt a javítandó területre.
4. A felfújás előtt várjon 30 percet.

Fürdőmedence-bevonat esetén

Ha a fürdő kiszakad vagy kilyukad, használja a mellékelt PVC anyagú javítótapaszt és ragasztót (nincs mellékelve) a következő lépések szerint:

1. Tisztítsa és szárítsa meg a javítandó területet.
2. Vágjon ki egy megfelelő méretű darabot a foltként szolgáló mellékelt PVC lapból.
3. A ragasztóval (nincs mellékelve) vonja be az újonnan kivágott folt egyik oldalát. Győződjön meg arról, hogy a ragasztó egyenletesen van felhívve.
4. Várjon 30 másodpercet, majd helyezze föl a ragasztóval ellátott, kivágott foltot a sérült területre.
5. Simítsa ki az esetlegesen a folt alatt rekedt légbuborékokat, és két percig tartsa határozottan nyomva.
6. A felfújás előtt várjon 30 percet.
7. A termék most már ismét készen áll a használatra. Ha további szivárgást tapasztal, ismételje meg a fenti eljárást.

A Lay-Z-Spa tárolása

Mielőtt tárolásra eltenné, gondoskodjon arról, hogy a fürdő és a szivattyú teljesen megszáradjon. Ez alapvető fontosságú a fürdő élettartamának meghosszabbításához. Javasoljuk, hogy a szivattyúval fújja szárazra a fürdőt, a szivattyút és a csöveket. Távolítsa el a szűrőegységeket, és dobja ki az elhasznált szűrőkazettákat. Csatlakoztassa újra a két zárócsapot a fürdő bemenő- és kimenőszelvényére. Javasoljuk, hogy a fürdőt az eredeti csomagolásban, nedvességtől védett, meleg helyen tárolja.

MEGJEGYZÉS: A műanyag nulla fok alatti hőmérsékleteken rideggé és törékennyé válik. A fagy súlyos károkat tehet a fürdőben. A fürdő nem megfelelő téli tárolása a garancia elvesztését eredményezheti.

Ártalmatlanítás Az áthúzott, kerek kuka szimbólum jelentése: Ne dobja ki az elektromos készülékeket háztartási hulladékként, hanem a megfelelő gyűjtőhelyeken adja le őket. A rendelkezésre álló gyűjtőrendszerekkel kapcsolatos információért forduljon a helyi önkormányzatához. Ha az elektromos készülékeket szeméttelen vagy hulladéklerakóban helyezik el, veszélyes anyagok kerülhetnek belőlük a talajvízbe, majd onnan az élelmiszerláncba, ami károsíthatja az egészséget és a jólétet. A régi készülékek új készülékekre cserélésekor a kereskedőnek jogszabályi kötelessége, hogy ártalmatlanítás céljából legalább térítésmentesen visszavegye a régi készüléket.

HIBAELHÁRÍTÁS A Bestway arra törekszik, hogy a piacon kapható legproblémamentesebb fürdőket kínálja. Ha bármilyen problémát észlel, ne habozzon, vegye fel a kapcsolatot a Bestwayjel vagy annak hivatalos forgalmazóival. Íme néhány hasznos tipp a legáltalánosabb hibaokok felismeréséhez és elhárításához.

Problémák	Lehetséges okok	Megoldások
Nem működik a szivattyú.	<ul style="list-style-type: none"> - Áramkimaradás történt. - Az áramellátás megszakadt. 	<ul style="list-style-type: none"> - Ellenőrizze az áramellátást. - További információért forduljon a legközelebbi Bestway értékesítés utáni szolgálathoz.
A szivattyú nem fűt megfelelően.	<ul style="list-style-type: none"> - A hőmérséklet túl alacsonyra lett állítva. - A szűrőkazetta koszos - A hőmegszakító kioldott. - A fűtőelem meghibásodott. 	<ul style="list-style-type: none"> - Állítsa magasabb hőmérsékletre a fűtőrendszert a szivattyú használatára vonatkozó részben megadottak szerint. - Tisztítsa meg/cserélje le a szűrőkazettát (lásd a szűrőkazetta tisztításáról és lecseréléséről szóló részben). - Nyomja meg a szivattyú visszaállítógombját a szivattyú használatára vonatkozó részben megadottak szerint. - További információért forduljon a legközelebbi Bestway értékesítés utáni szolgálathoz.
A Lay-Z-Massage nem működik.	<ul style="list-style-type: none"> - A levegőszivattyú túlmelegszik. - A Lay-Z-Massage automatikusan leáll. - A levegőszivattyú elromlott. 	<ul style="list-style-type: none"> - Válassza le a szivattyú csatlakozását, és várjon két órát, hogy a szivattyú lehűljön. Dugja be a dugót, és nyomja meg a Lay-Z-Massage gombot - Az újrakapcsoláshoz nyomja meg a Lay-Z-Massage gombot. - További információért forduljon a legközelebbi Bestway értékesítés utáni szolgálathoz.
A szivattyúadapterek nincsenek egy szintben a fürdő adaptereivel.	<ul style="list-style-type: none"> - A PVC-re jellemző, hogy változik az alakja – ez normális jelenség. 	<ul style="list-style-type: none"> - Emelje meg a szivattyút fával vagy más szigetelő anyaggal úgy, hogy a szivattyú adapterei egy szintbe kerüljenek a fürdő adaptereivel.
Fürdőmedence-szivárgás.	<ul style="list-style-type: none"> - A fürdő kiszakadt vagy kilyukadt. - A légszelep kilazult. 	<ul style="list-style-type: none"> - Használja a mellékelt javítópaszt. - Szappanos vízzel fedje be a levegőszelepet, hogy ellenőrizze, hogy szivárog-e. Ha igen, akkor a következő lépések végrehajtása után a mellékelt csavar kulccsal húzza meg a levegőszelepet: <ol style="list-style-type: none"> 1. Eressze le a FÜRDŐBŐL a levegőt. 2. Az egyik kezével a légszelep hátoldalát a fürdő belső oldala felől tartva a másik kezével forgassa el a kulcsot óráirányban.
A víz nem tiszta.	<ul style="list-style-type: none"> - Elégtelen szűrési idő. - A szűrőkazetta koszos - Nem megfelelő vízkarbantartás - A fertőtlenítő-rendszer nem működik - A titánlemezen bevonat keletkezett. - Nem volt elegendő fertőtlenítési idő. 	<ul style="list-style-type: none"> - Növelje a szűrési időt. - Tisztítsa meg/cserélje le a szűrőkazettát (lásd a szűrőkazetta tisztításáról és lecseréléséről szóló részben). - Tartsa be a vegyszer gyártójának utasításait. - Ellenőrizze az áramellátást, vagy további információért forduljon a legközelebbi Bestway értékesítés utáni szolgálathoz - Tisztítsa meg a titánlemezt (lásd a sós klórozórendszer karbantartásáról szóló részben).
A PRCD teszt nem sikerült.	A fürdő meghibásodott.	Forduljon a legközelebbi Bestway értékesítés utáni szolgálathoz, és juttassa vissza a FÜRDŐT.
A HydroJet nem működik.	<ul style="list-style-type: none"> - A vízszivattyú túlmelegszik. - A vízszivattyú elromlott. 	<ul style="list-style-type: none"> - Válassza le a szivattyú csatlakozását, és várjon két órát, hogy a szivattyú lehűljön. Dugja be, és próbálja újra. - További információért forduljon a legközelebbi Bestway értékesítés utáni szolgálathoz
A kezelőpanel nem működik.	<ul style="list-style-type: none"> - A kezelőpanel automata billentyűzár funkcióval rendelkezik, mely 5 perces téltlenség után bekapcsol. A LED-es kijelzőn egy ikon található: . Ha a zárt lakat ikon világít, az azt jelenti, hogy a kezelőpanel billentyűzárva zárva van. - A kezelőpanel nincs aktiválva. 	<ul style="list-style-type: none"> - A kezelőpanel billentyűzárának kioldásához tartsa 3 másodpercig lenyomva a  gombot. Ha a kezelőpanel billentyűzárva nem kapcsol ki, indítsa újra a szivattyút – válassza le a szivattyú csatlakozását, majd dugja vissza. - Tartsa 2 másodpercig lenyomva a be/ki gombot. Ha a probléma továbbra is fennáll, további információért forduljon a legközelebbi Bestway értékesítés utáni szolgálathoz.
Milyen vegyszereket használnak a víz karbantartására?	A vegyi karbantartással kapcsolatos információkért forduljon a legközelebbi vegyszerbeszállítóhoz. Szigorúan tartsa be a vegyszer gyártójának utasításait.	
A víz szivárog a szivattyú és a fürdőmedence közti adapterekből.	A víz kifolyásának megakadályozása érdekében helyezze föl a három zárósapkát a medence csatlakozóira, majd válassza le a szivattyút. Ellenőrizze, hogy a tömitések megfelelően vannak-e behelyezve a szivattyúadapterek belsején. Ha a tömitések hiányoznak vagy nem megfelelően vannak beszerelve, további információért forduljon a legközelebbi Bestway értékesítés utáni szolgálathoz. Ha a tömitések megfelelően a helyükön vannak, csatlakoztassa újra a szivattyút a medencéhez, majd kézzel húzza meg az adaptereket.	

Korlátozott BESTWAY® gyártói garancia

A vásárolt termékhez korlátozott garancia jár. A Bestway® áll a minőségi garanciák mögött és cseregaranciájával biztosítja, hogy a terméke minden gyártói hibától mentes lesz.

A garanciaigény érvényesítéséhez ezt az űrlapot ki kell tölteni, és a nyugta/vásárlási bizonylat másolatával együtt át kell adni a Bestway értékesítés utáni szolgálatnak. Kérjük, mindenfajta dokumentum elküldése előtt vegye fel a kapcsolatot a Bestway legközelebbi, értékesítés utáni szolgálatával. Tőlük mindent megtudhat arról, hogy a garanciaigény érvényesítéséhez mi szükséges. A Bestway® nem cserél olyan termékeket, amelyekről úgy ítéli meg, hogy hanyag kezelés vagy a használati útmutatóban leírtak szerinti használat figyelmen kívül hagyása miatt sérültek meg.

A Bestway garancia a termék kicsomagolásakor vagy a terméknek a használati útmutatóban foglalt ajánlások betartása melletti használatakor felfedezett gyártási hibákra terjed ki. Ez a garancia csak harmadik fél által nem módosított termékekre vonatkozik. A terméket a műszaki ajánlásoknak megfelelően kell tárolni és kezelni.

Ez a garancia nem vonatkozik a nem rendeltetésszerű használatból, túlhasználatból, hanyagságból eredő hibákra, ideértve, de nem kizárólag, az ütközés, tűz, nem megfelelő feszültség használata, túlzott melegnek való kitettség, nem megfelelő beszerelés, nem megfelelő huzalozás vagy tesztelés, illetve nem megfelelő tárolás miatti károkat.

A cserék és javítások nem hosszabbítják meg a garancia lejárátát. A garancia kezdődátuma az eredeti nyugta/vásárlási bizonylaton szereplő vásárlási dátum.

Válassza ki a FÜRDŐJÉT!



Palm Springs



Hawaii

CÍMZETT: Bestway® Szervizrészleg

Vásárlás dátuma: _____

DÁTUM: _____

Ügyfélszám: _____

FAX/E-MAIL/TEL.: Kérjük, a dokumentum hátoldalán vagy a weboldalunkon keresse meg az Ön országára vonatkozó adatokat: www.bestwaycorp.com

Kérjük, adja meg a teljes címét. **Megjegyzés:** Ha nem a teljes címét adja meg, a szállítmány késedelmesen fog megérkezni.

A Bestway fenntartja a jogot, hogy a fogadó fél hibájából kézbesítetlen csomagok újraküldéséért díjat számoljon föl.

SZÜKSÉGES ADATOK – ADJA MEG A SZÁLLÍTÁSI CÍMET

Név: _____ Cím: _____

Irányítószám: _____ Kereskedő: _____

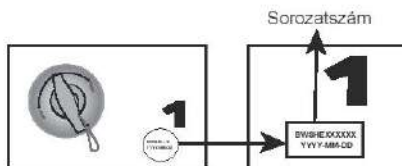
Ország: _____ Város: _____

Mobil: _____ Telefon: _____

Fax: _____ E-mail: _____

FÜRDŐSZIVATTYÚ sorozatszám: _____ FÜRDŐMEDENCE sorozatszám: _____

FÜRDŐSZIVATTYÚ cikkszám: _____



Az ábrák csak illusztrációként szolgálnak. Az ábrák nem méretarányosak.

Probléma leírása

- A fürdő szivárog
- A vízsűrítőrendszer nem működik
- A fűtőrendszer nem működik
- A vezérlőpanel elháríthatatlan hibát jelez
- A Lay-Z-Massage rendszer nem működik
- A szivattyú szivárog
- Az adapter szivárog
- Hiányzó alkatrészek: kérjük, adja meg a hiányzó alkatrész kódját – ez a használati útmutatóban található.
- Egyéb – kérjük, írja le _____

FONTOS: CSAK A SÉRÜLT ALKATRÉSZ LESZ KICSERÉLVE, NEM A TELJES KÉSZÜLÉK.

A Bestway fenntartja a jogot, hogy fényképes bizonyítékot kérjen a hibás alkatrészekről, illetve hogy a termék további tesztelését követelje meg.

Az Ön minél jobb kiszolgálása érdekében arra kérjük, hogy minden Ön által adott információ teljes legyen.

GYAKRAN ISMÉLT KÉRDÉSEK, KÉZIKÖNYVEK ÉS ALKATRÉSZEK ÜGYÉBEN LÁTOGASSON EL www.bestwaycorp.com. CÍMEN TALÁLHATÓ WEBOLDALUNKRA.

HA VIDEÓKRA KIVÁNCSI, LÁTOGASSON EL YOUTUBE-OS BESTWAY-CSATORNÁNKRA: www.youtube.com/user/BestwayService

Bestway

INNEHÅLL

1. Säkerhetsanvisningar.....	S159
2. Specifikationer.....	S162
3. Montering.....	S164
4. Användning	S166
5. Underhåll.....	S168
6. Felsökning	S170
7. Garanti	S171



SÄKERHETSANVISNINGAR

När den elektriska utrustningen installeras och används måste grundläggande försiktighetsåtgärder alltid följas, inklusive följande:

VIKTIGA SÄKERHETSANVISNINGAR - LÄS OCH FÖLJ ALLA ANVISNINGAR.

VARNING:

- Spa-badet måste förses med ström genom en isolerad transformator eller få sin ström genom en jordfelsbrytare med en märkström på max 30mA.
- Pumpen måste testas innan varje användning. För att utföra testet, följ instruktionerna i avsnittet Pumptest i denna manual.
- Om elkabeln är skadad måste den bytas ut av tillverkaren, dess serviceombud eller liknande kvalificerade personer för att undvika fara.
- För att minska risken för elstötar, använd ej en förlängningssladd för att ansluta enheten till eluttaget, se till att ett korrekt placerat eluttag finns.
- Ingen av utrustningens delar får befinna sig ovanför badet medan det används.
- Delar som innehåller spänningsförande delar, med undantag av delar som levereras med en säker extra låg spänning som inte överstiger 12 V, måste vara oåtkomliga för en person i spa-poolen. Delar som innehåller elektriska komponenter, förutom fjärrkontroller, måste placeras eller fästas så att de inte kan falla i spa-poolen.
- Spa-anläggningens kontakt ska vara längre än 3,5m från poolen.
- Det är viktigt att det går att komma åt kontakten efter att spa-badet har installerats.

FÖRSIKTIGHET: För att undvika risker som beror på ouppmärksam återställning av värmesäkringen, får den här apparaten inte förses med ström genom en extern strömbrytare, som t.ex. en timer, eller ansluten till en strömkrets som regelmässigt stängs av och på av användaren. Efter att ditt spa-bad har använts under 3-5 år, bör du ta kontakt med en lokal, behörig underhållstekniker för att försäkra dig om säkerheten och prestandan på ditt spa-bad. Huvudkomponenterna, såsom värmeelement, varmluftsmotorn och backventilerna ska kontrolleras och bytas ut (vid behov) av en professionellt kunnig person.

Varning: Se till att stickkontakten alltid är torr. Det är absolut förbjudet att ansluta den om stickkontakten är våt!

Spa-badet måste förses med jordad elektricitet.

- **FÖR ATT UNDVIKA ELEKTRISKA STÖTAR, ANVÄND INTE SPA-BADET NÄR DET REGNAR.**
- Använd aldrig kontaktlinser i spa-badet.
- Använd aldrig spa-badet medan det genomgår kemiskt underhåll.
- Eluttaget måste befinna sig på en husvägg mer än 4 m från poolen och minst 1,2 m från marken.
- Förlängningssladdar får ej användas.
- Koppla inte ur eller i utrustningen med våta händer.
- Koppla alltid ur utrustningen:
 - på regniga dagar
 - innan rengöring eller annat underhåll
 - om den lämnas obevakad under semestrar
- Rengöring och underhåll måste utföras av en vuxen, 18 år eller äldre, som är bekant med farorna med elektriska stötar.
- När anläggningen inte används under en längre tid, såsom under vintern, ska spa-badet eller pool-setet demonteras och förvaras inomhus.
- **Varning:** Läs instruktionerna innan anläggningen tas i bruk och före varje installation/montering.
- Förvara bruksanvisningen på ett säkert ställe Om instruktioner saknas, vänligen kontakta

tillverkaren eller ladda ner dem på www.bestwaycorp.com

- **Varning: För elsäkerhetens skull har en portabel jordfelsbrytare byggts in i el-sladden. Om den känner av ett ström-läckage på över 10mA så kommer strömmen att stängas av. Om detta skulle inträffa, dra ur sladden och upphör att använda spa-badet omedelbart. Återställ inte produkten själv. Du måste kontakta ditt lokala serviceombud för att kontrollera och reparera produkten.**
- Den här anordningen är ej avsedd att användas av personer (däribland barn), med begränsad fysisk, mental eller sensoriskt förmåga, eller bristande erfarenhet och kunskap, om inte denne person är under uppsyn eller fått instruktioner om anordningens användning av en person som är ansvarig för den förre personens säkerhet. Barn bör hållas under uppsyn så de ej kan leka med anordningen. (För länder utanför EU)
- Produkten kan användas av barn från åtta år och uppåt och av personer med försämrad fysisk, sensorisk eller mental förmåga eller brist på erfarenhet eller kunskap om de hålls under uppsikt eller instruerats i hur produkten används på ett säkert sätt så att de förstår riskerna det innebär. Barn får inte leka med produkten. Rengöring och underhåll skall inte utföras av barn utan uppsikt. (För EU)
- Barn dras till vatten, så täck alltid över spa-badet efter varje användning.
- Gräv inte ner sladden. Dra sladden så att den inte skadas av gräsklippare, häcksaxar eller annan utrustning.
- Risk för drunkningsolyckor. Största möjliga försiktighet måste iaktas för att förhindra att barn kommer åt poolen utan lov. För att undvika olyckor, se till att barn inte kan använda spa-badet utan en vuxens uppsikt.
- **RISK FÖR SKADA.** Använd aldrig spa-badet om in-/utloppsrören är trasiga eller saknas. Försök aldrig ersätta in-/utloppsrören. Konsultera alltid ditt lokala kundcenter
- **RISK FÖR ELEKTRISKA STÖTAR** Installera alltid minst 2 meter från alla metallytor.
- **RISK FÖR ELEKTRISKA STÖTAR** Använd aldrig någon elektrisk apparat när du befinner dig i spa-badet eller när kroppen är våt. Placera aldrig elektrisk utrustning, såsom lampor, telefon, radio eller TV, närmre än 2 meter från spa-badet.
- Vid graviditet kan det skada fostret att ligga för länge i varmt vatten. Begränsa användandet till 10 minuter per gång.
- **FÖR ATT MINSKA RISKEN FÖR SKADOR:**
 - A. Vattentemperaturen i spa-badet bör aldrig överstiga 40 °C (104°F). Vattentemperatur mellan 38 °C (100°F) och 40 °C (104°F) anses vara säkert för en frisk vuxen. Lägre vattentemperatur rekommenderas för yngre barn och när spa-badet används längre än 10 minuter.
 - B. Då för höga vattentemperaturer medför en stor risk för fosterskador under graviditetens första månader bör gravida eller kvinnor som skulle kunna vara gravida bada i högst 38 °C (100°F).
 - C. Innan man kliver i spa-badet bör man kontrollera vattentemperaturen med en tillförlitlig termometer eftersom toleransen hos regulatorn som styr vattentemperaturen varierar.
 - D. Att använda alkohol, droger eller läkemedel innan eller under själva användningen av spa-badet kan leda till medvetslöshet och drunkningsrisk.
 - E. Kraftigt överviktiga personer och personer som tidigare haft hjärtproblem, lågt eller högt blodtryck, cirkulationsrubbingar, eller diabetes bör rådfråga en läkare innan han/hon använder spa-badet.
 - F. Personer som tar läkemedel bör rådfråga en läkare innan de använder spa-badet då vissa läkemedel kan orsaka dåsighet och andra läkemedel kan påverka hjärtfrekvensen, blodtrycket och cirkulationen.
- **FÖR ATT MINSKA RISKEN FÖR SKADOR:** Fyll aldrig vatten i spa-poolen med högre temperatur än 40 °C (104°F).
- Användning av alkohol, droger eller läkemedel kan innebära en mycket ökad risk för dödlig hypertermi. Hypertermi inträffar när kroppens inre temperatur når en nivå som är flera grader över normal kroppstemperatur på 37 °C (98,6°F). Symptom på hypertermi inkluderar en höjning av i kroppens inre temperatur, yrsel, trötthet, dåsighet och svimning. Effekten av hypertermi omfattar oförmågan att uppfatta värme, oförmågan att förstå behovet av att lämna spa-badet eller badkaret, brist på medvetenhet om den förestående faran, fosterskador hos gravida kvinnor, fysisk oförmåga att lämna spa-badet eller badkaret, samt medvetslöshet som resulterar i risk för drunkning.
- Elektriska installationer bör följa nationella kabelregler, kontakta en behörig elektriker om du har frågor.

HÖR MED DIN LÄKARE ANGÅENDE REKOMMENDATIONER.

FÖRSIKTIGHET:

- Spa-badet bör inte monteras eller lämnas ute i temperaturer under 4 °C (40°F).
- Använd inte spa-badet ensam.
- Personer med smittosamma sjukdomar bör inte använda spa-badet.
- Använd inte spa-badet omedelbart efter ansträngande träning.
- Ta det alltid långsamt och försiktigt när du kliver i och ur spa-badet. Våta ytor är hala.
- För att undvika att pumpen skadas får spa-badet aldrig användas om det inte är fyllt med vatten.
- Lämna omedelbart spa-badet om du känner dig obekväm eller sömrig.
- Tillsätt aldrig vatten till kemikalier. Tillsätt alltid kemikalier till vatten för att undvika starka ångor eller våldsamma reaktioner som kan resultera i farliga kemiska stänk.
- Vad gäller information som rör rengöring, underhåll av vattnet och avyttrande av vattnet, läs vidare under avsnittet "UNDERHÅLL".
- Vad gäller information som rör installationen, se vidare i de nedanstående paragraferna i manualen.

OBS!

- Kontrollera utrustningen innan den används. Meddela Bestway via kundtjänst, på den adress som finns i manualen, i händelse av skadade eller saknade delar vid inköpstillfället. Kontrollera att utrustningens delar motsvarar modellen du ämnade köpa.
- Produkten är ej avsedd för kommersiellt bruk.

VARNING FÖR ELEKTRISK LUFTPUMP (För Palm Springs HydroJet):

Den elektriska luftpumpen är inte en del av spa-badet. Du ska använda dig av den elektriska pumpens användarmanual gällande säkerhet.

Den förlängningssladd som används för att pumpa upp poolen är strikt förbjudet att användas för spa-badet.

Efter att poolen har pumpats upp, ska luftpumpen tillsammans med förlängningssladden kopplas ut från elnätsanslutningen och förvaras inomhus.

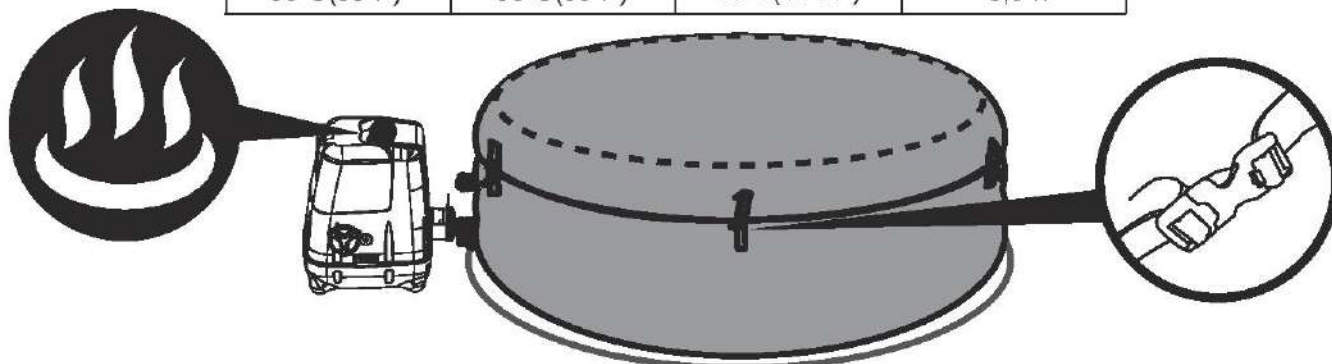
Motorn bör ej användas längre än 20 minuter.

FÖRSIKTIGHET: FÖR ATT UNDVIKA ELEKTRISKA STÖTAR, UTSÄTT EJ FÖR VATTEN ELLER REGN. ENDAST FÖR HEMMABRUK.

SPARA DESSA ANVISNINGAR VIKTIGT!

För att uppnå 40 °C (104°F), är uppvärmningstiden för vattentemperaturen baserad på vattnets och omgivningens temperatur innan start. Nedanstående information är endast en referens. För att visa aktuell vattentemperatur, kör filtersystemet i minst en minut.

Omgivande temperatur	Vattentemperatur	Inställd temperatur	Uppvärmningstid
10°C(50°F)	10°C(50°F)	40°C(104°F)	18,5 h
15°C(59°F)	15°C(59°F)	40°C(104°F)	15 h
20°C(68°F)	20°C(68°F)	40°C(104°F)	11,5 h
25°C(77°F)	25°C(77°F)	40°C(104°F)	8,5 h
30°C(86°F)	30°C(86°F)	40°C(104°F)	5,5 h

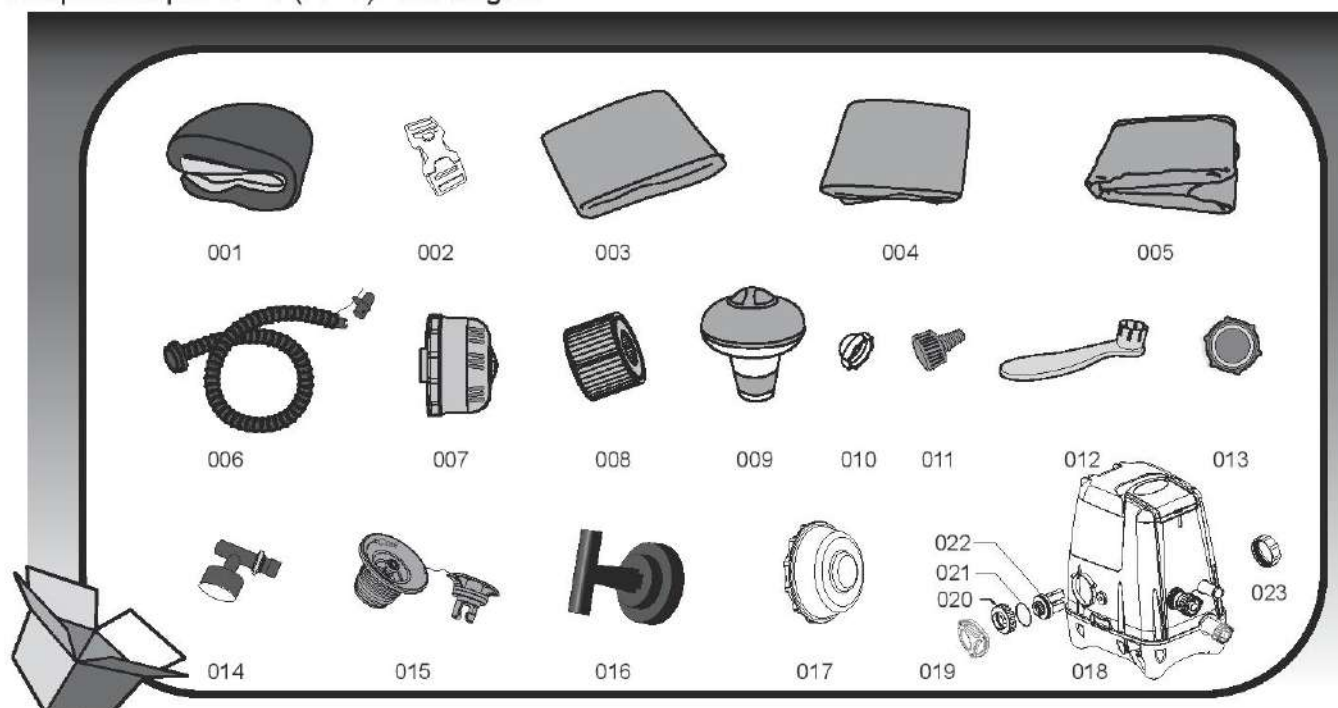


Se till att täcka spa-badet med spa-överdraget när uppvärmningsfunktionen är aktiverad. Om spa-badet ej är övertäckt kommer uppvärmningstiden att öka. Använd inte spa-badet om omgivande temperatur är lägre än 4 °C (39°F).

SPECIFIKATIONER FÖR LAY-Z-SPA™ HAWAII HYDROJET PRO (#54138)

Kapacitet:	4-6 Vuxna	Masserande turboblåsare:	800W	Jetpump:	1.200W
Vattenkapacitet	795 L (210 gal)	Värmeelement:	2.000W vid 20°C	Faktiskt vattenflöde:	1.325 L (350 gal)
Uppblåst storlek:	1,80m x 1,80m x 71cm (71" x 71" x 28")	Pump:	50 W cirkulerande Filterpump	Ström:	220-240V AC, 2.060W vid 20 °C
Fylld vikt:	867 kg (1,911 Lb)	Temperaturkapacitet:	40°C (104°F)	Driftstryck:	1,2 PSI (0,08bar)
Ökad värmehastighet:	Cirka 1,5-2 °C/h (3-4°F/h)	Jet Nozzles:	8 st	Saltvattensystem:	20W

OBS! Ovan uppvärmningshastighet refererar till resultat från laborietest med en omgivande temperatur på 25 °C (77°F) och högre.

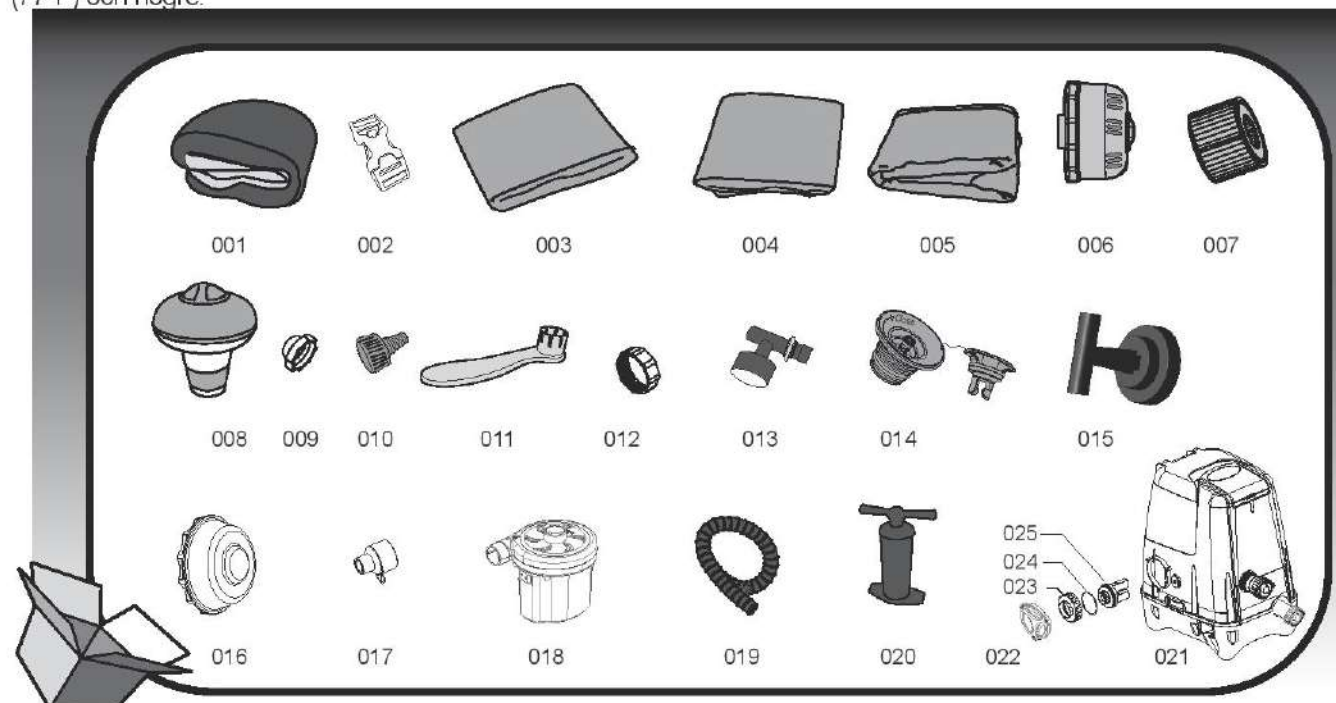


Artikelsnummer	Artikelkod	Beskrivning	Antal
001	54138TASS17	Poolliner	1
002	F6414ASS16	Spänne	8
003	P5511GASS17	Överdrag i läderimitation	1
004	54138GASS17	Uppblåsbart överdrag	1
005	58371(H)S16	Markduk	1
006	P6930	Uppblåsningsslang	1
007	P6653	Filterset	1
008	58323	Filterpatron	2
009	58426S17	Kemisk flottör	1
010	P6575	Propp (för filterutlopp)	1
011	P6H565	Slangadapter	1
012	F6H189	Skiftnyckel (för luftventil)	1
013	P6611	Skydd Adapter A	1
014	P61199	Tryckmätare	1
015	P6H971	Inluftsventil	1
016	P61385	Skiftnyckel (för saltklorinator system)	1
017	P61290	Propp (för jetstråle inlopp)	1
018	P4H125ASS17	Spa-pump	1
019	P61334	Lock	1
020	P61386	Elektrolyscell mutter	1
021	P61388	Elektrolyscell O-ring	1
022	P61387	Elektrolyscell	1
023	P61587	Spa-pool propp	2

SPECIFIKATIONER FÖR LAY-Z-SPA™ PALM SPRINGS HYDROJET (#54144)

Kapacitet:	4-6 Vuxna	Saltvattensystem:	20W	Jet-pump:	1.200W
Vattenkapacitet	795 L (210 gal)	Värmeelement:	2.000W vid 20°C	Faktiskt vattenflöde:	1.325 L (350 gal)
Uppblåst storlek:	1,96m x 71cm (77" x 28")	Pump:	50W Cirkulation filter-pump	Ström:	220-240V AC, 2.060W vid 20 °C
Fyllid vikt:	864 kg (1,905 Lb)	Temperaturkapacitet:	40 °C (104 °F)	Driftstryck:	1,2 PSI (0,08bar)
Ökad värmehastighet:	Ungefär 1,5-2°C/h (3-4°F/h)	Jet Nozzles:	8 st	AC luftpump	110W

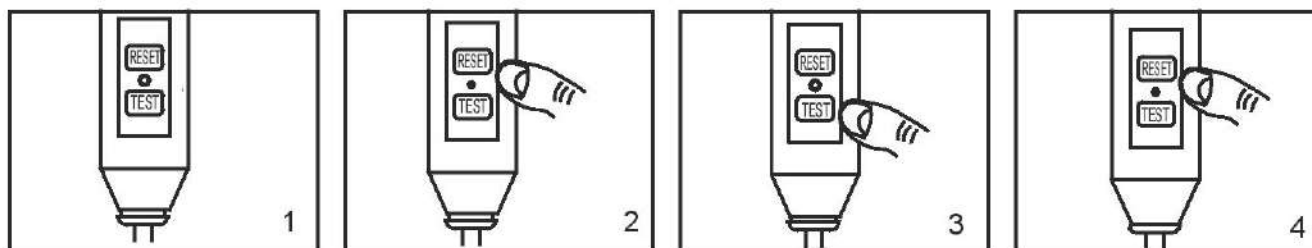
OBS! Övan uppvärmningshastighet refererar till resultat från laboratorietest med en omgivande temperatur på 25 °C (77°F) och högre.



Artikels nummer	Artikelkod	Beskrivning	Antal
001	54144TASS17	Poolliner	1
002	F6414ASS16	Spänne	6
003	P5532GASS17	Överdrag i läderimitation	1
004	54144GASS17	Uppblåsbart överdrag	1
005	58321(H)S15	Markduk	1
006	P6653	Filterset	1
007	58323	Filterpatron (VI)	2
008	58426S17	Kemisk flottör	1
009	P6575	Propp	1
010	P6H565	Slangadapter	1
011	F6H189	Skiftnyckel (för luftventil)	1
012	P61587	Spa-pool propp	2
013	P61199	Tryckmätare	1
014	P6H971	Inluftventil	1
015	P61385	Skiftnyckel (för saltklorinator system)	1
016	P61290	Propp (för jetstråle inlopp)	1
017	P61330	AC adapter för luftpumpsslang	1
018	P61329	AC luftpump	1
019	P61327	Uppblåsningsslang	1
020	P61326	Handpump	1
021	P4H127ASS17	Spa-pump	1
022	P61334	Lock	1
023	P61386	Elektrolyscell mutter	1
024	P61388	Elektrolyscell O-ring	1
025	P61387	Elektrolyscell	1

Pump-test

Jordfelsbrytar-test



OBS! Bilderna är endast avsedda som förklaring. De kan skilja sig från den faktiska produkten. Är ej skalnliga.

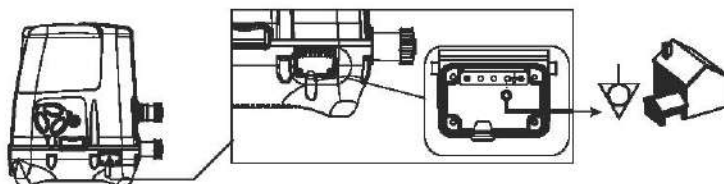
1. Sätt i kontakten.
2. Tryck på "RESET"-knappen, indikatorns ljus tänds.
3. Tryck på "TEST"-knappen, indikatorns ljus släcks.
4. Tryck på "RESET"-knappen, indikatorns ljus tänds.
5. Tryck på "On/Off"-knappen i 2 sekunder, din pump är klar att användas.



WARNING: Jordfelsbrytar-kontakten måste testas innan varje användning för att undvika risken för elektriska stötar.

WARNING: Innan kontakten sätts i eluttaget, se till att strömstyrkan överensstämmer med den som är angiven på pumpen.

WARNING: Använd ej pumpen om den här testen misslyckas, och kontakta vår kundservice.



POTENTIALUTJÄMNANDE TERMINAL FÖR SPA-PUMP

Vi rekommenderar att en behörig elektriker ansluter SPA-badspumpen till ett jordningsuttag med en (minimum) 2,5mm² fast kopparledare.

MONTERING

WARNING: Den utvalda platsen måste kunna bära stödet av den förväntade belastningen.

WARNING: Ett lämpligt dränagesystem måste anskaffas för att ta hand om överflödigt vatten både för inomhus och utomhus installationer.

OBS! Enbart Hydro-Jet Pro SPA har en knapp för Lay-Z-Massage System. När du blåser upp den, kommer du att märka att luft sipprar ut från området där luftslangen kopplas till pumpen, detta är normalt och förhindrar skada på grund av för mycket luft pumpas in.

OBS! Använd inte en luftkompressor för att pumpa upp poolen.

OBS! Dra inte poolen längs ojämn mark, eftersom det kan skada pool-linern.

OBS! Uppumpningstiden är enbart som referens.

OBS! Tryckmätaren är enbart till för uppumpning, trycket som visas är enbart som referens. Det skall ej användas som ett precisionsinstrument

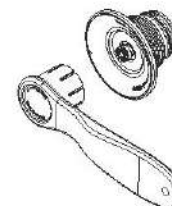
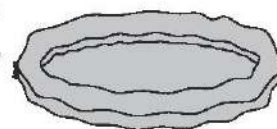
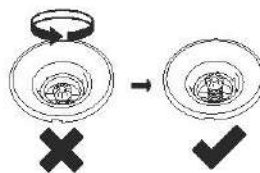


Luftventils-test


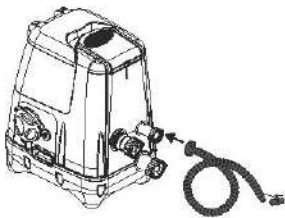
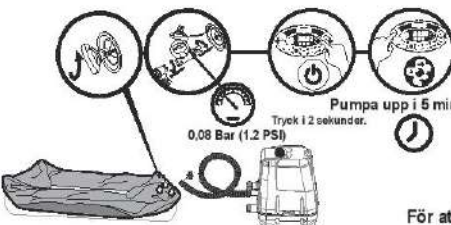
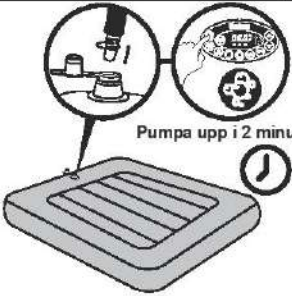
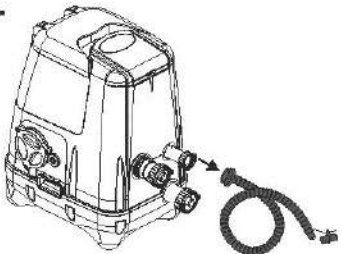
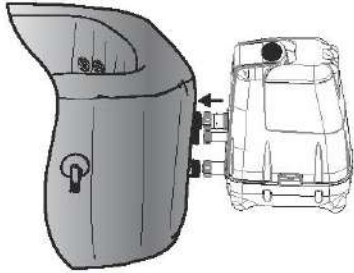
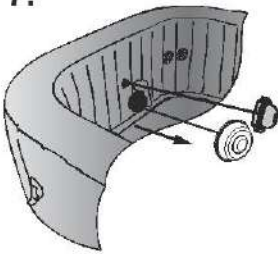
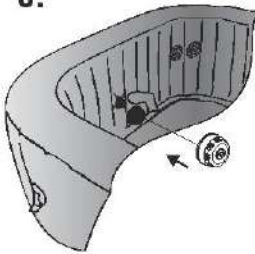
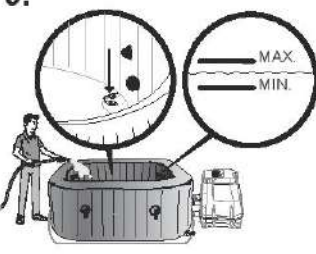

Kontrollera alltid luftventilerna noggrant innan pumpning för att försäkra dig om att det inte finns något luftläckage. Om luftventilerna sitter löst, använd då den medföljande skiftnyckeln för att dra åt luftventilerna genom att följa dessa steg: Håll baksidan av luftventilen med ena handen från insidan av spa-badets vägg och vrid skiftnyckeln medsols.

OBS!

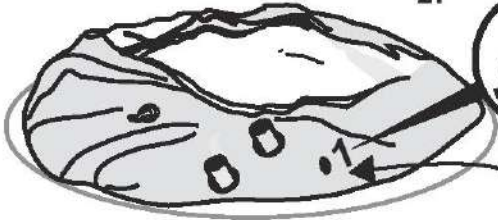
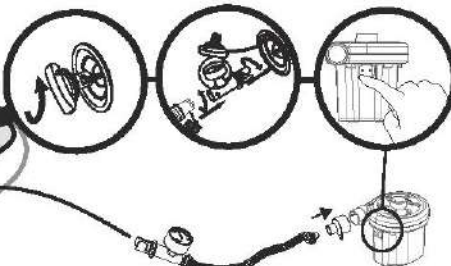
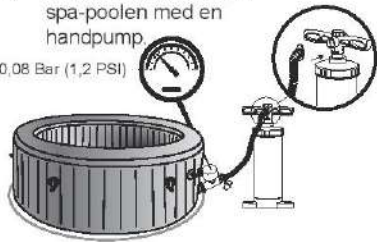
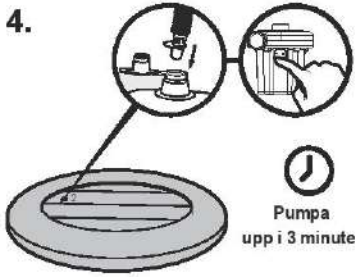
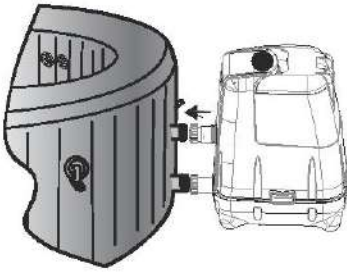
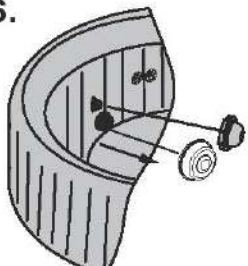
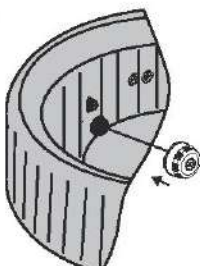
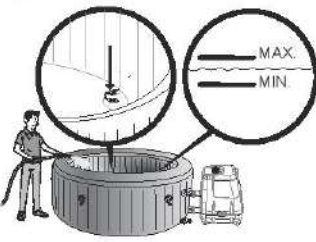

1. Dra inte åt för hårt.
2. Justera inte luftventilerna när spa-badet används.



MONTERING AV HAWAII HYDROJET PRO (#54138)

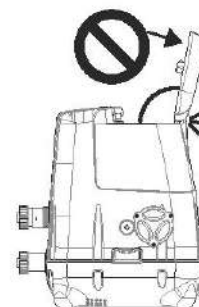
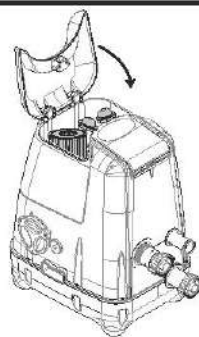
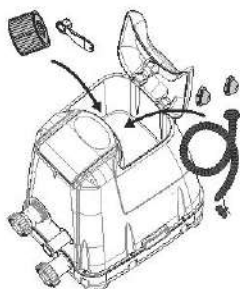
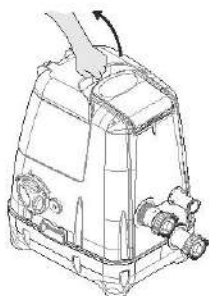
<p>1.</p> 	<p>2.</p> 	<p>3.</p>  <p>3 sekunder för att läsa upp</p> <p>Pumpa upp i 6 minuter.</p> <p>Tryck i 2 sekunder.</p> <p>0,08 Bar (1,2 PSI)</p> <p>För att avsluta pumpningen.</p>	
<p>4.</p>  <p>Pumpa upp i 2 minuter.</p>	<p>5.</p> 	<p>6.</p> 	
<p>7.</p> 	<p>8.</p> 	<p>9.</p>  <p>MAX.</p> <p>MIN.</p>	<p>10.</p> 

MONTERING AV PALM SPRINGS HYDROJET (#54144)

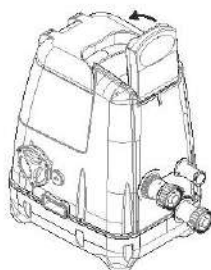
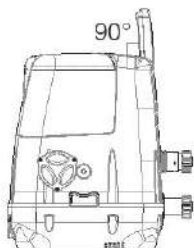
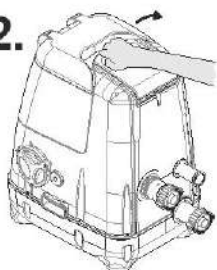
<p>1.</p> 	<p>2.</p> 	<p>Fyll på med luft i förväg i 7 minuter.</p> <p>Obs! Motorn bör ej användas längre än 20 minuter.</p>	
<p>3.</p> <p>Fortsätt att pumpa upp spa-poolen med en handpump</p> <p>0,08 Bar (1,2 PSI)</p> 	<p>4.</p>  <p>Pumpa upp i 3 minuter.</p>	<p>5.</p> 	
<p>6.</p> 	<p>7.</p> 	<p>8.</p>  <p>MAX.</p> <p>MIN.</p>	<p>9.</p> 

ANVÄNDNING

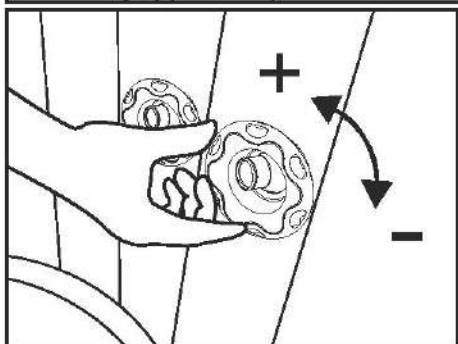
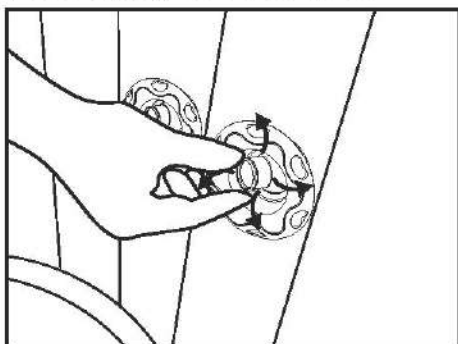
1.



2.



3. Justering av Jet Nozzle



5. Återställning av uppvärmning

När Lay-Z-Spa används första gången, eller efter att den inte har används på lång tid, försäkra dig om att trycka på återställningsknappen på pumpen med ett litet tunt föremål.



ÅTERSTÄLLNINGSKNAPP VIKTIGA ANVÄNDARINSTRUKTIONER

Om temperaturen på kontrollpanelen (eller vattentemperaturen) inte har förändrats 4-5 timmar efter att värmesystemet aktiverades ska du använda ett tunt föremål för att trycka på ÅTERSTÄLLNINGSKNAPPEN och starta om värmesystemet.

VIKTIGT: Värmesystemet kommer inte att fungera om utomhustemperaturen är över 40° C (104 °F) eller om Lay-Z-Spa befinner sig i direkt solljus.

Under dessa förhållanden ska du vänta tills det är svalare ute innan du trycker på ÅTERSTÄLLNINGSKNAPPEN med ett tunt föremål och startar om värmesystemet. Denna procedur måste upprepas varje gång pumpen är i ovan nämnda skick.

4. Instruktion för saltklorinator systemet

OBS! För att använda saltklorinator systemet, tillsätt salt i vattnet och följ nedanstående steg.

- (1). Starta HydroJet systemet för att starta vattencirkulationen.
- (2). Saltklorinator systemet skall vara avstängt.
- (3). Tillsätt 2 kg / 4,4 lbs salt i spa-poolen lite i taget. Använd enbart natriumklorid (NaCl) salt som är minst 99,9% rent eller vattenkonditionerande salttabletter (sammanpressat avdunstat salt - det tar längre tid att lösa upp). Låt HydroJet System vara igång i 5 min.
- (4). När allt salt är upplöst, sätt igång saltklorinator systemet och ställ in arbetstiden (se saltklorinator systemet knapp-instruktion).

OBS! Lägg på spa-överdraget under saltklorinator processen.

E11 Tillsätt salt om saltnivån är för låg

Om inte tillräckligt med salt har tillsatts, kommer displayen att visa felkoden "E11".

- (1). Dra ut spa-badets kontakt och sätt tillbaka den igen, tryck sedan på "Återställ".
- (2). Slå på Hydrojet-systemet.
- (3). Tillsätt lite i taget och lös upp 0,5 kg / 1,1 lbs salt.
- (4). Starta saltklorinator systemet.
- (5). Om "E11"-koden kvarstår, följ de ovanstående stegen tills "E11" koden försvinner.

E10 Ta bort salt om saltnivån är för hög

Om för mycket salt har tillsatts kommer displayen att visa felkoden "E10".

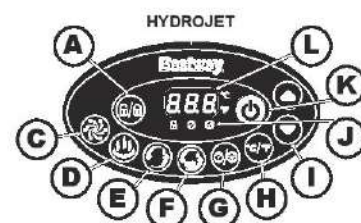
- (1). Koppla ur spa-badet.
- (2). Töm ut och fyll på ca 20 % av vattnet.
- (3). Starta saltklorinator systemet.
- (4). Om "E10"-koden kvarstår, följ de ovanstående stegen tills "E10" koden försvinner.

- A LÄS-/LÄS UPP KNAPP**
Pumpen har ett 5 min autolås. LED-lampen dämpas när pumpen är låst (ingen funktion är aktiverad). För att låsa eller låsa upp pumpen, placera ett finger över läs/läs upp-knappen i 3 sekunder.
- B Lay-Z-Massage System-knapp (För Hydro-Jet Pro)**
Använd denna knapp för att aktivera massagesystemet, vilket stängs av automatiskt efter 30-minuter. Lampen ovanför Lay-Z-Massage System lyser rött när det är aktiverat.
- VIKTIGT:** Sätt ej på Lay-Z-Massage System när överdraget ligger på. Luft kan samlas in i spa-badet och kan orsaka skador som inte går att reparera, samt kroppsskada.
- OBS!** Värme- och massage-system fungerar tillsammans för att skapa en varm massage-upplevelse.

- C HydroJet system-knapp**
Denna knapp slår på och av vattenpumpen. När det lyser rött ovanför HydroJet system-knappen är den aktiverad.
- OBS!** Systemet kommer att stängas av automatiskt efter 1 timme.
- OBS!** Låt inte HydroJet systemet vara i funktion utan vatten.
- D Värme-knapp**
Använd denna knapp för att aktivera värmesystemet. När det lyser rött ovanför värme-knappen är värmesystemet aktiverat. När det lyser grönt, har vatnet nått den inställda temperaturen och värmesystemet är i viloläge.
- OBS!** Om värmesystemet aktiveras, startar filteringsystemet automatiskt.
- OBS!** När värmesystemet stängs av fortsätter filteringsystemet att vara i funktion.

- E Vattenfilterknapp**
Denna knapp slår på och av filterpumpen. När det lyser rött ovanför vattenfilterknappen är den aktiverad.
- OBS!** Inbyggd funktion av behandling av hårt vatten fungerar per automatik.
- F Knapp för saltklorinator systemet**
Använd den här knappen för att sätta på saltklorinator systemet och ställ in hur länge det ska vara igång. Du kan ställa in arbetstiden från 3 timmar till 5 timmar till 8 timmar genom att trycka på saltklorinator systemknapp. Efter att arbetstiden ställs in kommer saltklorinator systemet att fungera automatiskt.
- OBS!** Tryck inte på några knappar på panelen och lägg på spa-överdraget under kloreringsloppet. Du kan justera arbetstiden genom att trycka på saltklorinatorns systemknapp.
- OBS!** Testa vatnet regelbundet och se till att den fria klorhalten är mellan 2-4 ppm.

- G INSTRUKTIONER FÖR energibesparande timer-knapp**
Detta är en nyligen tillagd funktion, utformad för att se till att spara ström genom inställning av tid och varaktighet för uppvärmningscykeln för spa-badet. På så sätt kan du njuta av spa-badet då du vill, utan att behöva ha vattenvärmaren på hela tiden.
- STEG 1:** Ställ in uppvärmningstiden
1. Tryck på knappen och LED-lampen börjar blinka.
 2. Tryck på eller -knappen för att justera uppvärmningstiden (Från 1–48 timmar).
 3. Tryck på -knappen igen för att bekräfta uppvärmningstiden.
- STEG 2:** Ställ in antalet timmar FRÅN OCH MED NU till när vattenvärmaren skall aktiveras
1. Efter att ha ställt in uppvärmningstiden, kommer LED-lampen att börja blinka.
 2. Tryck på eller -knappen för att justera uppvärmningstiden (Från 0-99 timmar).
 3. Tryck på -knappen igen eller låt bli att röra något i 10 sekunder för att bekräfta inställningen. LED-lampen lyser med ett fast sken och nedräkningen för vattenvärmarens aktivering startar.
- Justera timer-inställningar:** Tryck på -knappen och använd eller -knappen för att justera.
- Avbryt inställningen:** Tryck på -knappen i 2 sekunder.



- OBS!** Efter att inställningarna är gjorda visar skärmen aktuell temperatur och tid växelvis.
- OBS!** Timer-justering (tid som värmaren står PÅ) kan ställas in på 1 till 48 timmar. Justering av reserveringstid (antal timmar FRÅN OCH MED NU tills att värmaren startar) kan ställas in på 0 till 99 timmar. Om timern står på 0 timmar betyder det att timer-funktionen ej är inställd.
- Observera att timern enbart kör en cykel – användaren ställer in längden för uppvärmningscykeln, och hur många timmar från aktuell tid som uppvärmningscykeln skall starta. Timern startar EJ på nytt förrän den återställs.

- H Celsius/Fahrenheit växlare**
 Temperaturen kan visas antingen i Celsius eller Fahrenheit.
- I Knappar för temperatur justering**
 Genom att trycka på knapparna för att höja eller sänka temperaturen kommer LED-lampen att blinka. När den blinkar kan du justera till önskad temperatur inställning. Om du håller nere dessa knappar kommer värdena snabbt att minska eller öka. Den nya och önskade temperatur-inställningen kommer att bli kvar på LED-skärmen under 3 sekunder för att bekräfta det nya värdet.
- OBS!** Den förvalda vattentemperaturen är 35°C (95°F).
- OBS!** Temperatur justeringar varierar från 20°C (68°F) till 40°C (104°F).
- J Energibesparande timer-knapp LED**
När den här LED blinkar betyder det att du ställer in varaktigheten på värmen. Lampen är tänd när funktionen för uppvärmningen sätts i funktion. När den här LED blinkar betyder det att du ställer in antal timmar FRÅN OCH MED NU och framåt så värmaren ska sättas igång. När lampen är tänd, är den energisparande timer-funktionen inställd.
- K Av/på-knapp**
 Tryck på knappen i 2 sekunder för att aktivera knapparna på kontrollpanelen och lampen blir grön.
 Tryck på den här knappen i 2 sekunder för att stänga av de aktuella funktionerna.
- L LCD-display**
 När den väl är i funktion, visare LED:en automatiskt den aktuella vattentemperaturen.
 Efter 72 timmars filterning (utan att ha använt energispar timer-funktionen) kommer pumpen att gå i vilja och blinka "Stut" med den aktuella vattentemperaturen. När pumpen är i vilja är både uppvärmning och vattenfilter-funktioner inaktiverade. För att återaktivera pumpen trycker du på läs/läs upp-knappen i 3 sekunder.
- OBS!** Vattenvärmarens frekvens kan ändras i nedanstående situationer
- När utomhus temperaturen är lägre än 15°C (59°F).
 - Om överdraget inte är rätt positionerat när värmefunktionen är aktiverad.
- OBS!** För att visa aktuell vattentemperatur, kör filtersystemet i minst en minut. Vattentemperaturen från den externa termometern kan variera jämfört med den temperatur som visas på spa-badets panel, vilket beror på olika position på mätarutrustningarna.

Larm

Orsaker	Anledningar	Lösningar
E01 Vattenflödessensorn fungerar utan att man trycker på filter- eller uppvärmningsknappen.	1. Vattenflödessensornas markeringar föll inte tillbaka i rätt läge. 2. Vattenflödessensorn är trasiga	1. Koppla från pumpen, slå bestämt på pumpens ena sida (men inte vådsamt) och anslut pumpen igen. 2. Ta kontakt med ditt lokala Bestway kundcenter för vidare instruktioner.
E02 Efter att ha startat funktionerna för filterning och/eller uppvärmning upptäcker inte vattenflödessensorn något vattenflöde.	1. Du har glömt att avlägsna de två propp locken från insidan av poolen. 2. Filterpatronerna är smutsiga. 3. Aktivera filterings- eller uppvärmningssystemet och placera din hand framför utloppsroret inuti poolen för att kontrollera om du kan känna vattnet strömma ut. a. Om inget vatten strömmar ut är vattenpumpen trasig. b. Vatten strömmar ut men larm går igång, vattenflödessensorn är trasiga.	1. Avlägsna de två propp locken innan värmesystemet sätts på. Läs vidare i avsnittet Montering i Användarmanualen. 2. Avlägsna filter-selet från insidan av poolen och tryck på filter- eller uppvärmningsknappen. Om inget larm förekommer, rengör eller byt ut filterpatronerna och återinstallera filterselet inuti poolen. 3. Ta kontakt med ditt lokala Bestway kundcenter för vidare instruktioner.
E03 Pumpens termometer anger vattentemperaturen under 4°C (40°F).	1. Vattentemperaturen är lägre än 4°C (40°F). 2. Om vattentemperaturen är högre än 7°C (44,6°F), är pumpens termometer trasig.	1. Spa-badet är inte utformat för att användas med en vattentemperatur lägre än 4°C (40°F). Koppla ur pumpen och sätt på pumpen igen först när vattentemperaturen nått 6°C (43°F). 2. Ta kontakt med ditt lokala Bestway kundcenter för vidare instruktioner.
E04 Pumpens termometer anger vattentemperaturen över 50°C (122°F).	1. Vattentemperaturen är högre än 50°C (122°F). 2. Om vattentemperaturen är lägre än 45°C (113°F), är pumpens termometer trasig.	1. Spa-badet är inte utformat för att användas med en vattentemperatur som är högre än 40°C (104°F). Koppla ur pumpen och sätt på pumpen igen först när vattentemperaturen nått 38°C (100°F) eller lägre. VIKTIGT: Innan du startar om pumpen, tryck in pumpens återställningsknapp. 2. Ta kontakt med ditt lokala Bestway kundcenter för vidare instruktioner.
E05 Problem med pumpens termometeranslutningar.	1. Pumpens termometeranslutningar fungerar inte korrekt. 2. Pumpens termometer är trasig.	Ta kontakt med ditt lokala Bestway kundcenter för vidare instruktioner.
E08 Den manuella återställningen för överhettningsskyddet har utlösts.	Den manuella återställningen för överhettningsskyddet har utlösts.	1. Koppla från pumpen och tryck på återställningsknappen, där efter kopplar du in pumpen igen. 2. Om larmet fortfarande visas kontrollera då avsnittet ÅTERSTÄLLNINGSKNAPP i manualen. 3. Ta kontakt med ditt lokala Bestway kundcenter för vidare instruktioner.
E09 104°C (219°F) Fel på säkringen.	Säkringen är utlöst.	Ta kontakt med ditt lokala Bestway kundcenter för vidare instruktioner.
E10 Högt salt-larm.	För mycket salt har tillsatts eller för mycket vatten har avdunstat.	1. Följ instruktionerna i användningsdelen för att få bort saltet. 2. Ta kontakt med ditt lokala Bestway kundcenter för vidare instruktioner.
E11 Lägt salt-larm.	Inte tillräckligt salt för desinficering.	1. Följ instruktionerna i användningsdelen för att tillsätta salt i vattnet. 2. Ta kontakt med ditt lokala Bestway kundcenter för vidare instruktioner.
E12 Vattenläckage inuti pumpen.	Systemet har upptäckt ett vattenläckage inuti pumpen.	Ta kontakt med ditt lokala Bestway kundcenter för vidare instruktioner.
E13 Signal linje avbrott.	Signal linjen mellan kontrollpanelen och eluttaget är inte bra anslutna.	Ta kontakt med ditt lokala Bestway kundcenter för vidare instruktioner.

UNDERHÅLL

OBS! Ditt spa-bad kräver extra luft då och då. Temperaturförändringar mellan dag och natt ändrar trycket i spa-badet och kan orsaka en viss tömning på luft. Var vänlig och följ monteringsinstruktionerna och töm spa-badet innan du fyller på luft för att få det exakta trycket som behövs.

FÖRSIKTIGHET: DU MÅSTE FÖRSÄKRA DIG OM ATT PUMPEN ÄR URKOPPLAD INNAN DU PABÖRJAR SPA-BADETS UNDERHÅLL.

Underhåll filterpatron

OBS! För att försäkra dig om att ditt spa-vatten alltid förblir rent, kontrollera och rengör dina filterpatroner varje dag- följ nedanstående steg.



OBS! Vi rekommenderar att du byter ut filterpatronerna varje vecka. Om filterpatronerna fortfarande är smutsiga och missfärgade ska de bytas ut.

Vattenunderhåll

För att bevara ditt spa-vatten rent är en kemisk balans nödvändig. Det räcker inte med att rengöra filterpatronen för detta ändamål. Var vänlig och följ någon av nedanstående rekommendationer.



1. Använd det inbyggda klorinatorsystemet regelbundet. Saltvattnet passerar genom klorinatorns elektrolytiska cell för att producera klor som omedelbart löses upp i vattnet. Klorret börjar omedelbart att förstöra bakterier, alger och oxiderar annat organiskt material. Första gången du använder det, rekommenderar vi att du ställer in drifttiden på 8 timmar med friskt vatten och använder en testremsa för att försäkra dig om att det fria klorret ligger mellan 2-4ppm. Öka drifttiden om vattentemperaturen är hög eller om spa-badet inte är täckt. Använd klorinatorsystemet var 24:e timme om spa-badet används. Drifttiden är beroende av testresultatet och hur ofta du använder spa-badet.

OBS! Testa koncentrationen på det fria klorret två gånger per dag när du använder klorinatorsystemet för första gången. När koncentrationen av fritt klor blir stabil, ska du göra testen en gång per vecka för att försäkra dig om att det fria klorret ligger mellan 2-4 ppm.

OBS! Använd inte spa-badet när koncentrationen av fritt klor är högre än 4 ppm.

2. Använd pool-kemikalier för att bevara vattenkemin och klor- eller bromtabletter (**OBS:** använd inte granulat) med den kemiska flottören.

Att använda kemiska tabletter (ej inkluderade)

(Referens: Trichlorinafed isocyanuric syra 3-6 g)

Att använda kemiska tabletter (ej inkluderade)

(Läs vidare i instruktionerna för de inköpta flytande kemikalierna)



Vattnet bör bytas ut ungefär var 3:e dag eller längre med vederbörligt kemiskt underhåll. Vattenkvaliteten påverkas av användningsfrekvensen, antal personer som använder spa-badet och allmänt underhåll.

OBS! Vi rekommenderar att du duschar innan du använder ditt Lay-Z-Spa. Kosmetiska produkter, lotion, och andra rester på huden kan snabbt försämra vattenkvaliteten.

OBS! Ta bort den kemiska flottören spa-badet då det används.

VIKTIGT: Efter att det kemiska underhållet har gjorts och innan spa-badets ska användas ska ett test-set användas (medföljer ej) för att kontrollera vattenkemin. Vi rekommenderar att underhålla ditt vatten i enlighet med nedanstående tabell.

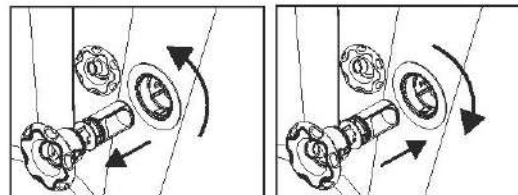
pH	Total alkalinitet	Fritt klor
7,4-7,6	80-120 ppm	2-4 ppm

OBS! Skador som orsakats av kemisk obalans täcks inte av garantin. Pool-kemikalier är potentiellt giftiga och måste hanteras med varsamhet. Det finns allvariga hälsorisker i samband med kemiska ångor och icke korrekta etiketter och lagring av kemiska behållare. Kontakta din lokala pool leverantör för information om kemiskt underhåll. Ägna stor uppmärksamhet åt de instruktioner som tillverkaren av kemikalierna har givit. Skador på spa-bad orsak av felaktig användning av kemikalier och misskötsel av spa-vattnet täcks inte av garantin.

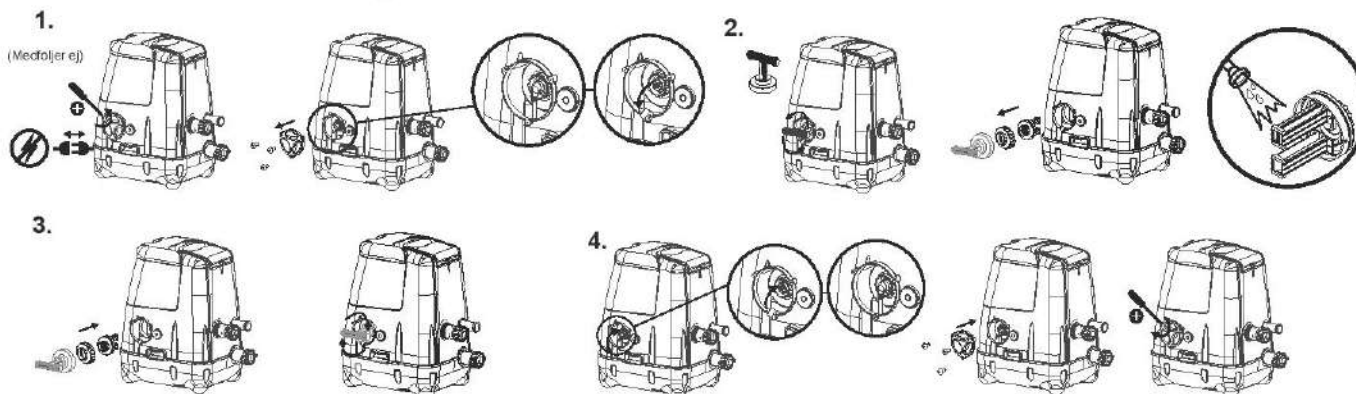
Jet Nozzle Underhåll

1. Vrid tills du hör ett "klick" ljud och dra ut Jet Nozzle för att ta bort skräp.

2. För in det och vrid det medsols för att sätta tillbaka det.



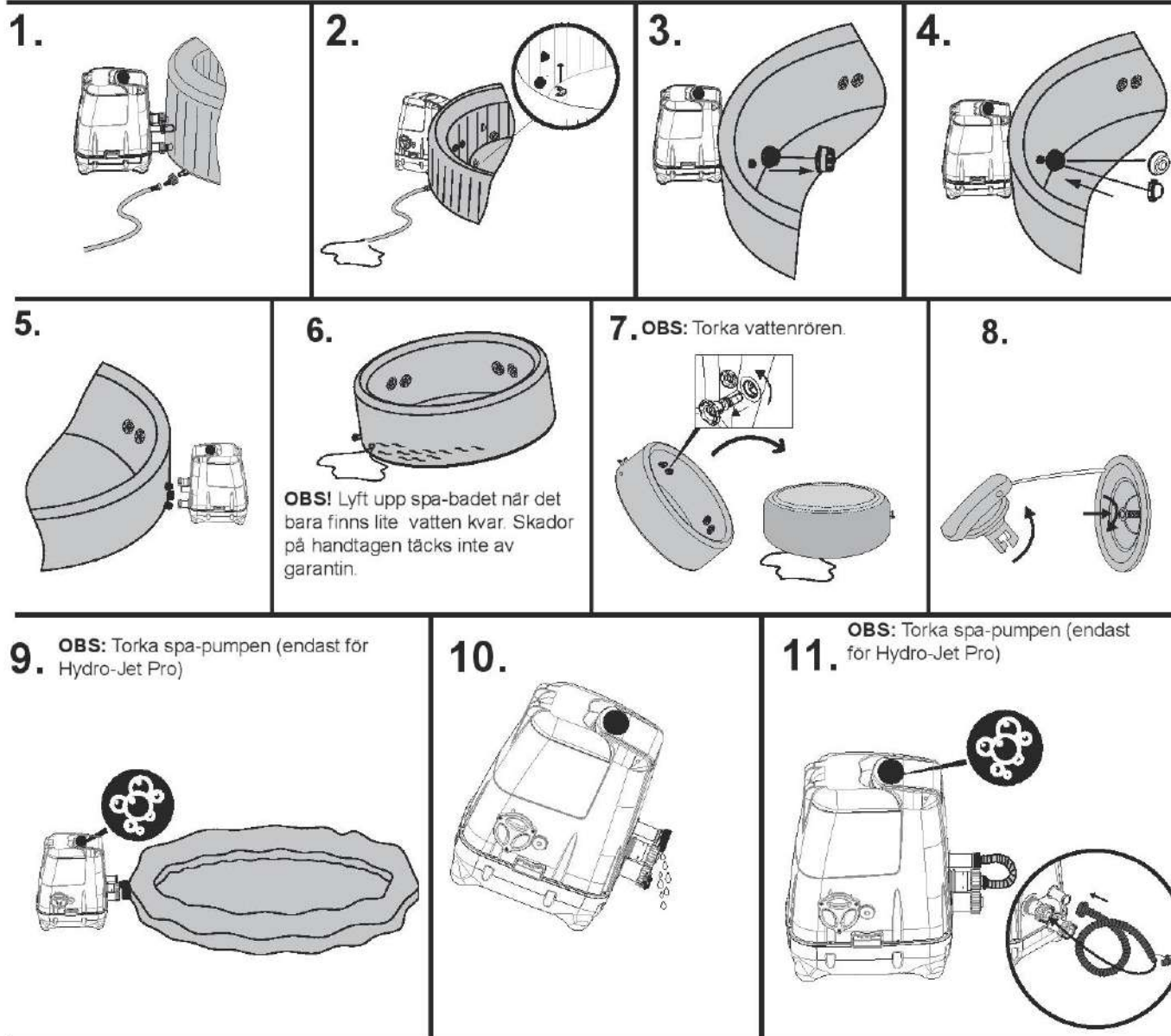
Underhåll för saltklorinator systemet



OBS! Om det fortfarande finns avlagringar efter rengöring, placera elektrolyscellen i en behållare, håll köksvinäger i behållaren för att blötlägga titanplattorna i ungefär och rengör sedan igen. Repetera detta vid behov.

Tömma spa-badet

OBS! Bilderna är endast avsedda som förklaring. De kan skilja sig från den faktiska produkten. Är ej skalenäliga.



Rengöring av spa-badet

Rengör spa-badets väggar från rester och upplösta beståndsdelar badkläder och kemikalier. Använd tvål och vatten för att rengöra väggarna och skölj sedan noggrant.

OBS! ANVÄND INTE hårda borstar eller slipande rengöringsmedel.

Reparera spa-badet

För spa-badets uppblåsbara överdrag

Om det har gått hål på spa-badet, använd den medföljande extra kraftiga lagningslappen.

1. Rengör området som ska lagas.
2. Ta försiktigt bort baksidan av lappen.
3. Tryck lappen över området som ska lagas.
4. Vänta i 30 minuter innan du fyller den med luft.

För Spa liner

Om spa-badet har fått en reva eller ett hål, använd den medföljande lagningslappen av PVC och limma fast den enligt följande steg:

1. Rengör och torka området som ska lagas.
2. Klipp till den bifogade PVC-lappen i lämplig storlek.
3. Täck den ena sidan av den nyligen utskurna lappen med limmet (ej inkluderat). Se till att limmet är jämnt fördelat.
4. Vänta i 30 sekunder och placera sedan den utskurna lappen med limmet över det skadade området.
5. Jämn ut alla luftbubblor som eventuellt kan finnas på undersidan och tryck ner den och pressa hårt i två minuter.
6. Vänta i 30 minuter innan du fyller den med luft.
7. Produkten är åter redo att användas. Upprepa processen om ytterligare läckor uppstår.

Lay-Z-Spa förvaring



Se till att spa-badet och pumpen är fullkomligt torra innan förvaringen. Detta är nödvändigt för att förlänga livet på spa-badet. Vi rekommenderar att använda pumpen för att blåsa spa-badet, pumpen och rören torra. Avlägsna filter-seten och släng de använda filterpatronerna. Sätt fast de två propp locken igen på spa-badets in- och utloppsventiler. Man rekommenderar att förvara spa-badet i dess originalförpackning på en varmt och torr plats.

OBS! Plast blir skört och kan lätt gå sönder när det utsätts för temperaturer under noll-strecket. Spa-badet kan skadas allvarligt om det utsätts för minusgrader. Olämpligt vinterförvar av ditt spa-bad kan göra att garantin inte blir giltig.



Betydelsen av symbolen av den överkorsade soptunnan: Kassera inte elektriska apparater som osorterat avfall utan sortera dem rätt. Kontakta din lokala myndighet för mer information om tillgängliga insamlingsystem. Om elektriska apparater deponeras eller kastas på soptipp kan farliga ämnen läcka ut i grundvattnet och komma in i näringskedjan, vilket är skadligt för din hälsa och ditt välmående. När du ersätter gamla apparater med nya är försäljaren lagligt bunden att ta tillbaka din gamla apparat för återvinning utan extra avgift.

FELSÖKNING Bestway strävar efter att tillhandahålla den bästa problemfria spa-baden på marknaden. Tveka inte att kontakta din auktoriserade återförsäljare eller din auktoriserade säljare om du har några som helst problem. Här är några användbara tips för att hjälpa dig att diagnostisera och korrigera några vanliga källor till problem.

Problem	Troliga orsaker	Lösningar
Pumpen fungerar inte	<ul style="list-style-type: none"> - Strömfel - Strömkretsen bruten 	<ul style="list-style-type: none"> - Kontrollera strömkällan - Ta kontakt med ditt lokala Bestway kundcenter för vidare instruktioner.
Pumpen värms inte upp korrekt	<ul style="list-style-type: none"> - Temperaturen för lågt inställd - Smutsig filterpatron - Värmeiseringen är avskuren - Värmeelementet startar inte 	<ul style="list-style-type: none"> - Ställ in värmesystemet på en högre temperatur (se avsnittet om Pump-drift) - Rengör/byt ut filterpatronen (Se avsnittet om Rengöring och utbyte av filterpatroner) - Tryck på återställningsknappen på pumpen (se avsnittet Pump-drift) - Ta kontakt med ditt lokala Bestway kundcenter för vidare instruktioner.
Lay-Z-Massages system fungerar inte	<ul style="list-style-type: none"> - Luftpumpen är överhettad - Lay-Z-Spa Massage system stannar automatiskt - Luftpumpen är trasig 	<ul style="list-style-type: none"> - Koppla ur pumpen och vänta två timmar tills pumpen är nedkyld. Sätt i pluggen och tryck på Lay-Z-Massages systemknapp - Tryck på Lay-Z-Massages systemknapp för att återaktivera - Ta kontakt med ditt lokala Bestway kundcenter för vidare instruktioner.
Pumpens adaptrar är inte i jämnhöjd med spa-badets adaptrar	<ul style="list-style-type: none"> - Ett kännetecken för PVC är att det ändrar form, vilket är normalt. 	<ul style="list-style-type: none"> - Höj pumpen med trä eller annat isolerande material för att få pumpens adaptrar i jämnhöjd med spa-badets adaptrar
Spa-pool läckage	<ul style="list-style-type: none"> - Spa-badet har en reva eller ett hål - Luftventilen sitter löst 	<ul style="list-style-type: none"> - Använd den medföljande lagningslappen - Använd tvålvatten, täck luftventilen för att kontrollera om det läcker ut luft. Om så är fallet, använd då den medföljande skiftryckeln för att göra fast luftventilen genom att följa dessa steg: <ol style="list-style-type: none"> 1. Töm spa-badet på luft. 2. Håll baksidan av luftventilen med ena handen från insidan av spa-badets vägg och vrid skiftryckeln medsols.
Vattnet är inte rent	<ul style="list-style-type: none"> - Otillräcklig filtreringstid - Smutsig filterpatron - Felaktigt vattenunderhåll - Hygienesystemet fungerar inte - Titanplattan var täckt. - Inte tillräckligt med renhållningstid 	<ul style="list-style-type: none"> - Öka filtreringstiden - Rengör/byt ut filterpatronen (se avsnittet om Rengöring och utbyte av filterpatroner) - Se kemikalietylverkarens anvisningar - Kontrollera strömtillförseln eller kontakta ditt lokala Bestway kundcenter för att få instruktioner. - Rengör titanplattorna (se avsnittet för Underhåll av saltklorinator systemet)
Testen på jordfelsbrytaren misslyckades	Ditt spa-bad har en defekt	Ta kontakt med ditt lokala Bestway kundcenter och returnera ditt spa-bad.
HydroJet systemet fungerar inte	<ul style="list-style-type: none"> - Vattenpumpen är överhettad - Vattenpumpen är trasig 	<ul style="list-style-type: none"> - Koppla ur pumpen och vänta två timmar tills pumpen är nedkyld. Koppla in och försök på nytt. - Ta kontakt med ditt lokala Bestway kundcenter för vidare instruktioner.
Kontrollpanelen fungerar inte	<ul style="list-style-type: none"> - Kontrollpanelen har ett auto-lås som aktiveras efter 5 minuters inaktivitet. LED-displayen har en ikon:  - Om lås-ikonen är markerad är kontrollpanelen låst. - Kontrollpanelen är inte aktiverad 	<ul style="list-style-type: none"> - För att låsa upp kontrollpanelen trycker du på  knappen i 3 sekunder. Om kontrollpanelen inte låser upp sig bör du starta om pumpen – dra ur sladden och sätt in den igen. - Tryck på av/på -knappen i 2 sekunder. - Om problemet kvarstår, kontakta ditt lokala Bestway kundcenter för att få instruktioner.
Vilken typ av kemikalier bör användas för vattenunderhåll?	Kontakta din lokala leverantör av kemikalier för information om kemiskt underhåll. Ägna stor uppmärksamhet åt de instruktioner som tillverkaren av kemikalierna har givit.	
Vatten läcker från adaptrarna mellan pumpen och spa-badet	Sätt i de två propp locken på spa-badets portar för att förhindra vatten från att rinna ut, och koppla bort pumpen. Kontrollera och se till att tätningarna är korrekt placerade inuti pumpens adaptrar. Om tätningarna saknas eller inte har monterats korrekt, kontakta ditt lokala Bestway kundcenter för att få instruktioner. Om tätningarna sitter på rätt plats, koppla pumpen till spa-badet igen och dra åt adaptrarna.	

Tillverkaren BESTWAY®s begränsade garanti

Produkten du har köpt levereras med en begränsad garanti. Bestway® står bakom sin kvalitetsgaranti och försäkrar, genom en utbytesgaranti, att din produkt kommer att vara fri från tillverkningsfel.

För att göra ett garantianspråk måste detta formulär fyllas i och skickas in med en kopia av ditt inköpskvitto till din lokala Bestway Kundcenter. Ta kontakt med din lokala Bestway Kundservice innan du skickar några dokument. De kommer att ge dig fullständiga instruktioner om vad som krävs för din fordran. Bestway® kommer inte att byta ut några produkter som anses ha blivit skadade genom försummelse eller att de har använts utanför ägarhandledningens riktlinjer.

Bestways garanti täcker tillverkningsfel som upptäcks under själva upppackningen av produkten eller under användning i enlighet med rekommendationerna i användarmanualen. Den här garantin tillämpas enbart på produkter som inte har blivit modifierats av en tredje part. Produkten måste lagras och hanteras i enlighet med tekniska rekommendationer.

Garantin täcker inte skador orsakade genom felaktig användning, missbruk, försummelse, inklusive men inte begränsat till kollision, brand, felaktig volt-användning, för hög värme-exponering, inkorrekt installation, felaktig elinstallation eller testning, olämplig lagring.

Ersättningar och reparationer förlänger inte garantins giltighetstid. Garantins startdatum är det försäljningsdatum som inköpskvitto/fakturan visar.

Välj ditt SPA



Palm Springs



Hawaii

TILL: Bestway® Service Department

Inköpsdatum: _____

DATUM: _____

Kundnummer: _____

FAX/E-POST/TEL: Se ditt land enligt den information du hittar på baksidan eller på vår hemsida.

www.bestwaycorp.com

Ange dina fullständiga adressuppgifter. **Obs:** Ofullständiga adressuppgifter kommer att leda till försenade leveranser.

Bestway förbehåller sig rätten att ta betalt för återleverans av olevererade paket där felet ligger hos mottagaren.

OBLIGATORISKA UPPGIFTER – SKRIV LEVERANSADRESS

Namn: _____ Adress: _____

Postkod: _____ Återförsäljare: _____

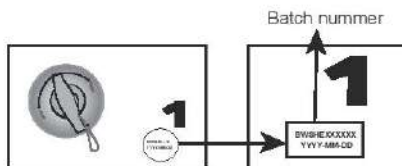
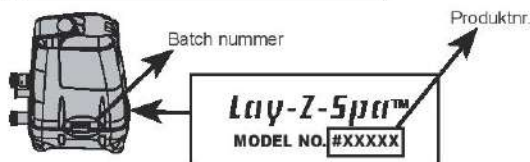
Land: _____ Stad: _____

Mobiltelefon: _____ Telefon: _____

Fax: _____ E-post: _____

SPAPUMP Batchnummer: _____ SPAPOOL Batchnummer: _____

SPAPUMP Produktnr: _____



Alla bilder är enbart som illustration. Ej skalenliga.

Problembeskrivning

- Spat läcker Vattenfiltersystemet fungerar inte Värmesystemet fungerar inte
- Kontrollpanelen visar fel som inte kan åtgärdas Lay-Z-Massage System fungerar inte
- Pumpen läcker Adapter läcker Saknade delar – Använd koden för den saknade delen, vilken du hittar i manualen.
- Övrigt (vänligen beskriv)

VIKTIGT: ENDA SKADADE DELAR KOMMER ATT ERSÄTTAS, INTE HELA PAKETET.

Bestway förbehåller sig rätten att kräva fotografiskt bevis för defekta delar eller att kräva att föremålet skickas för testning.

För att kunna hjälpa dig på bästa sätt ber vi dig att se till att alla uppgifter du anger är kompletta.

FÖR FAQ, MANUALER, FILMER OCH RESERVDELAR, BESÖK VÅR HEMSIDA www.bestwaycorp.com

FILMER FINNS ÄVEN TILLGÄNGLIGA PÅ VÅR BESTWAY-KANAL PÅ YOUTUBE: www.youtube.com/user/BestwayService

Bestway

